

[54] HAND MIXER

D. 291,647 9/1987 Steinkamp D7/376 X

[75] Inventors: Aidan Petrie; Stephen Lane, both of Boston, Mass.

[73] Assignee: International Consumer Brands, Inc., Trumbull, Conn.

[**] Term: 14 Years

[21] Appl. No.: 154,407

[22] Filed: Feb. 10, 1988

[52] U.S. Cl. D7/379; D7/376

[58] Field of Search D7/51, 309, 372, 376-379, D7/412-415

[56] References Cited

U.S. PATENT DOCUMENTS

- D. 203,850 2/1966 Chieda D7/379
- D. 220,883 6/1971 Steinkamp D7/379
- D. 242,109 11/1976 da Silva, Jr. d7/379

OTHER PUBLICATIONS

Evans Catalog 1984-1985, p. 206, Hamilton Beach 3-Speed Hand Mixer (5).

Primary Examiner—Bruce W. Dunkins

Assistant Examiner—Janice E. Seeger

[57] CLAIM

The ornamental design for a hand mixer, as shown and described.

DESCRIPTION

FIG. 1 is a perspective view of a hand mixer on a reduced scale showing our new design; FIG. 2 is a front elevational view thereof; FIG. 3 is a top plan view thereof; FIG. 4 is a side elevational view, the other side being a mirror image thereof. FIG. 5 is a rear elevational view thereof; and FIG. 6 is a bottom plan view thereof.

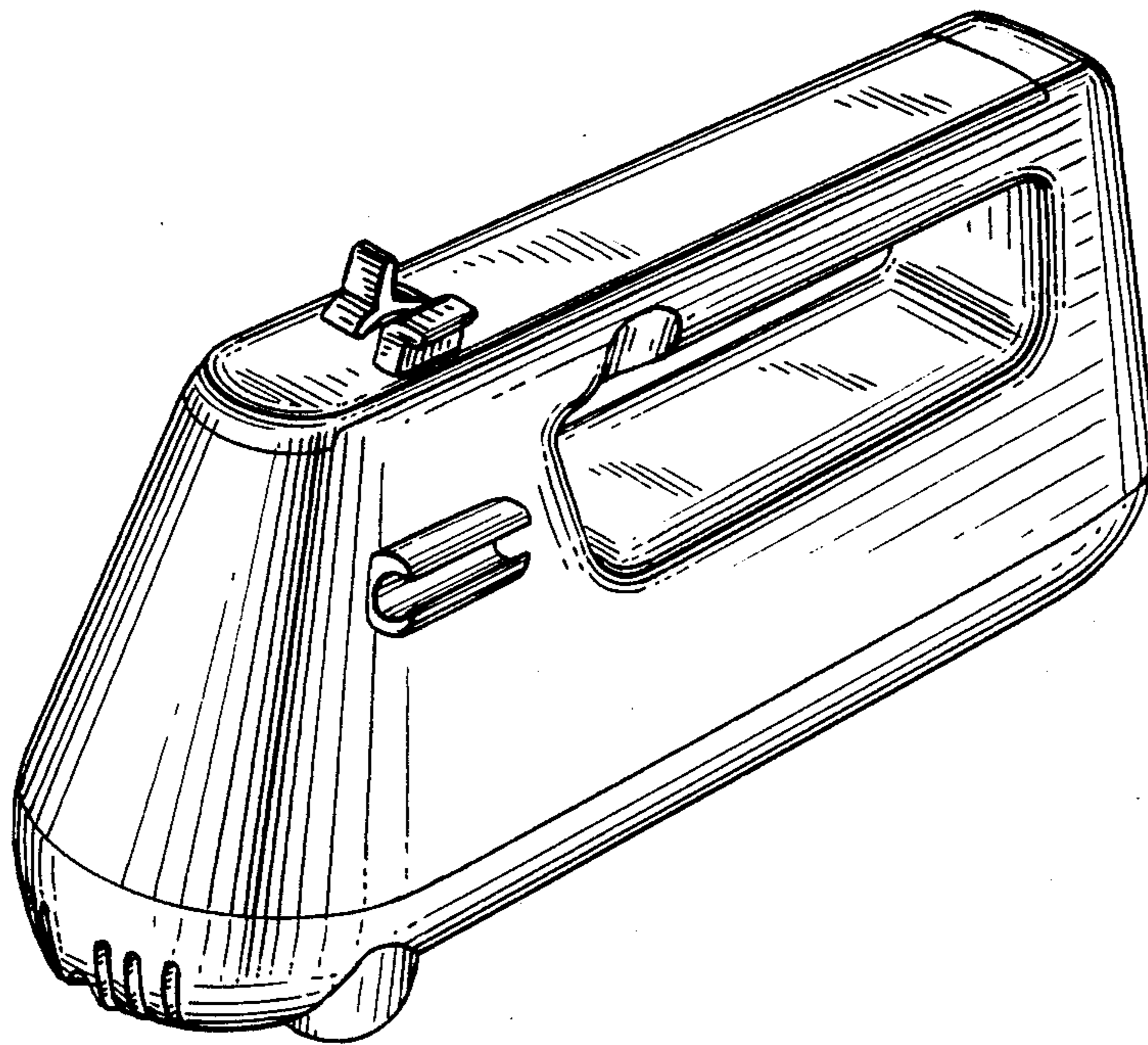


FIG. 1

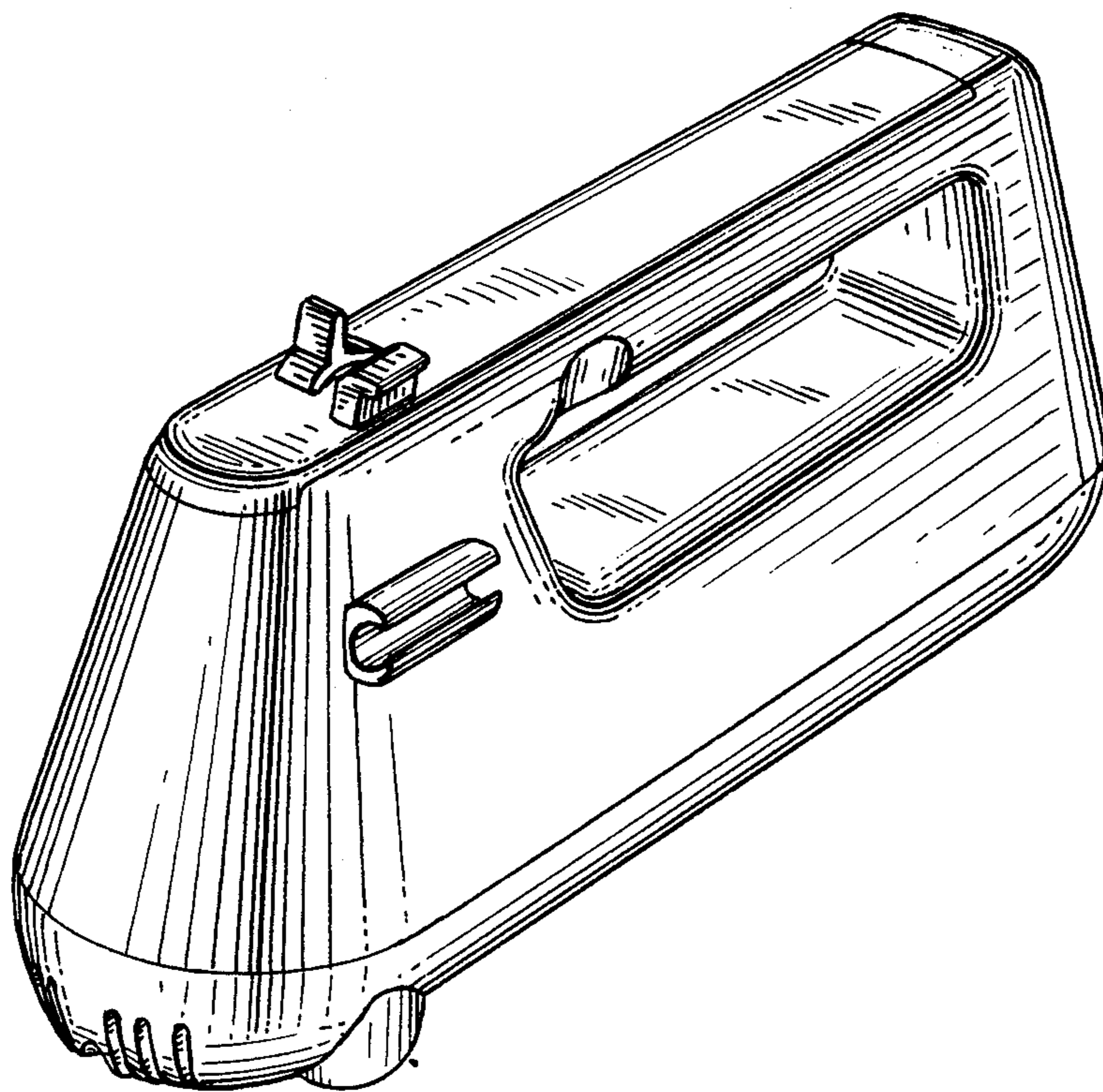


FIG. 2

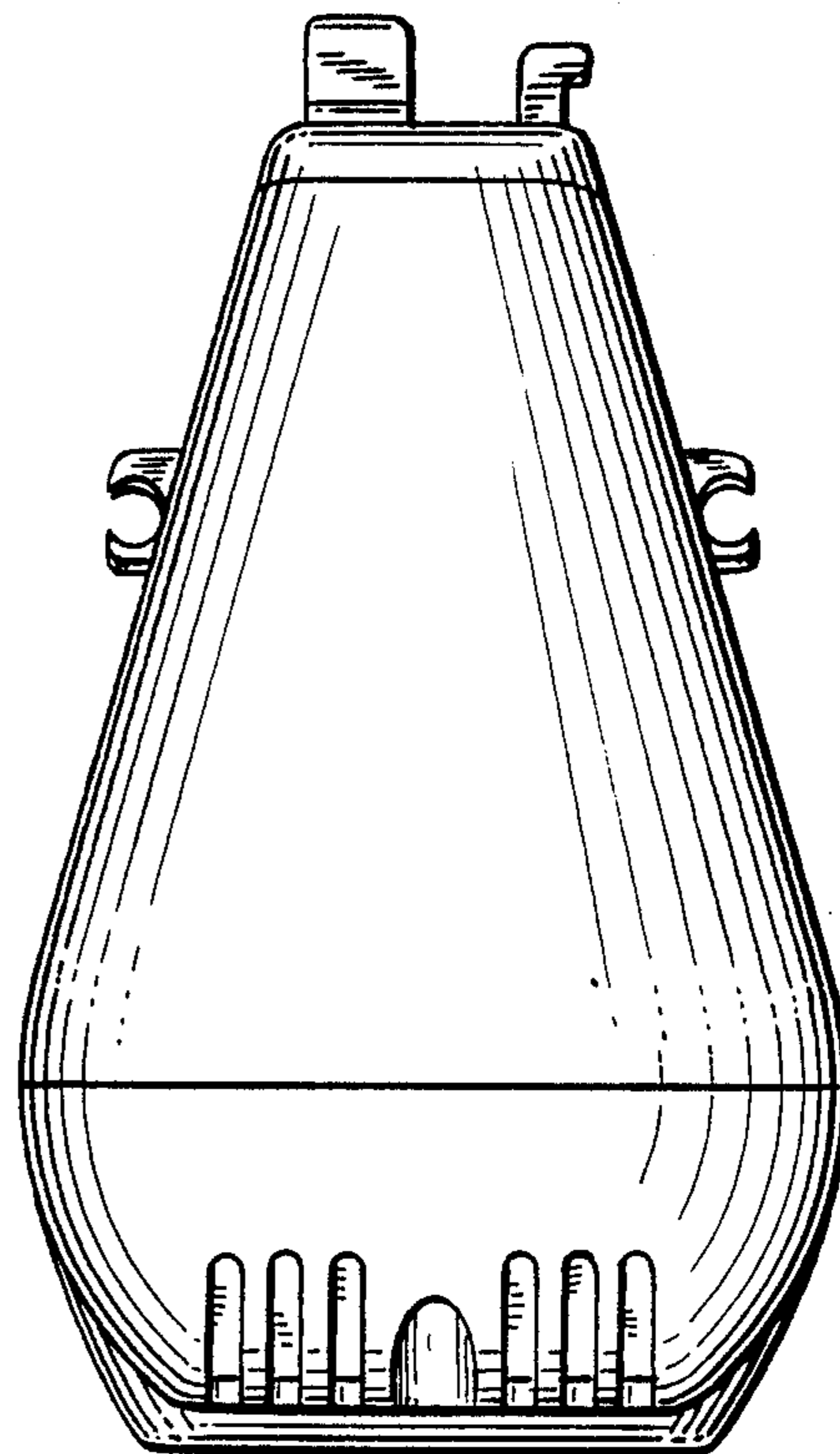


FIG. 3

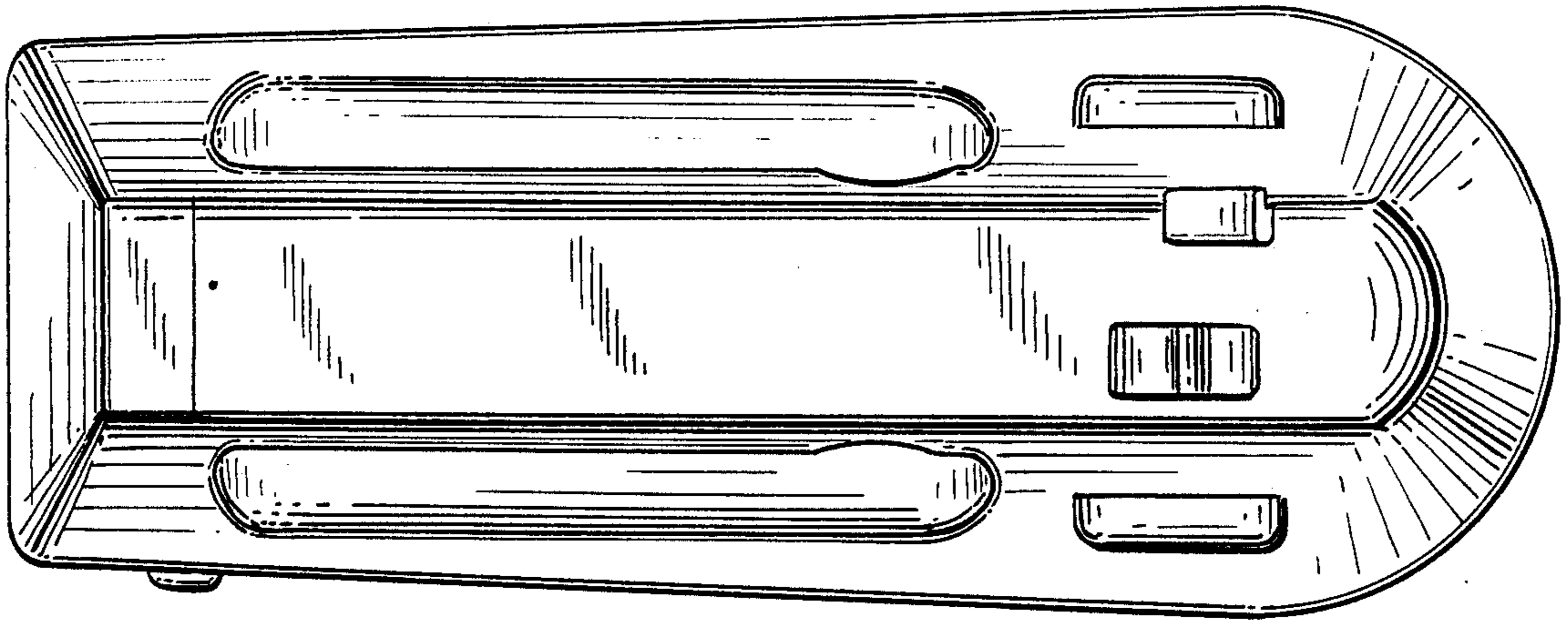


FIG. 4

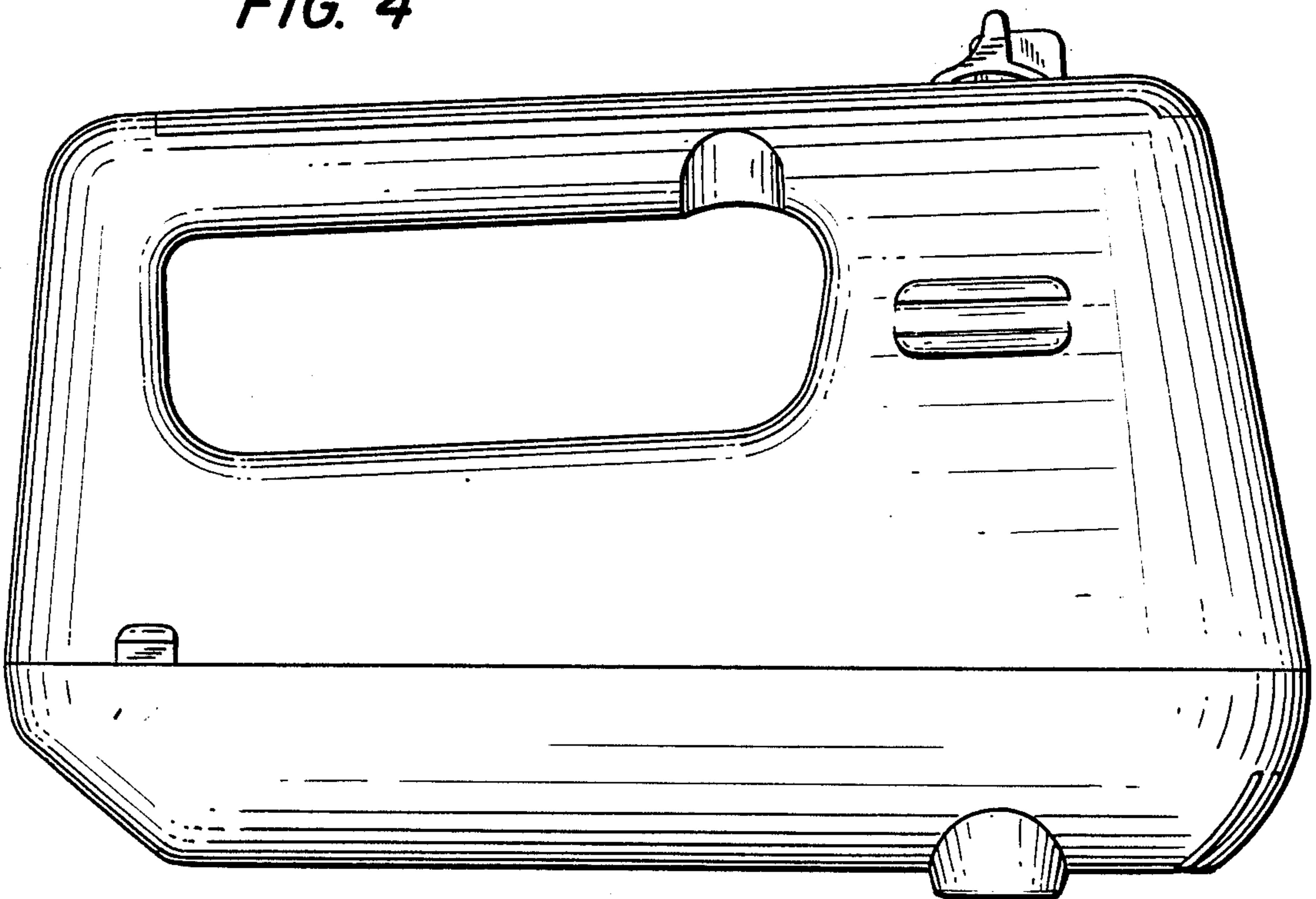


FIG. 5

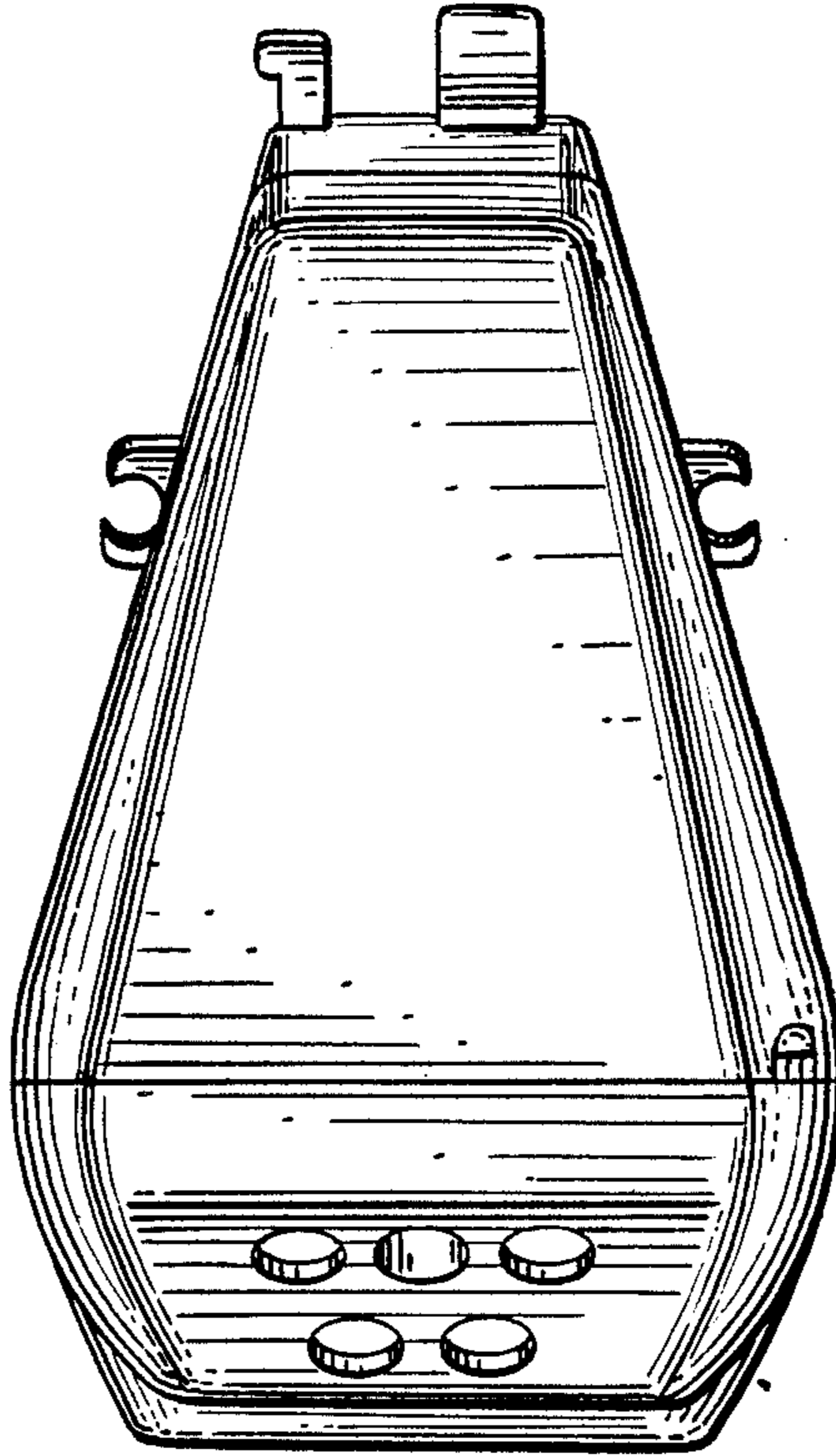


FIG. 6

