

United States Patent [19]

Kokubo

[11] Patent Number: **Des. 309,078**

[45] Date of Patent: **** Jul. 10, 1990**

[54] **MICROWAVE OVEN**

[75] Inventor: **Mami Kokubo, Osaka, Japan**

[73] Assignee: **Sharp Corporation, Osaka, Japan**

[*] Notice: The portion of the term of this patent subsequent to Apr. 18, 2003 has been disclaimed.

[**] Term: **14 Years**

[21] Appl. No.: **130,731**

[22] Filed: **Dec. 9, 1987**

[30] **Foreign Application Priority Data**

Jun. 12, 1987 [JP] Japan 62-24267[U]

[52] U.S. Cl. **D7/351**

[58] Field of Search D7/350, 351;
219/10.55 R, 10.55 A, 10.55 B, 10.55 C, 10.55
D, 10.55 F, 10.55 M

[56] **References Cited**

U.S. PATENT DOCUMENTS

D. 190,609 6/1961 Campbell, III et al. D7/350

D. 241,602 9/1976 Hanson et al. D7/350
D. 245,470 8/1977 Ernest D7/350
D. 253,271 10/1979 Rakocy D7/350
D. 295,358 4/1988 Kubo et al. D7/351
D. 296,858 7/1988 Ooki D7/350
D. 300,711 4/1989 Moritani D7/350

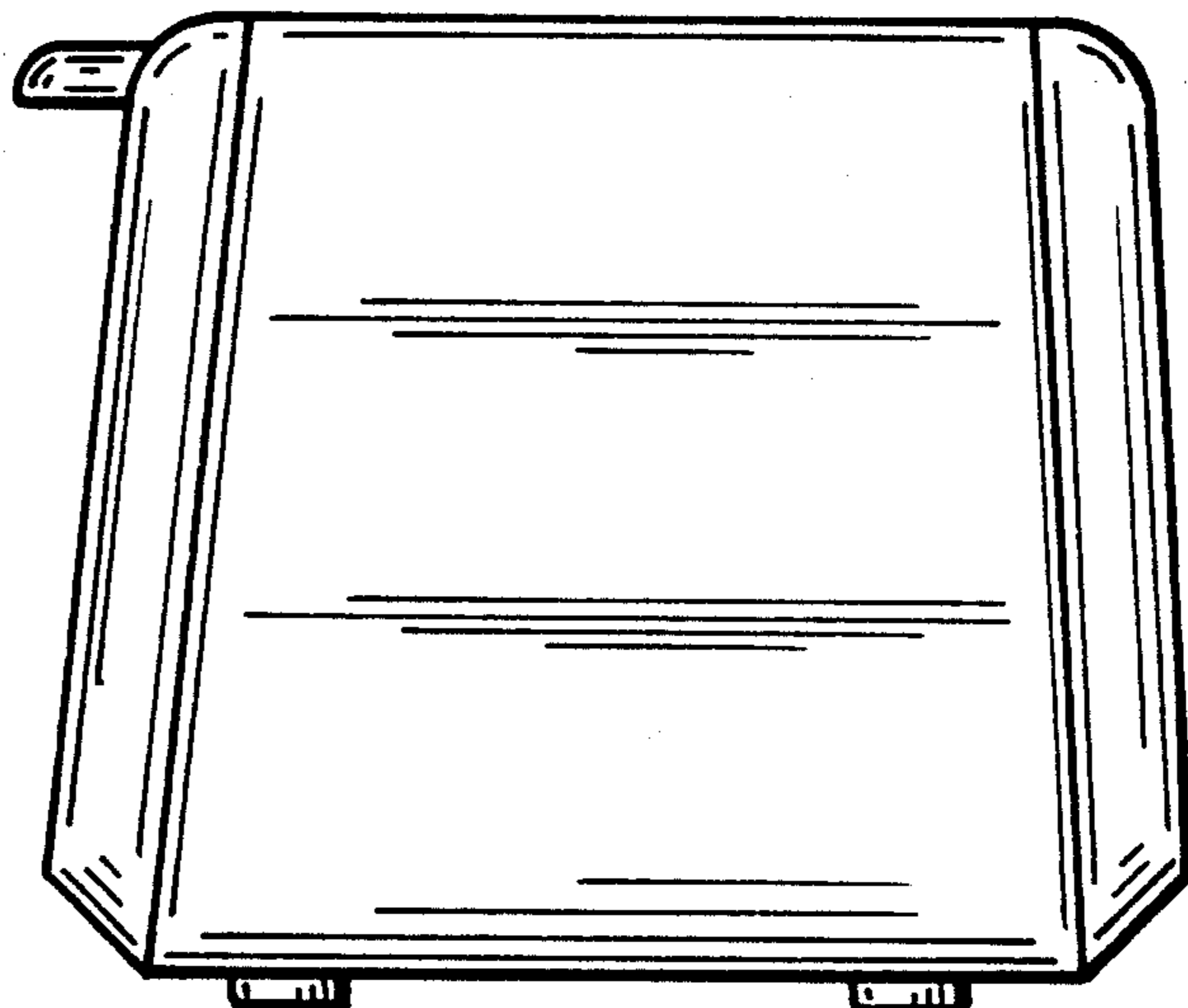
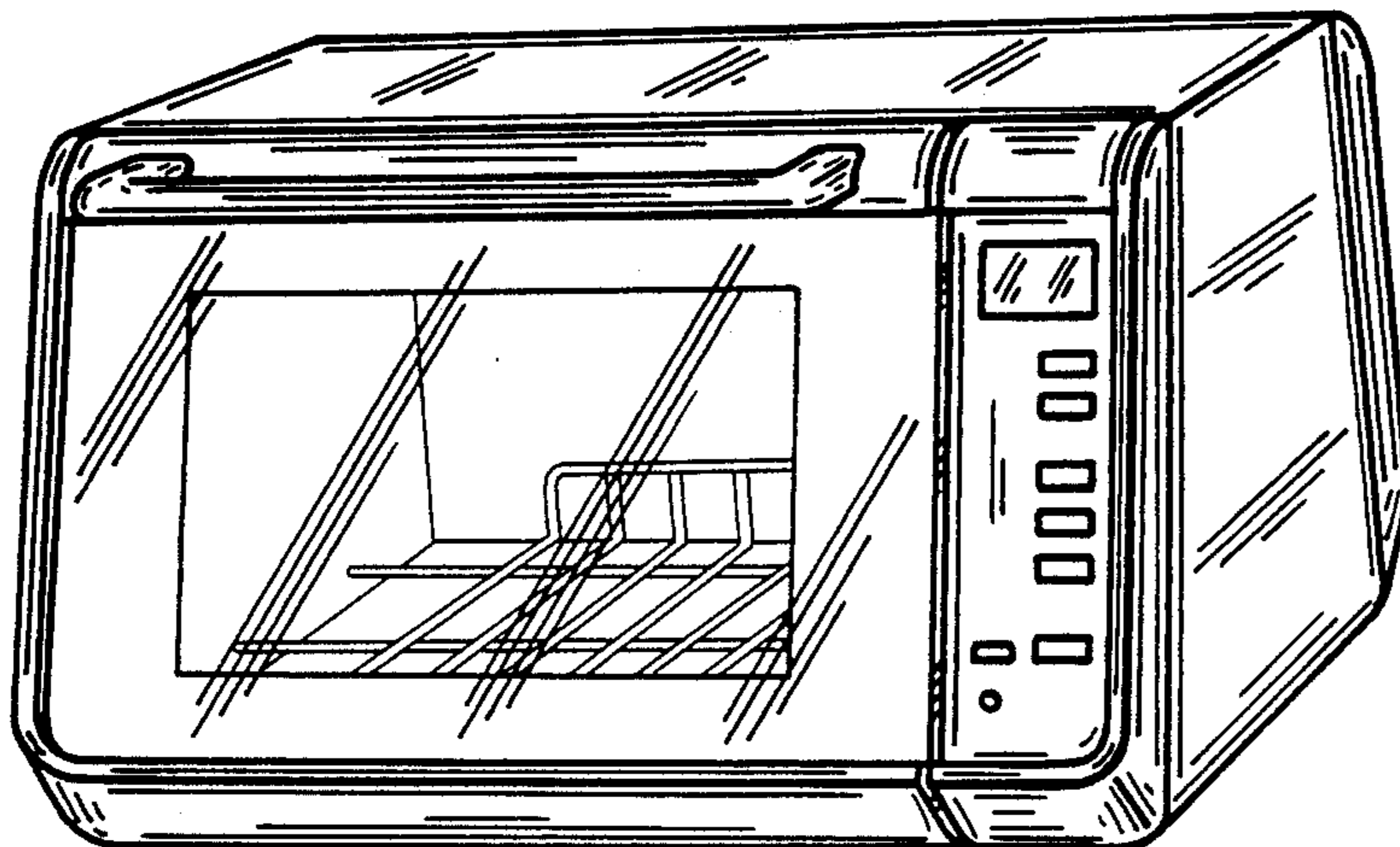
Primary Examiner—A. Hugo Word
Assistant Examiner—Ruth McInroy
Attorney, Agent, or Firm—Flehr, Hohbach, Test,
Albritton & Herbert

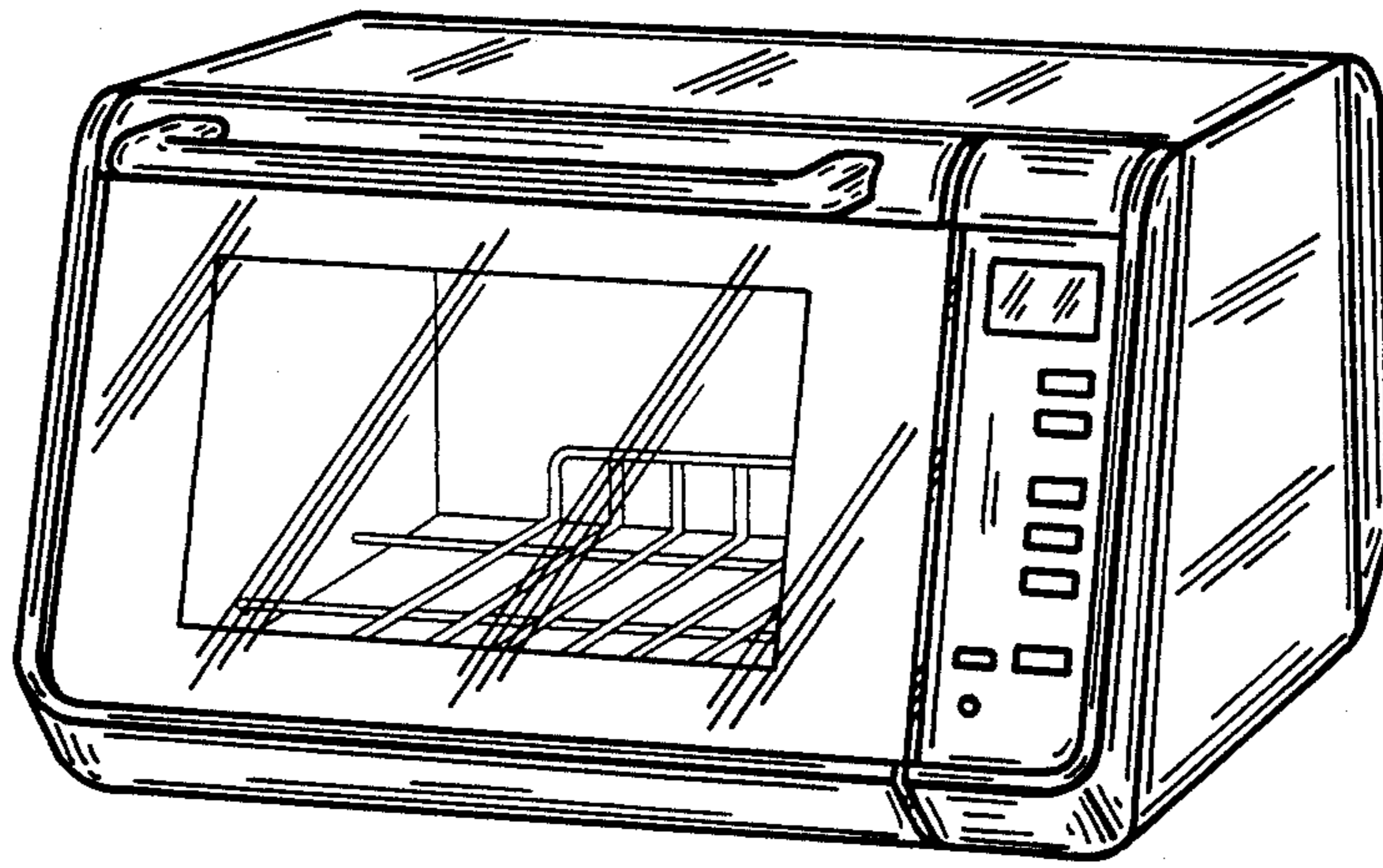
[57] **CLAIM**

The ornamental design for a microwave oven, as shown and described.

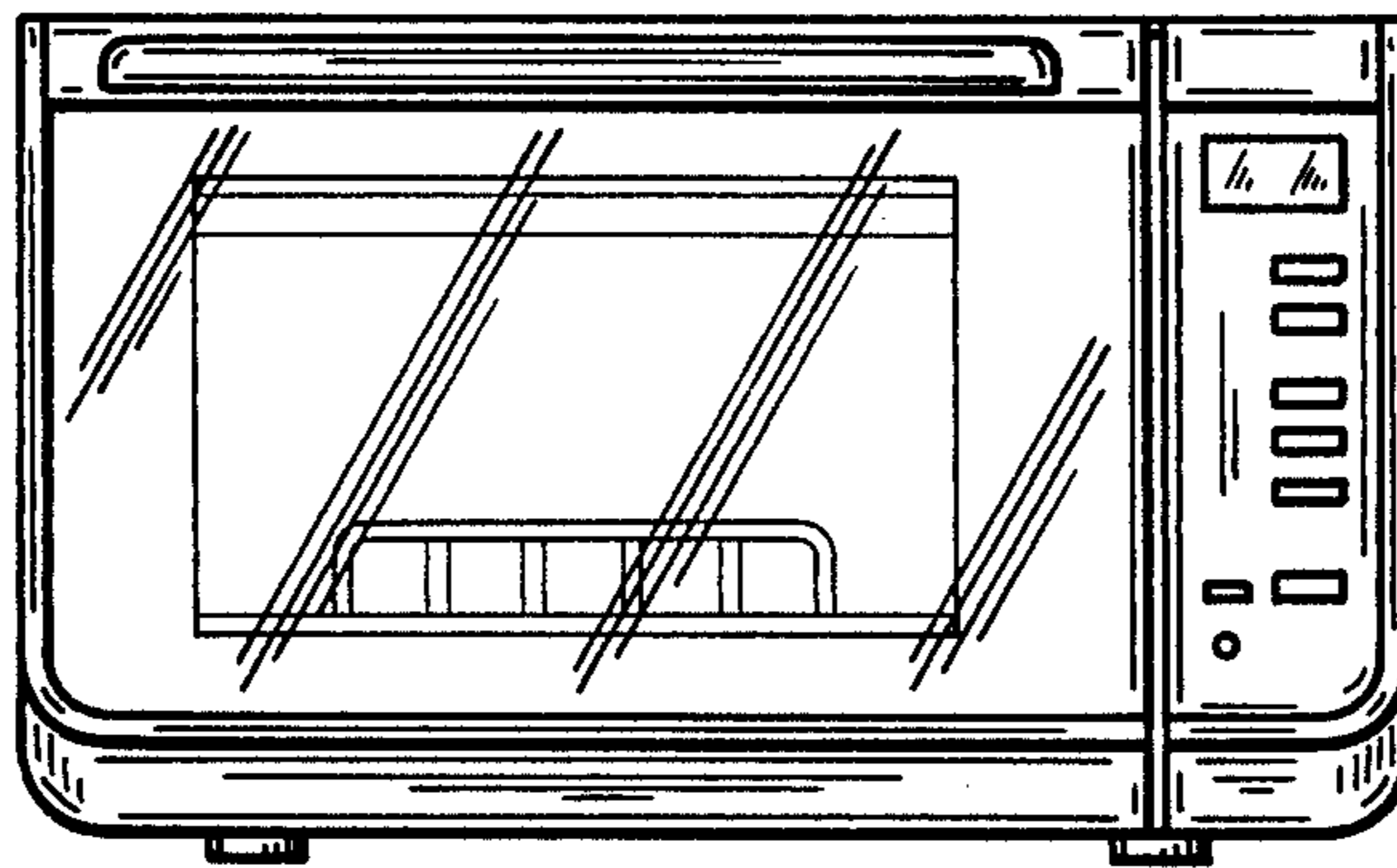
DESCRIPTION

FIG. 1 is a perspective view of a microwave oven, showing my new design;
FIG. 2 is a front elevational view thereof;
FIG. 3 is a front elevational view thereof with the door open;
FIG. 4 is a rear elevational view thereof;
FIG. 5 is a top plan view thereof;
FIG. 6 is a bottom plan view thereof; and
FIG. 7 is a right side elevational view thereof;

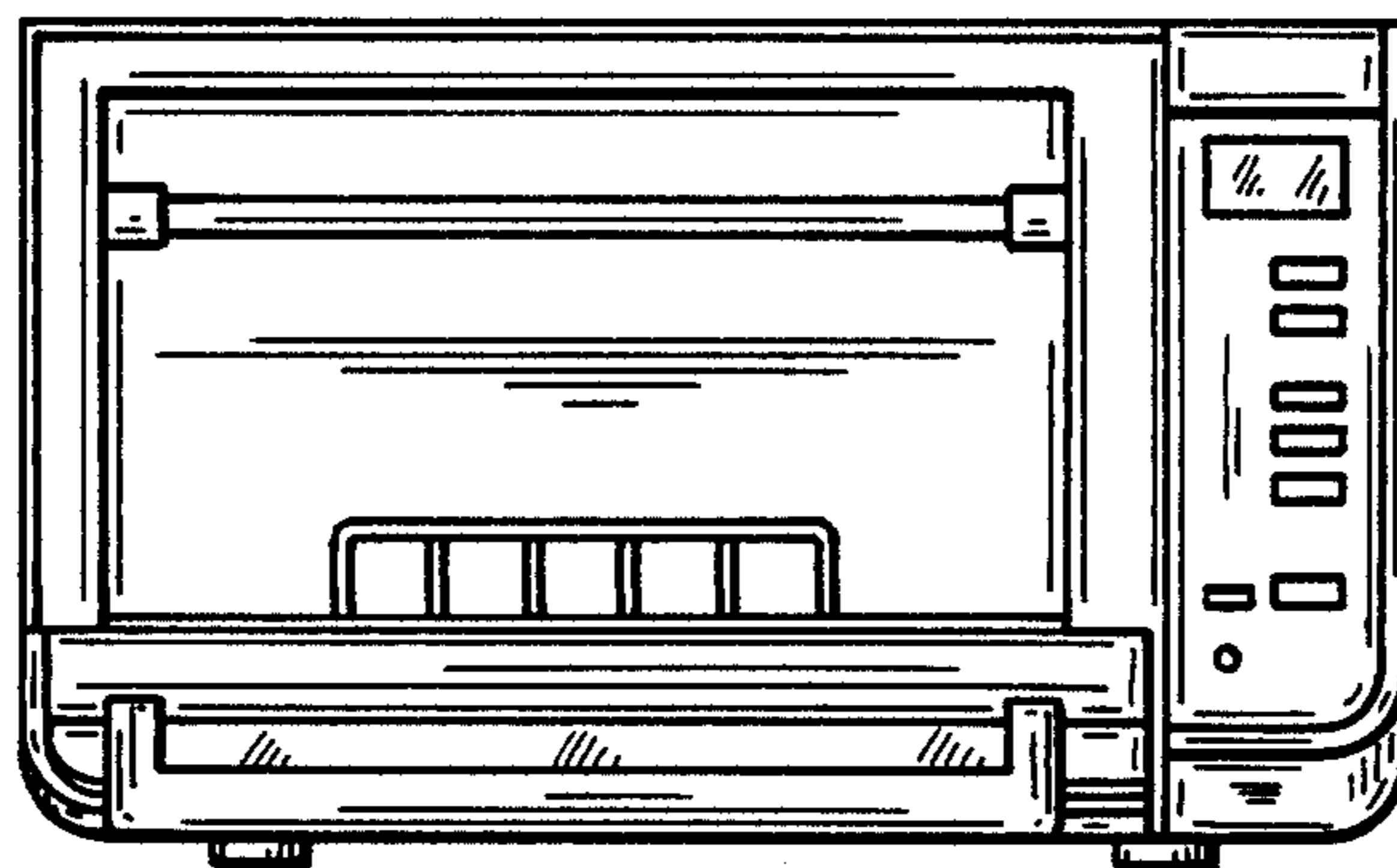




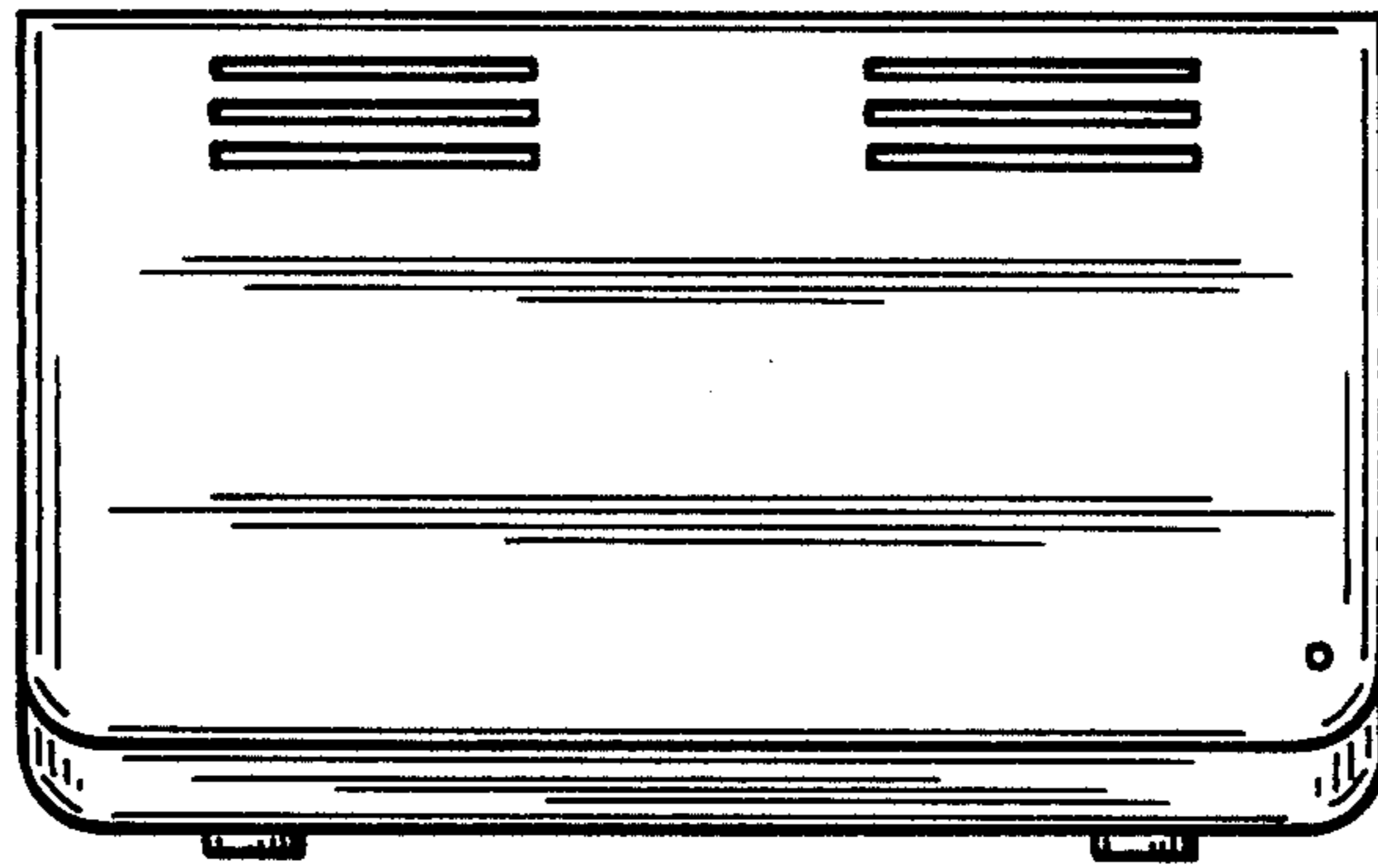
FIG_1



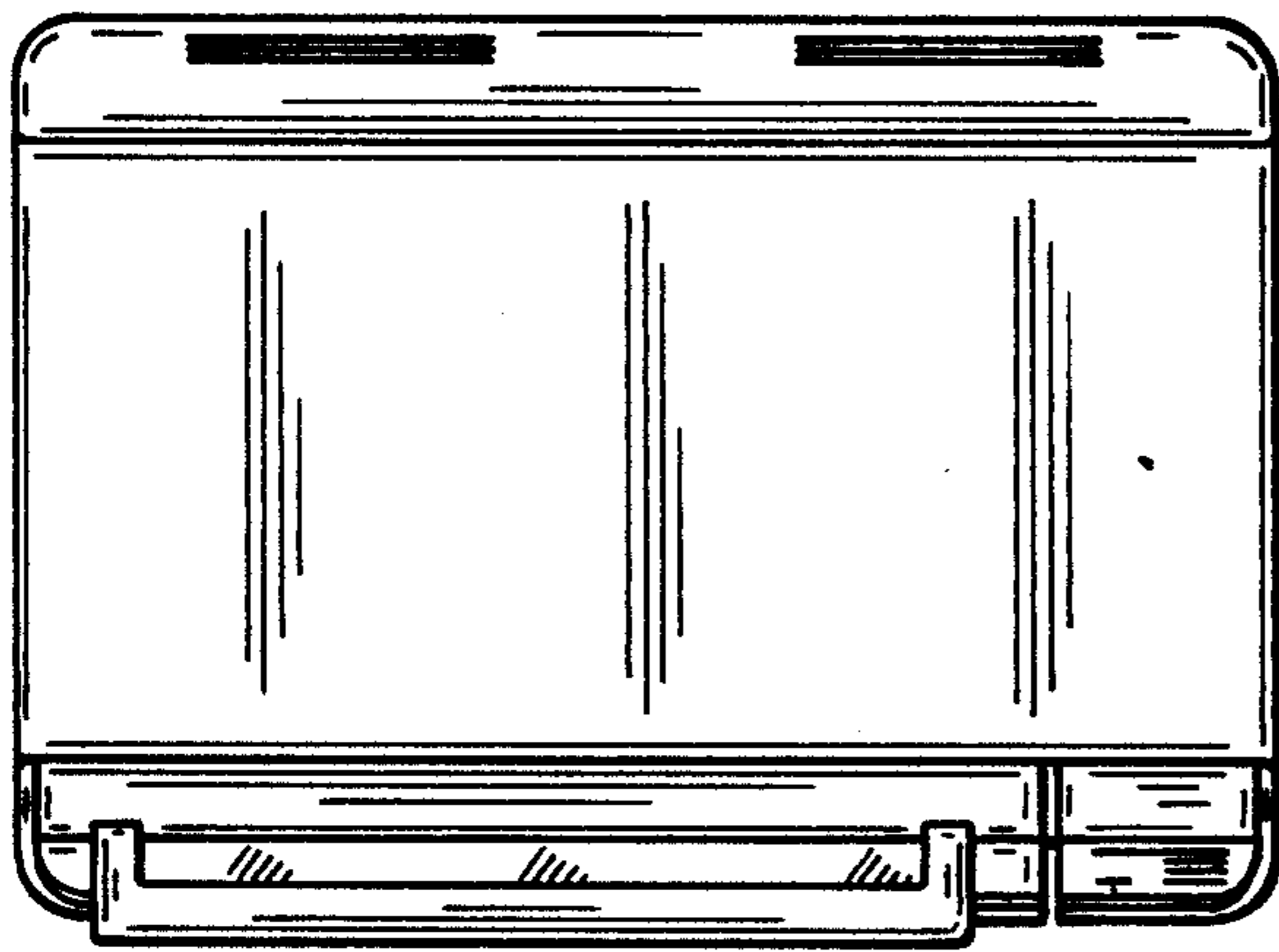
FIG_2



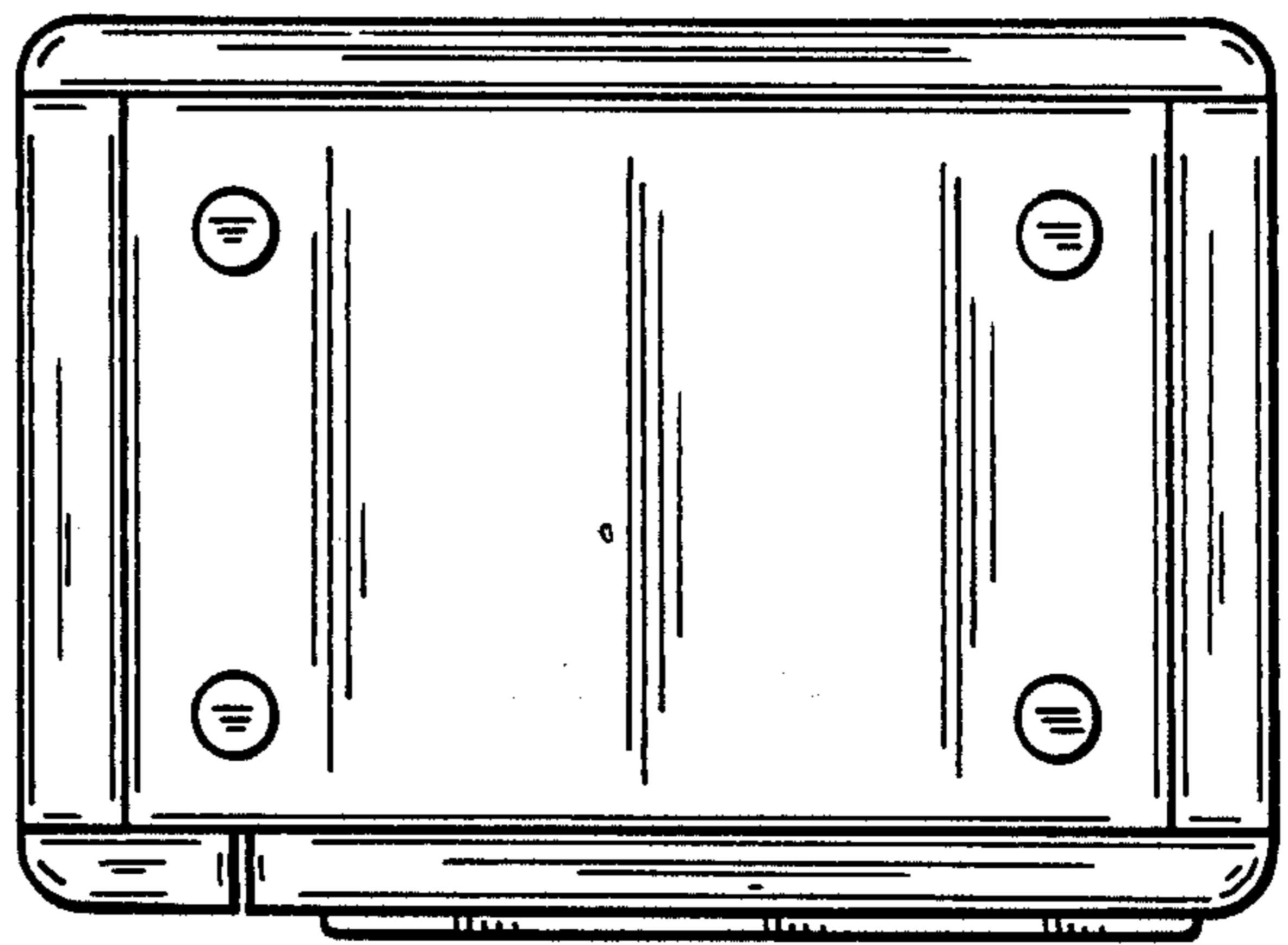
FIG_3



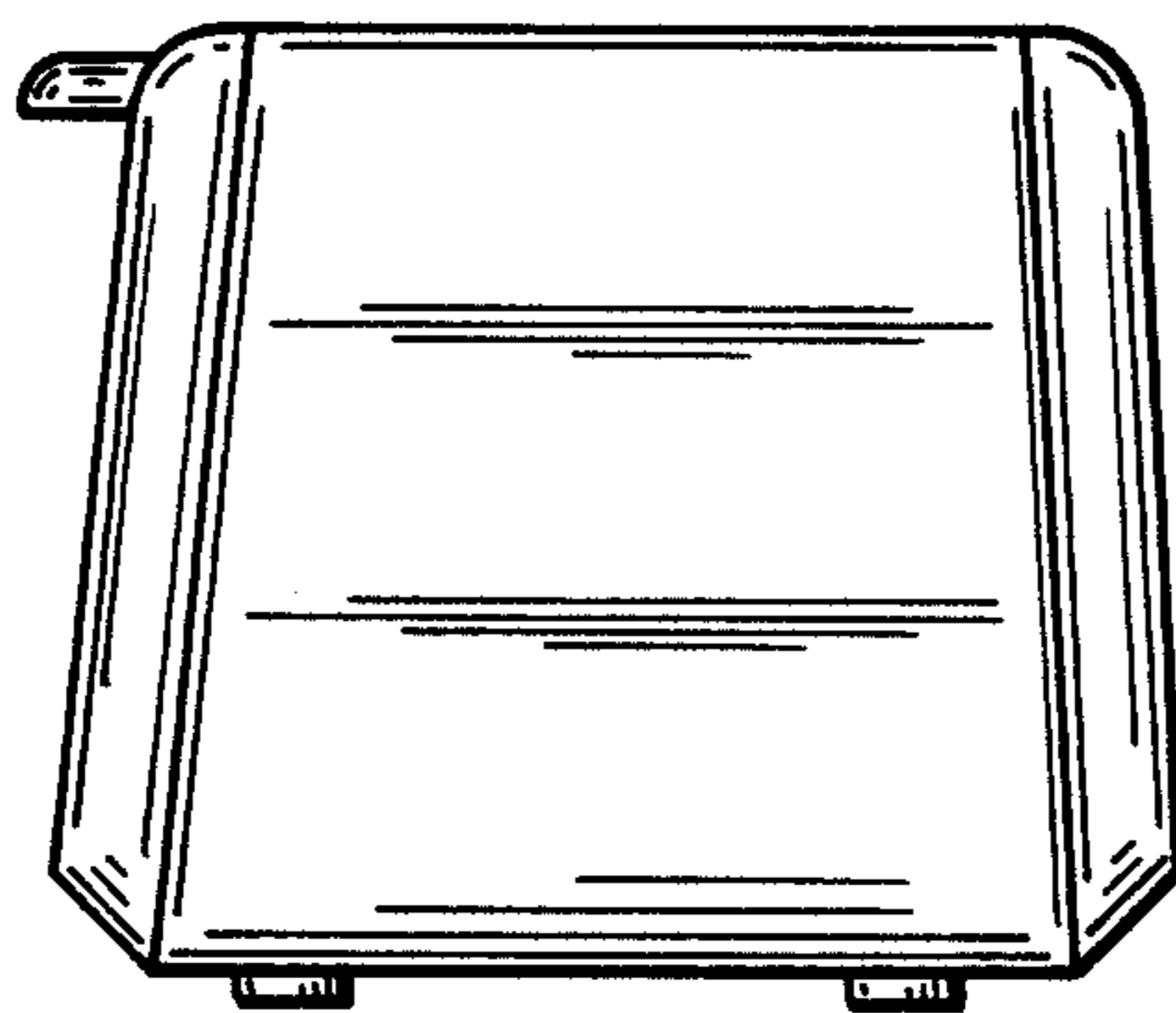
FIG_4



FIG_5



FIG_6



FIG_7