

[54] **CONDIMENT DISPENSER**

[75] **Inventor: Peter Haythornthwaite, Auckland, New Zealand**

[73] **Assignees: Frederick Daniel van Urk; Fredrikus Hermannus van Urk, both of Auckland, New Zealand**

[**] **Term: 14 Years**

[21] **Appl. No.: 916,849**

[22] **Filed: Oct. 8, 1986**

[30] **Foreign Application Priority Data**

Apr. 8, 1986 [NZ] New Zealand 20409
[52] **U.S. Cl.** **D7/600**
[58] **Field of Search** **D7/52-58;**
241/169, 169.1; 222/142.1-142.9

[56]

References Cited

U.S. PATENT DOCUMENTS

4,374,574 2/1983 David D7/53 X

Primary Examiner—Bernard Ansher
Assistant Examiner—Terry A. Pfeffer
Attorney, Agent, or Firm—Fleit, Jacobson, Cohn, Price, Holman & Stern

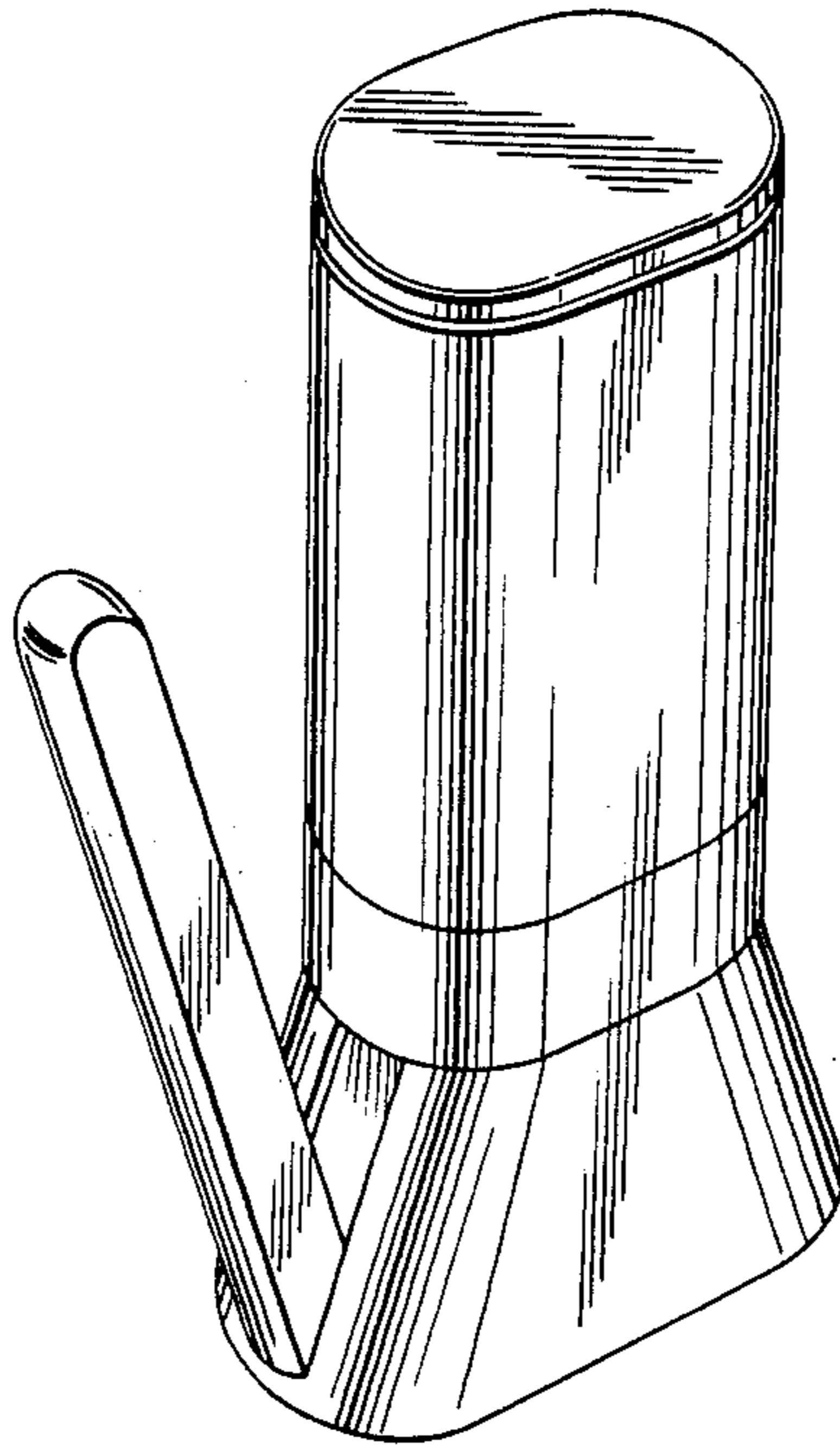
[57]

CLAIM

The ornamental design for a condiment dispenser, as shown and described.

DESCRIPTION

FIG. 1 is a front elevational view of a condiment dispenser showing my new design; the rear view being a mirror image;
FIG. 2 is a left side elevational view thereof;
FIG. 3 is a top plan view thereof;
FIG. 4 is a perspective view thereof;
FIG. 5 is a right side elevational view thereof.
The undisclosed bottom view is unornamented.



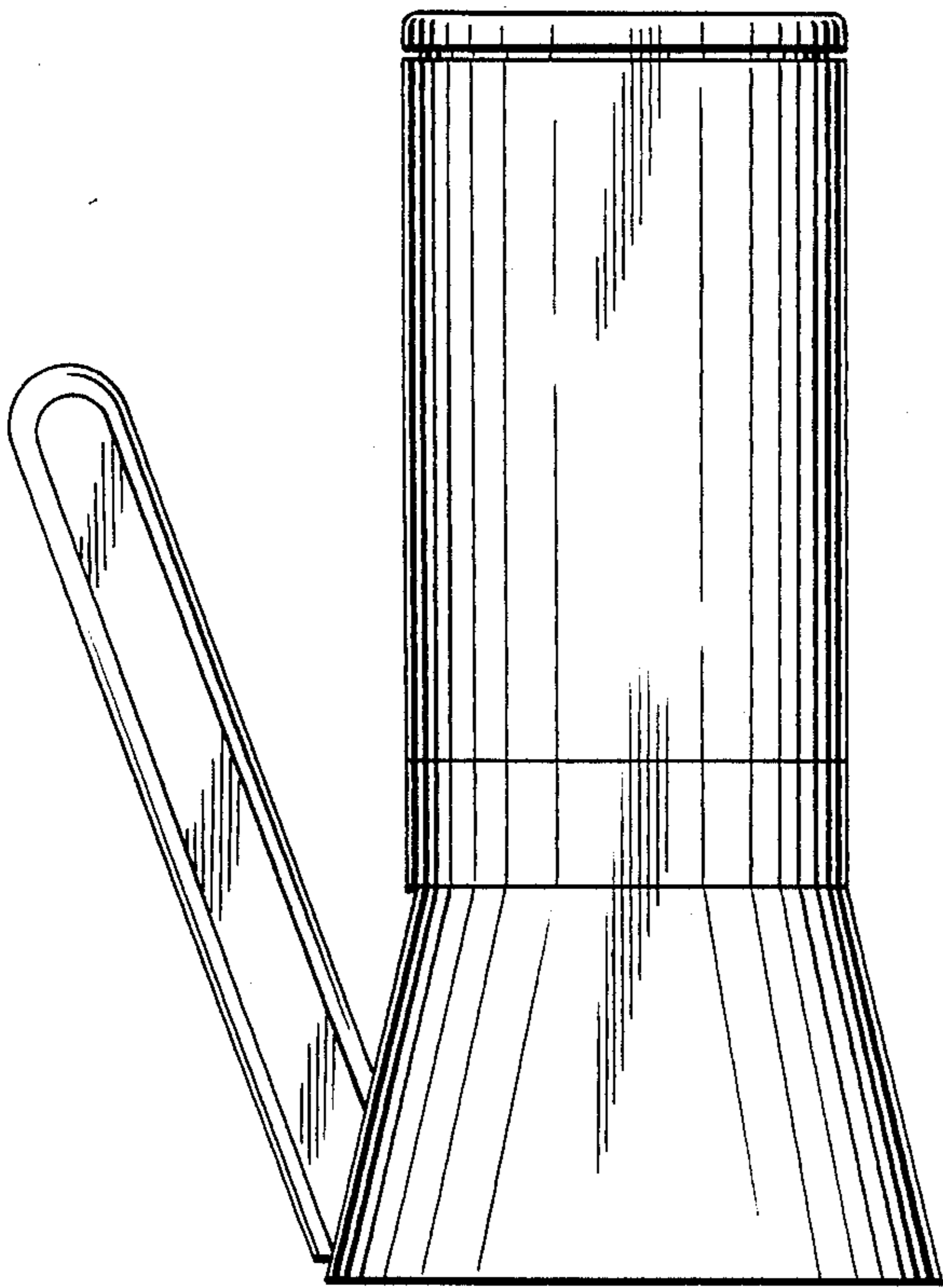


FIG. 1

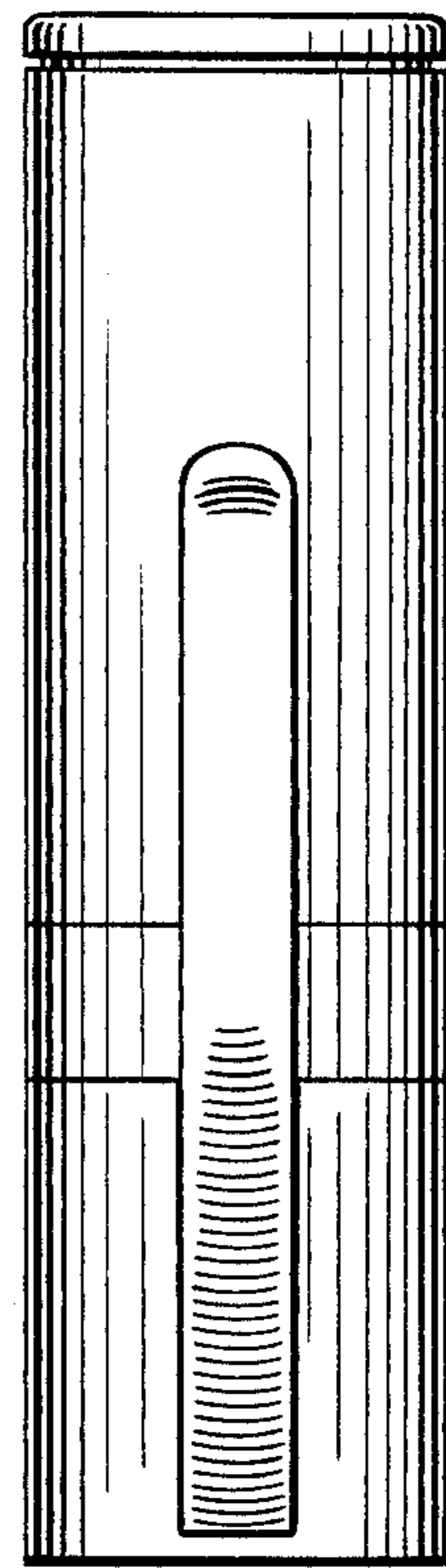


FIG. 2

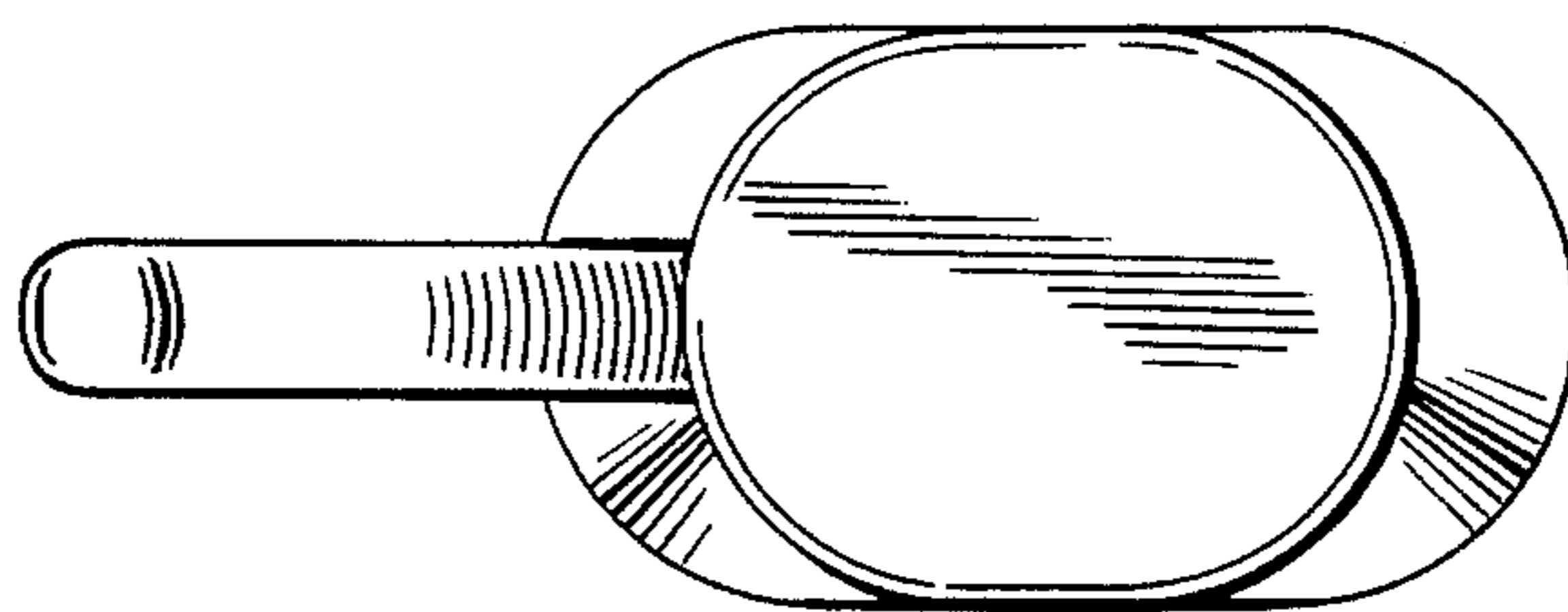


FIG. 3

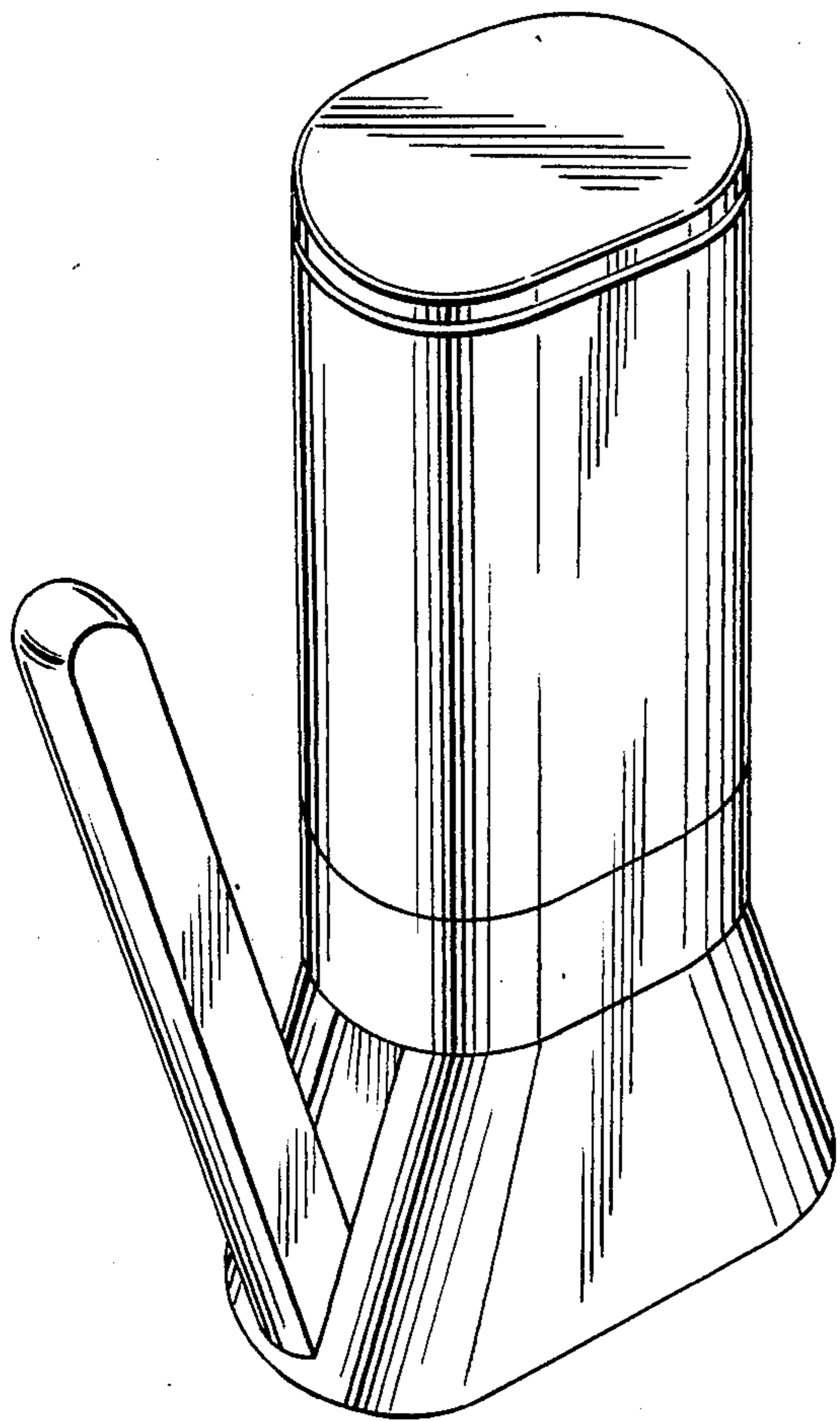


FIG. 4

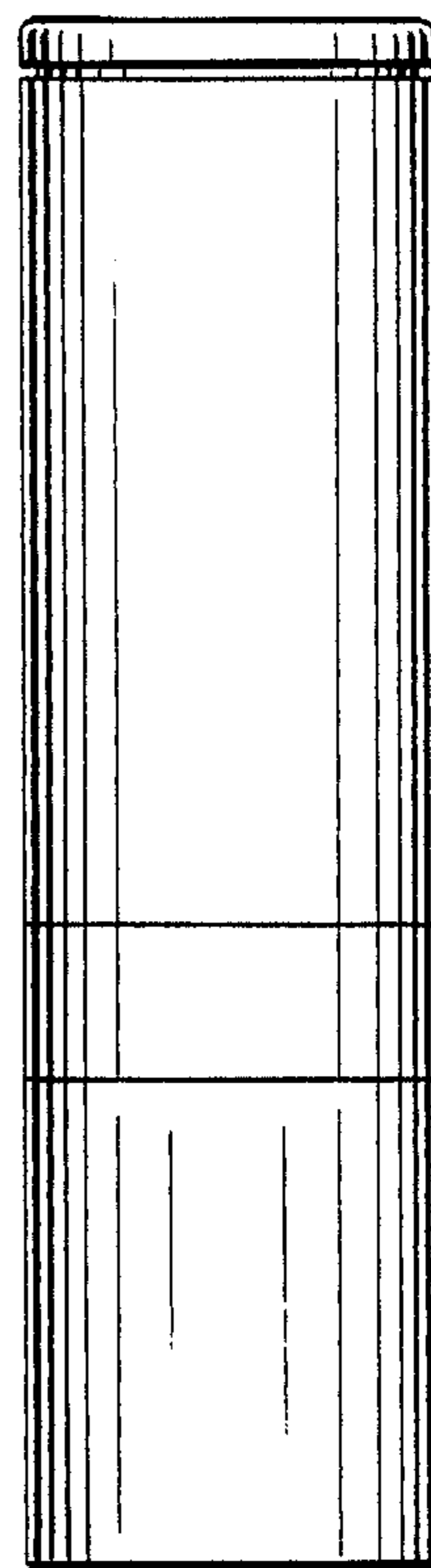


FIG. 5