

[54] INFLATABLE ORTHOPEDIC PILLOW

[76] Inventor: William H. Burns, Sr., 3715 Bryce St., Cocoa, Fla. 92326

[\*\*] Term: 14 Years

[21] Appl. No.: 9,130

[22] Filed: Jan. 30, 1987

[52] U.S. Cl. .... D6/604; D6/601

[58] Field of Search ..... D6/601; 5/431, 434, 5/436, 443, 444, 448

3,276,046	10/1966	Capelli .....	5/437
3,347,544	10/1967	Uffenorde .....	5/436
3,369,548	2/1966	Moore et al. .	
3,574,397	9/1968	Norriss .....	297/391
3,667,074	6/1972	Emery .....	5/337
3,757,364	9/1973	Downing .....	5/338
4,218,792	8/1980	Kogan .....	5/436
4,494,261	1/1985	Morrow .....	5/436
4,617,691	10/1986	Monti et al. ....	5/434

Primary Examiner—Wallace R. Burke

Assistant Examiner—Brian N. Vinson

Attorney, Agent, or Firm—Howard A. Kenyon

[56] References Cited

U.S. PATENT DOCUMENTS

D. 207,079	2/1967	Wirth .....	D6/601
D. 248,141	6/1978	Forsland .....	D6/601
D. 250,985	2/1979	Armstrong .....	D6/601
D. 256,728	9/1980	Allen .....	D24/36
D. 258,557	3/1981	Herr .....	D6/601
D. 261,681	11/1981	Chandler .....	D24/64
D. 271,834	12/1983	Huntsinger .....	D6/601
D. 284,436	7/1986	Hodges .....	D6/601
D. 285,512	9/1986	Boo .....	D6/601
2,199,479	4/1939	Cappel .....	5/338
2,880,428	4/1959	Forsland .....	D24/64 X
2,940,088	2/1960	Boos .....	5/338

[57] CLAIM

The ornamental design for an inflatable orthopedic pillow, as shown and described.

DESCRIPTION

FIG. 1 is a top plan view of an inflatable orthopedic pillow showing my new design; FIG. 2 is a front elevational view thereof; FIG. 3 is a rear elevational view thereof; FIG. 4 is a bottom plan view thereof; FIG. 5 is a right side elevational view thereof, the undisclosed left side being a mirror image of that shown; and FIG. 6 is a top, front, and right side perspective view thereof.

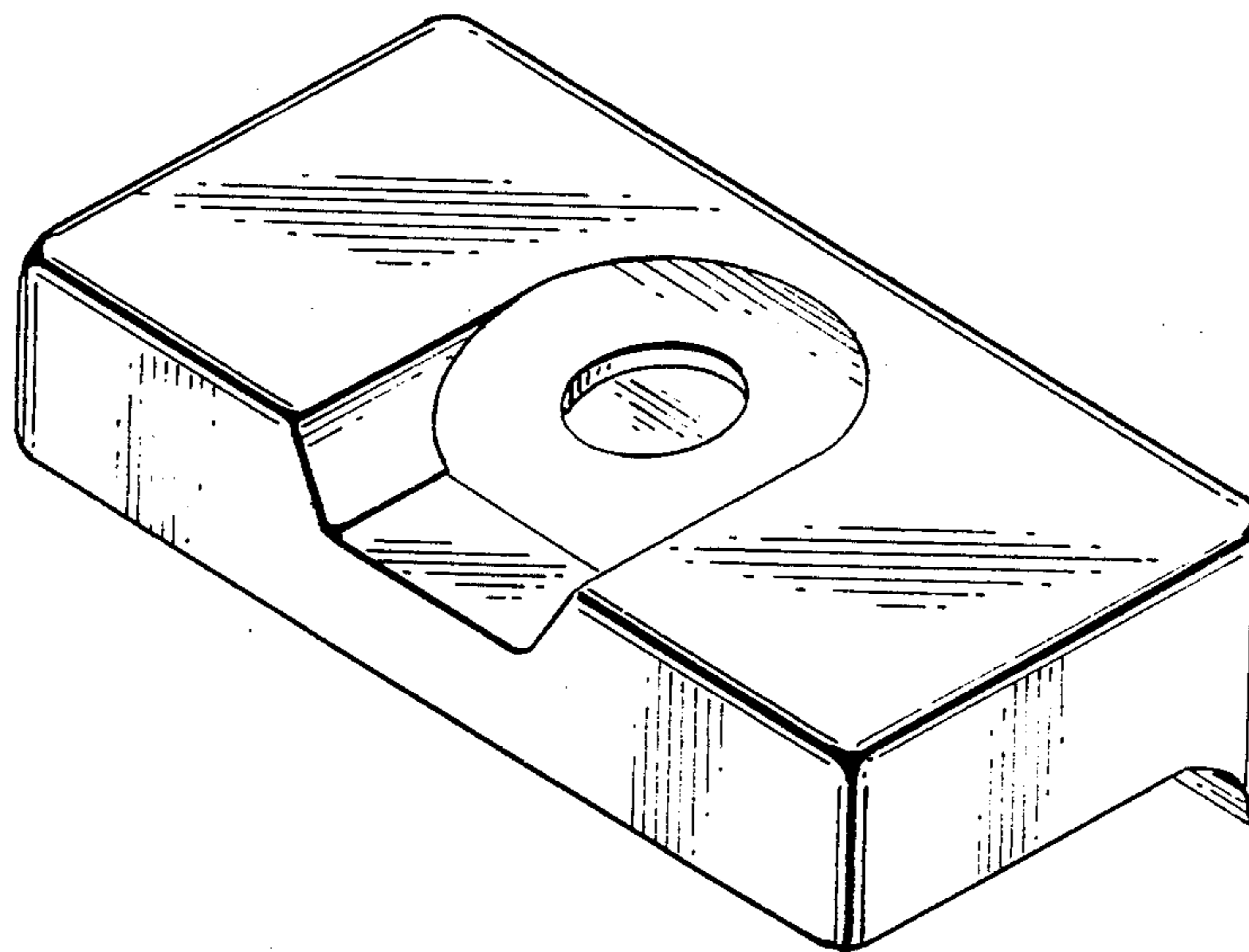


FIG. 1

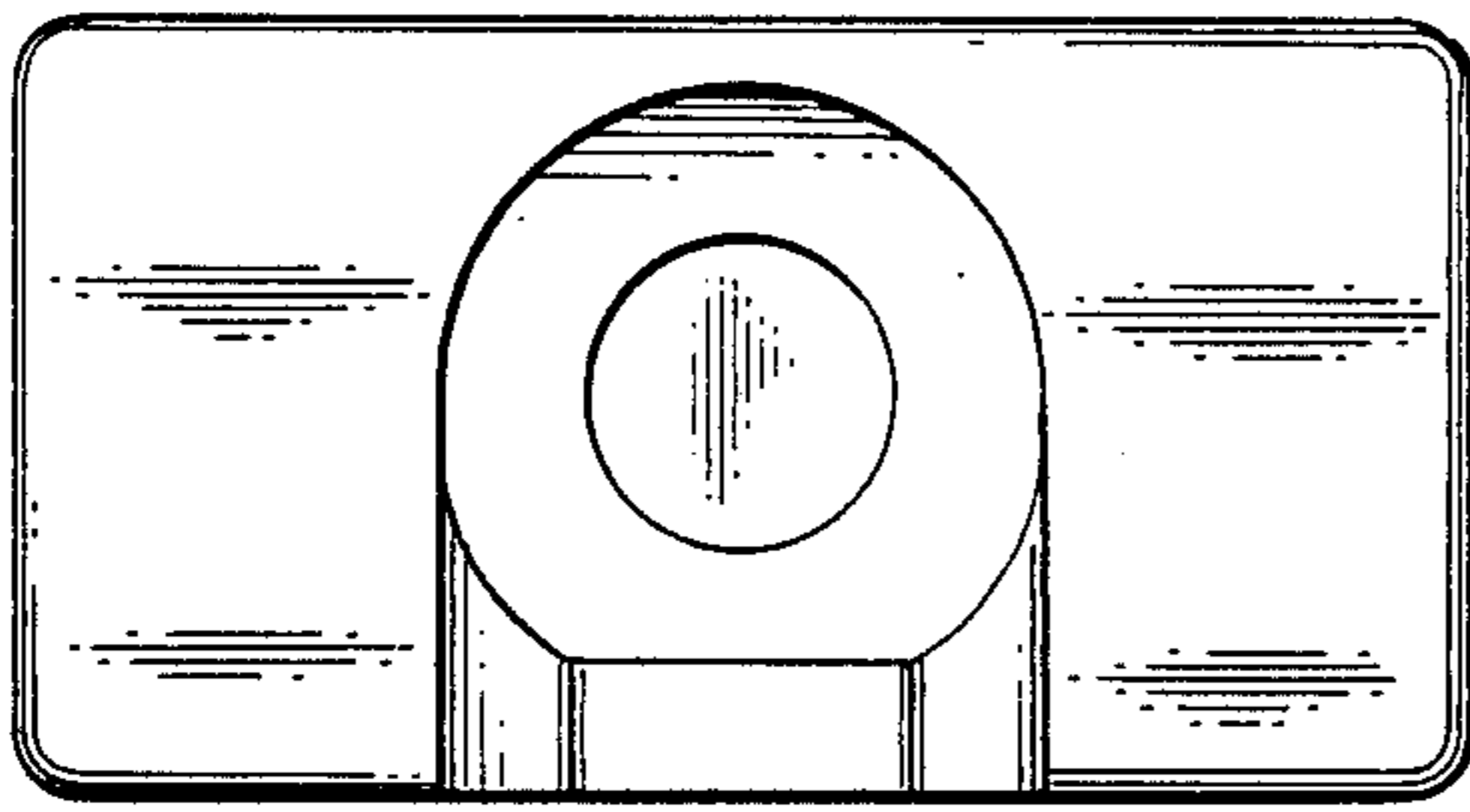


FIG. 2

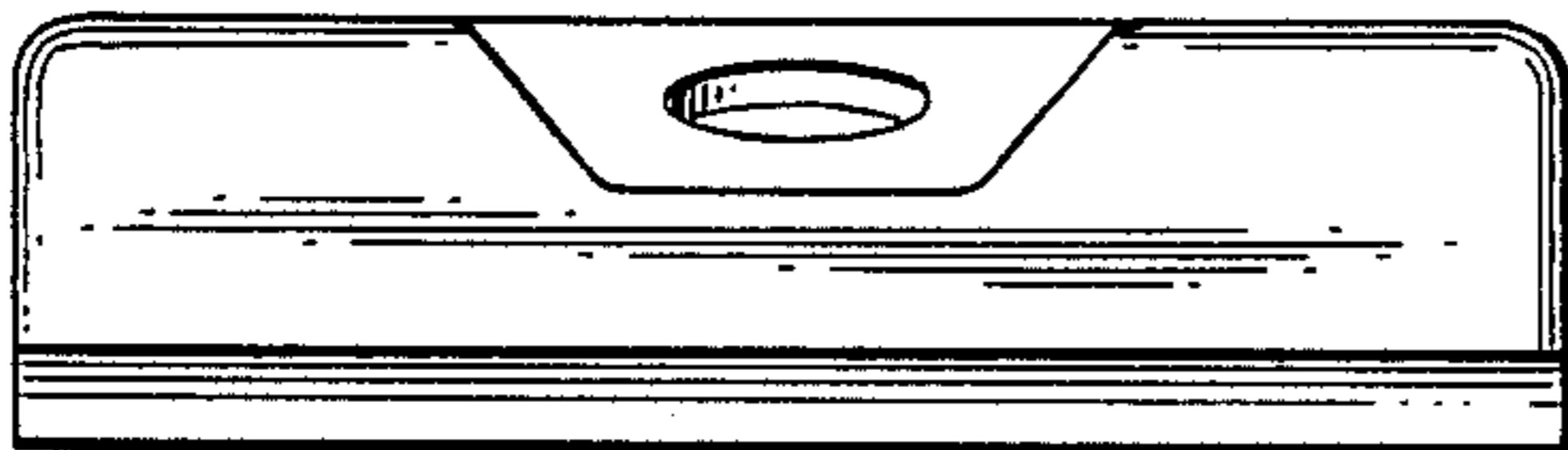


FIG. 3

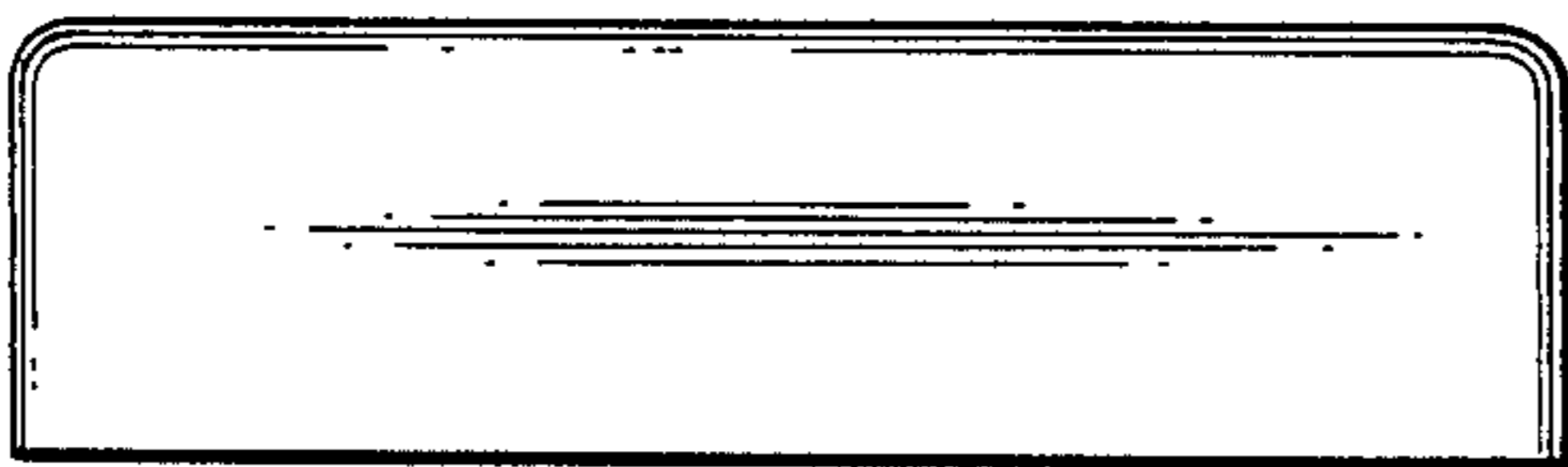


FIG. 4

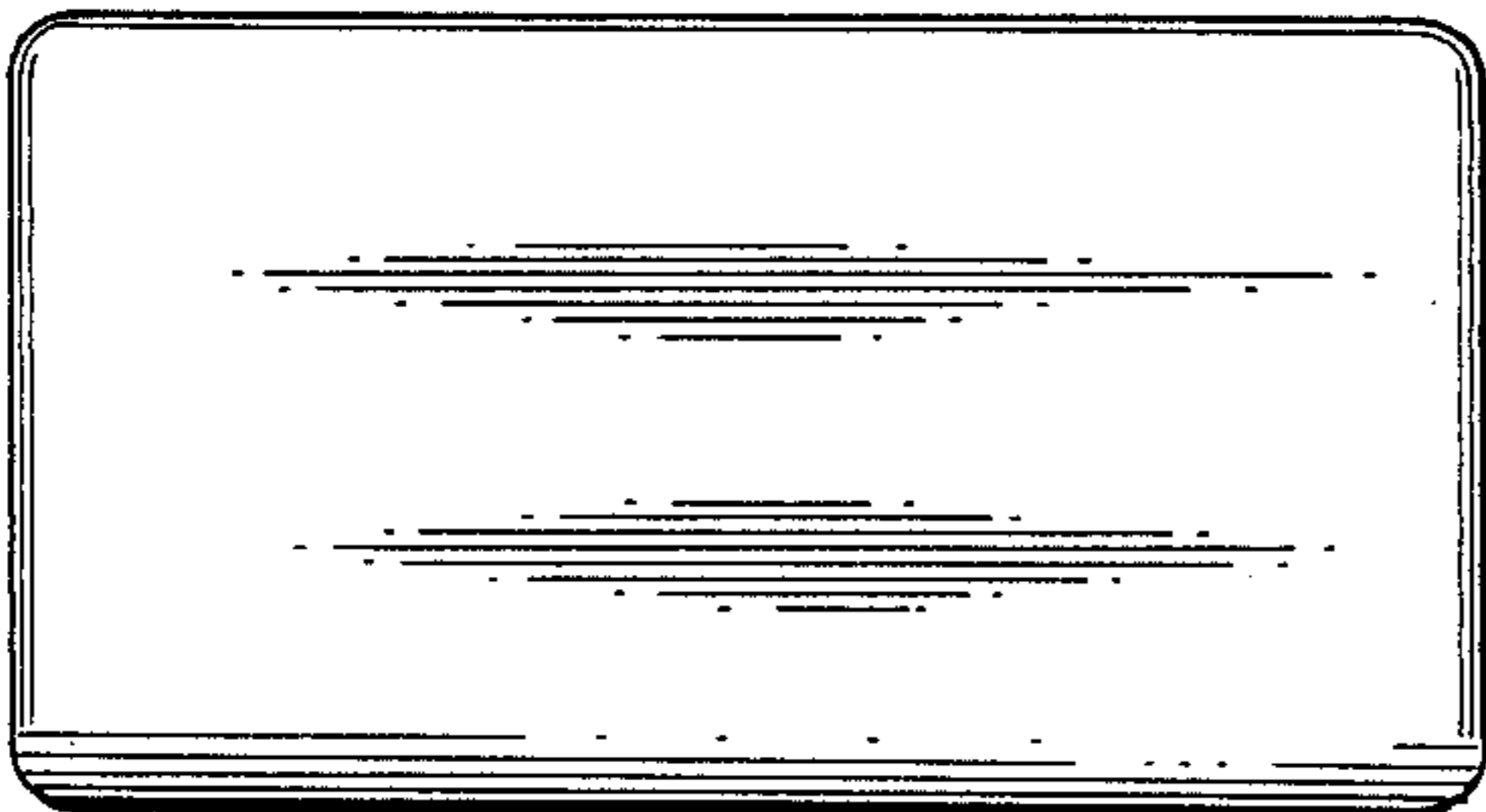


FIG. 5

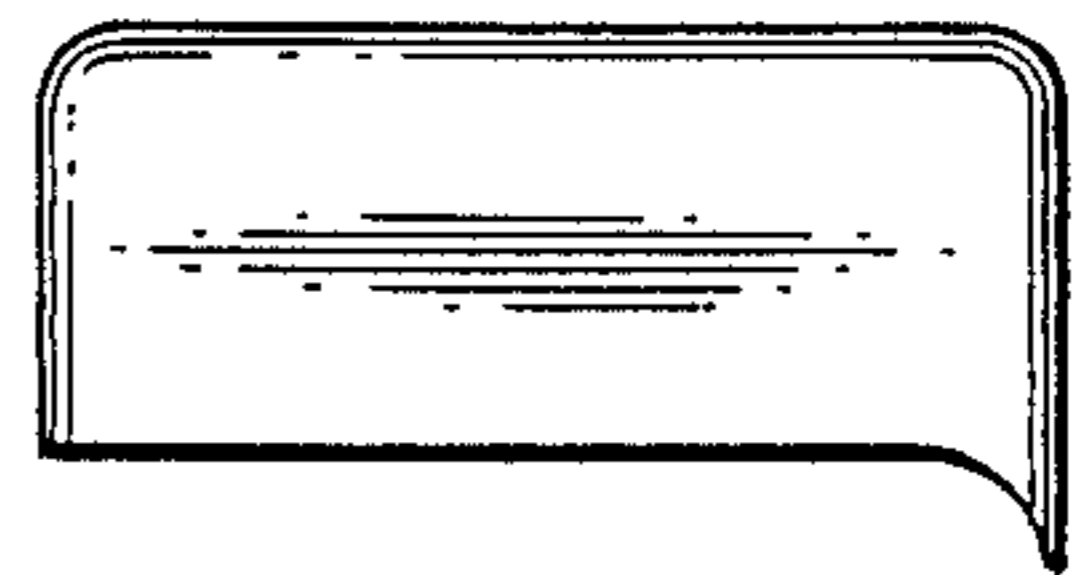


FIG. 6

