

[54] BABY SUPPORT PILLOW

[76] Inventors: Cindy Jordan; Alan Jordan, both of 19760 NE. 10th Ave., North Miami Beach, Fla. 33179

[\*\*] Term: 14 Years

[21] Appl. No.: 68,314

[22] Filed: Jul. 1, 1987

[52] U.S. Cl. .... D6/601

[58] Field of Search ..... D6/601; 5/431, 443, 5/448

[56] References Cited

U.S. PATENT DOCUMENTS

D. 250,985	2/1979	Armstrong	.....	D6/601
D. 259,274	5/1981	Humes	.....	D6/601
4,118,813	10/1978	Armstrong	.....	5/436 X
4,259,757	4/1981	Watson	.....	5/434
4,631,766	12/1986	Semmler et al.	.....	5/431
4,667,356	5/1987	Holmquist	.....	5/431
4,825,487	5/1989	Eberl	.....	5/431 X

Primary Examiner—Wallace R. Burke  
Assistant Examiner—Brian N. Vinson

Attorney, Agent, or Firm—Herbert L. Lerner; Laurence A. Greenberg

[57] CLAIM

The ornamental design for a baby support pillow, as shown and described.

DESCRIPTION

FIG. 1 is a top, front, and right side perspective view of a baby support pillow showing our new design, the undisclosed left and rear sides being mirror images of the right and front sides, respectively;

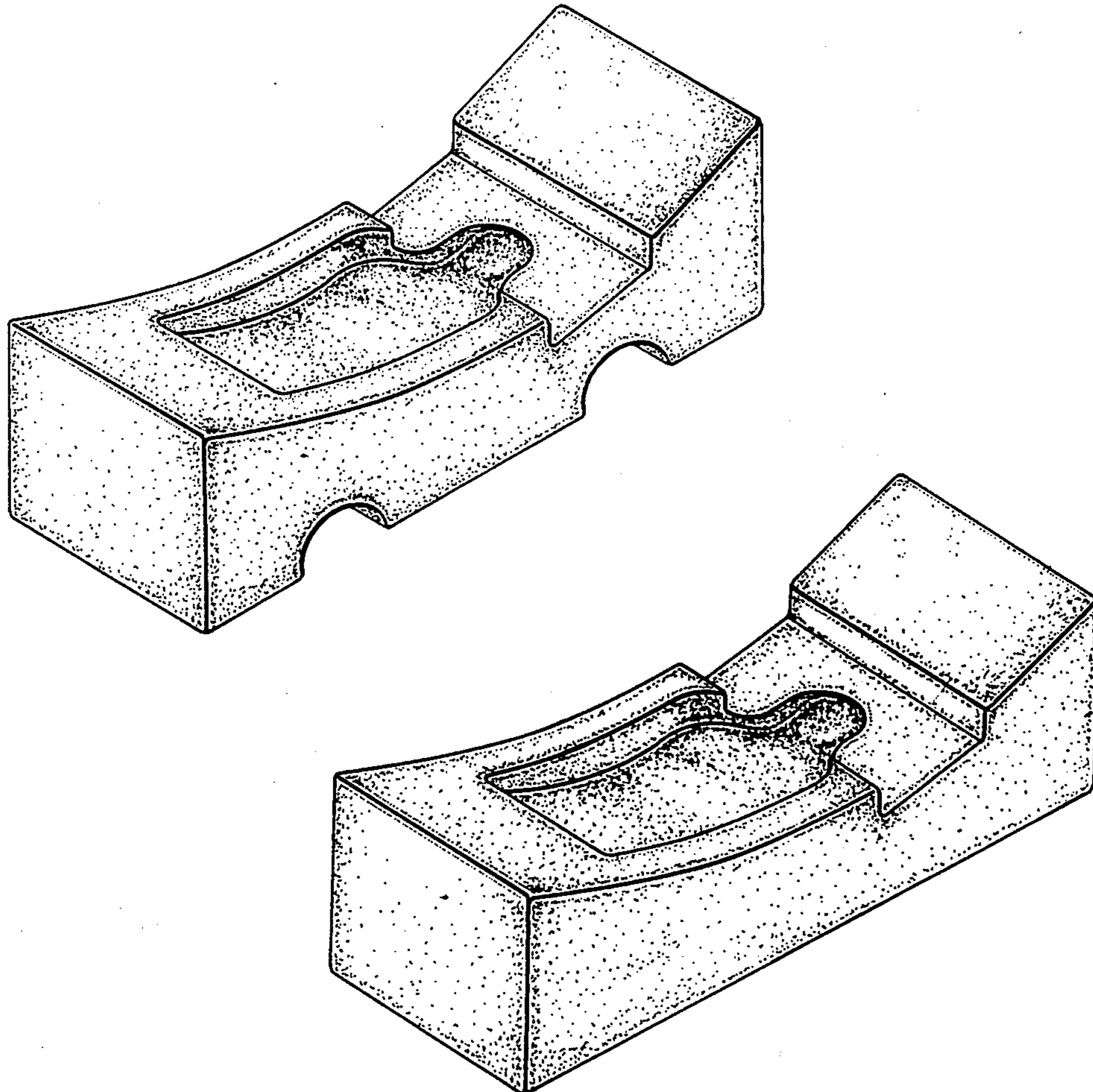
FIG. 2 is a vertical cross-sectional view thereof, taken along line 2—2 of FIG. 3;

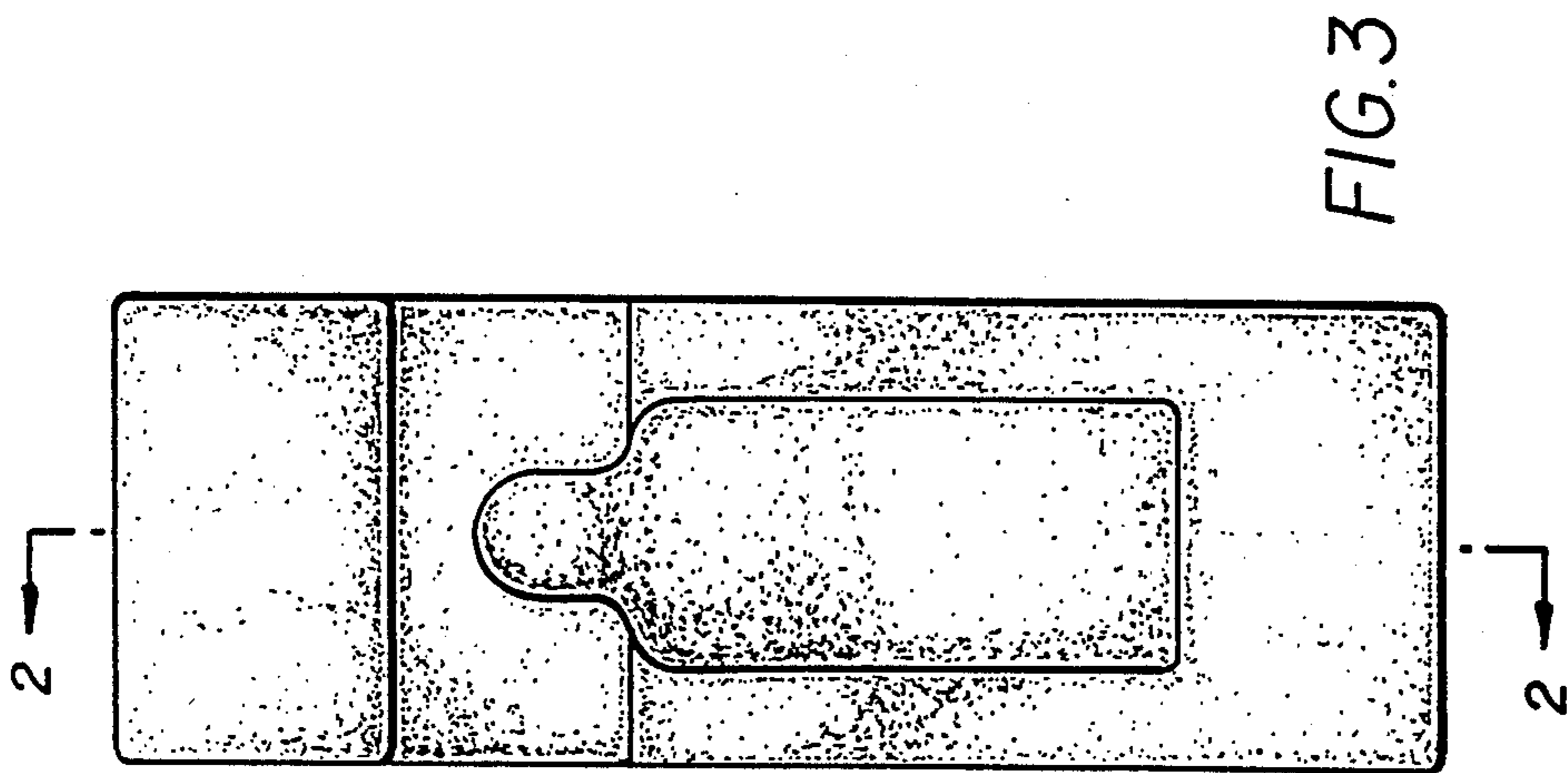
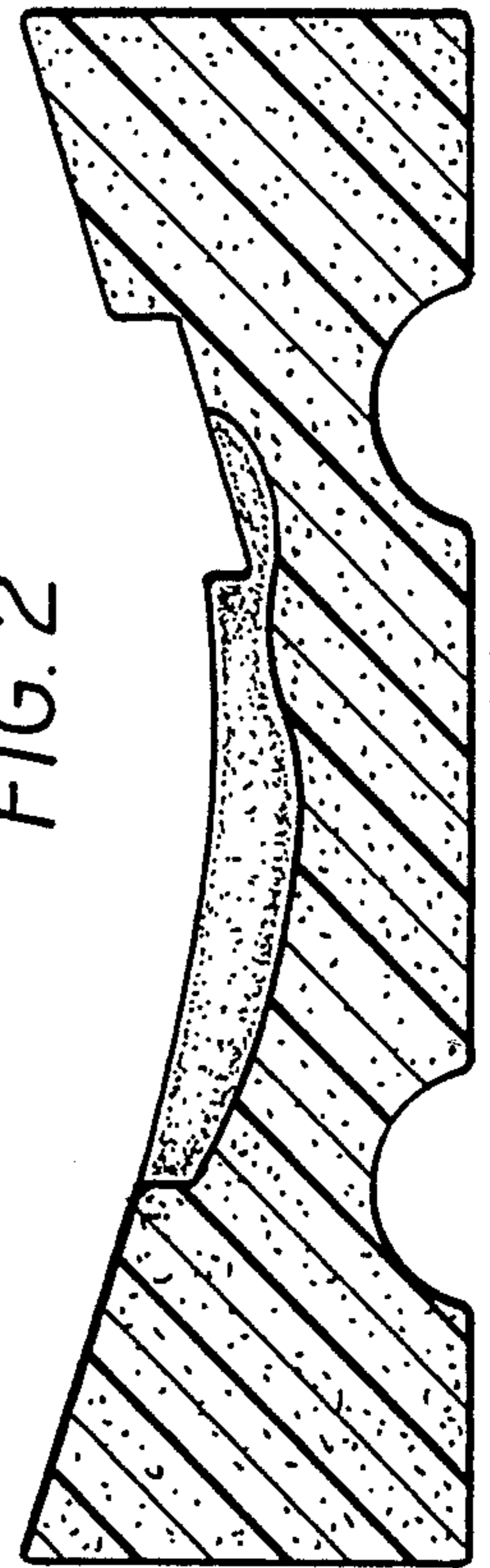
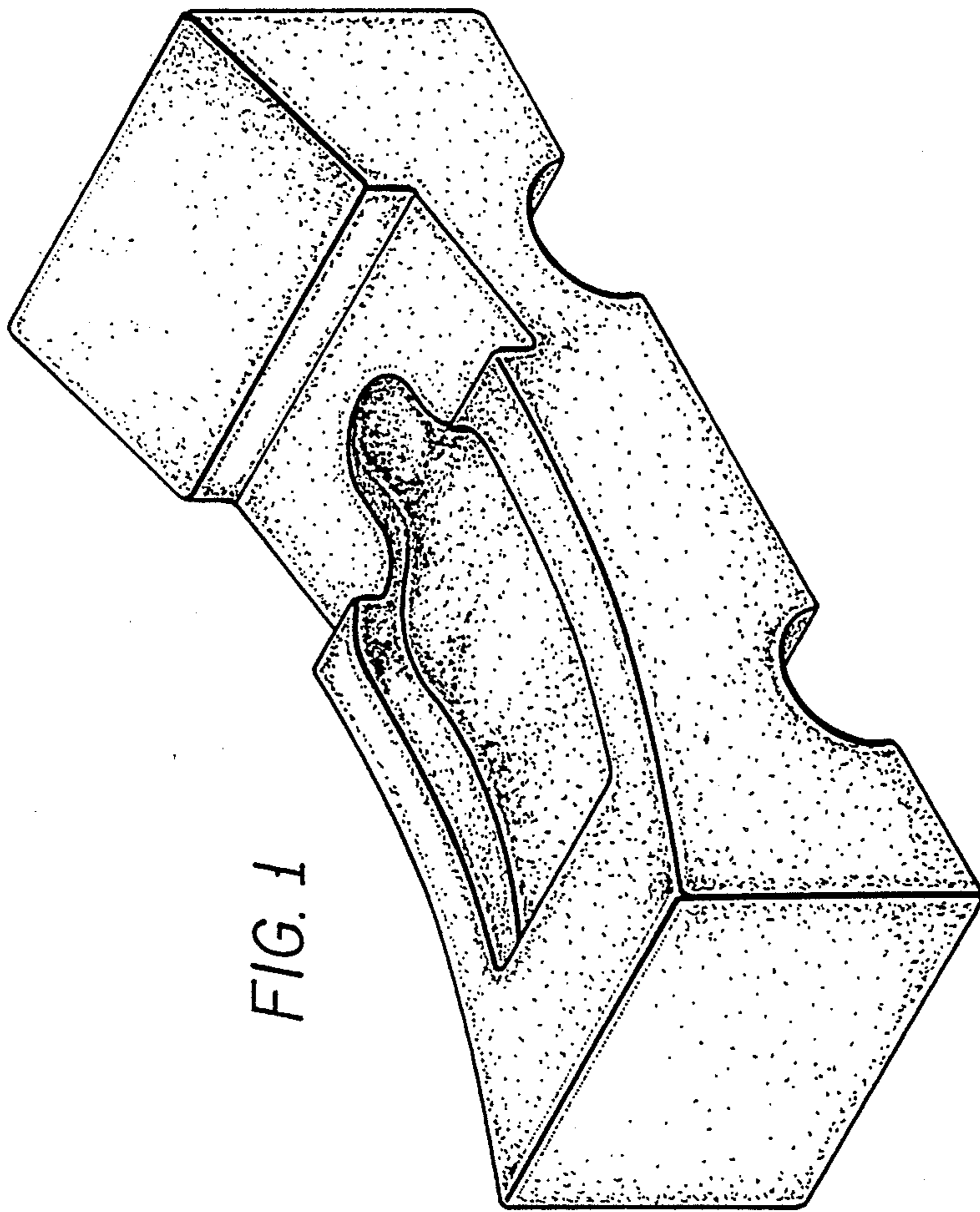
FIG. 3 is a top plan view thereof, the undisclosed bottom being plain and unornamented;

FIG. 4 is a top, front, and right side perspective view of an alternate embodiment thereof, the only difference being in the absence of semi-circular cut-outs for resting on the legs of a person, and the undisclosed left and rear sides being mirror images of the right and front sides respectively;

FIG. 5 is a vertical cross-sectional view of the alternate embodiment thereof, taken along line 5—5 of FIG. 6; and

FIG. 6 is a top plan view of the alternate embodiment thereof, the undisclosed bottom being plain and unornamented.





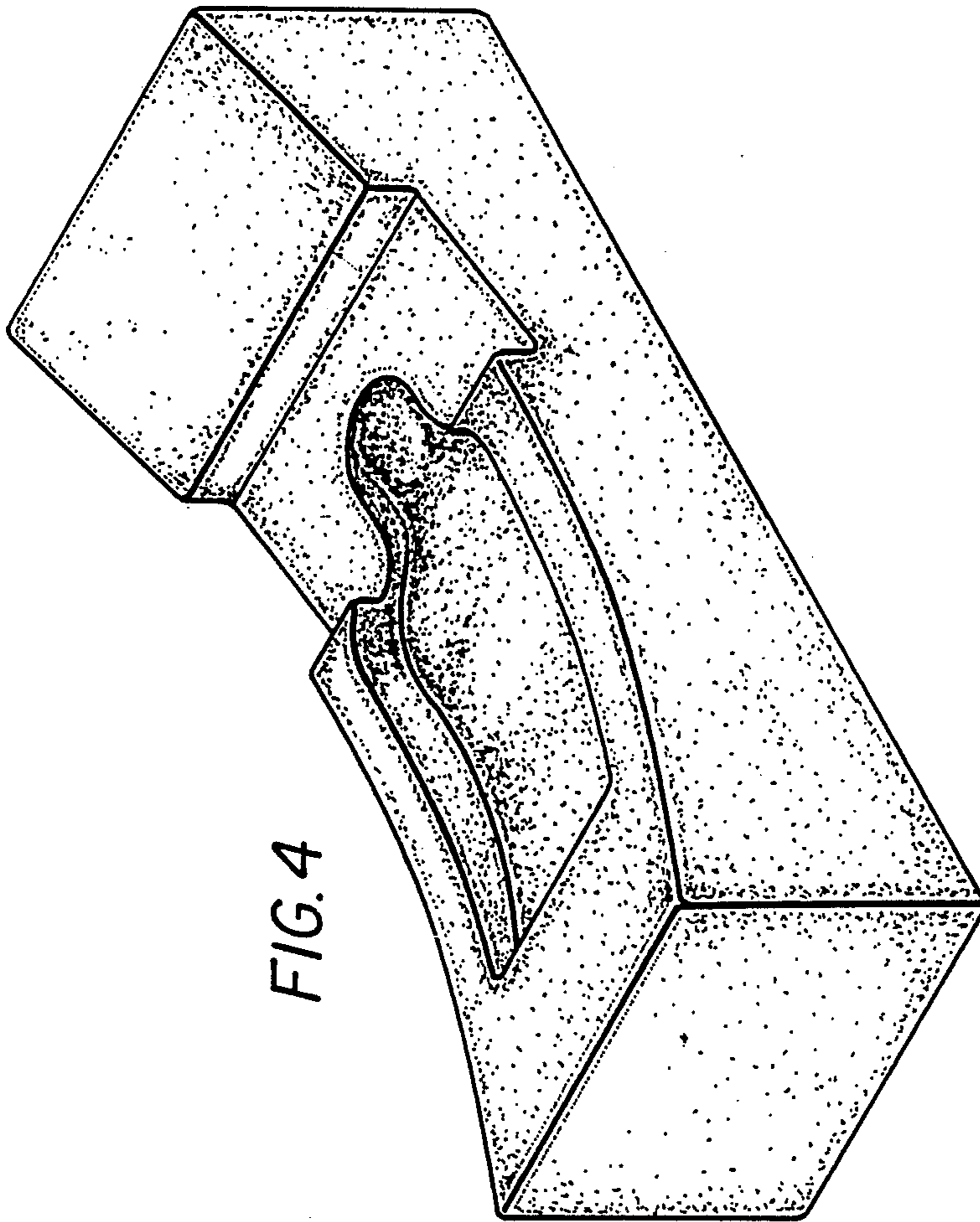


FIG. 4

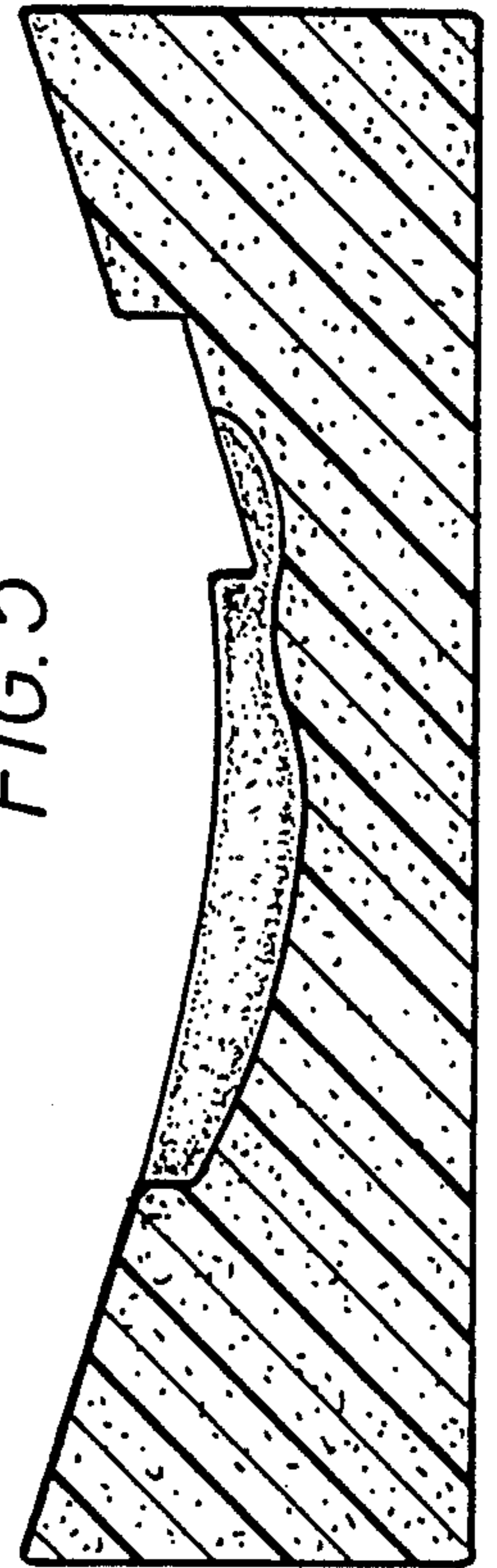


FIG. 5

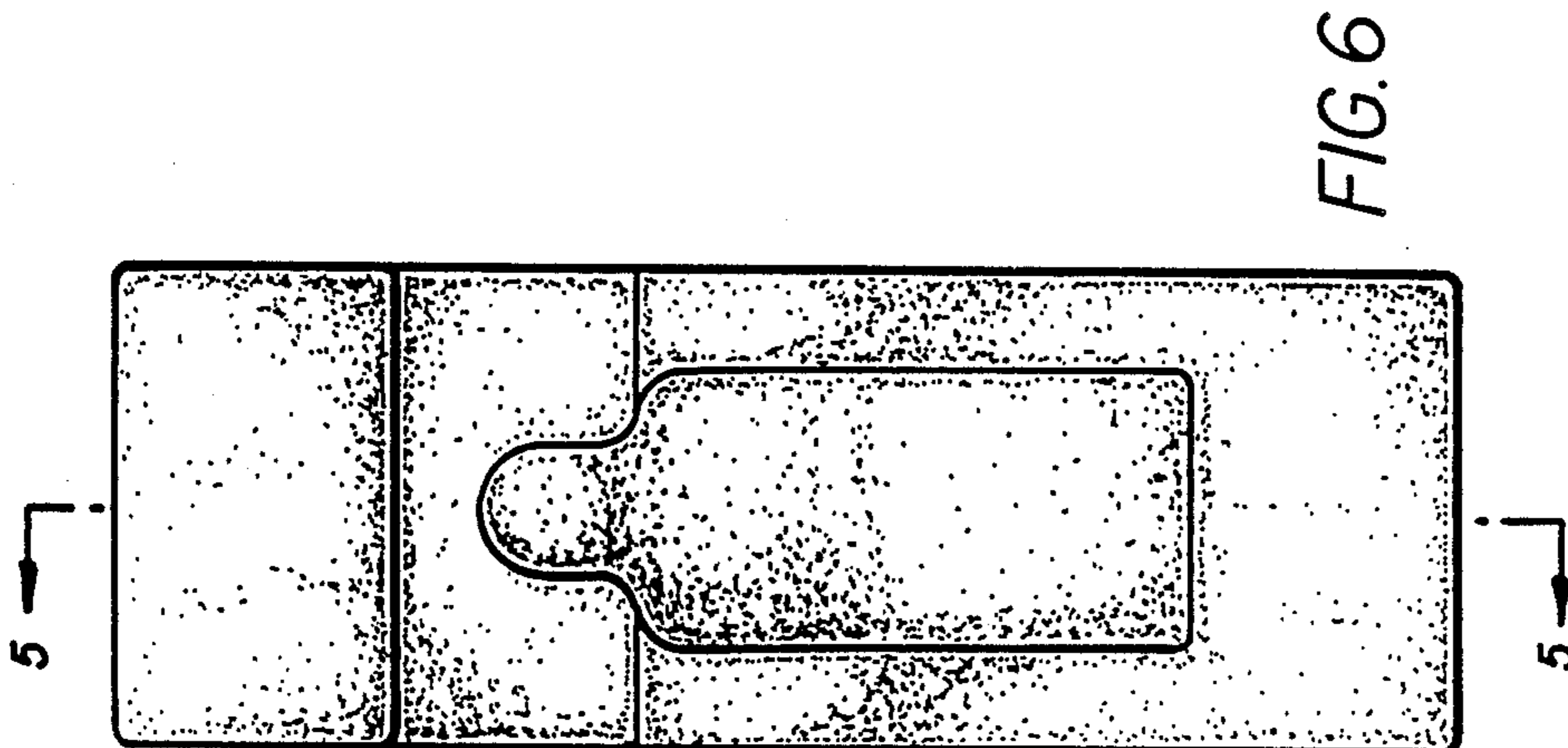


FIG. 6