

United States Patent [19]

Arrias

[11] Patent Number: Des. 309,067

[45] Date of Patent: ** Jul. 10, 1990

[54] AUTOMATIC TAMPON DISPENSER

2,680,663 6/1954 Geller 221/191
3,162,322 12/1964 Gilbertson 221/191

[76] Inventor: Frank Arrias, 5698 Starwood Ct.,
Westlake Village, Calif. 91362

[**] Term: 14 Years

[21] Appl. No.: 145,255

[22] Filed: Jan. 19, 1988

[52] U.S. Cl. D6/515

[58] Field of Search D6/512, 515, 517, 518,
D6/522; 211/6, 16, 49.1, 87; 221/26, 33, 45,
282, 191-192, 196; 312/37-38, 245

[56] References Cited

U.S. PATENT DOCUMENTS

D. 263,354 3/1982 Jones D6/515
D. 284,247 6/1986 Fine D6/518 X
D. 286,235 10/1986 Collins D6/522

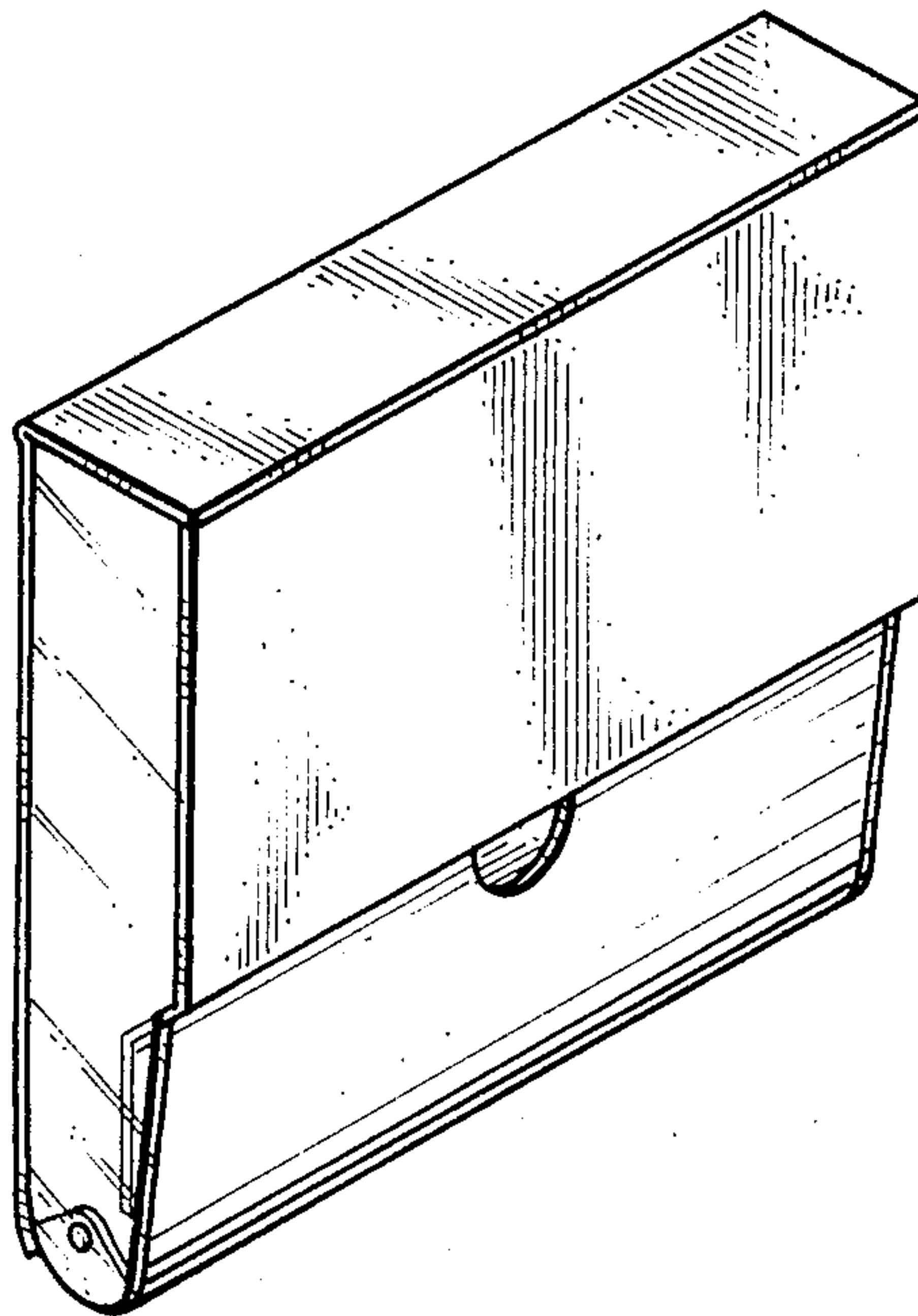
Primary Examiner—Wallace R. Burke
Assistant Examiner—Brian N. Vinson
Attorney, Agent, or Firm—Jessup, Beecher & Slehofer

[57] CLAIM

The ornamental design for an automatic tampon dispenser, as shown and described.

DESCRIPTION

FIG. 1 is a perspective view of an automatic tampon dispenser showing my new design;
FIG. 2 is a front elevational view thereof;
FIG. 3 is a left side elevational view thereof;
FIG. 4 is a rear elevational view thereof;
FIG. 5 is a right side elevational view thereof;
FIG. 6 is a top plan view thereof; and
FIG. 7 is a bottom plan view thereof.



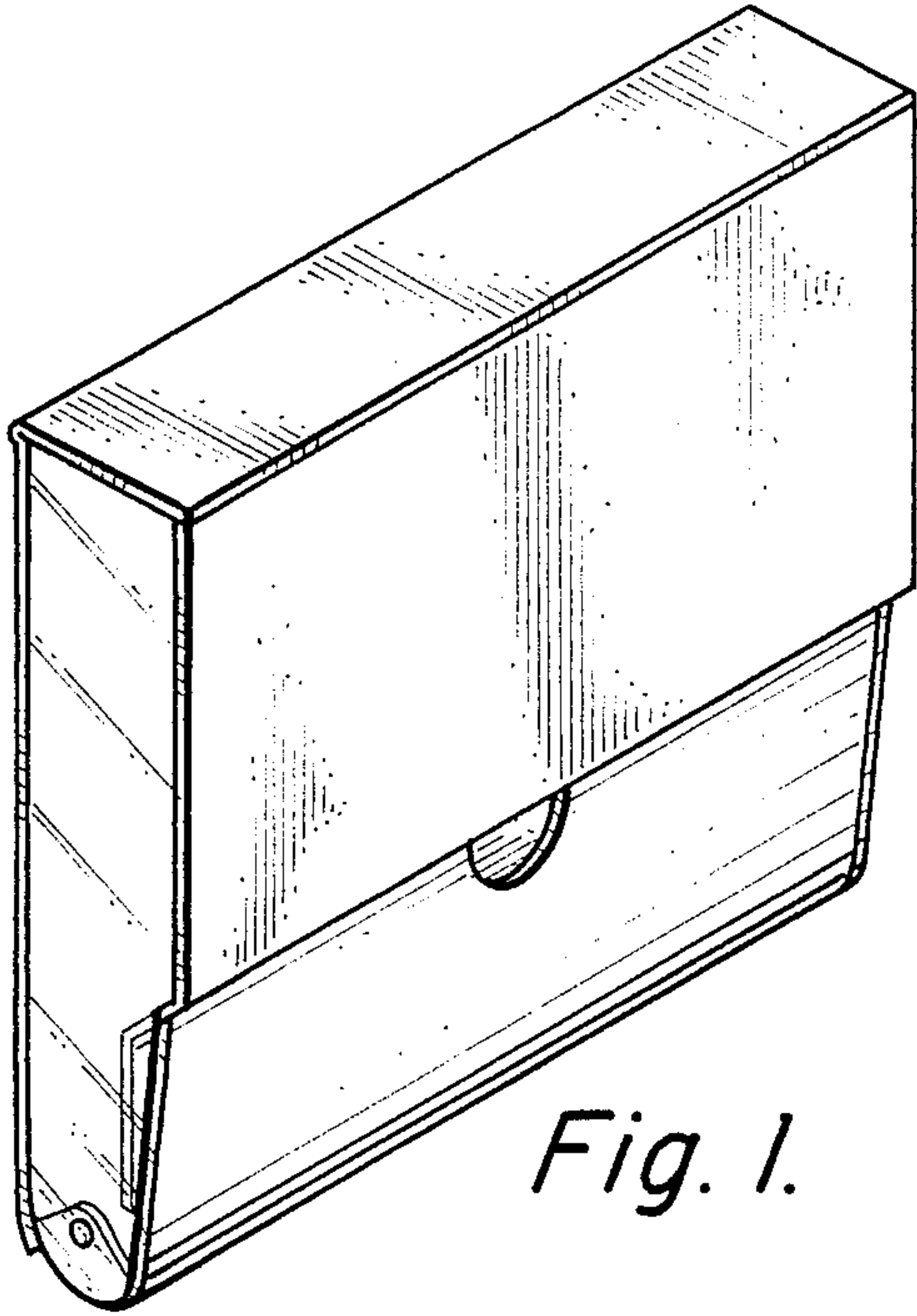


Fig. 1.

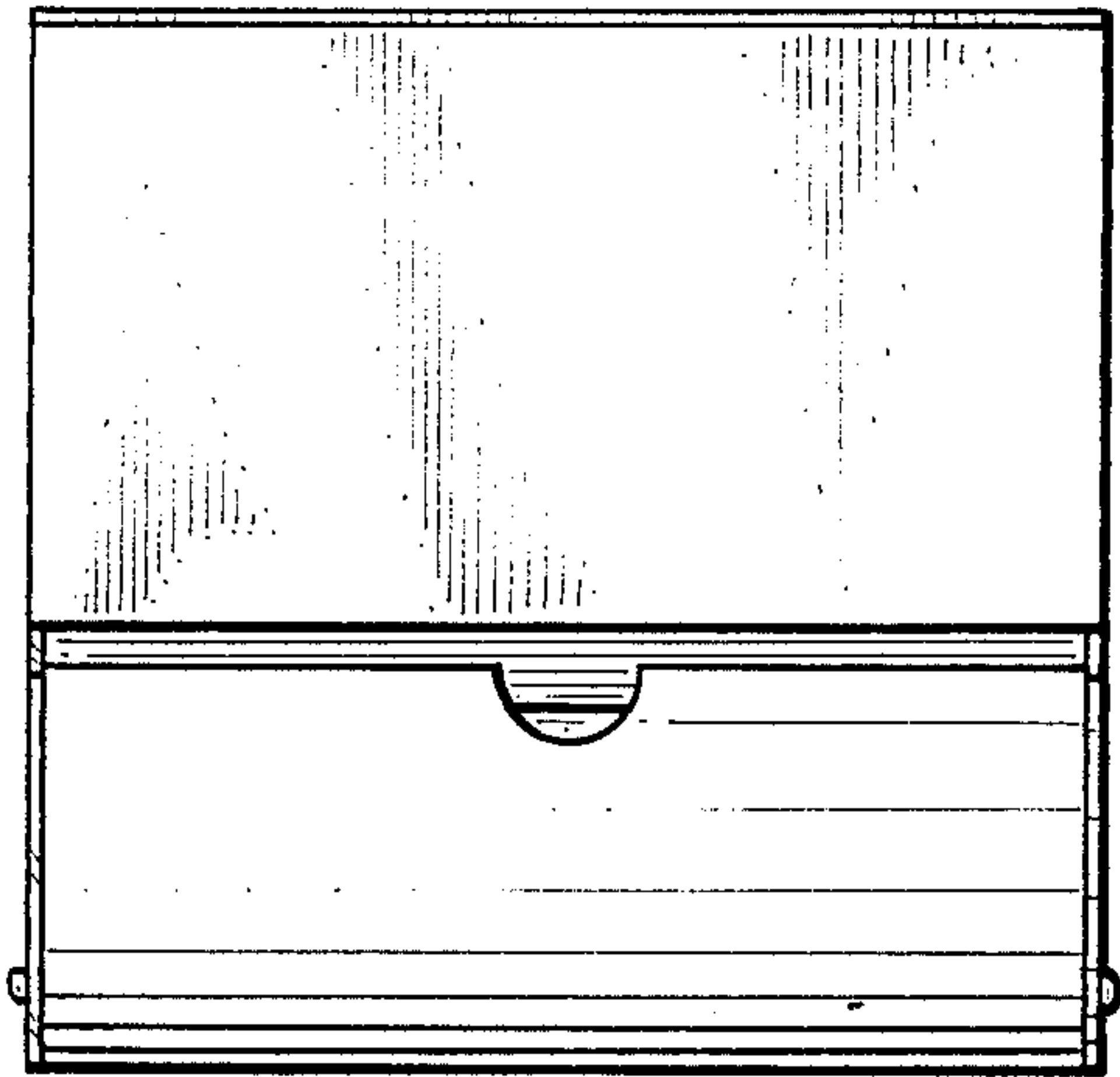


Fig. 2.

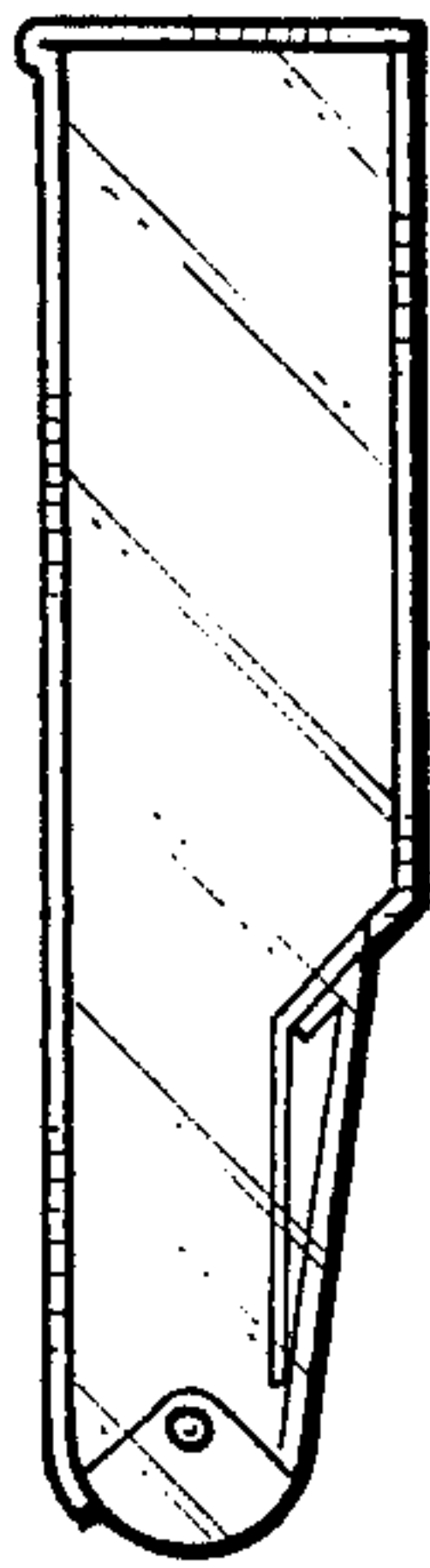


Fig. 3.

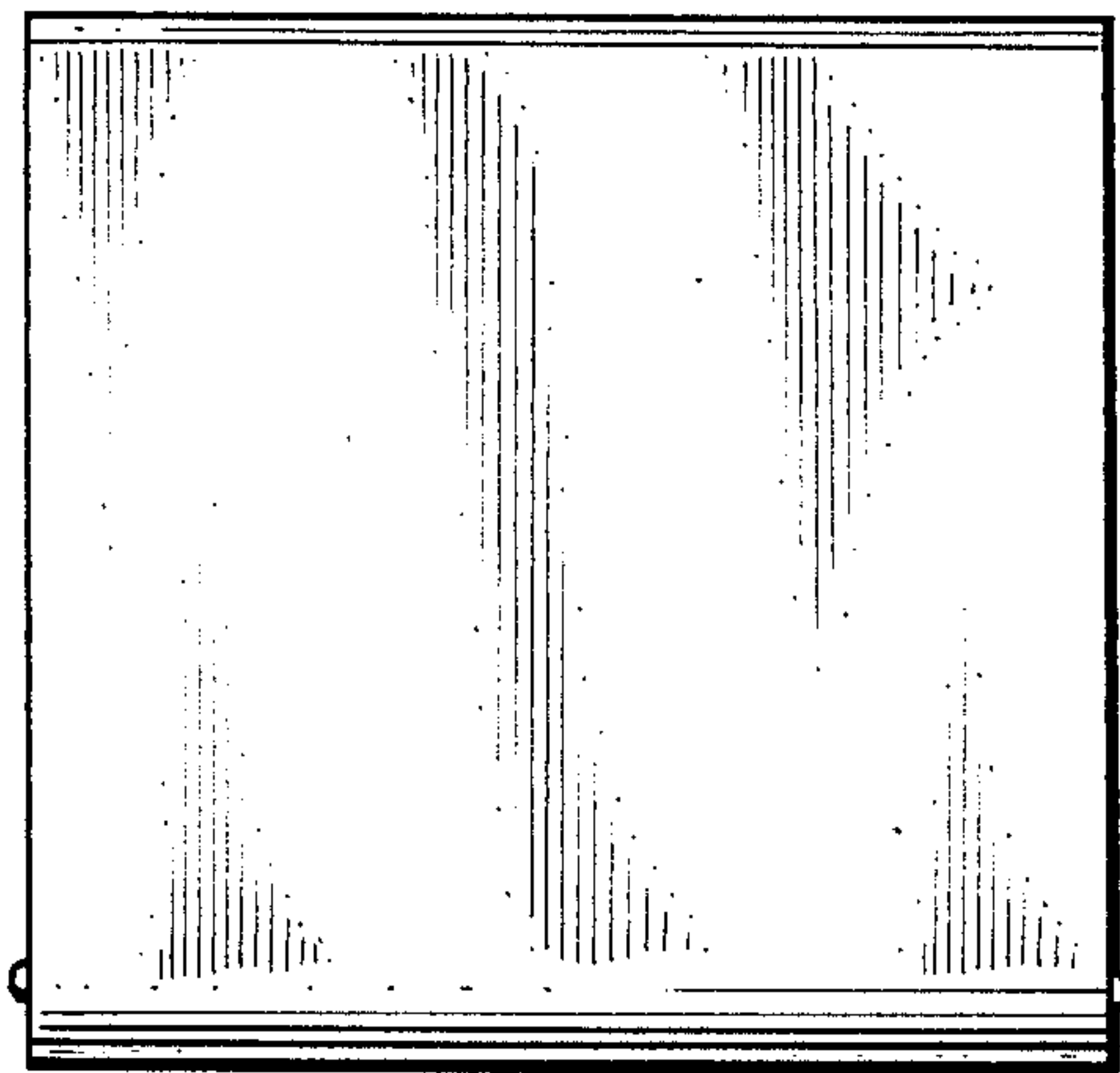


Fig. 4.



Fig. 5.

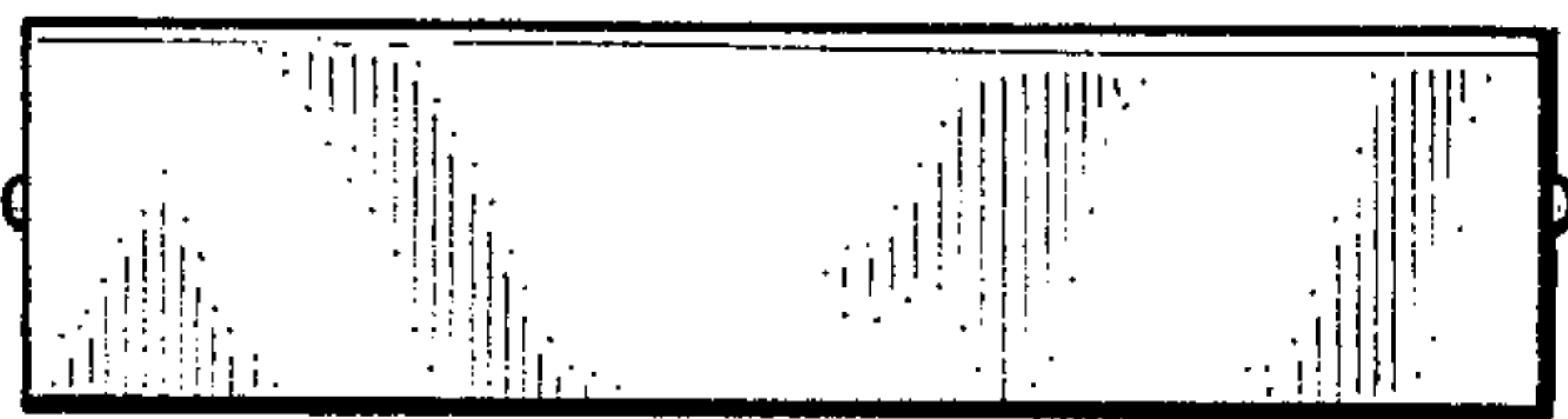


Fig. 6.

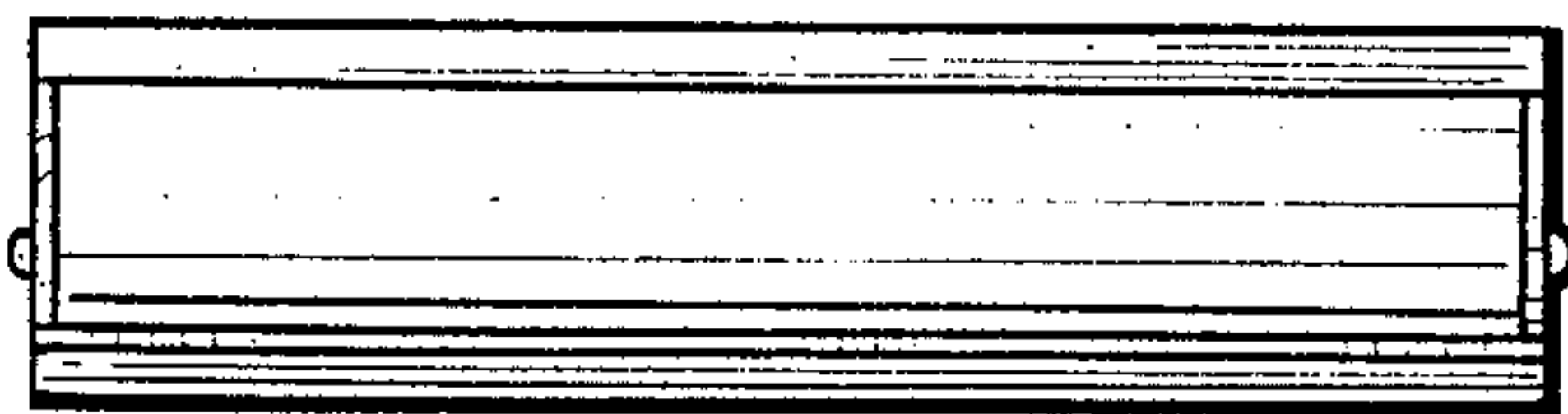


Fig. 7.