

[54] BENCH

[75] Inventor: Peter M. Y. Kee, Happy Valley, Hong Kong

[73] Assignee: Rosalco, Inc., Louisville, Ky.

[**] Term: 14 Years

[21] Appl. No.: 295,474

[22] Filed: Jan. 10, 1989

[52] U.S. Cl. D6/349

[58] Field of Search D6/349; 297/461, 462

[56] References Cited

U.S. PATENT DOCUMENTS

- D. 93,232 9/1934 McChesney et al. D6/349
- D. 233,962 12/1974 Morrison et al. D6/349

OTHER PUBLICATIONS

Best ©1986 p. 216; "Lee/Rowan Vanity Bench" Item #2 top left on page.

Bell 1987 ©1986 p. 178; "Empress Bench" Item #3 center of page.

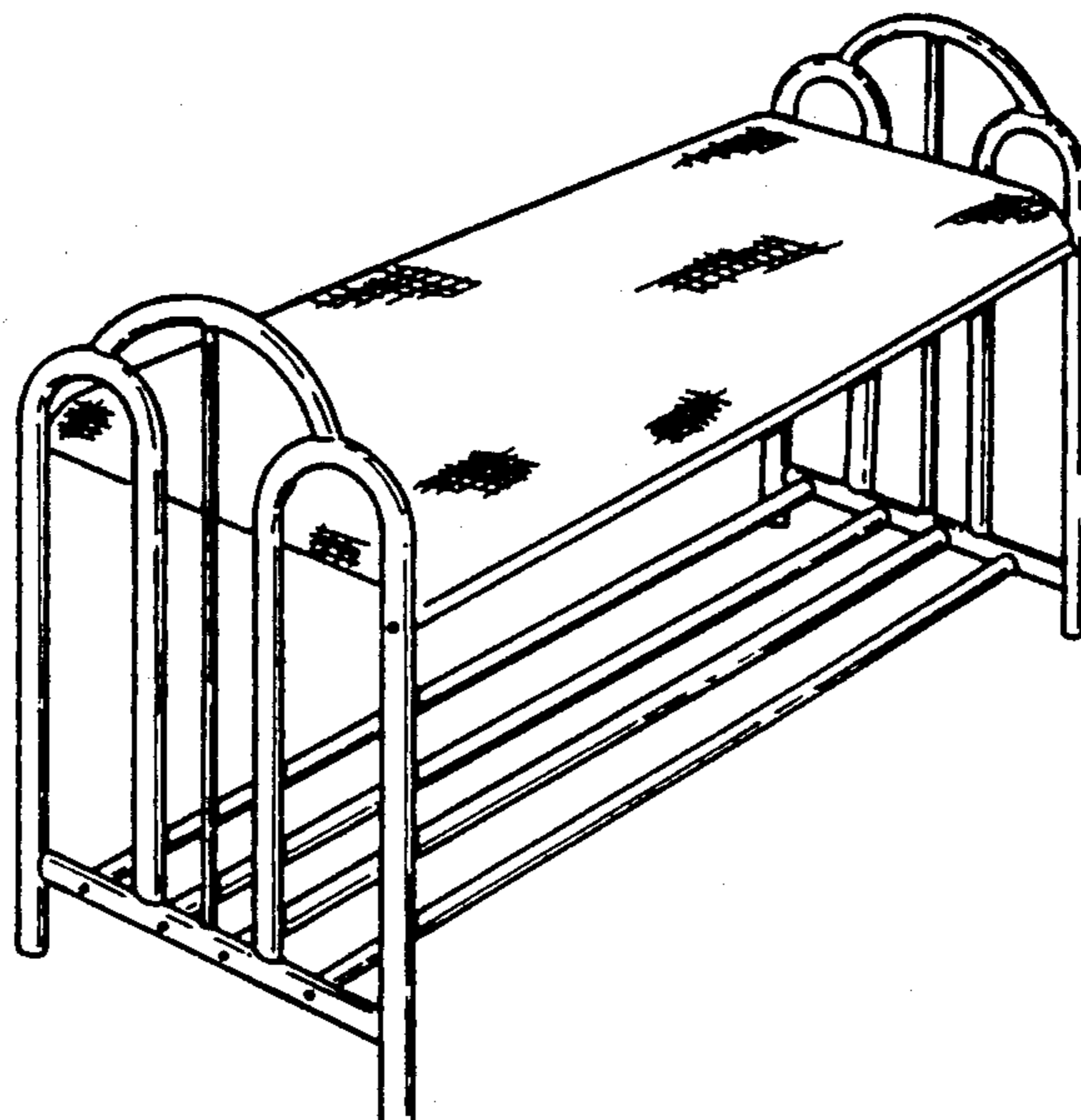
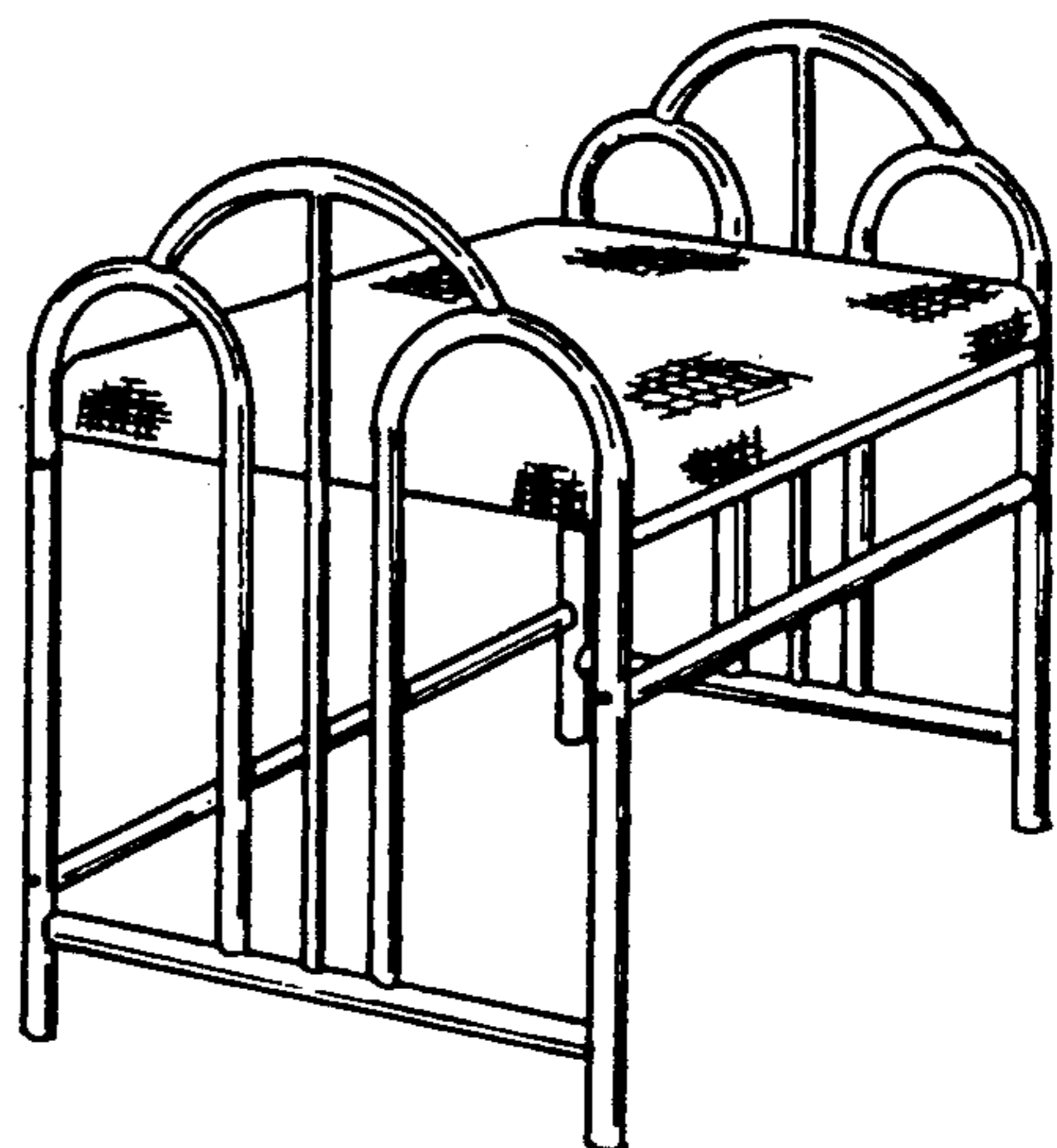
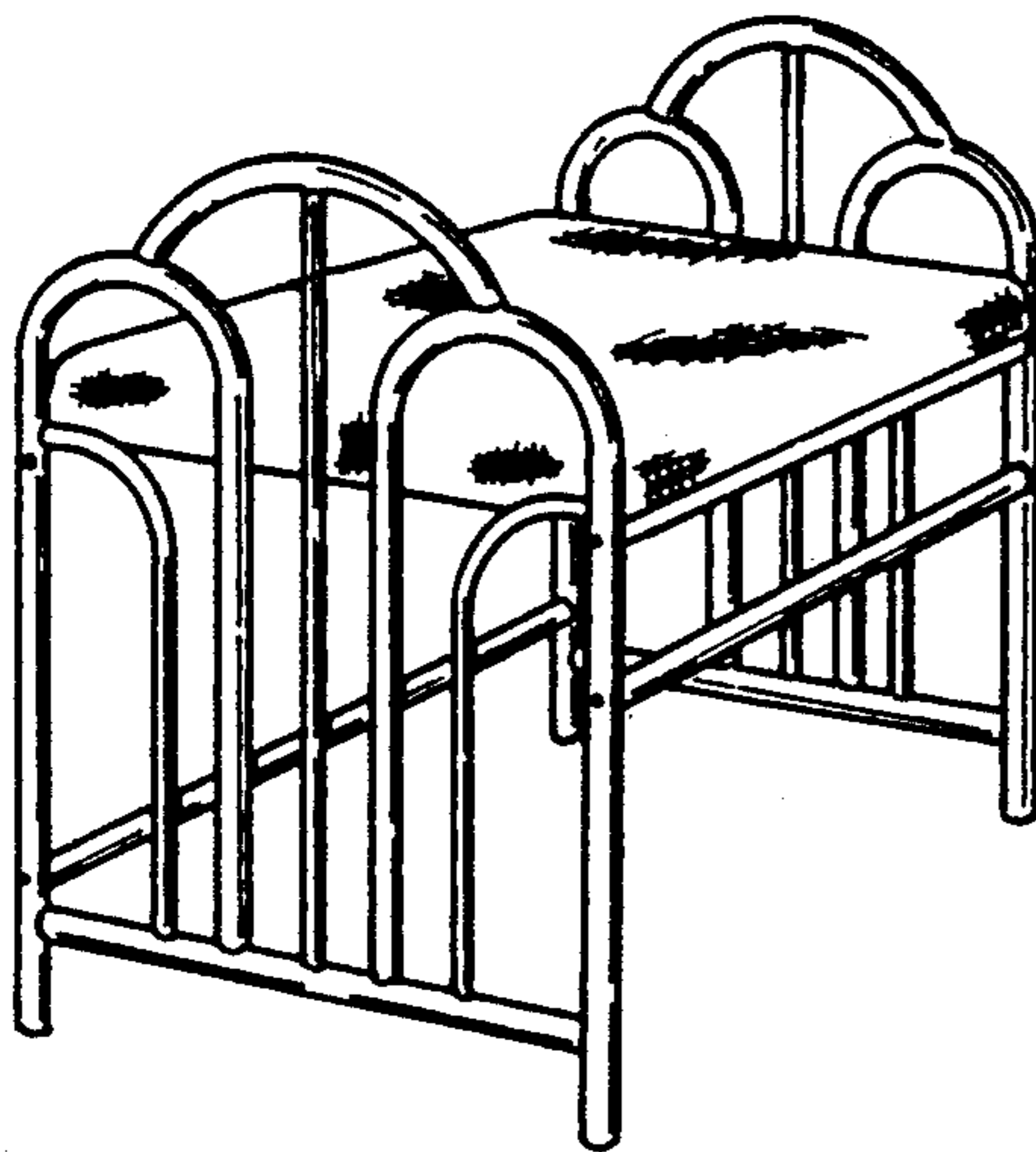
Primary Examiner—Carmen H. Vales-Lado
Attorney, Agent, or Firm—Rhodes, Coats & Bennett

[57] CLAIM

The ornamental design for a bench, as shown and described.

DESCRIPTION

FIG. 1 is a perspective view of a bench showing my new design;
 FIG. 2 is a rear perspective view thereof;
 FIG. 3 is a front elevational view thereof;
 FIG. 4 is a perspective view of a second embodiment of the bench shown in FIG. 1, the opposite side being a mirror image thereof;
 FIG. 5 is perspective view of a third embodiment of the bench shown in FIG. 1;
 FIG. 6 is side elevational view thereof; and
 FIG. 7 is a front elevational view thereof.



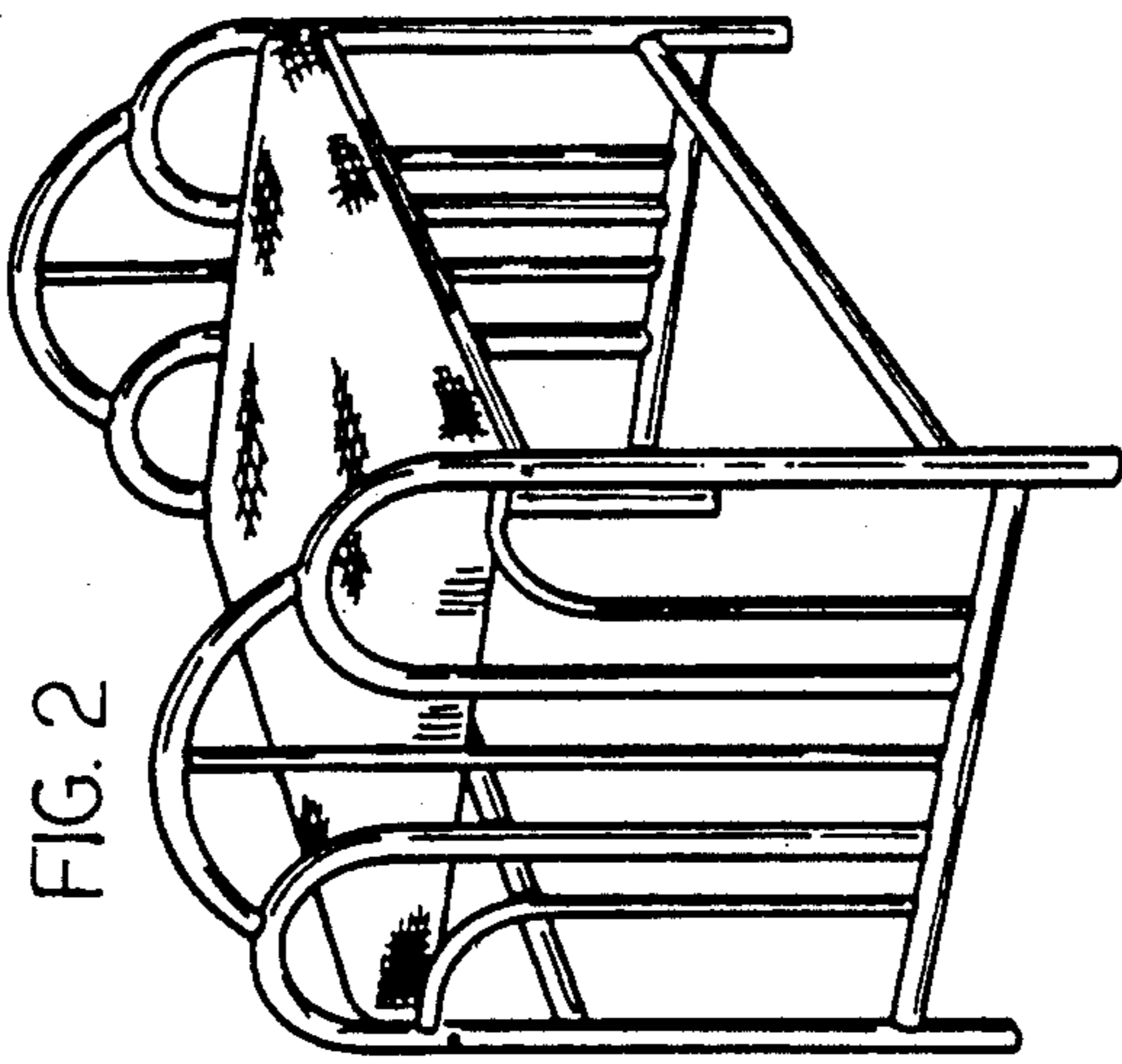


FIG. 2

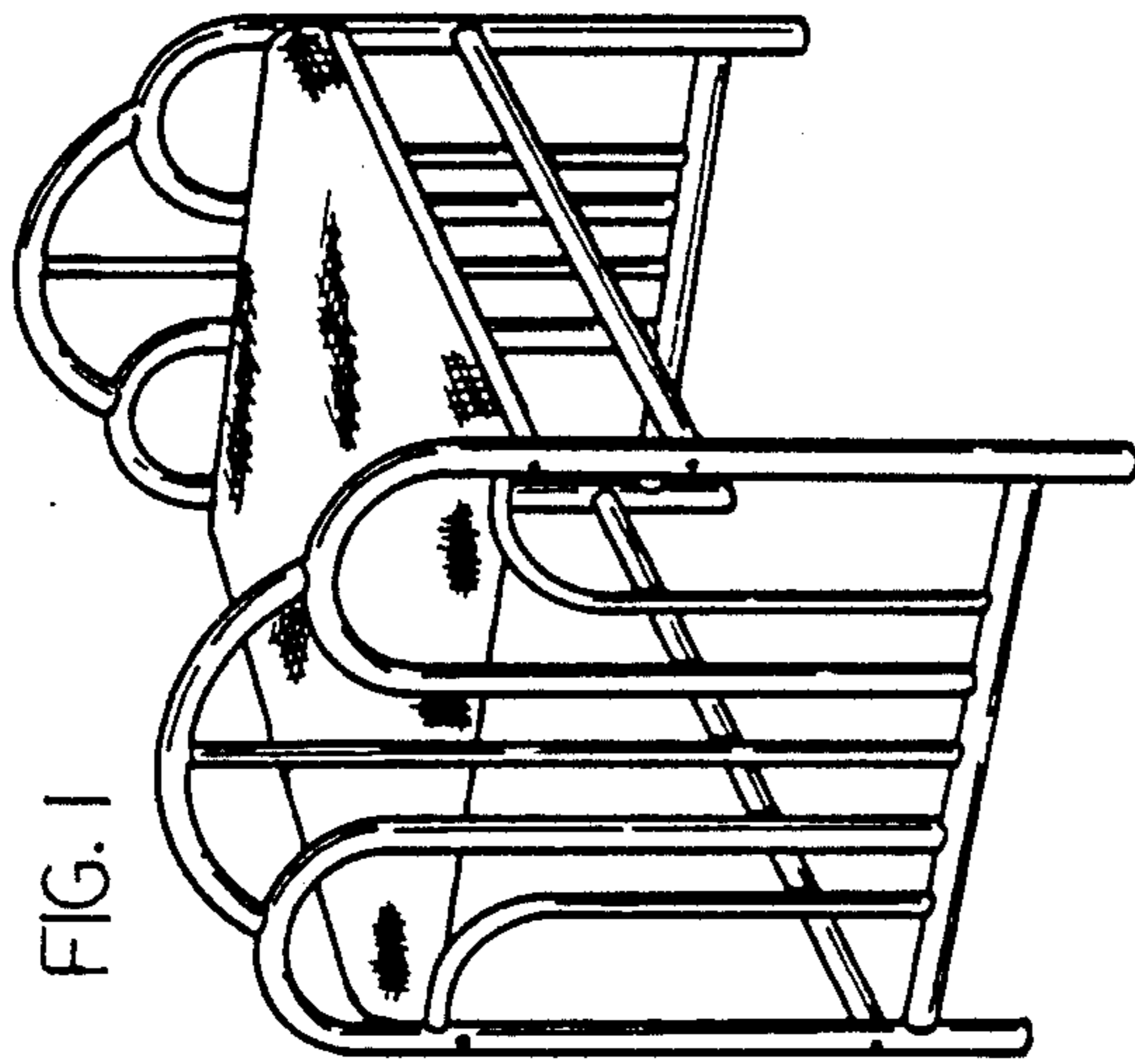


FIG. 1

FIG. 4

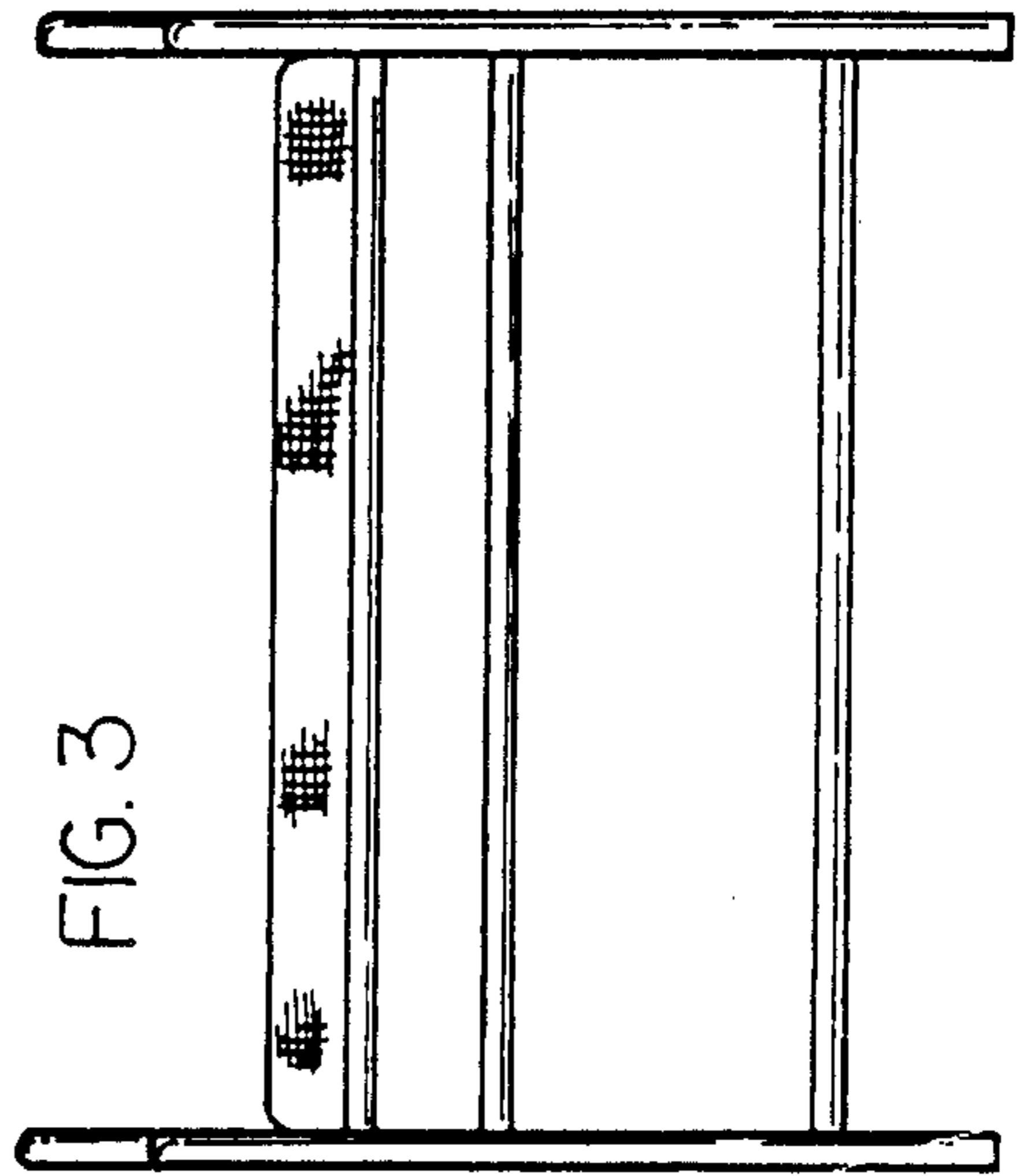
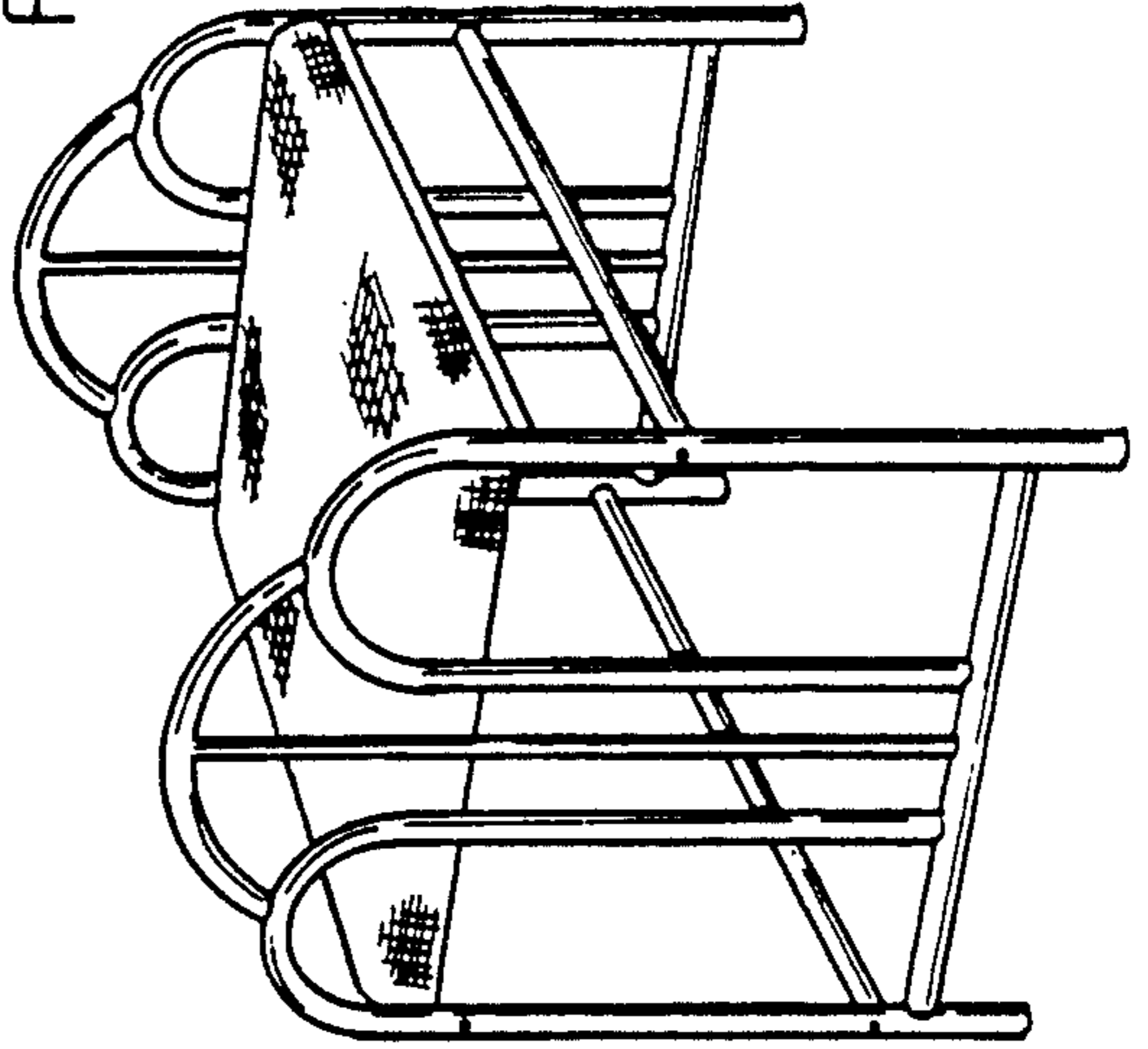


FIG. 3

FIG. 7

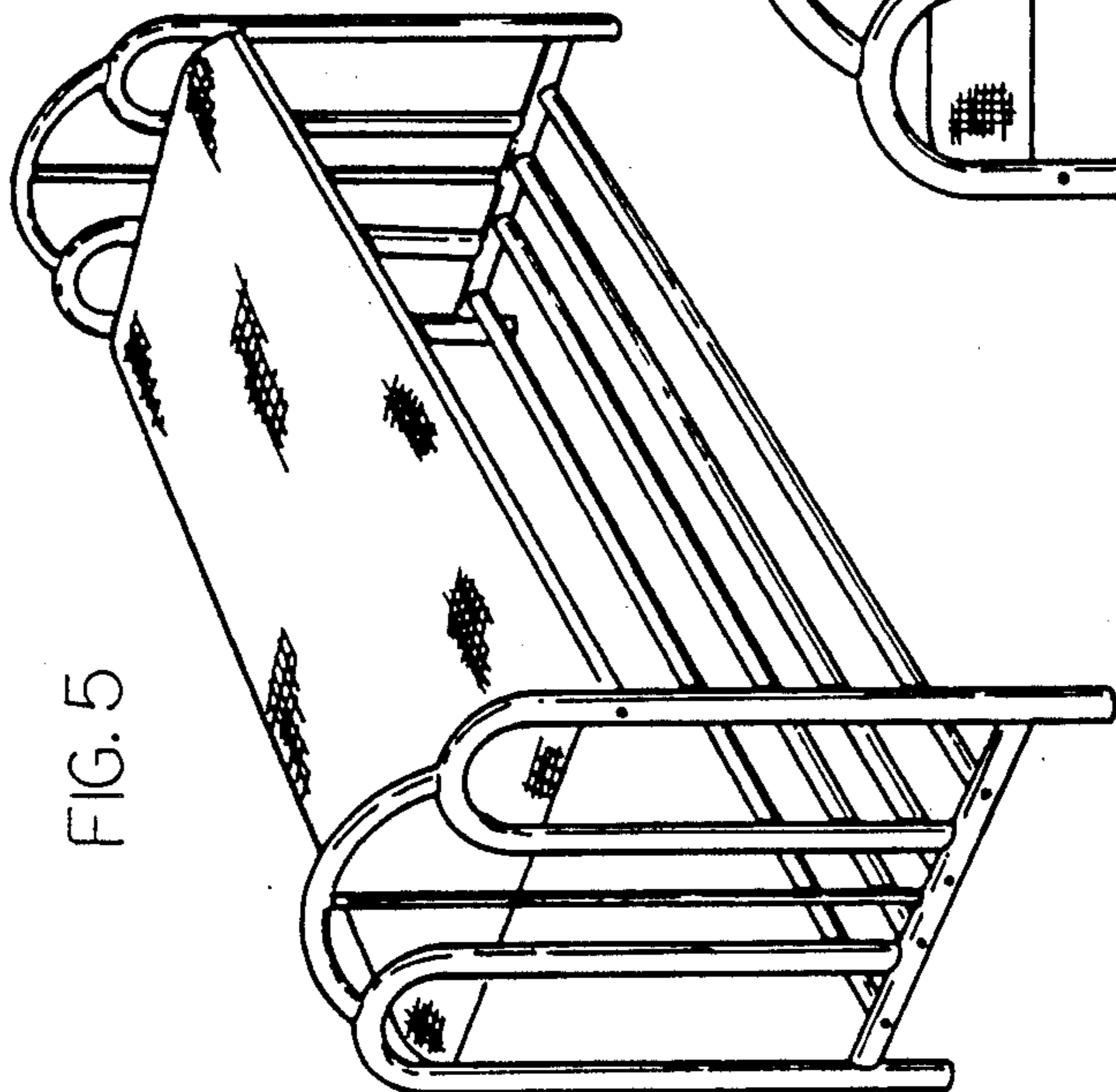
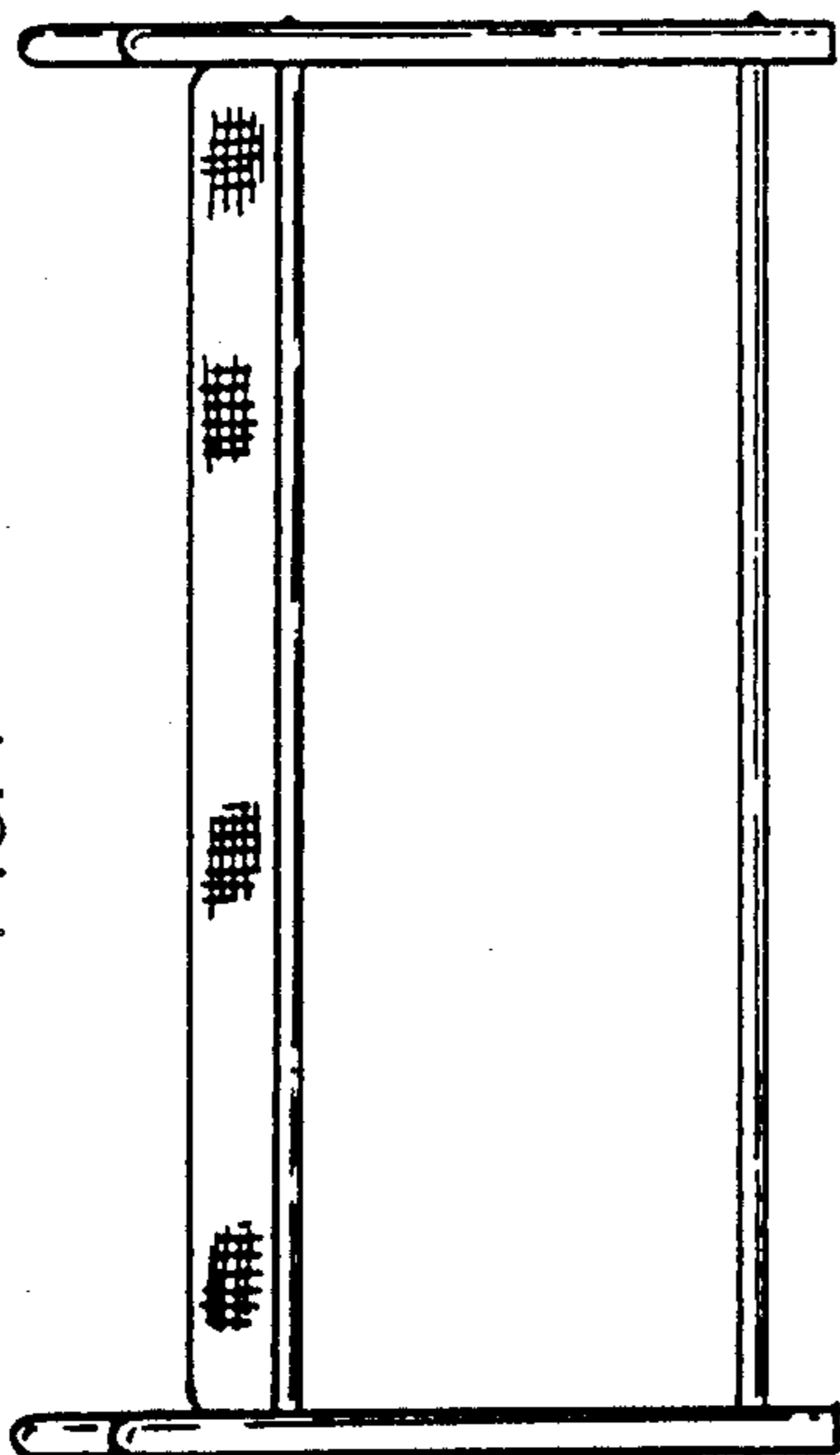


FIG. 5

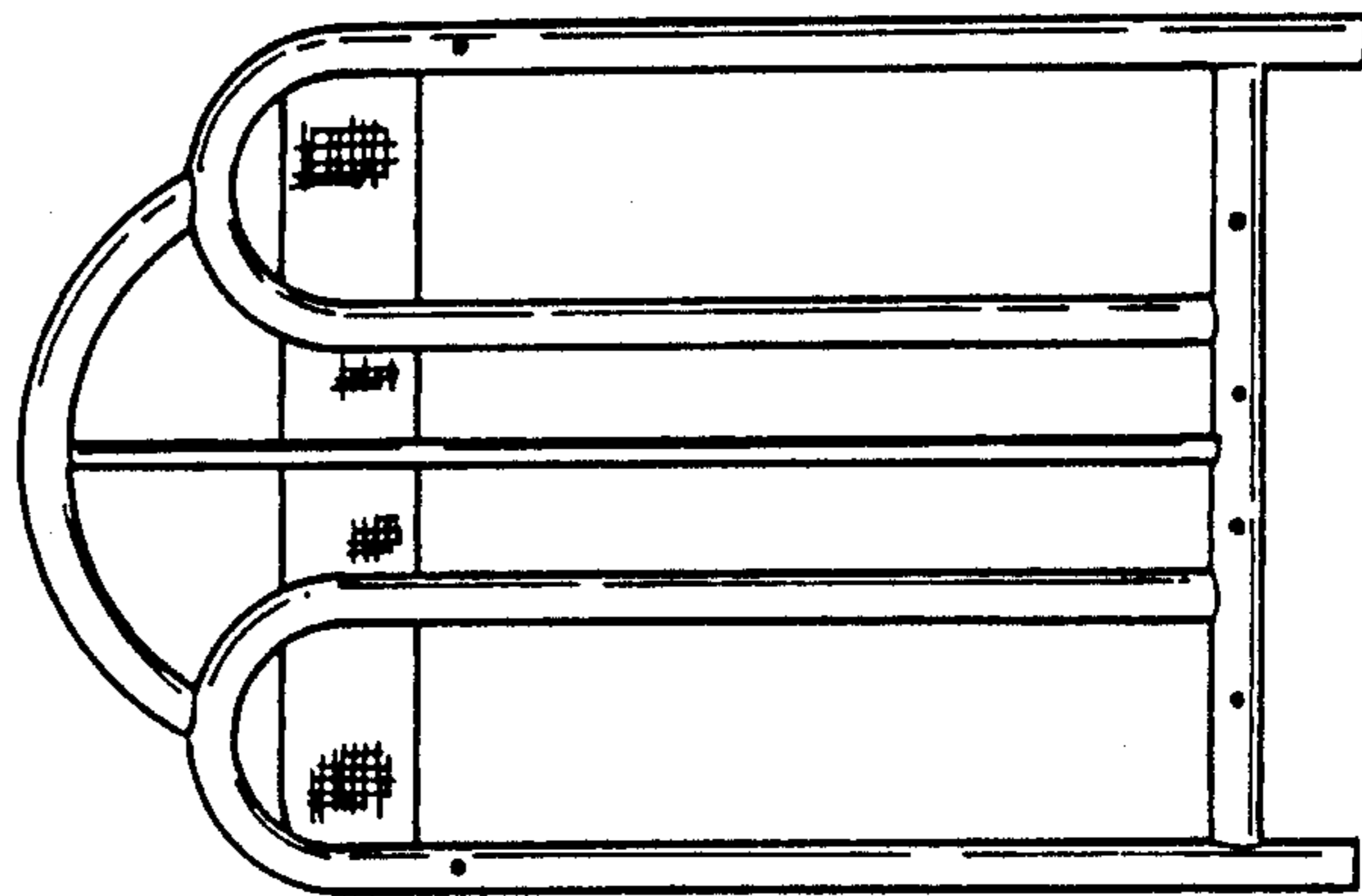


FIG. 6