

[54] **AUTOMOBILE SEAT TRAY**

[76] **Inventor: M. Michael Bledsoe, 6013 Dusty Rd., Watauga, Tex. 76148-3650**

[**] **Term: 14 Years**

[21] **Appl. No.: 19,291**

[22] **Filed: Feb. 26, 1987**

[52] **U.S. Cl. D3/40; D7/554**

[58] **Field of Search D3/40, 99; D12/155; D7/37, 38; 224/42.11, 42.42, 273, 275, 329**

[56] **References Cited**

U.S. PATENT DOCUMENTS

- D. 192,465 3/1962 Brady D12/155
- D. 280,466 9/1985 Seltzer et al. D3/40
- D. 280,960 10/1985 Dodd et al. D7/38

- D. 282,335 1/1986 Dodd et al. D7/38
- 3,288,187 11/1966 Wheaton D7/37 X

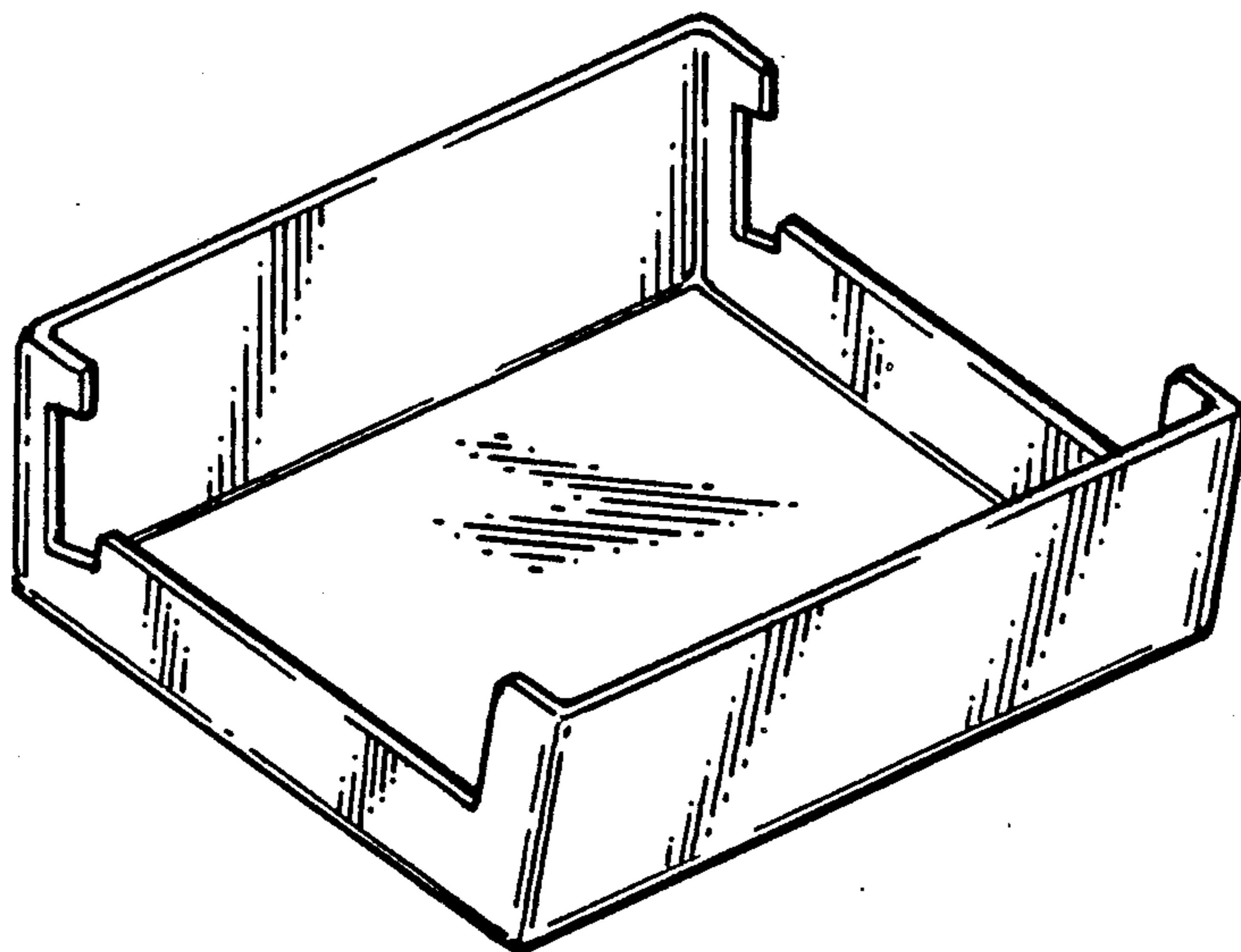
Primary Examiner—Louis S. Zarfaz
Attorney, Agent, or Firm—Timmons & Kelly

[57] **CLAIM**

The ornamental design for an automobile seat tray, as shown and described.

DESCRIPTION

FIG. 1 is a perspective view of an automobile seat tray showing my new design;
 FIG. 2 is a front elevational view thereof;
 FIG. 3 is a left side elevational view thereof;
 FIG. 4 is a top plan view thereof;
 FIG. 5 is a bottom plan view thereof;
 FIG. 6 is a rear elevational view thereof; and
 FIG. 7 is a right side elevational view thereof.



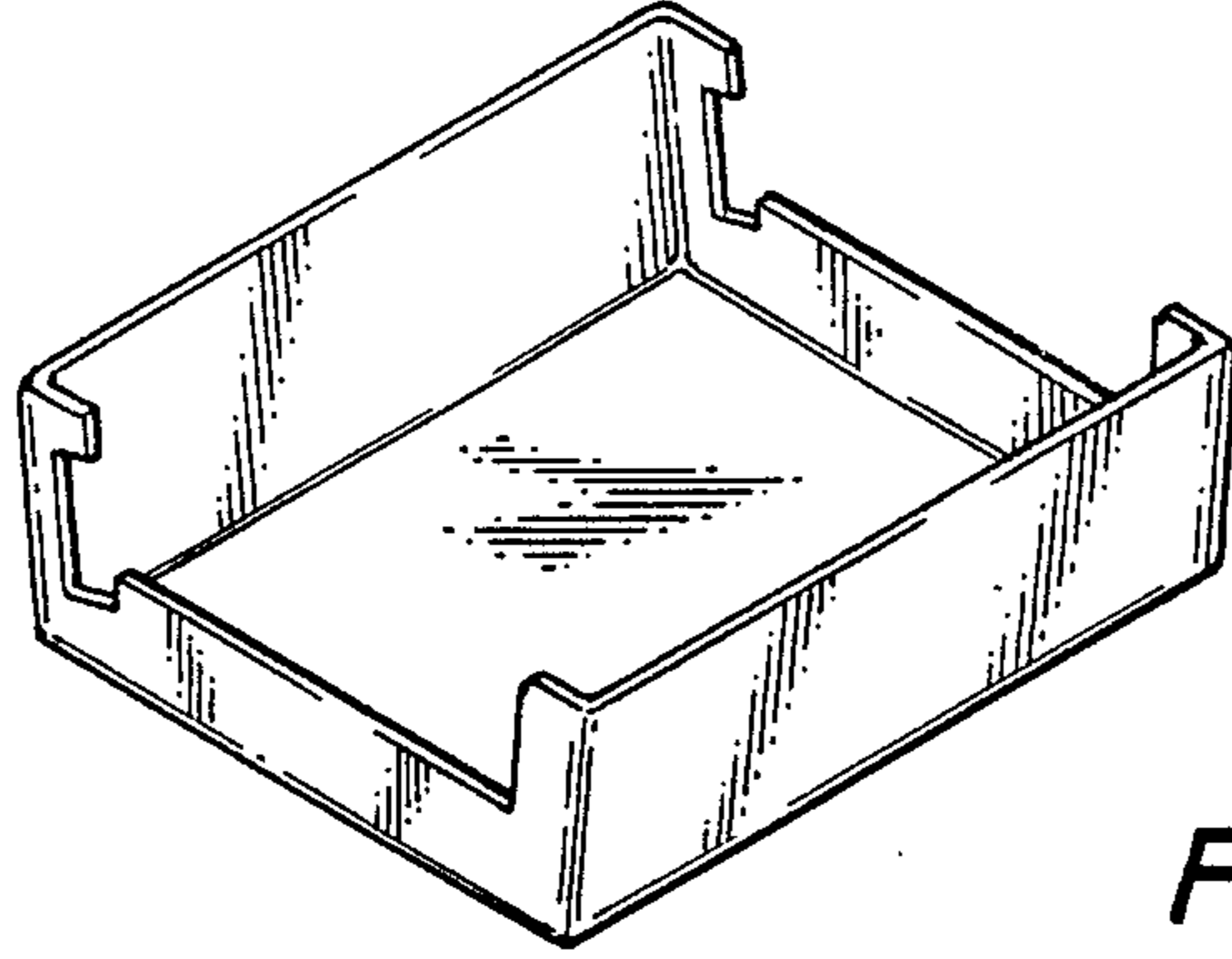


FIG. 1

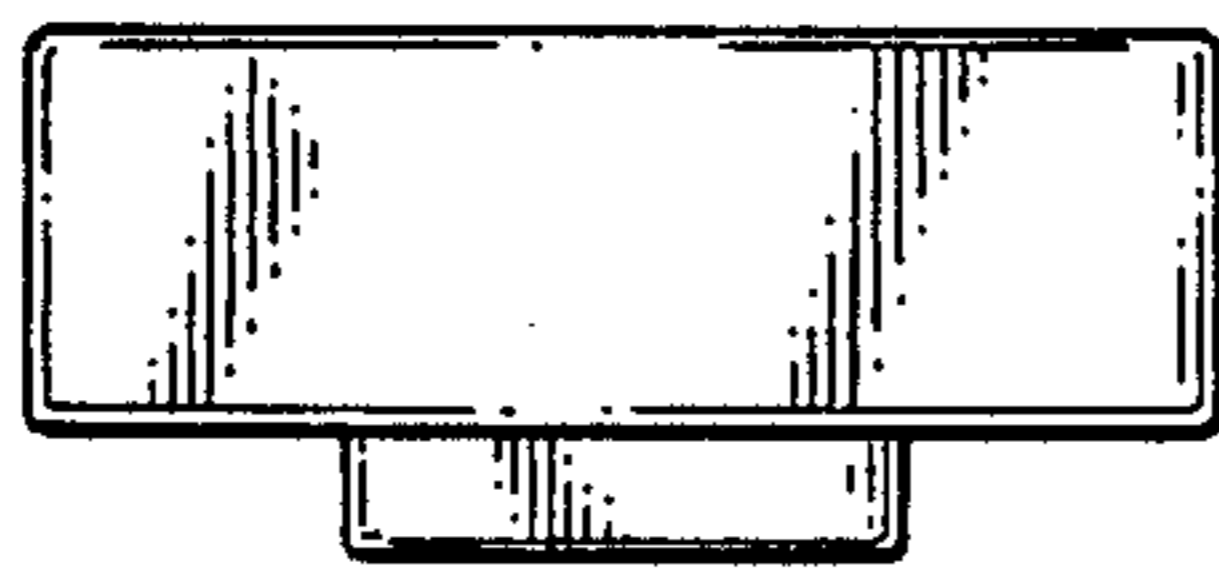


FIG. 2



FIG. 3

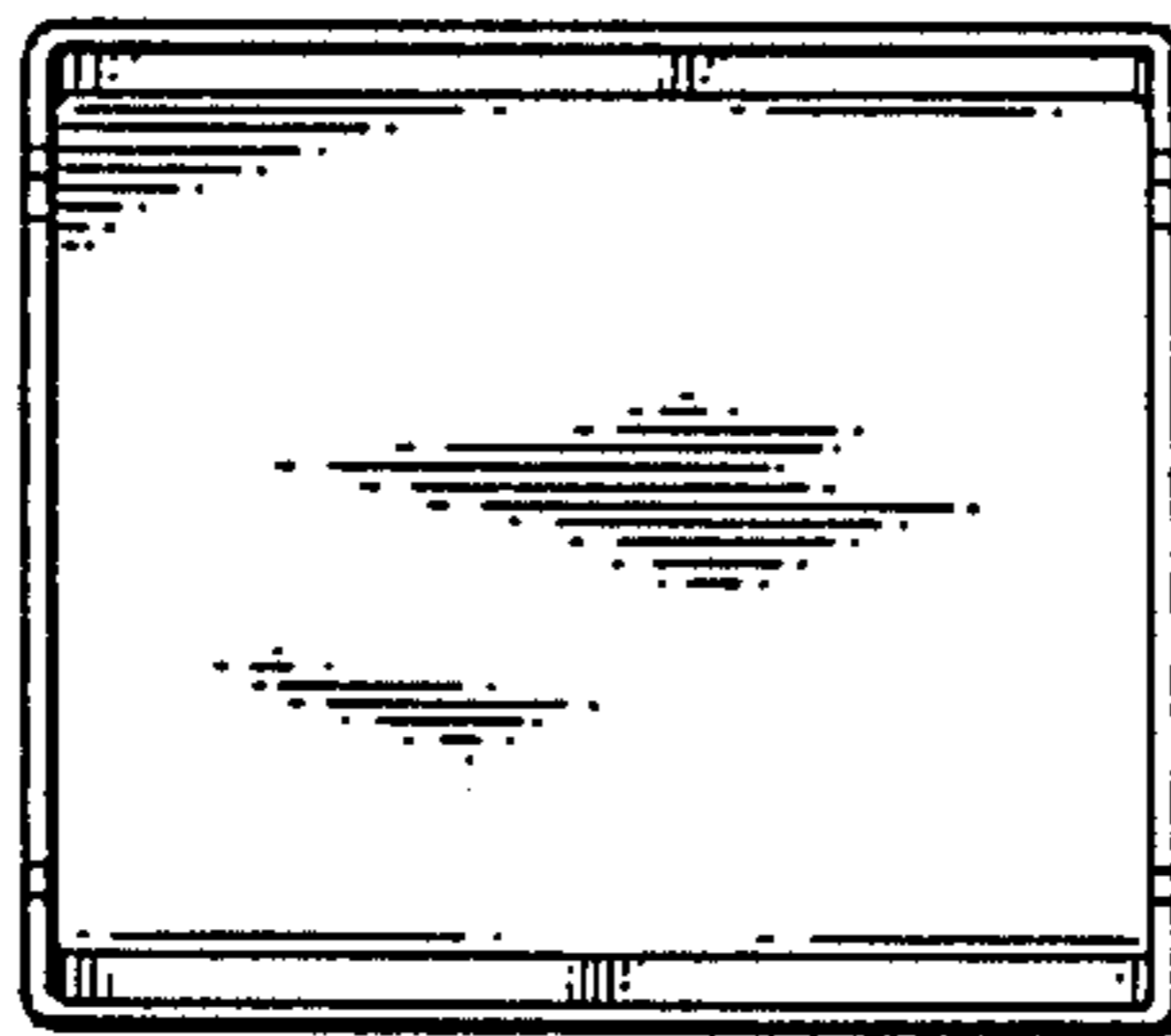


FIG. 4

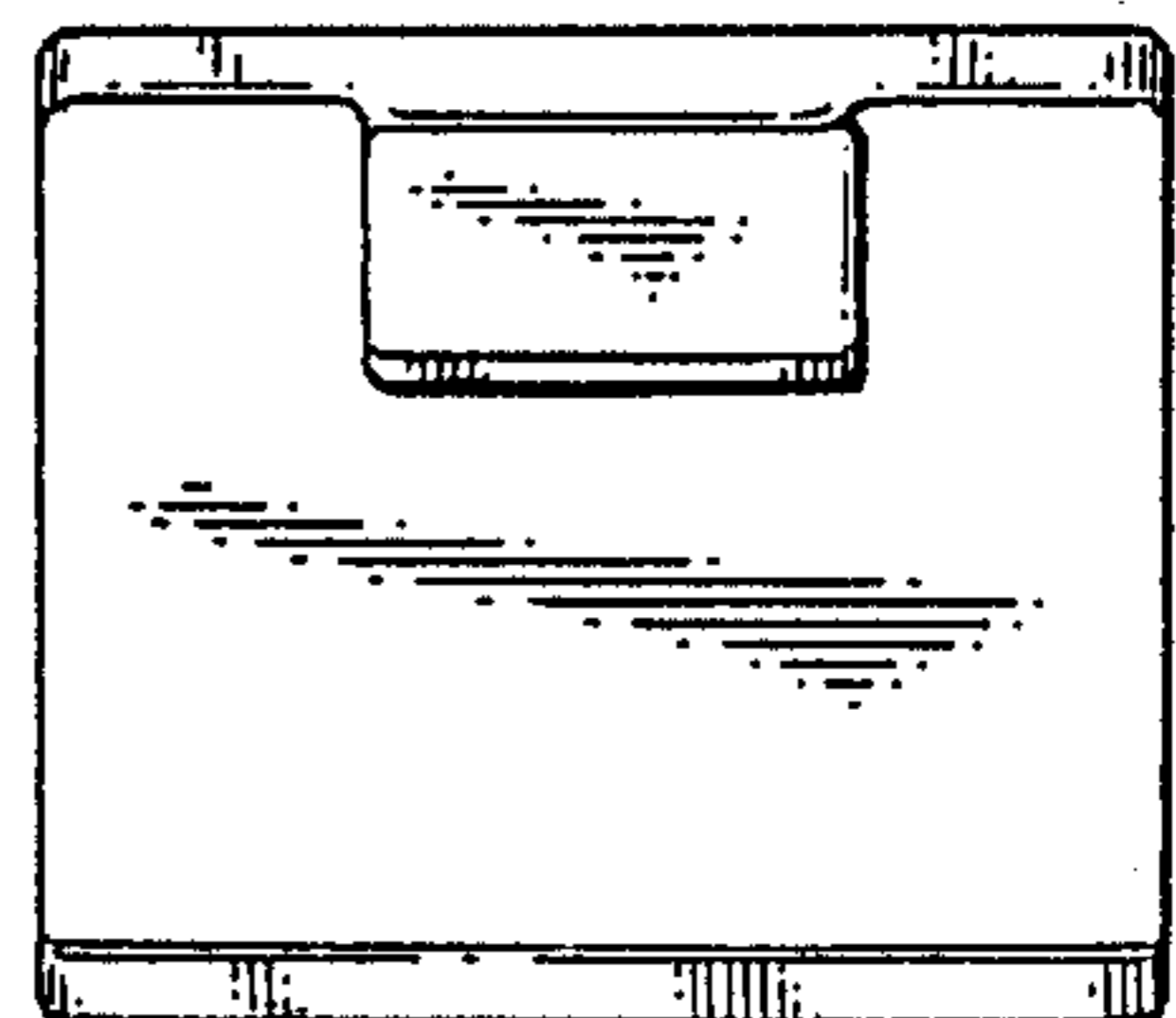


FIG. 5

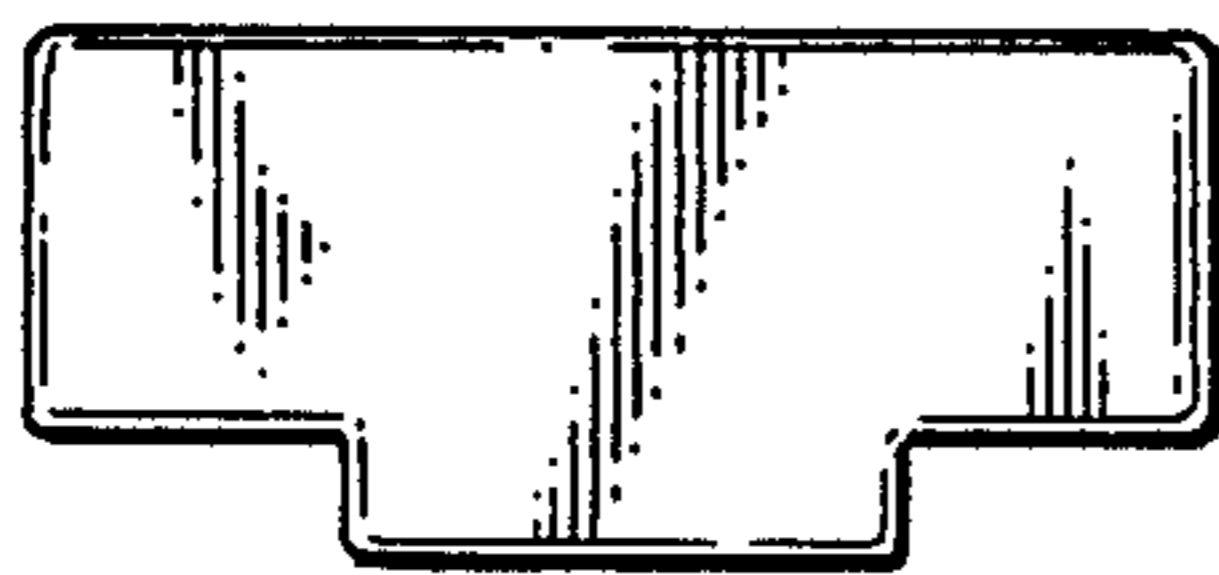


FIG. 6

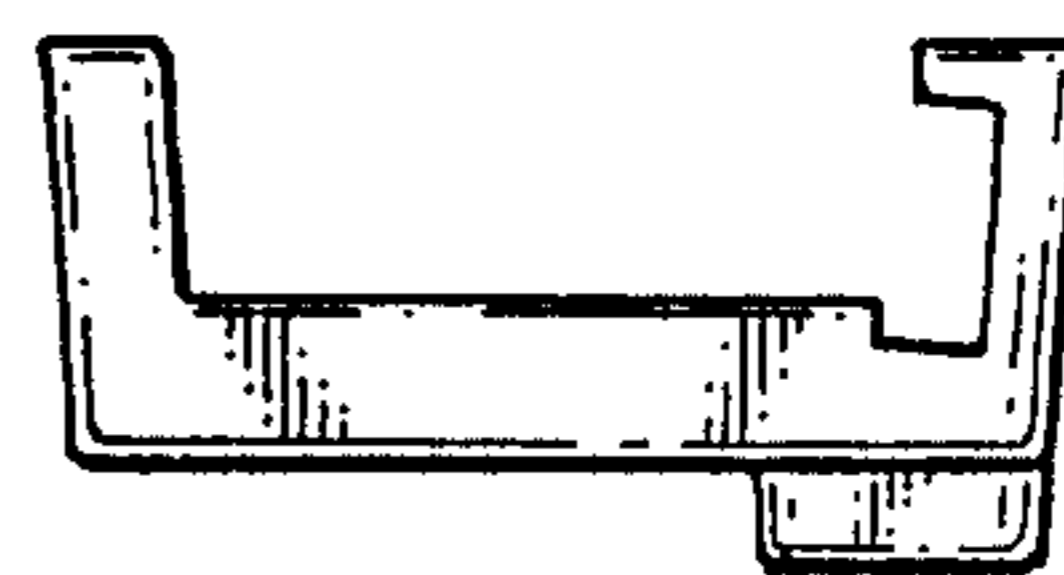


FIG. 7