

[54] **EMBROIDERY WORK STATION**

[76] **Inventor: Gerald A. Peters, Box 1020, Carnegie, Okla. 73015**

[**] **Term: 14 Years**

[21] **Appl. No.: 27,495**

[22] **Filed: Mar. 18, 1987**

[52] **U.S. Cl. D3/26**

[58] **Field of Search D3/18, 20-29; D9/303; 38/102.2; 223/106-109 A, 120; 242/130, 134, 139; 248/349; 211/129; 312/125, 305; D15/66, 78**

[56] **References Cited**

U.S. PATENT DOCUMENTS

145,297	12/1873	Harris	D3/25 X
D. 182,269	3/1958	Brown et al.	D3/25
669,828	3/1901	Gornston	242/134
970,282	9/1910	Vermilyea et al.	D15/66 X
1,249,706	12/1917	Zimmerman	223/107 X

1,580,687 4/1926 Selbst 242/139

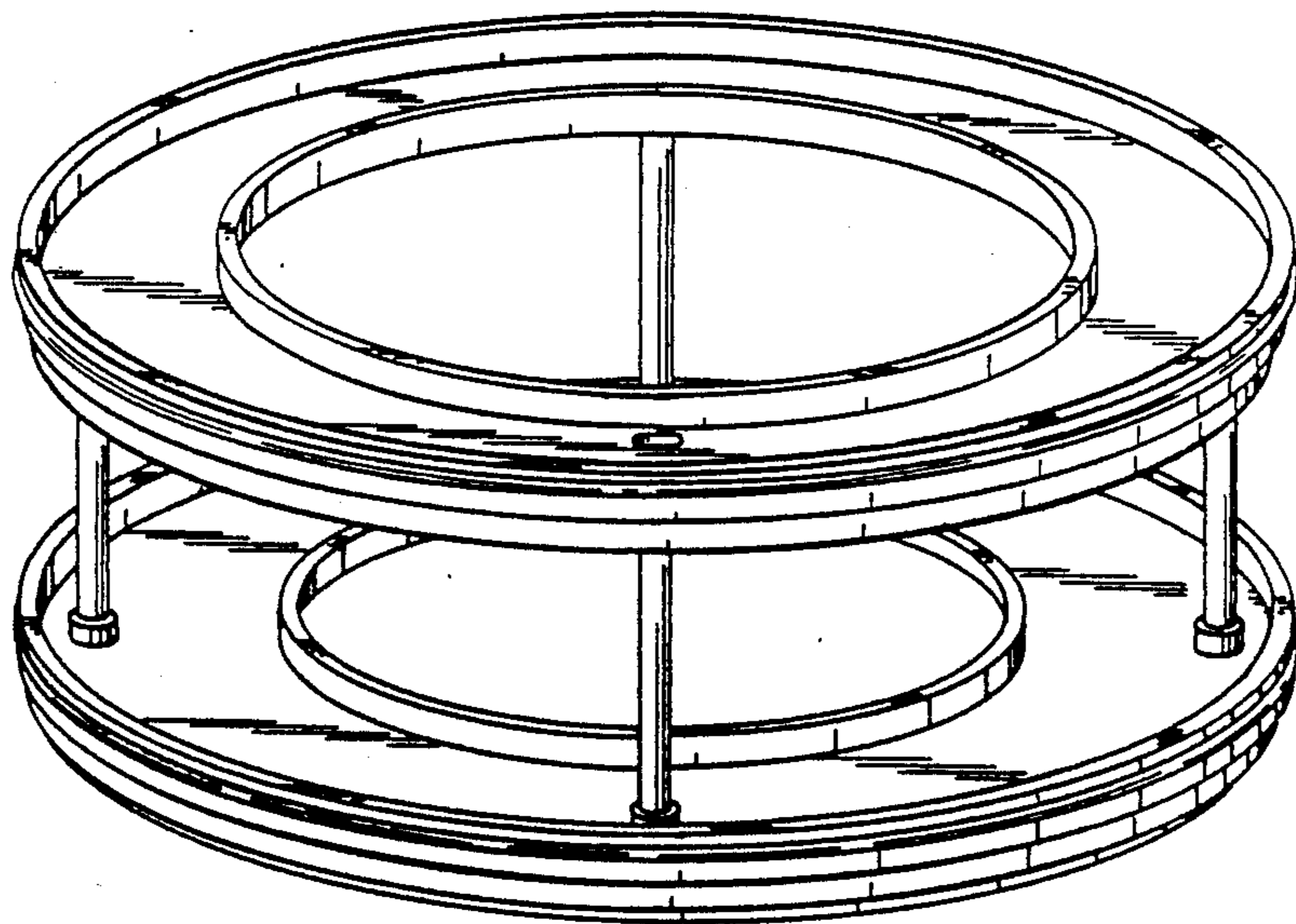
Primary Examiner—Louis S. Zarfas
Attorney, Agent, or Firm—Laney, Dougherty, Hessin & Beavers

[57] **CLAIM**

The ornamental design for an embroidery work station, as shown and described.

DESCRIPTION

FIG. 1 is a front elevational view of an embroidery work station, showing my new design;
FIG. 2 is a perspective view thereof;
FIG. 3 is a top plan view thereof;
FIG. 4 is a bottom plan view thereof;
FIG. 5 is a cross-sectional view thereof, taken along line 5—5 of FIG. 1;
FIG. 6 is a cross-sectional view thereof, taken along line 6—6 of FIG. 1; and
FIG. 7 is a cross-sectional view thereof, taken along line 7—7 of FIG. 1.



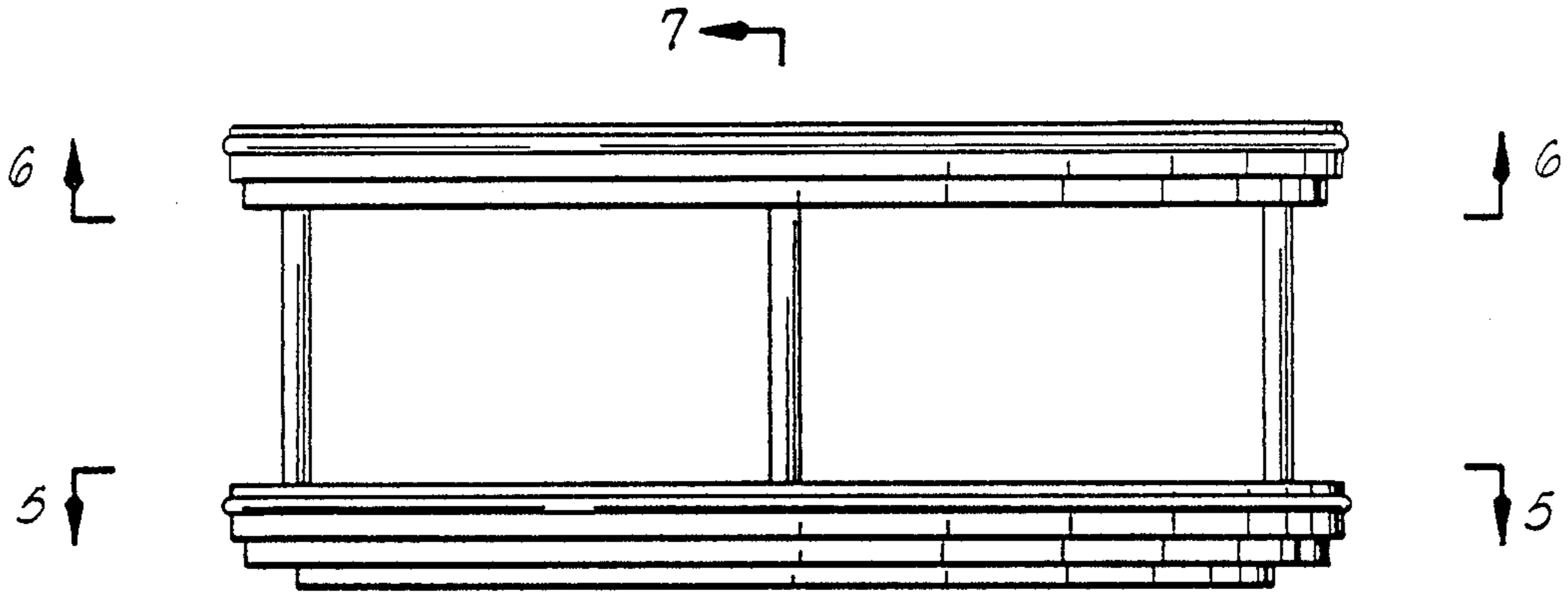


FIG. 1

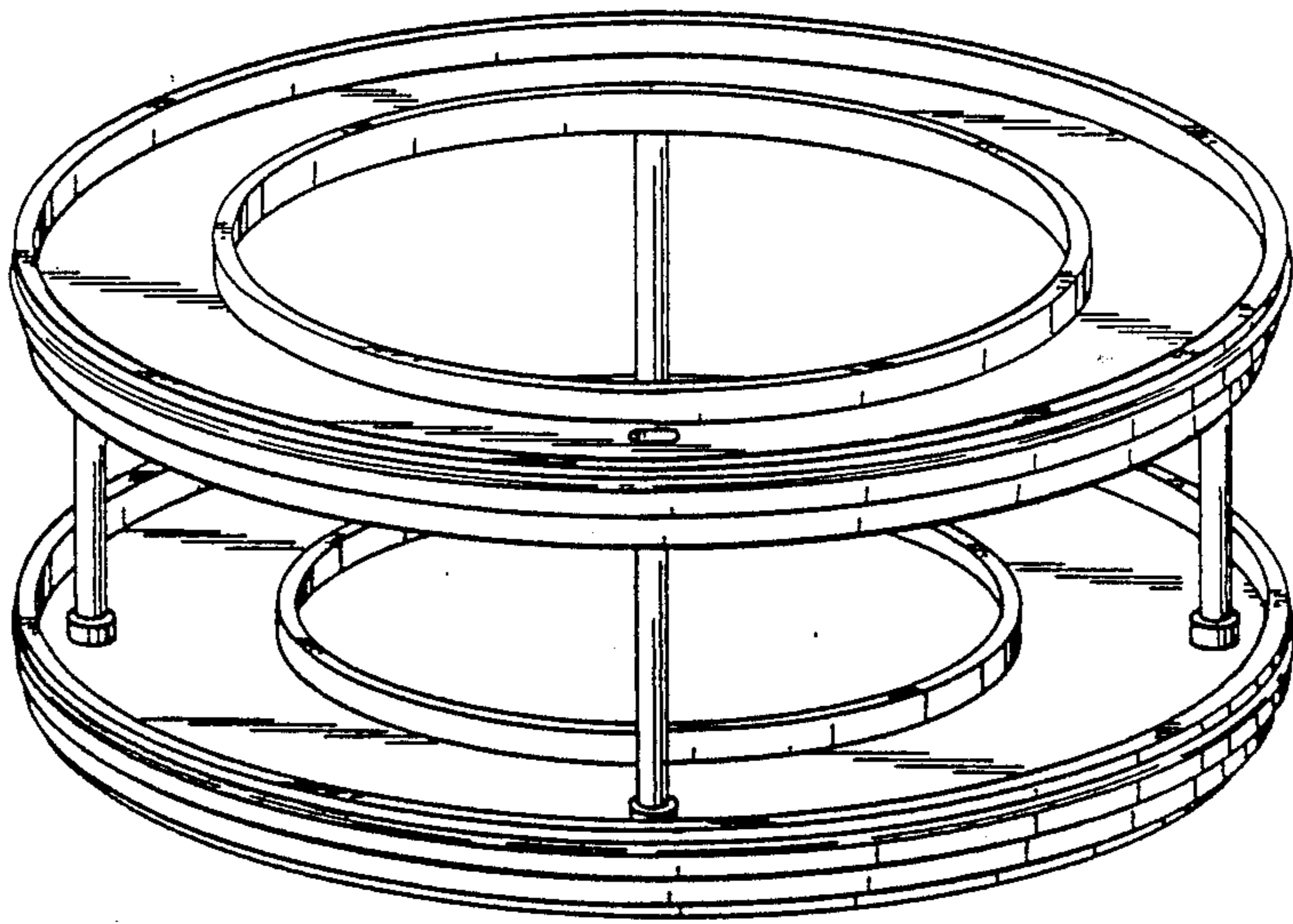


FIG. 2

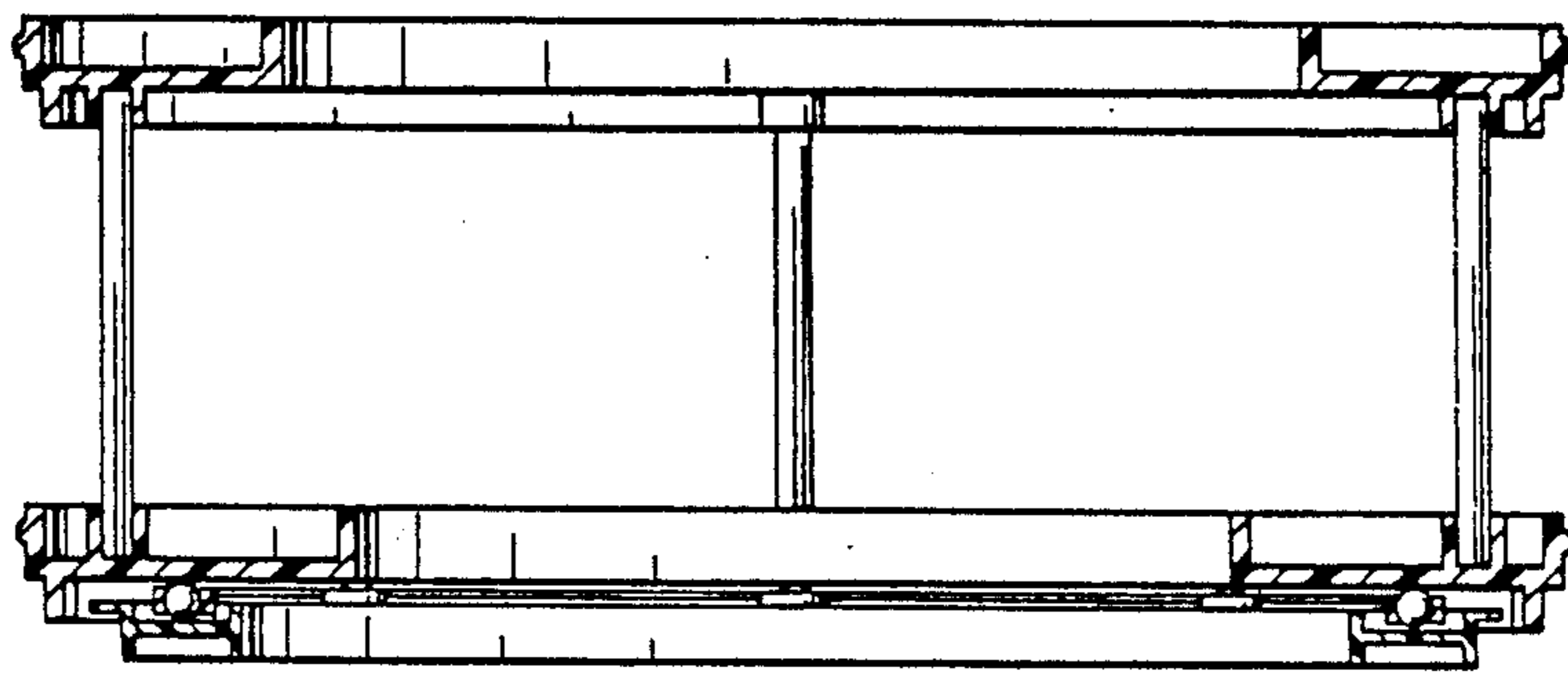


FIG. 3

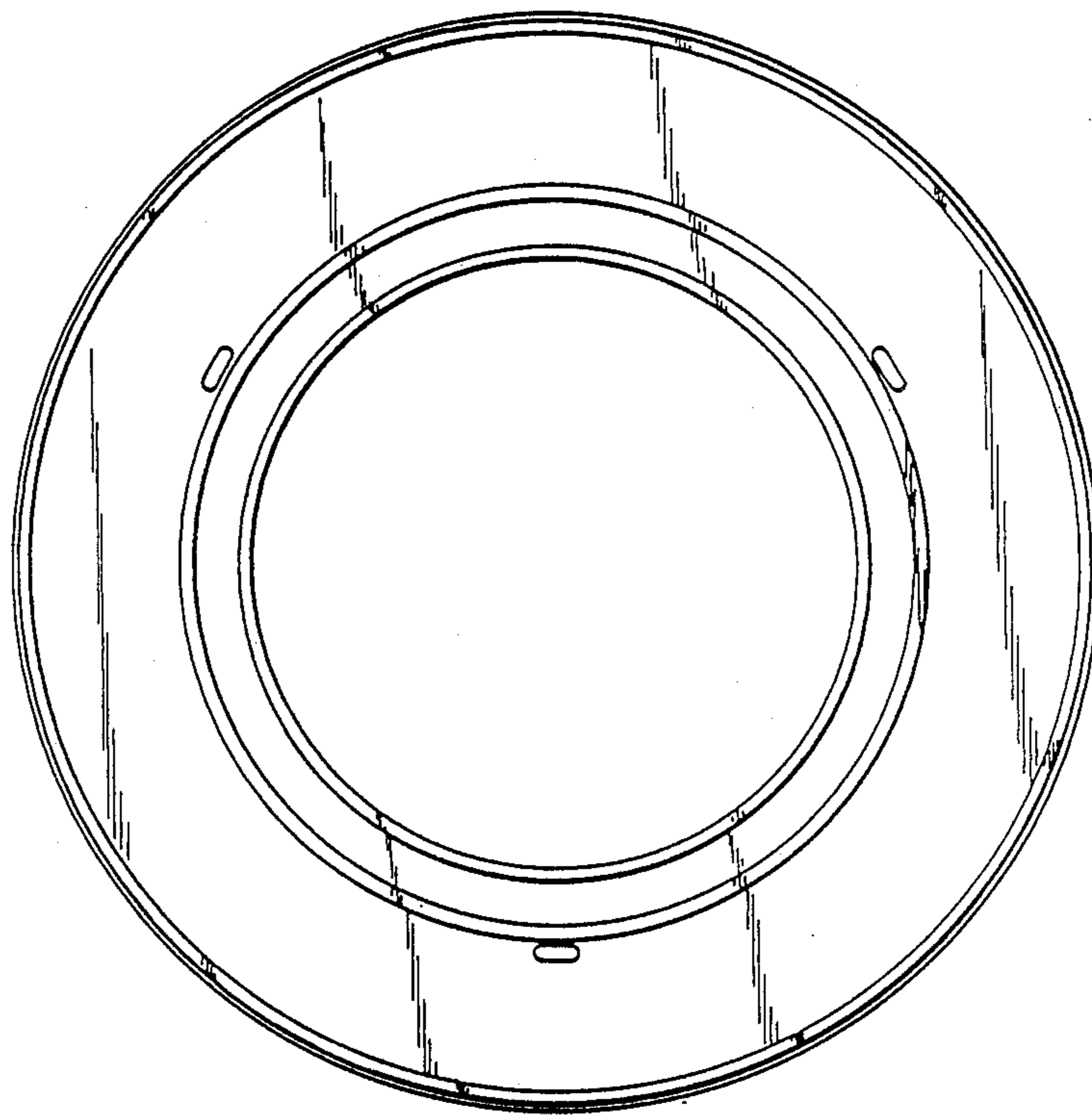


FIG. 3

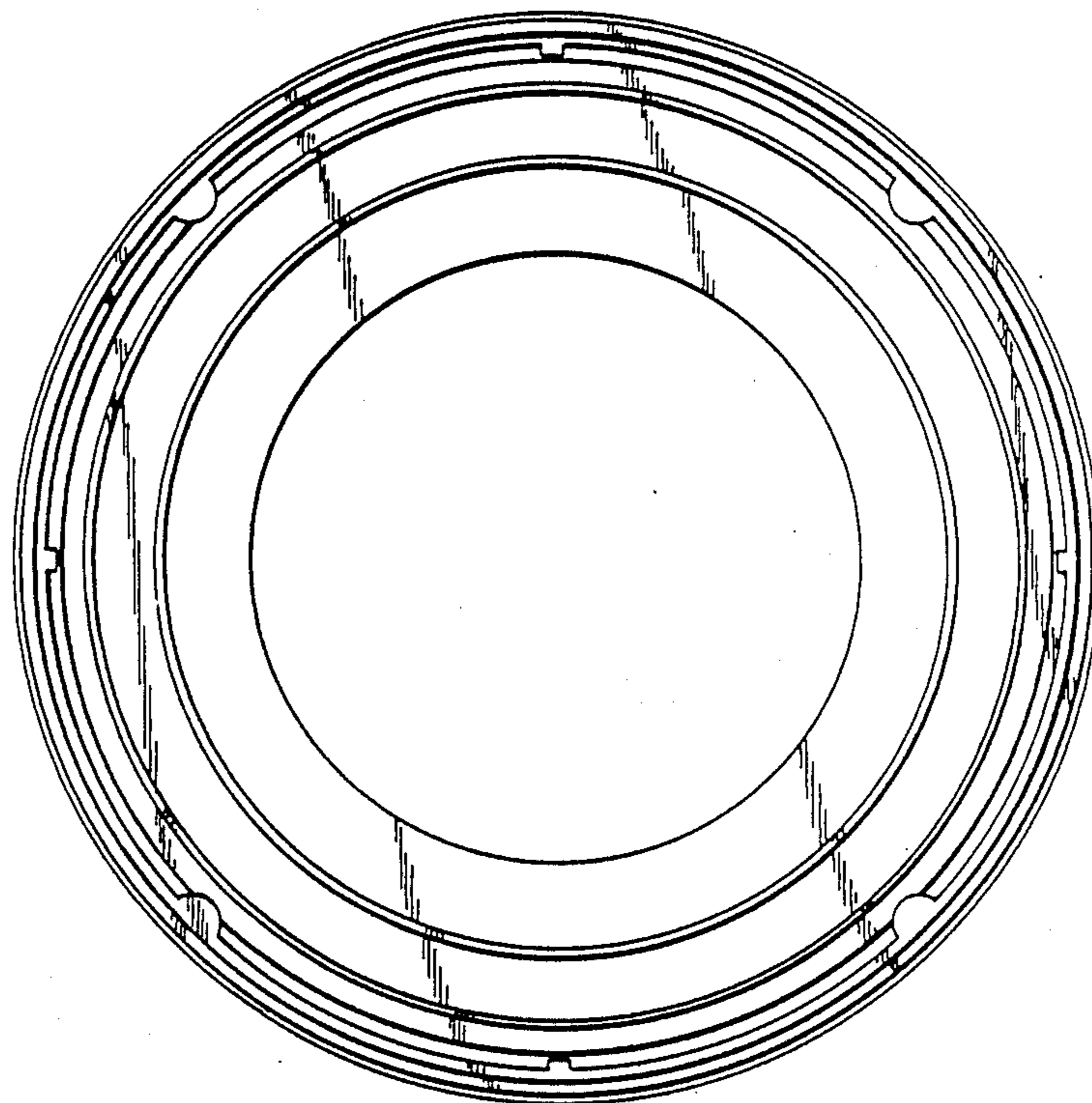


FIG. 4

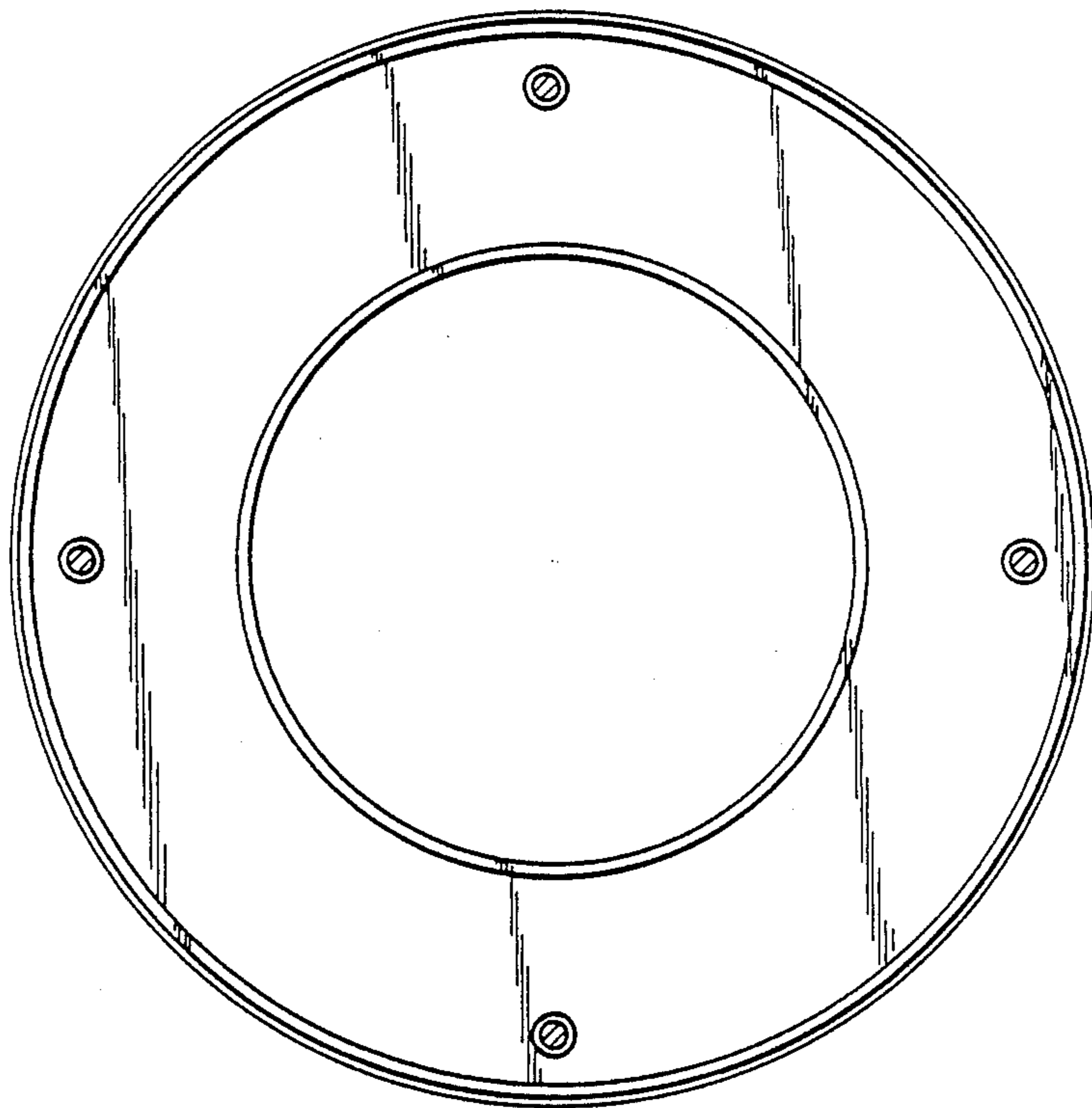


FIG. 3

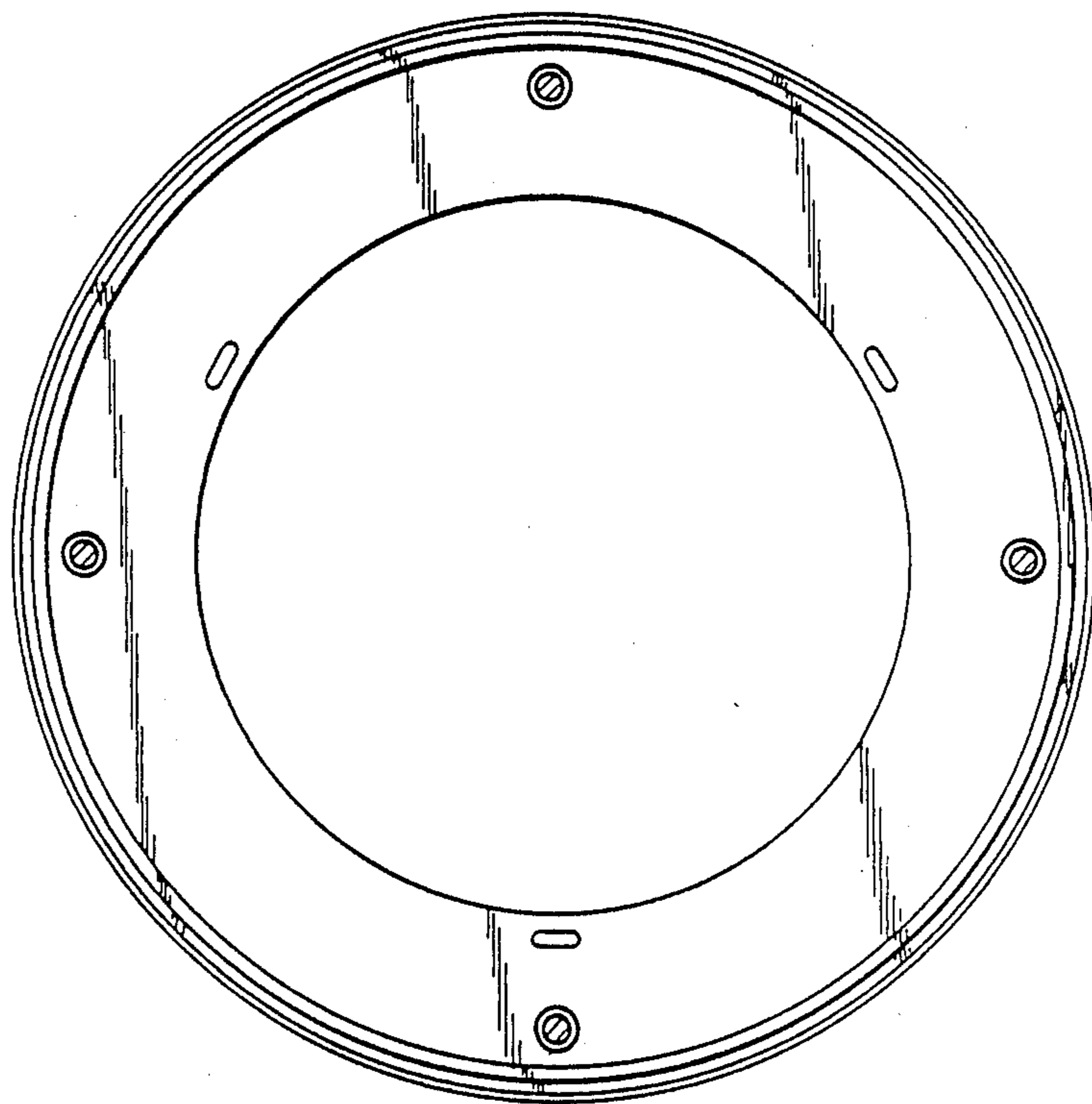


FIG. 4