

[54] EMBROIDERY WORK STATION

[76] Inventor: Gerald A. Peters, Box 1020, Carnegie, Okla. 73015

[\*\*] Term: 14 Years

[21] Appl. No.: 27,497

[22] Filed: Mar. 18, 1987

[52] U.S. Cl. .... D3/26; D15/66

[58] Field of Search ..... D3/18, 20-29; D9/303; 38/102.2; 223/106-109 A, 120; 242/130, 134, 139; 248/349; 211/129; 312/124, 305; D15/66, 78

[56] References Cited

U.S. PATENT DOCUMENTS

145,297	12/1873	Harris	.....	D3/25	X
D. 182,269	3/1958	Brown et al.	.....	D3/25	
D. 244,755	6/1977	Bard	.....	D15/66	
669,828	3/1901	Gornston	.....	242/134	
970,282	9/1910	Vormilyea et al.	.....	D15/66	X
1,249,706	12/1917	Zimmerman	.....	223/107	X
1,580,687	4/1926	Selbst	.....	242/139	
4,010,562	3/1977	Maier	.....	D3/26	X

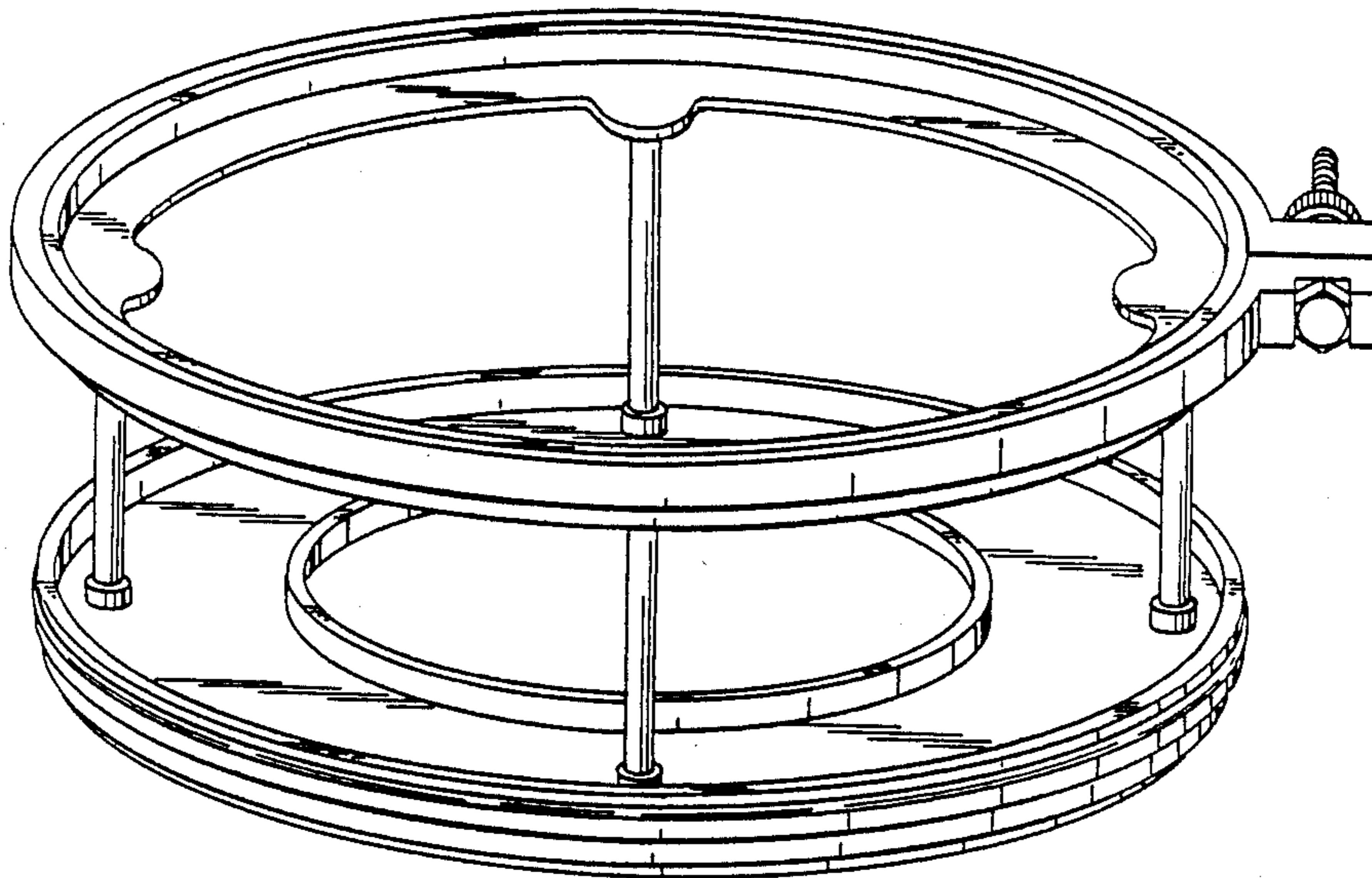
Primary Examiner—Louis S. Zarfes  
Attorney, Agent, or Firm—Laney, Dougherty, Hessin & Beavers

[57] CLAIM

The ornamental design for an embroidery work station, as shown and described.

DESCRIPTION

FIG. 1 is a front elevational view of an embroidery work station, showing my new design; FIG. 2 is a perspective view thereof; FIG. 3 is a top plan view thereof; FIG. 4 is a bottom plan view thereof; FIG. 5 is a cross-sectional view thereof, taken along line 5—5 of FIG. 1; FIG. 6 is a cross-sectional view thereof, taken along line 6—6 of FIG. 1; FIG. 7 is a cross-sectional view thereof, taken along line 7—7 of FIG. 1; FIG. 8 is a side elevational view thereof, as seen from the right of FIG. 1; FIG. 9 is a rear elevational view thereof; and FIG. 10 is a side elevational view thereof, as seen from the left of FIG. 1.



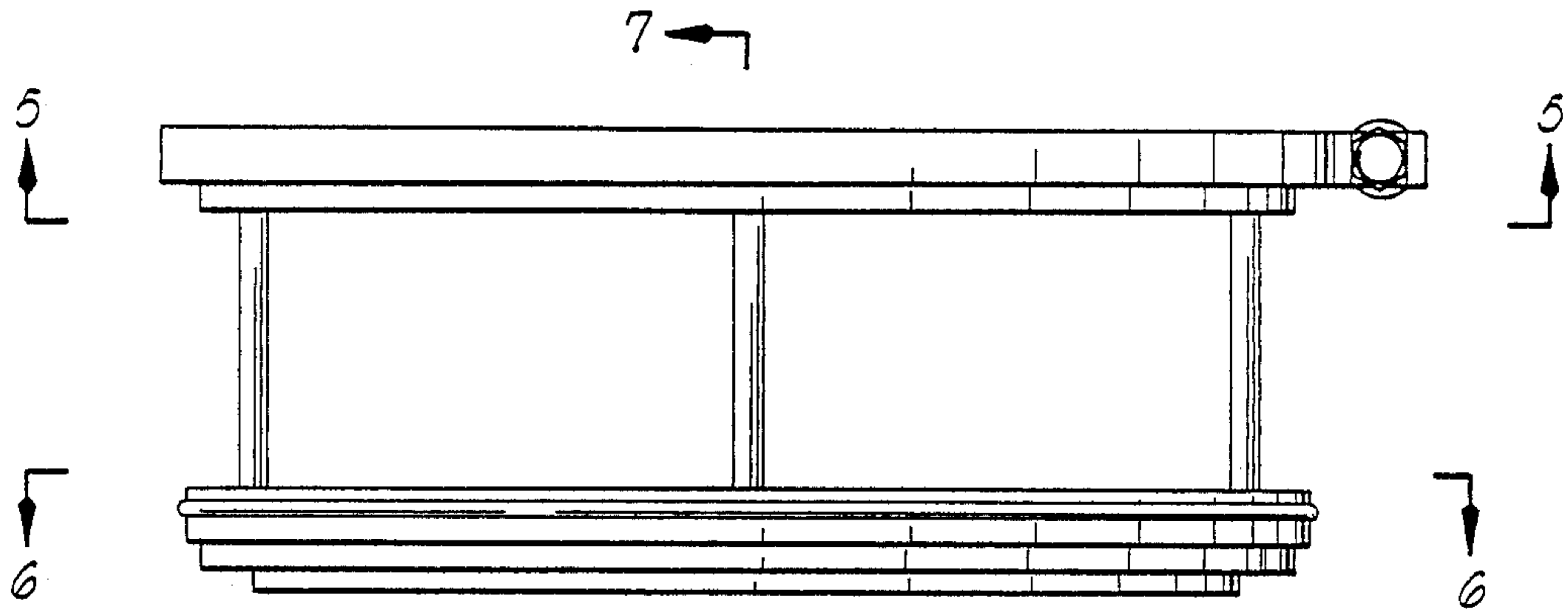


FIG. 1

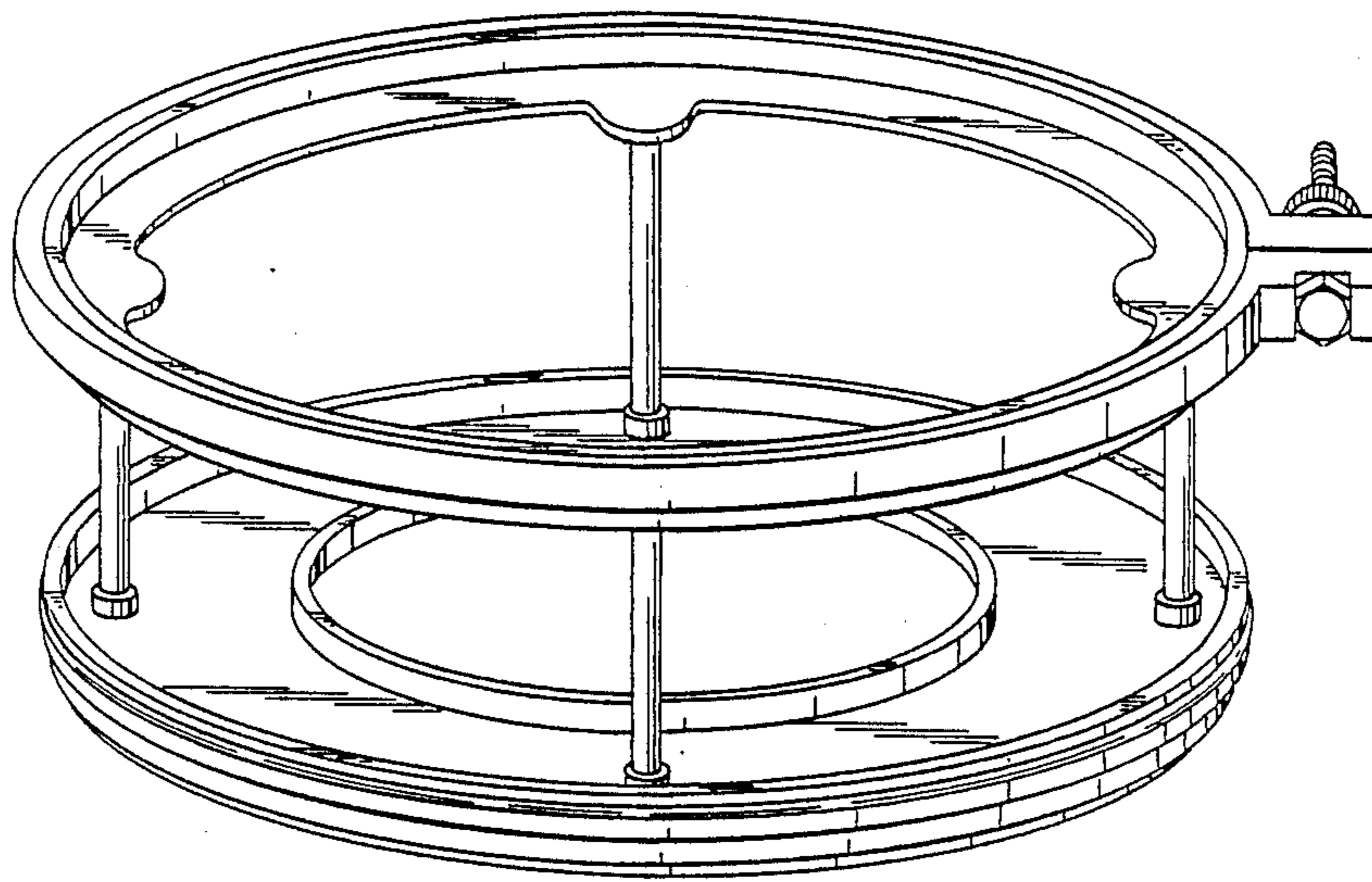


FIG. 2

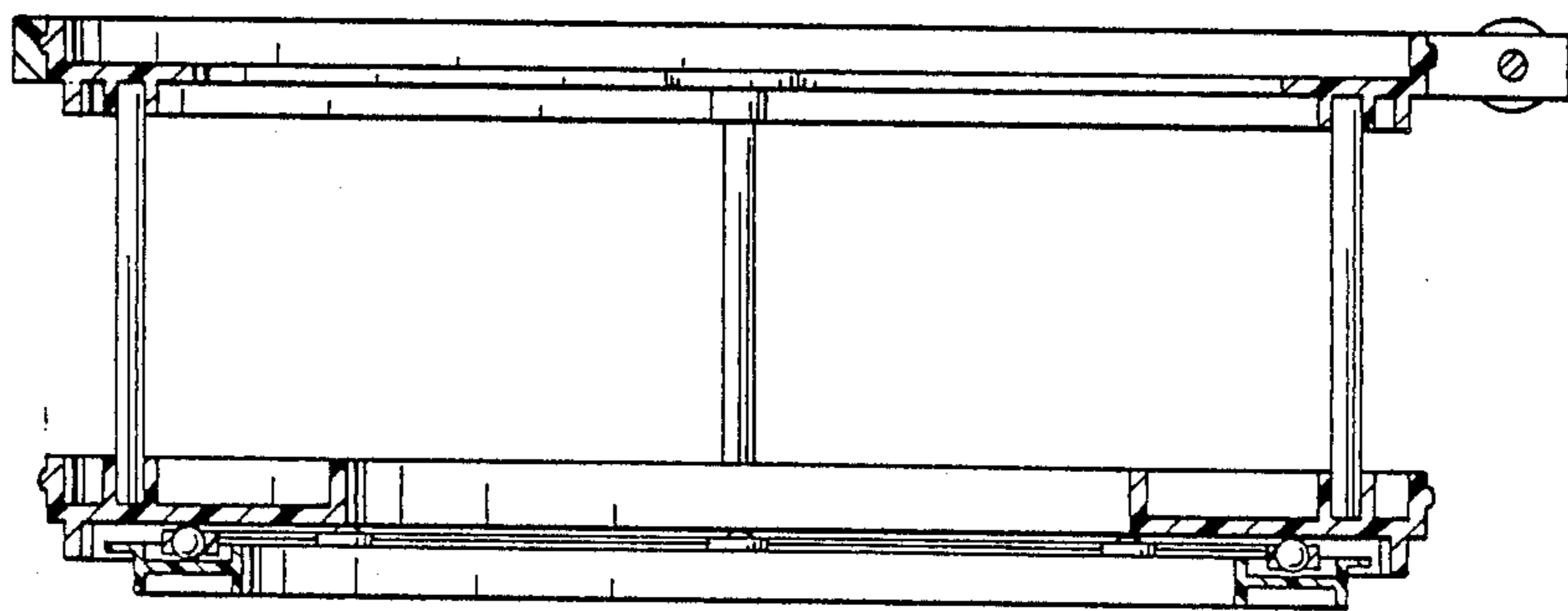


FIG. 3

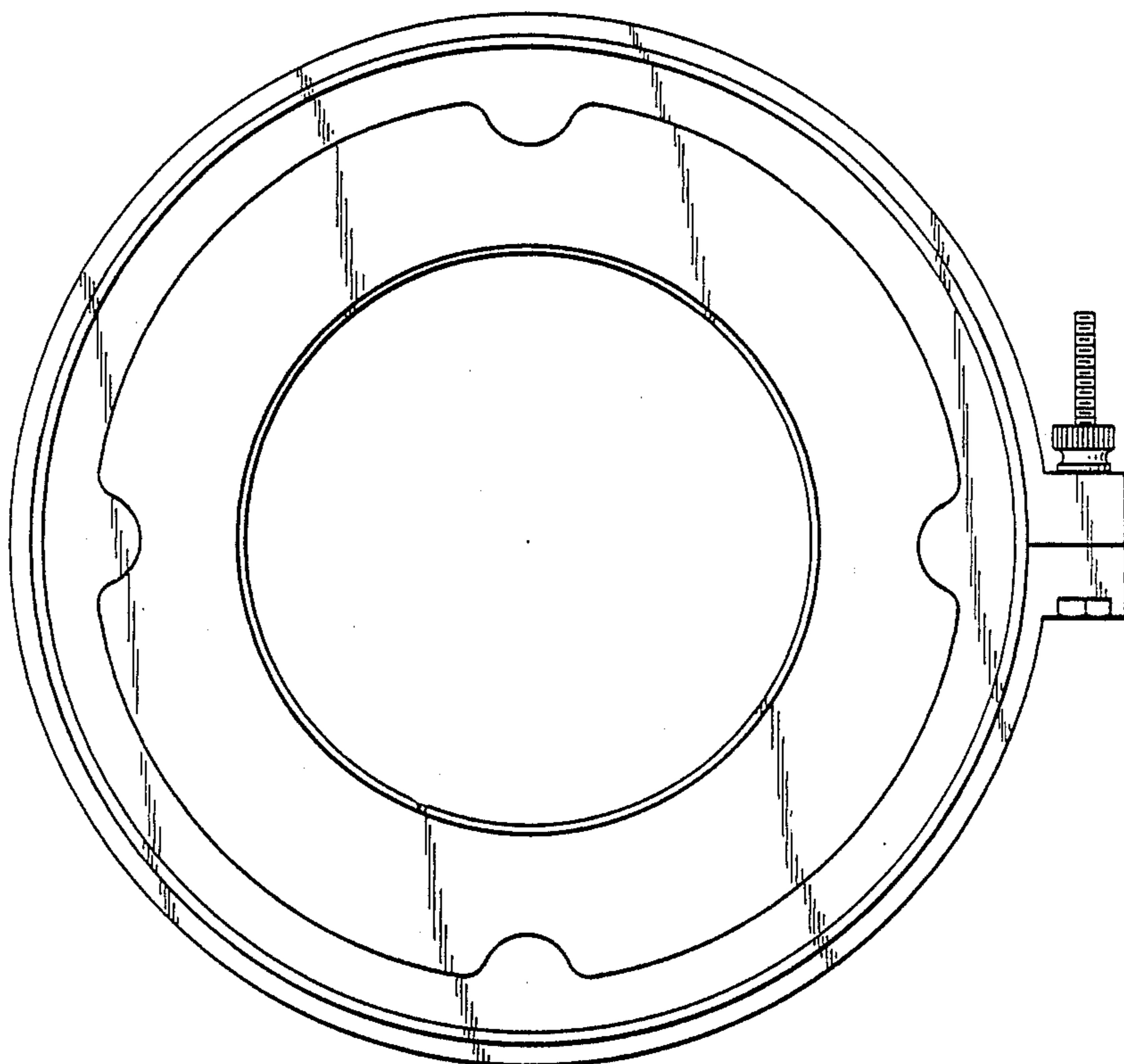


FIG. 3

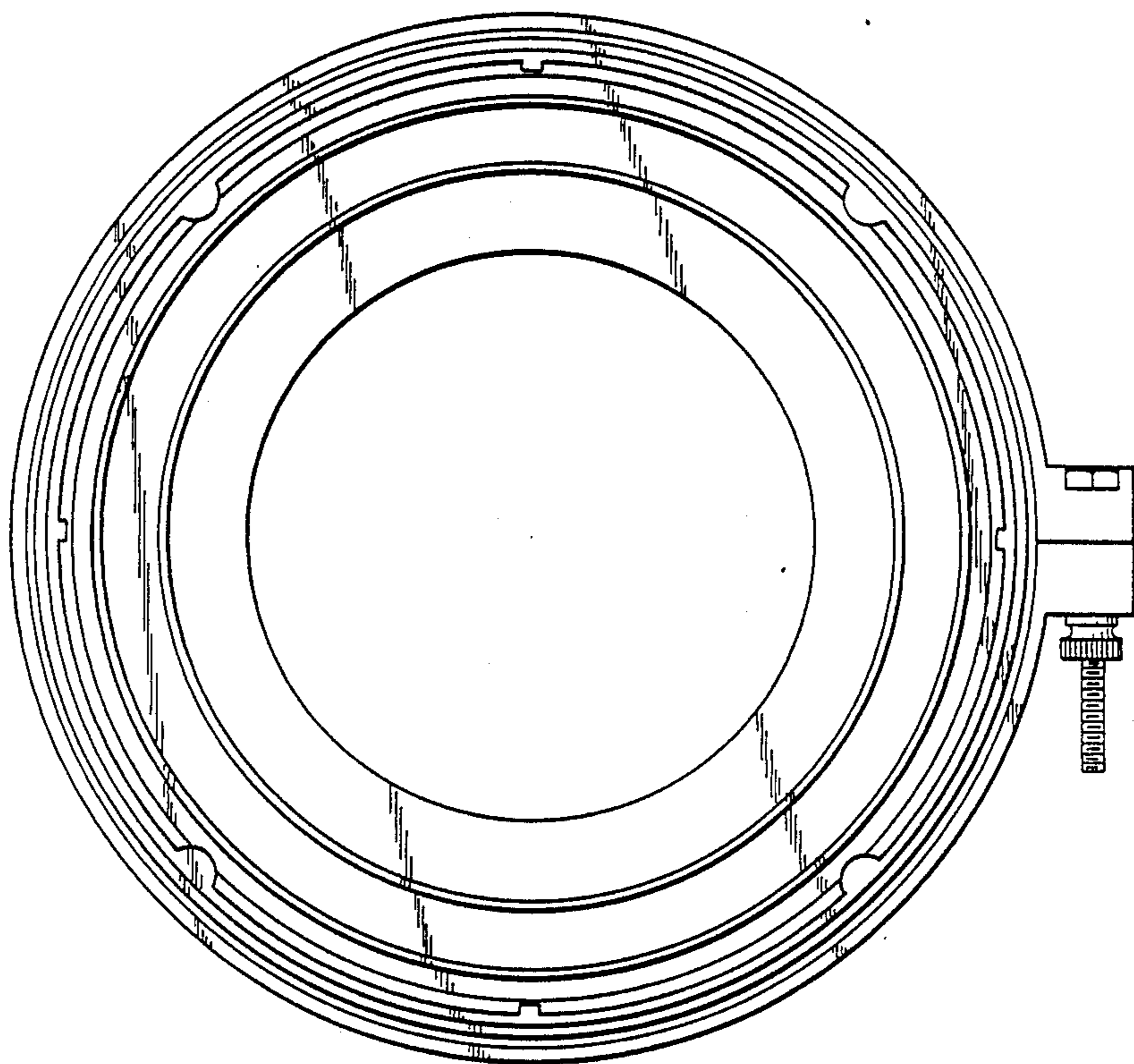


FIG. 4

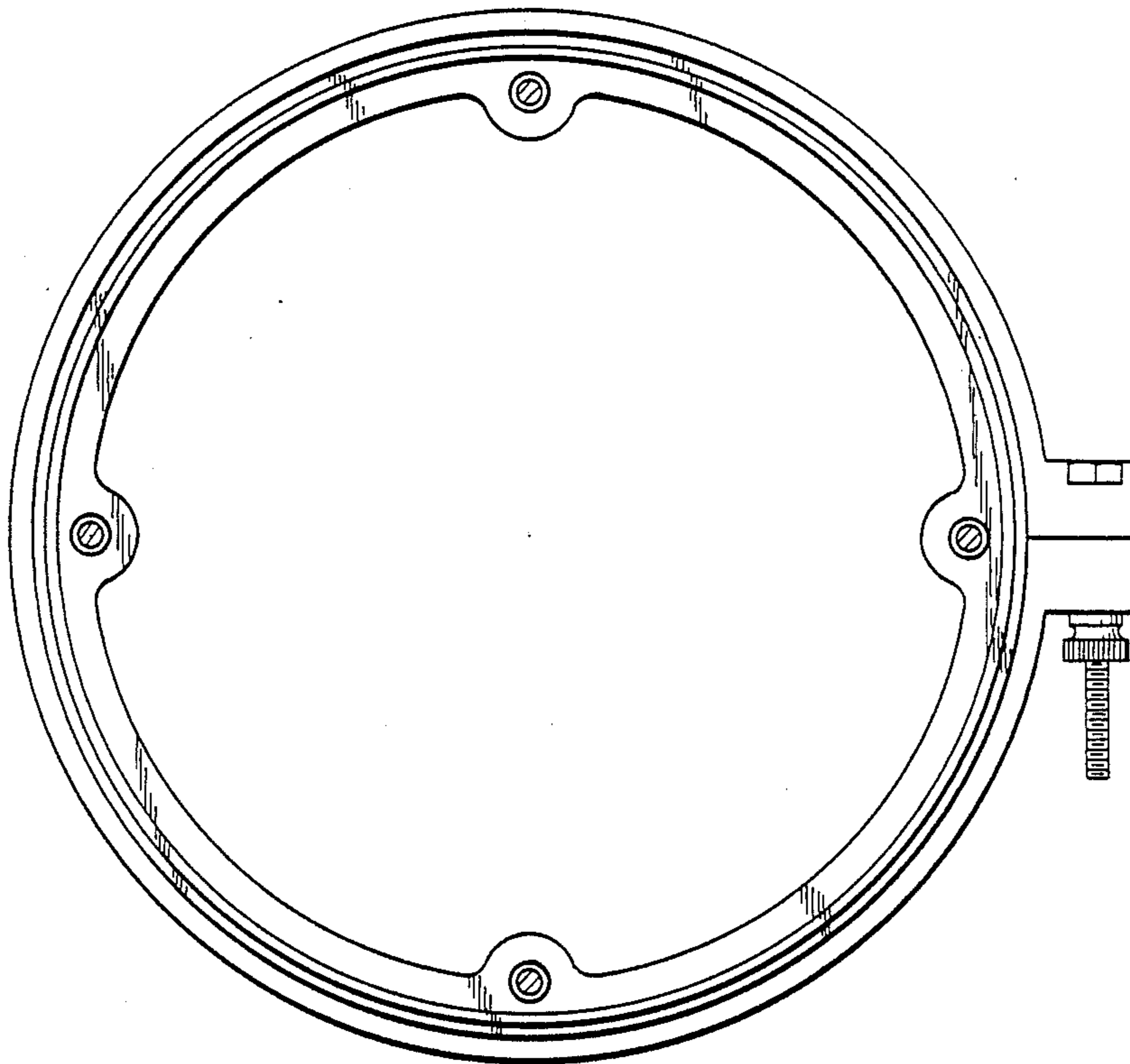


FIG. 3

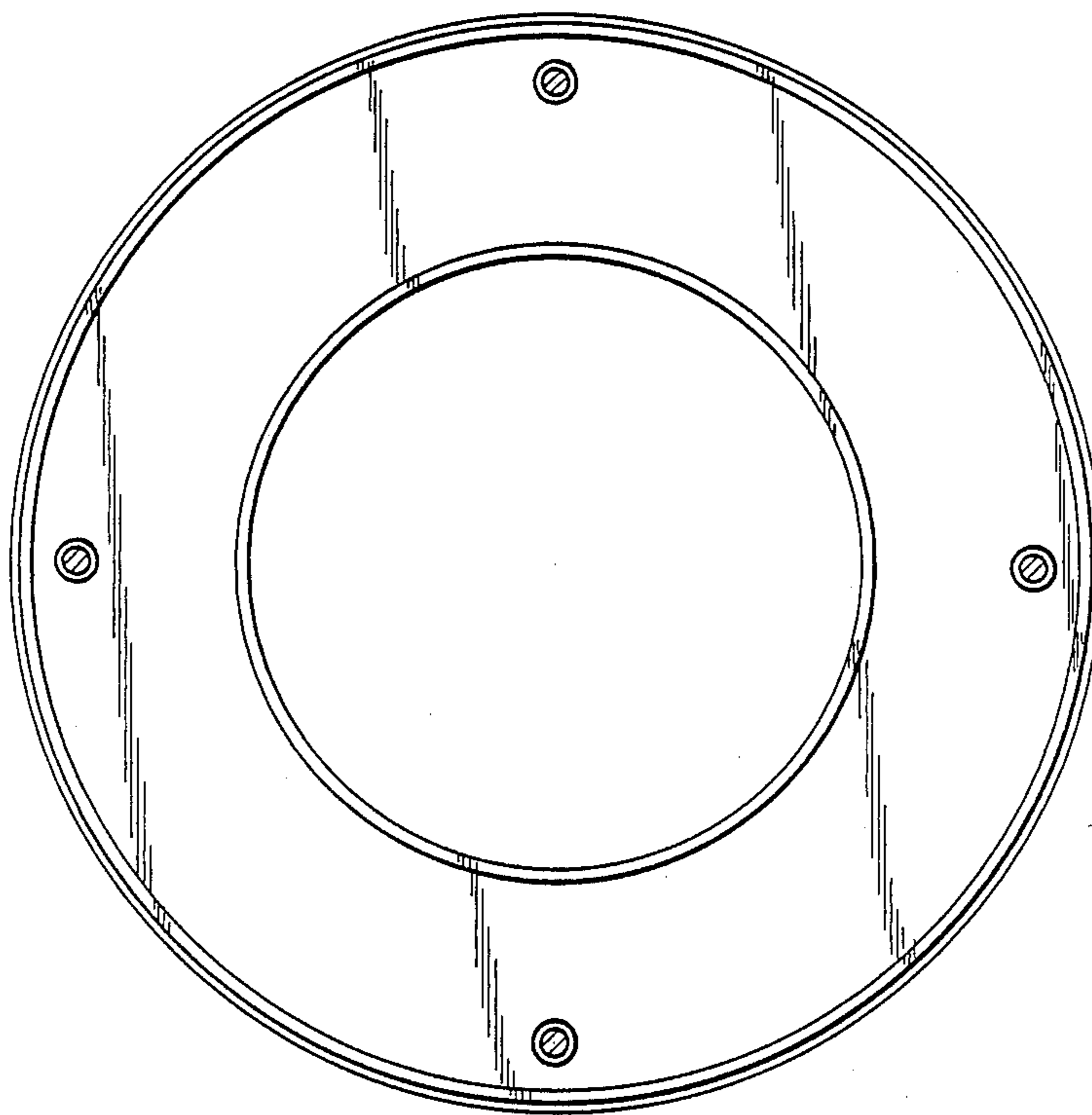


FIG. 4

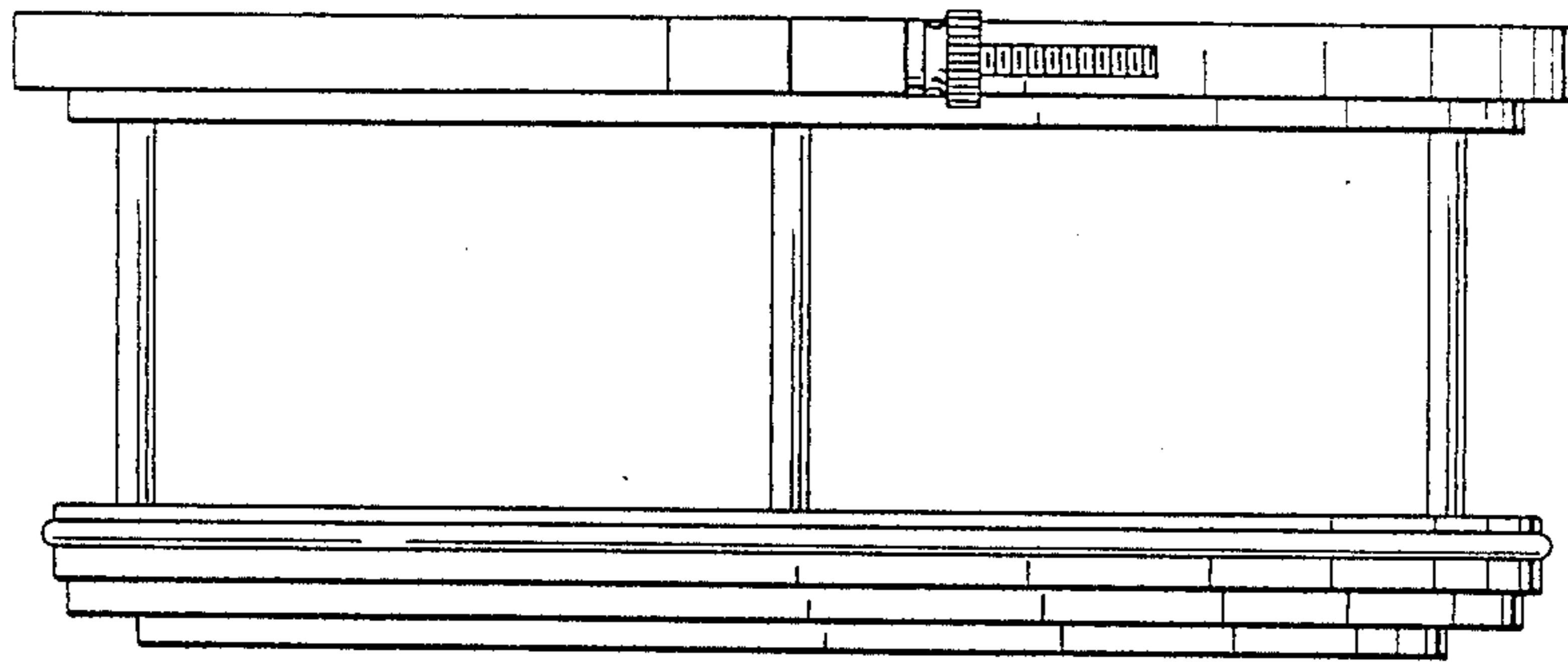


FIG. 8

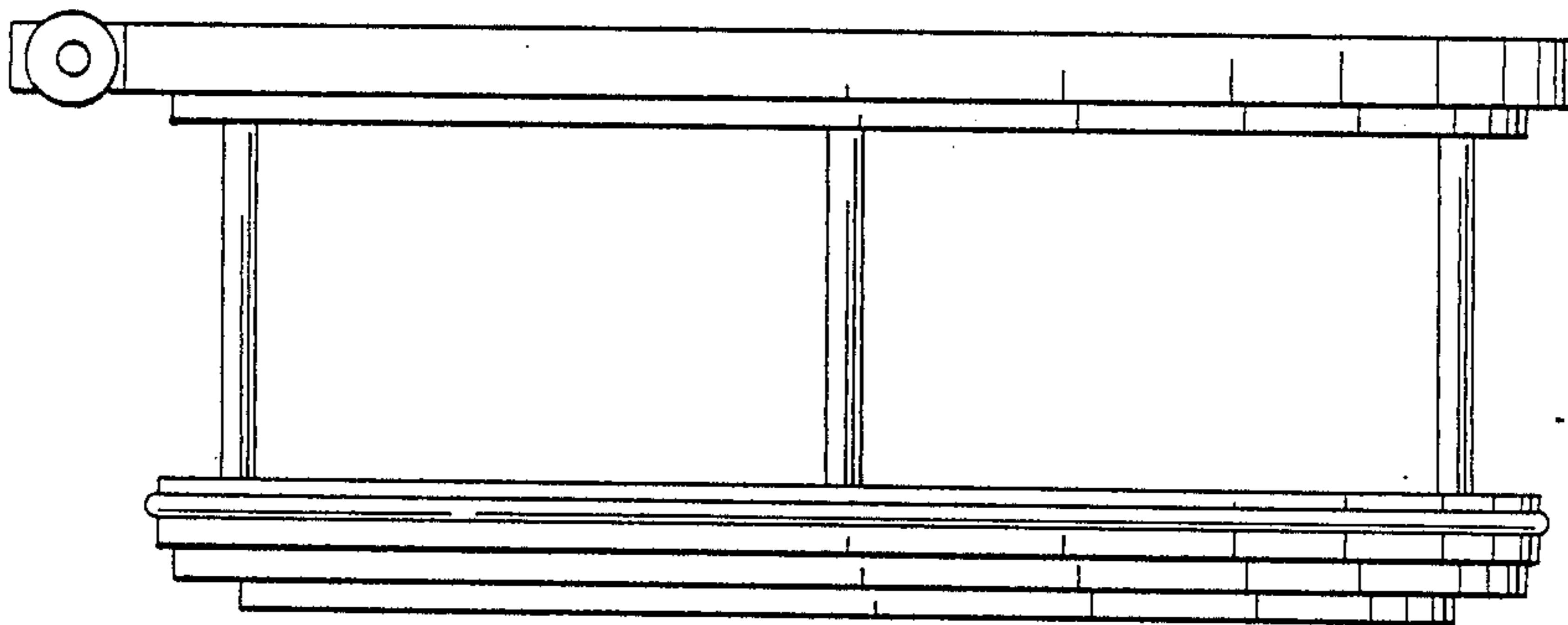


FIG. 9

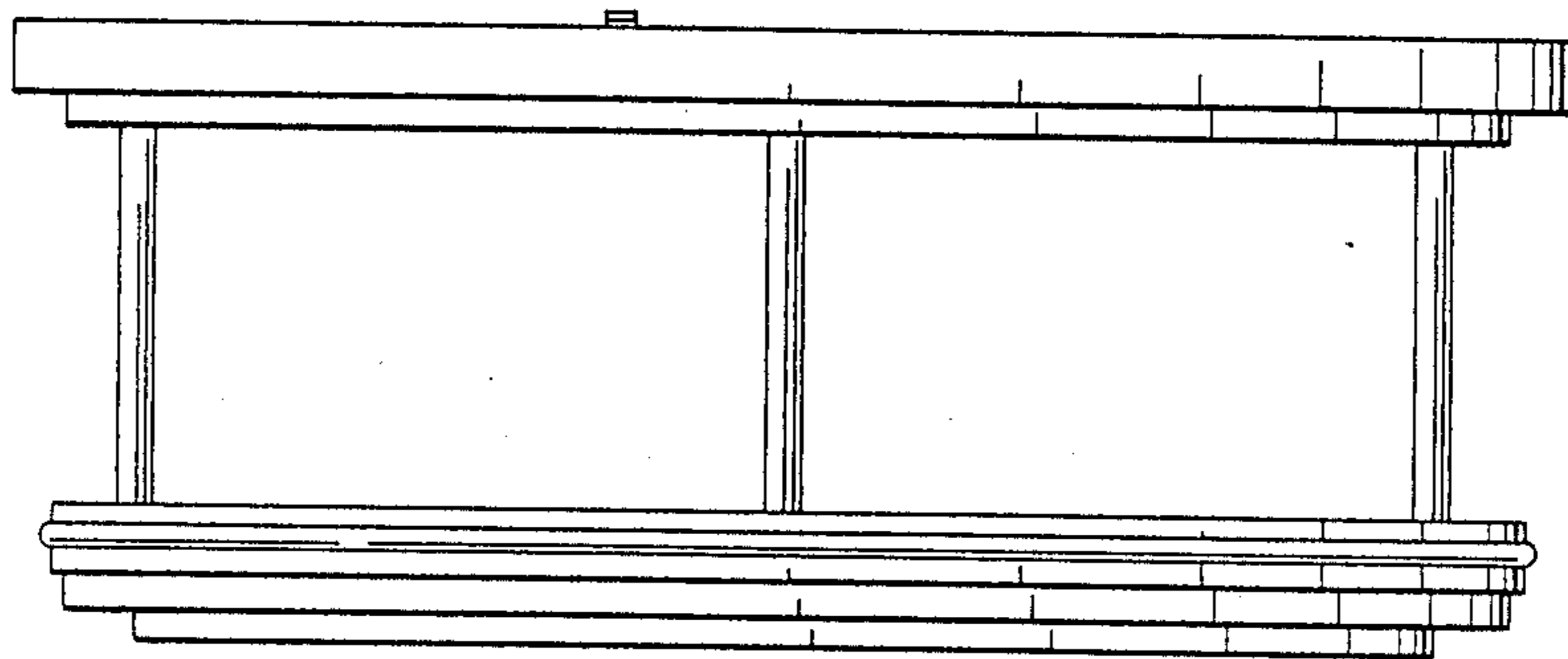


FIG. 10