

[54] EMBROIDERY WORK STATION

[76] Inventor: Gerald A. Peters, Box 1020, Carnegie, Okla. 73015

[**] Term: 14 Years

[21] Appl. No.: 27,494

[22] Filed: Mar. 18, 1987

[52] U.S. Cl. D3/25

[58] Field of Search D3/18, 20-29; D9/303; 38/102.2; 223/106-109 A, 120; 242/130, 134, 139; 248/349; 211/129; 312/125, 305; D15/66, 78

[56] References Cited

U.S. PATENT DOCUMENTS

D. 182,269	3/1958	Brown et al.	D3/25
669,828	3/1901	Gornston	242/134
867,583	10/1907	Lee	223/106
970,282	9/1910	Vermilyea et al.	D15/66 X
1,249,706	12/1917	Zimmerman et al.	223/107 X
1,580,687	4/1926	Selbst	242/139

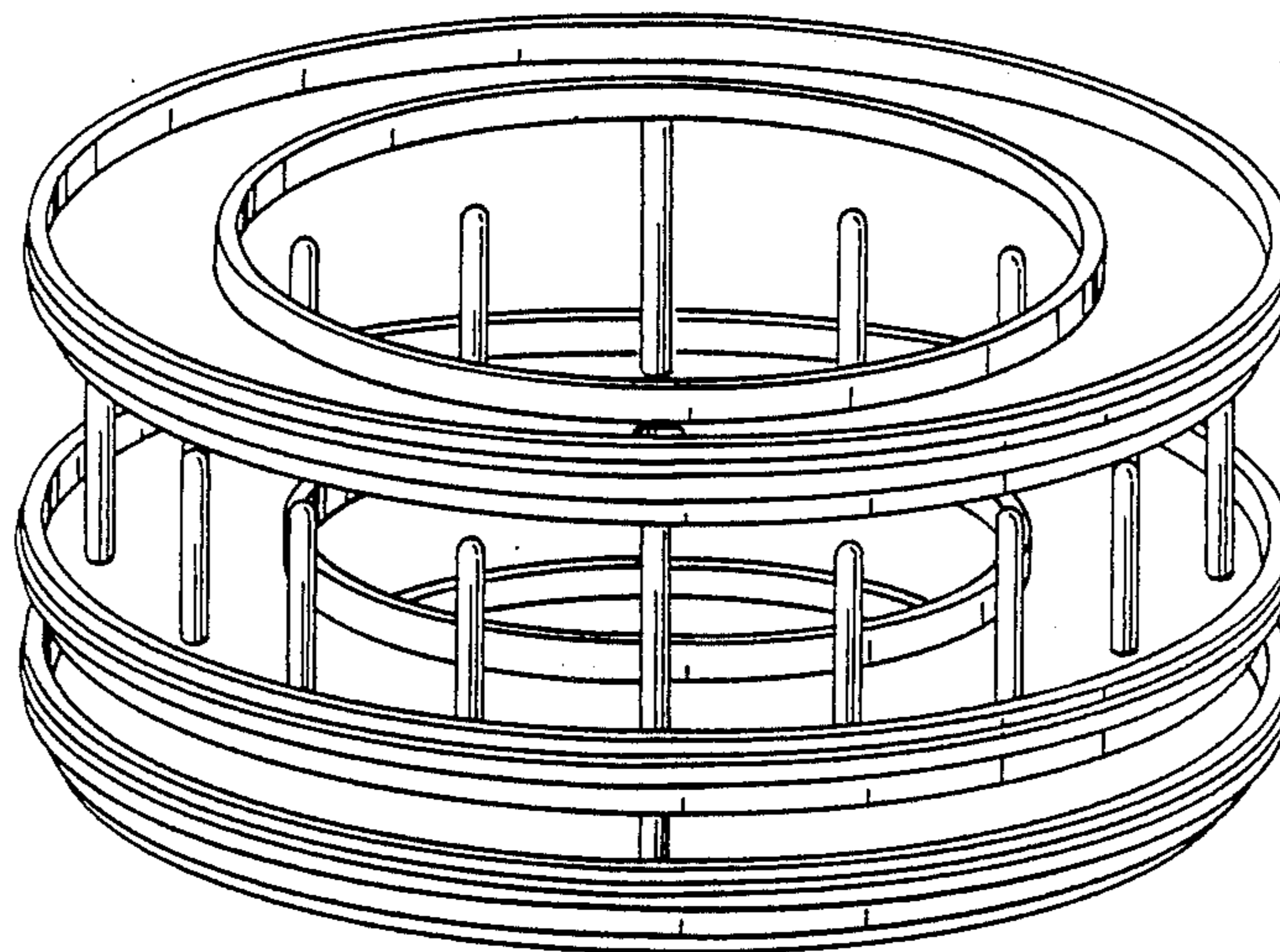
Primary Examiner—Louis S. Zarfes
Attorney, Agent, or Firm—Laney, Dougherty, Hessin & Beavers

[57] CLAIM

The ornamental design for an embroidery work station, as shown and described.

DESCRIPTION

FIG. 1 is a front elevational view of an embroidery work station, showing my new design; FIG. 2 is a perspective view thereof; FIG. 3 is a top plan view thereof; FIG. 4 is a bottom plan view thereof; FIG. 5 is a cross-sectional view thereof, taken along line 5—5 of FIG. 1; FIG. 6 is a cross-sectional view thereof, taken along line 6—6 of FIG. 1; FIG. 7 is a cross-sectional view thereof, taken along line 7—7 of FIG. 1; FIG. 8 is a cross-sectional view thereof, taken along line 8—8 of FIG. 1; and FIG. 9 is a cross-sectional view thereof, taken along line 9—9 of FIG. 1.



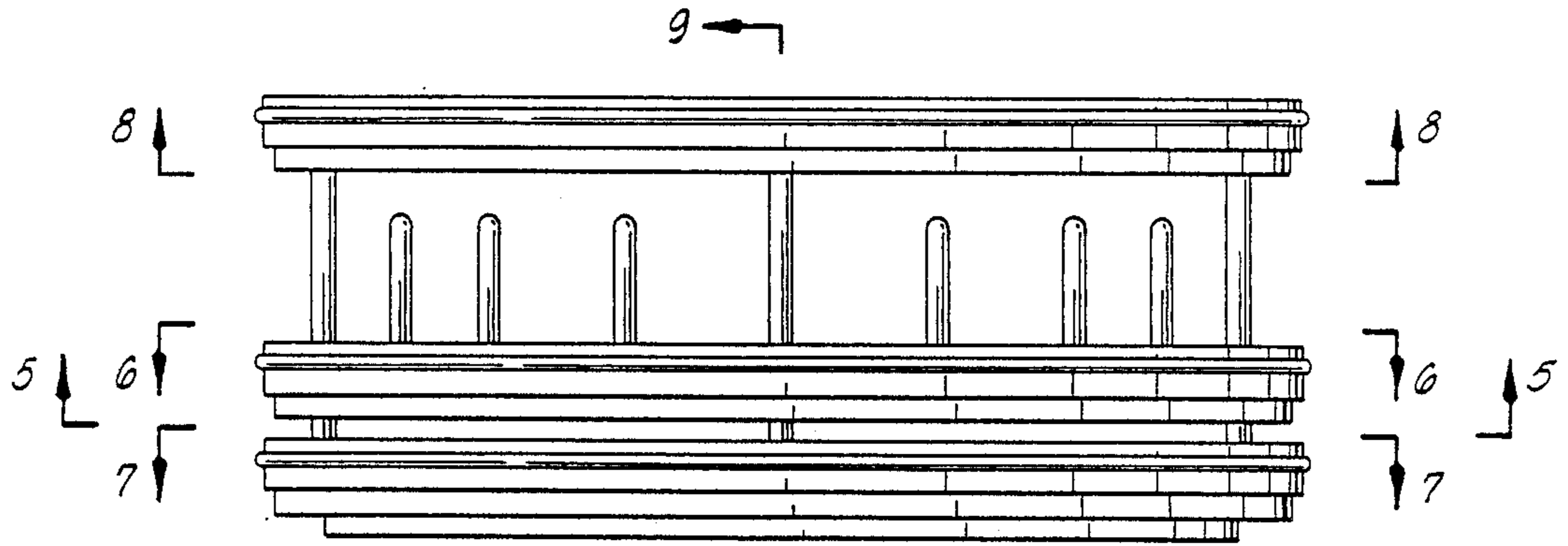


FIG. 1

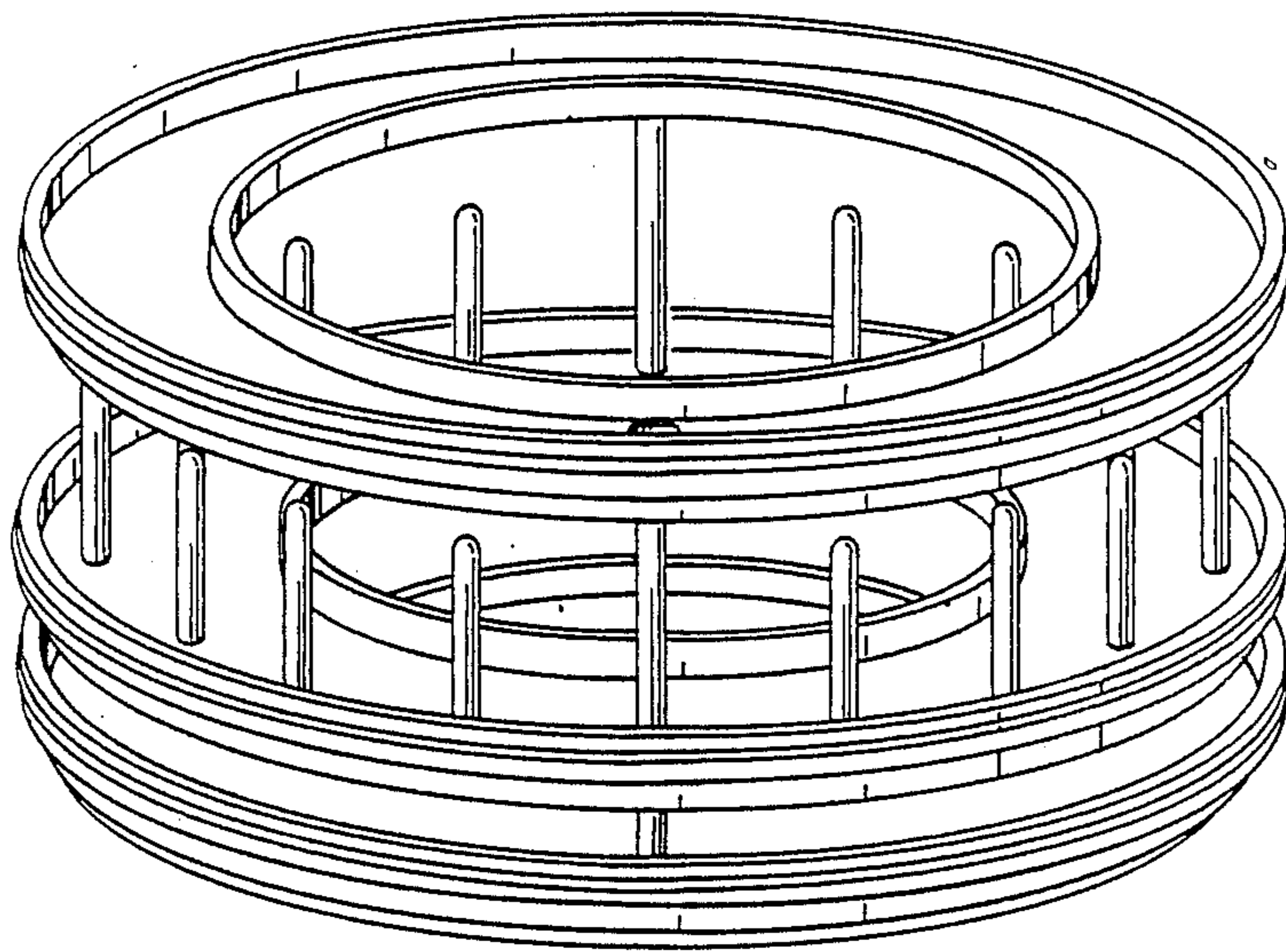


FIG. 2

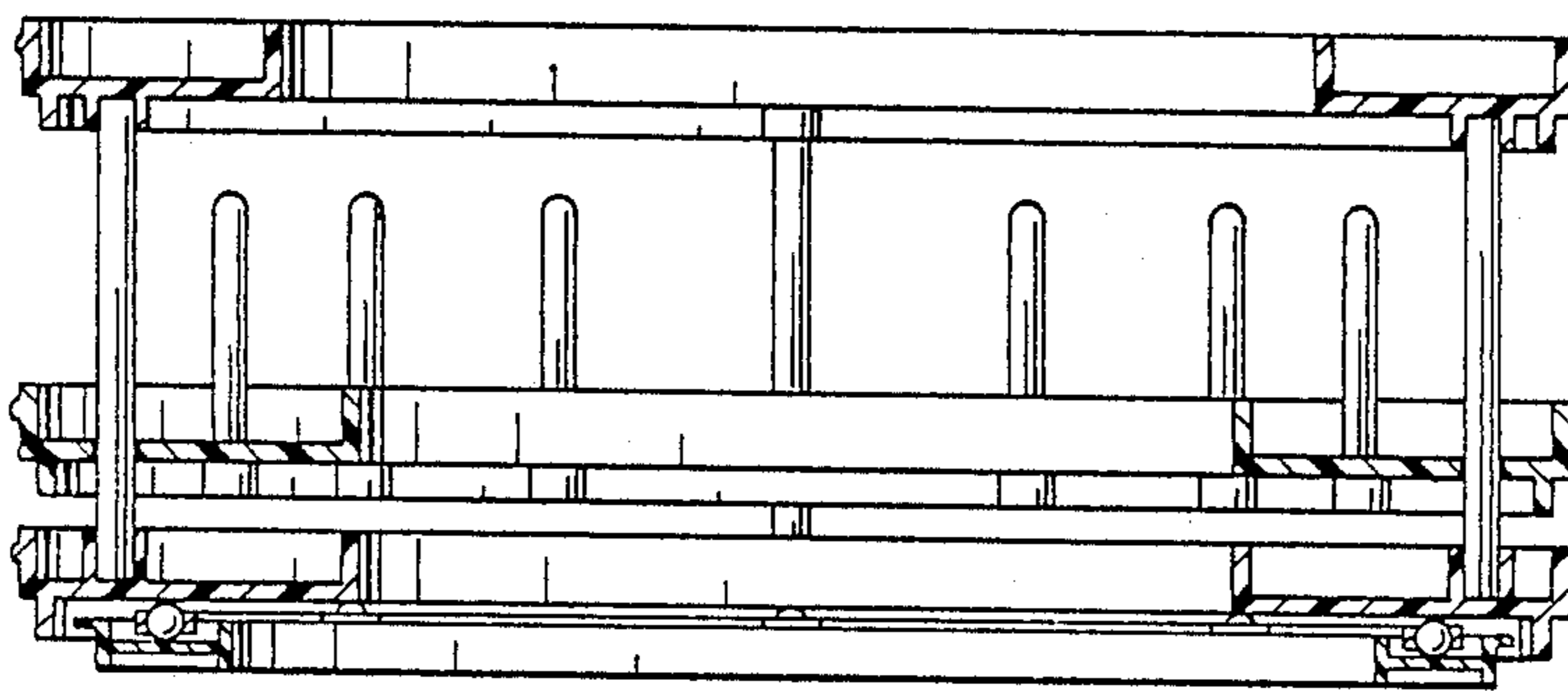


FIG. 3

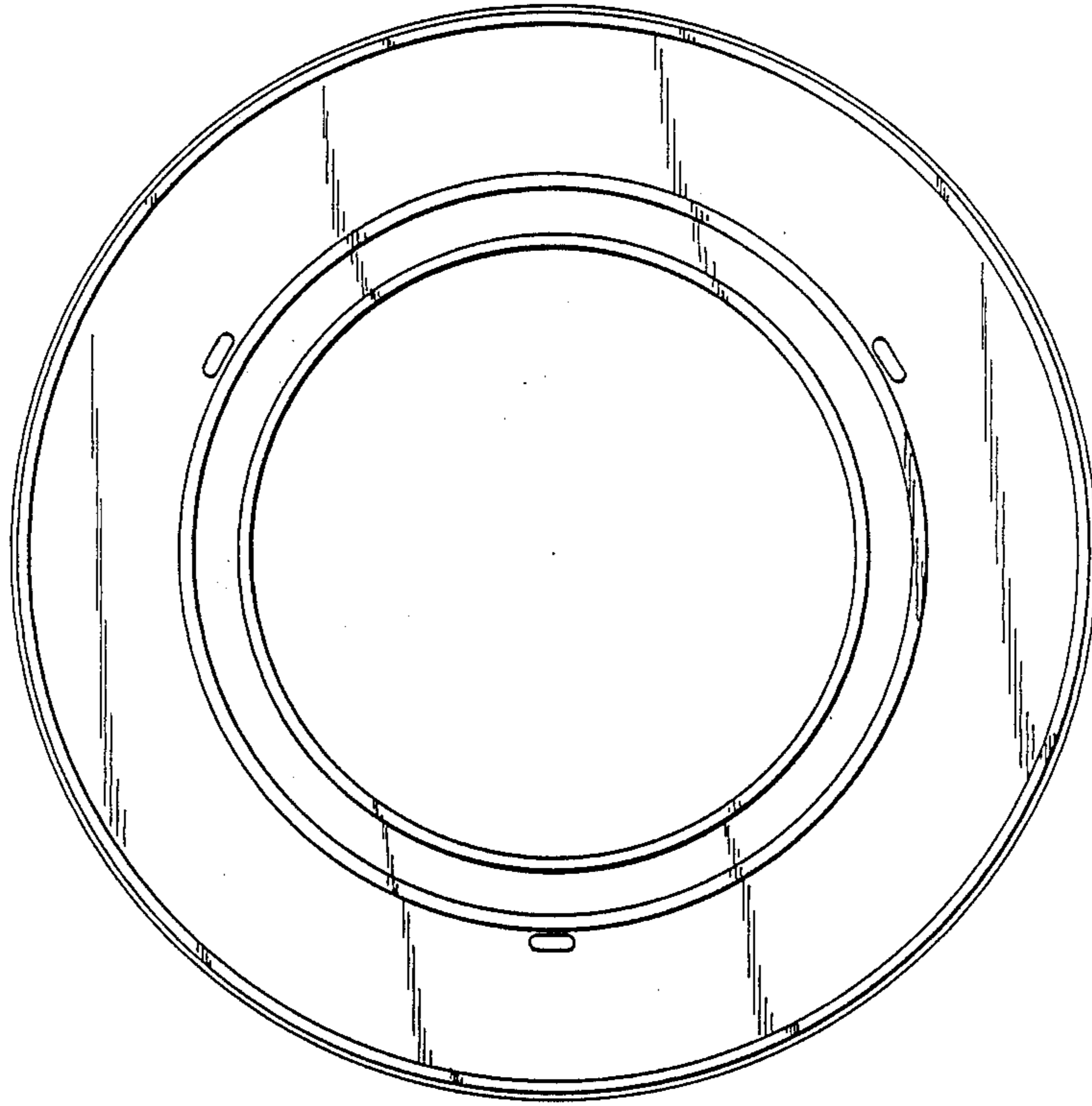


FIG. 3

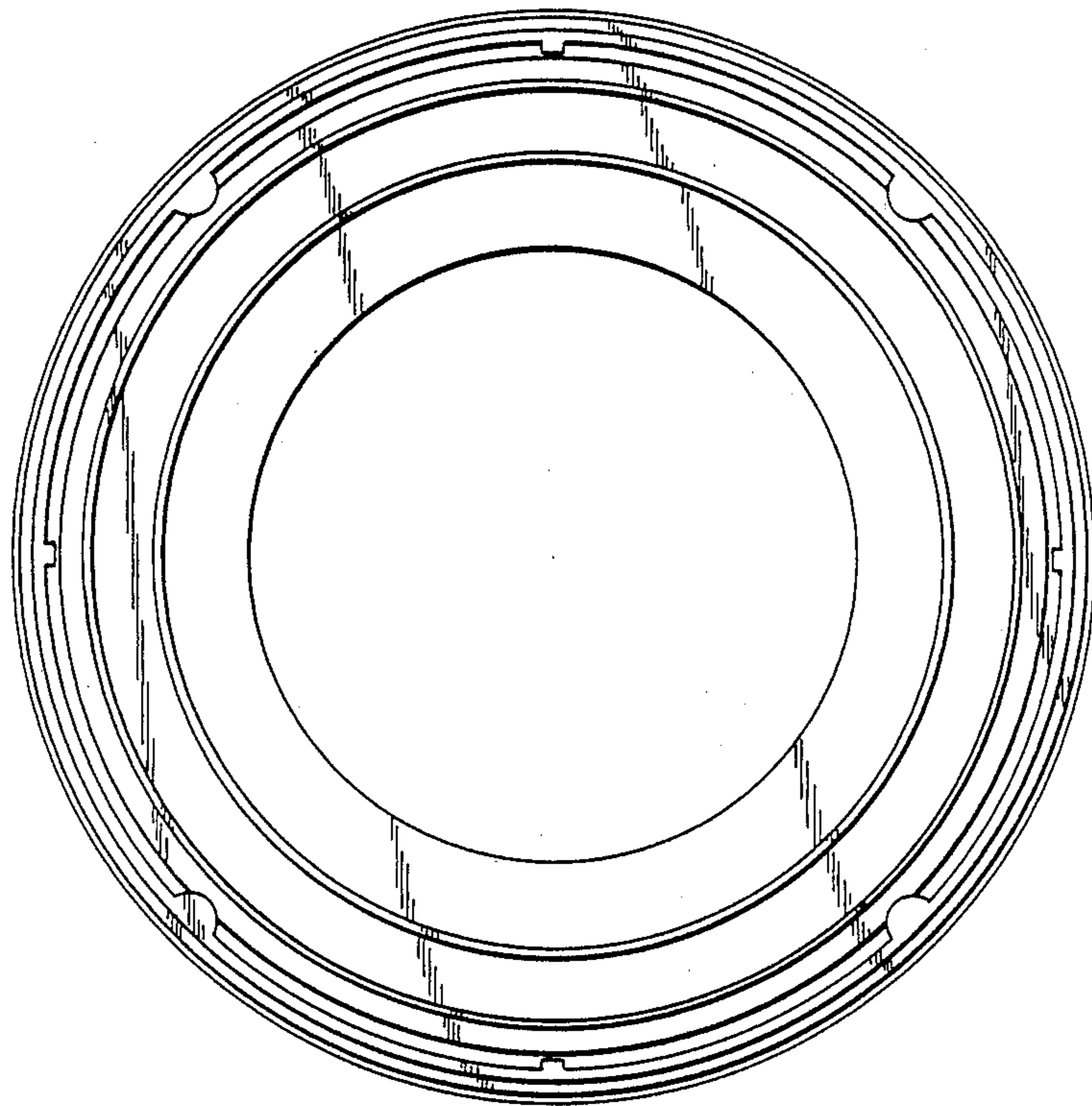


FIG. 4

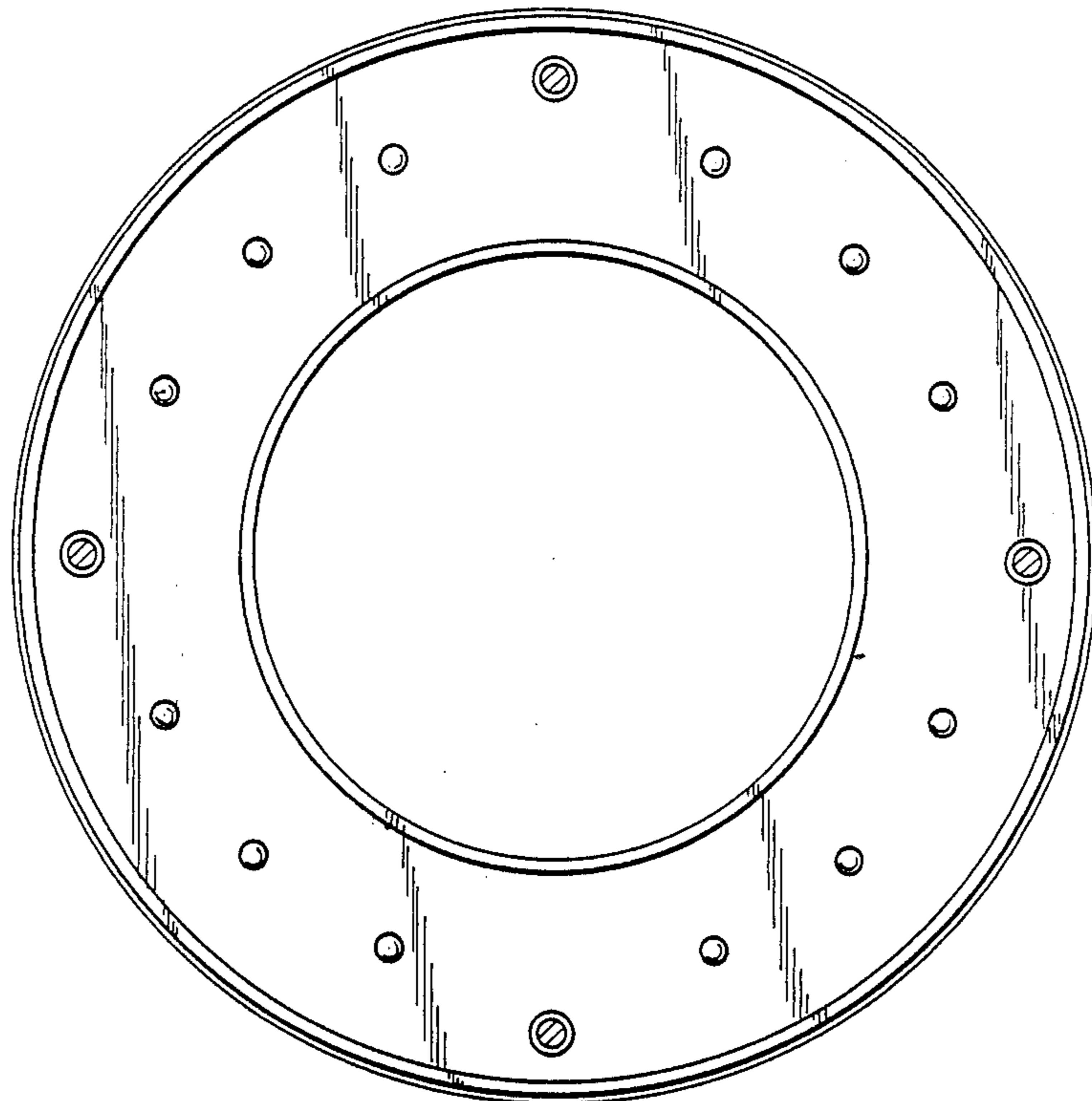


FIG. 1

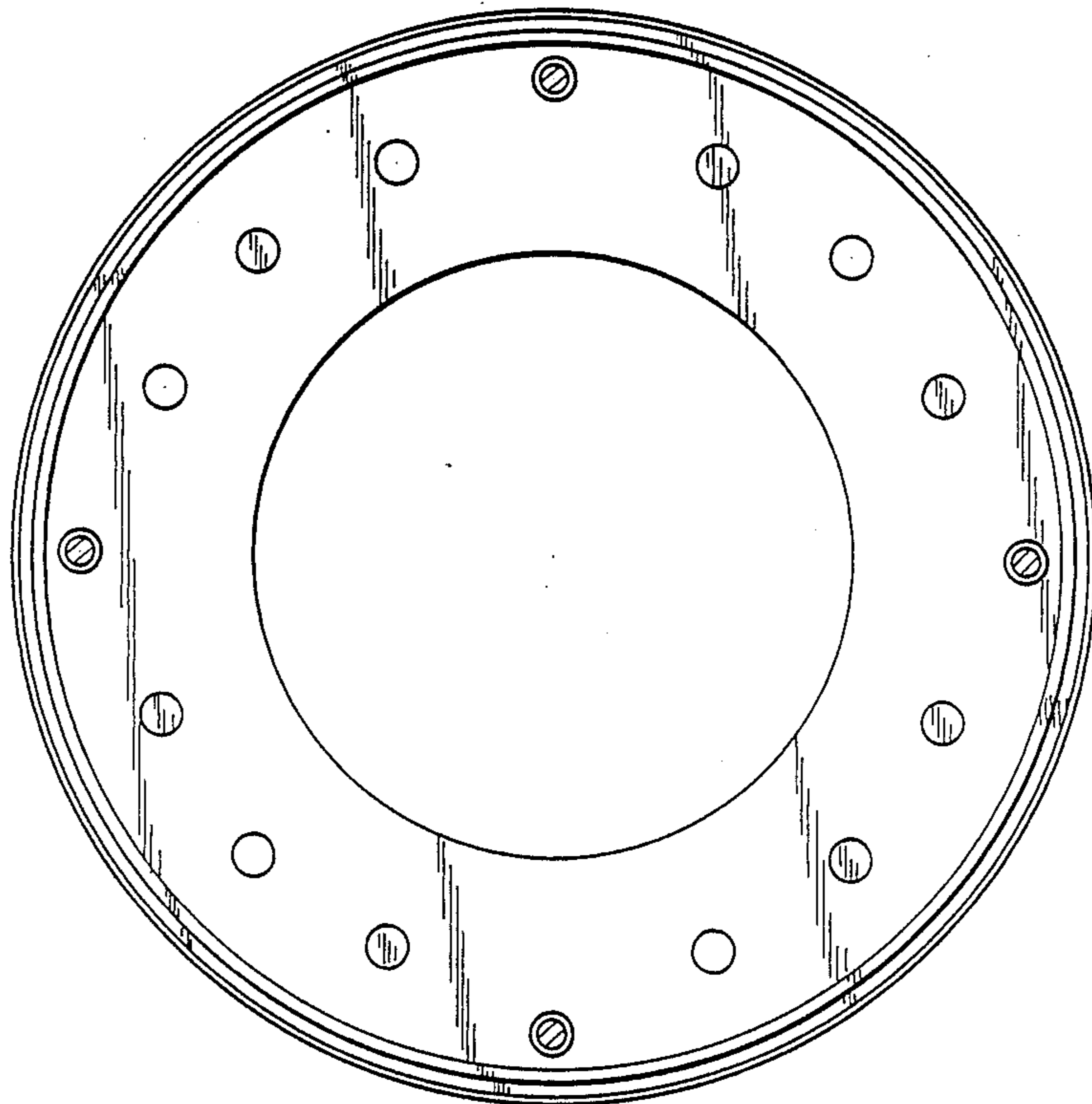


FIG. 2

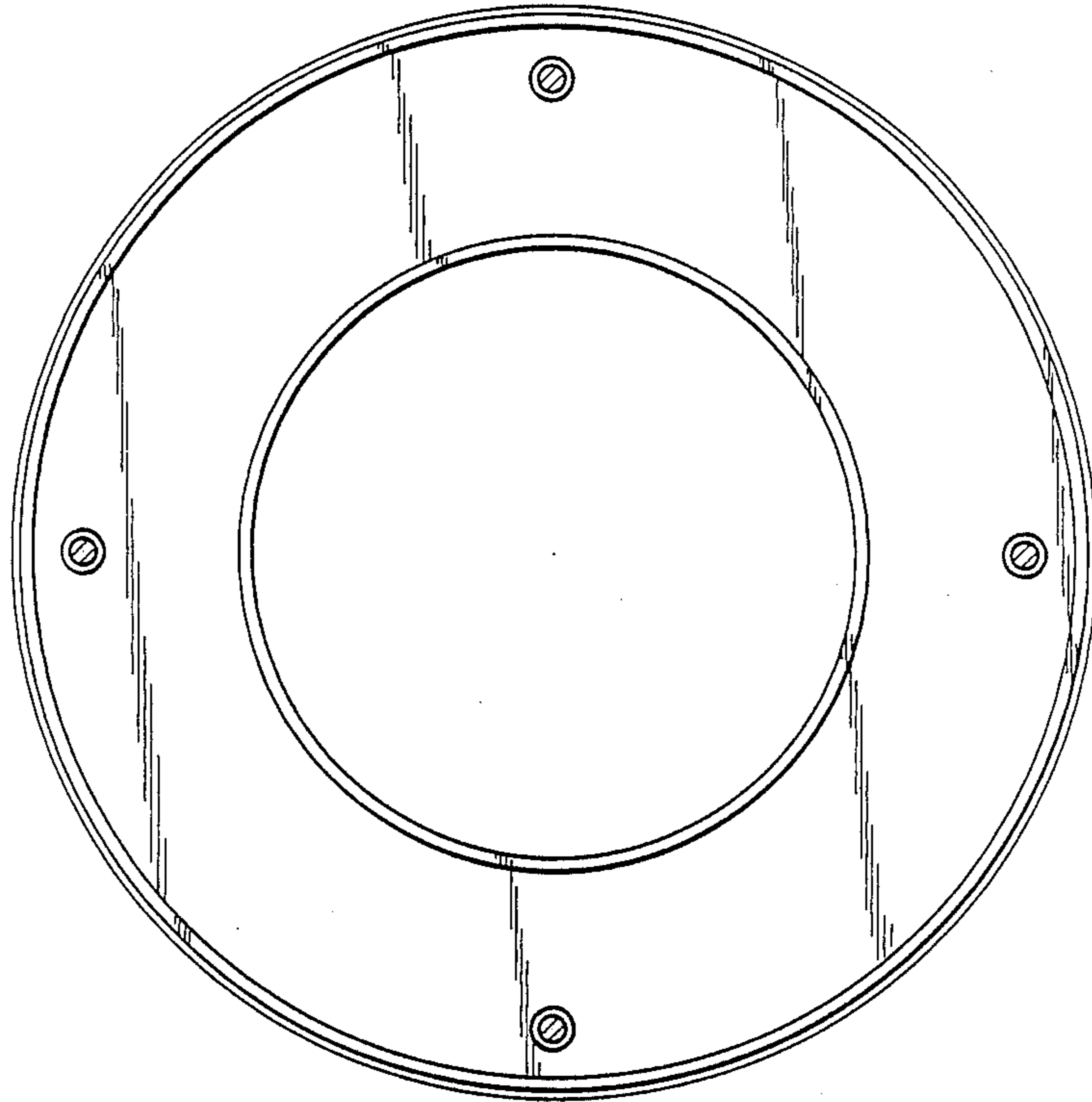


FIG. 7

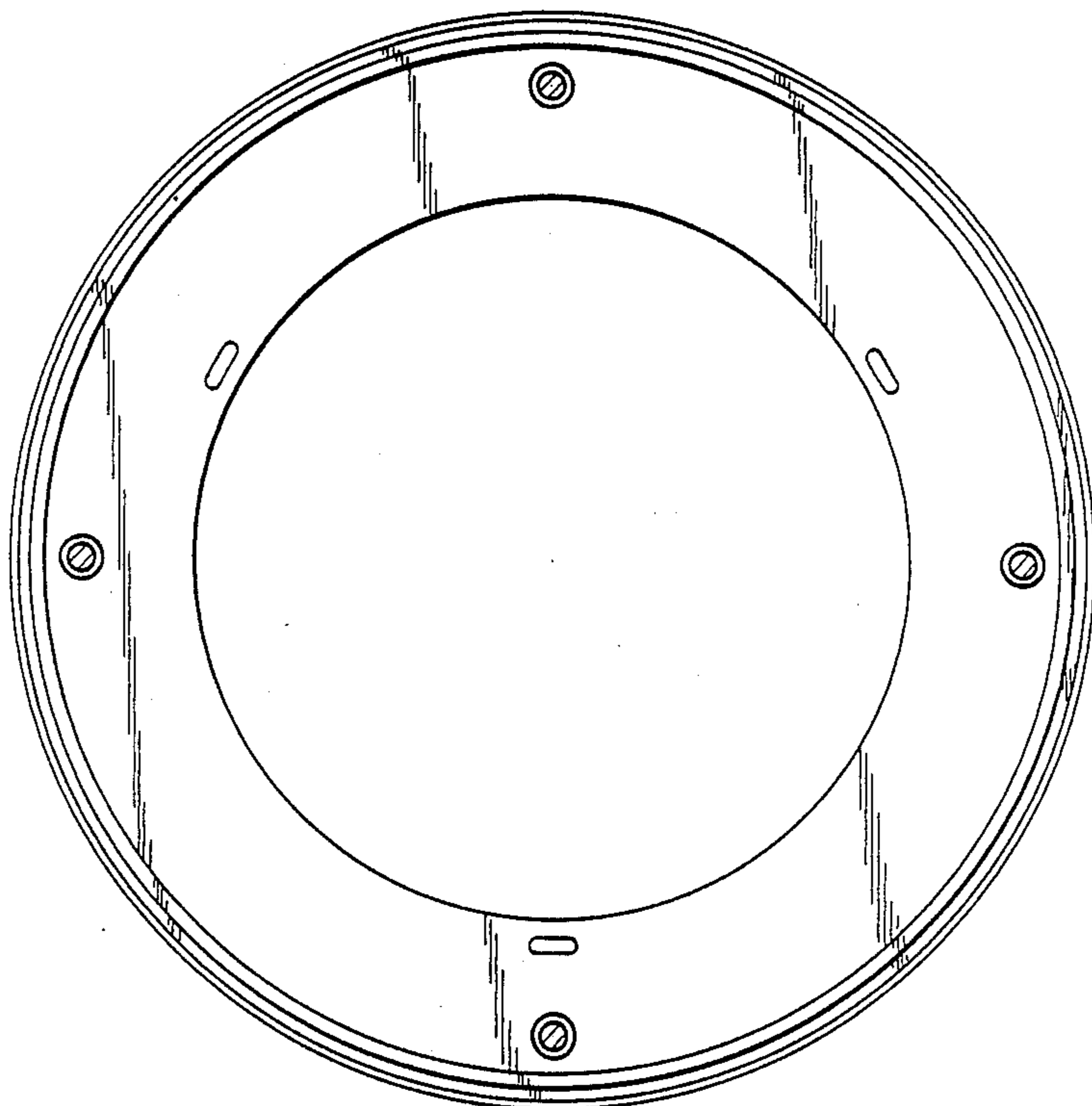


FIG. 8