

[54] DISPOSABLE ANIMAL LITTER CONTAINER

[76] Inventor: Ronald G. Wolak, 221 Parkland, Rochester Hills, Mich. 48063

[**] Term: 14 Years

[21] Appl. No.: 283,522

[22] Filed: Dec. 12, 1988

[52] U.S. Cl. D30/161; 229/DIG. 3; 229/122

[58] Field of Search D30/99, 158, 160, 161, D30/199, 108-120; 119/1, 17, 19, 29, 29.5, 158; 229/DIG. 3, 122, 101; D12/128, 129

[56] References Cited

U.S. PATENT DOCUMENTS

- D. 171,525 2/1954 Bergmann D12/128
- 2,320,665 6/1943 Shearer 229/122
- 3,280,871 10/1966 Taylor 229/DIG. 3
- 3,886,901 6/1975 Zeitter .
- 4,164,314 8/1979 Edgar .
- 4,271,787 6/1981 Wellman et al. .
- 4,305,544 12/1981 Noonan .
- 4,501,226 2/1985 Bienvonn et al. .
- 4,541,360 9/1985 Higgins et al. .
- 4,548,160 10/1985 Feitelson .

- 4,553,671 11/1985 Cheesman .
- 4,627,382 12/1986 Muzzey .
- 4,628,863 12/1986 Eichenauer .
- 4,648,349 3/1987 Larson .
- 4,730,727 3/1988 Petroff 229/DIG. 3
- 4,734,288 3/1988 Engstrom et al. 229/DIG. 3

FOREIGN PATENT DOCUMENTS

- 55656 2/1939 Denmark 229/DIG. 3

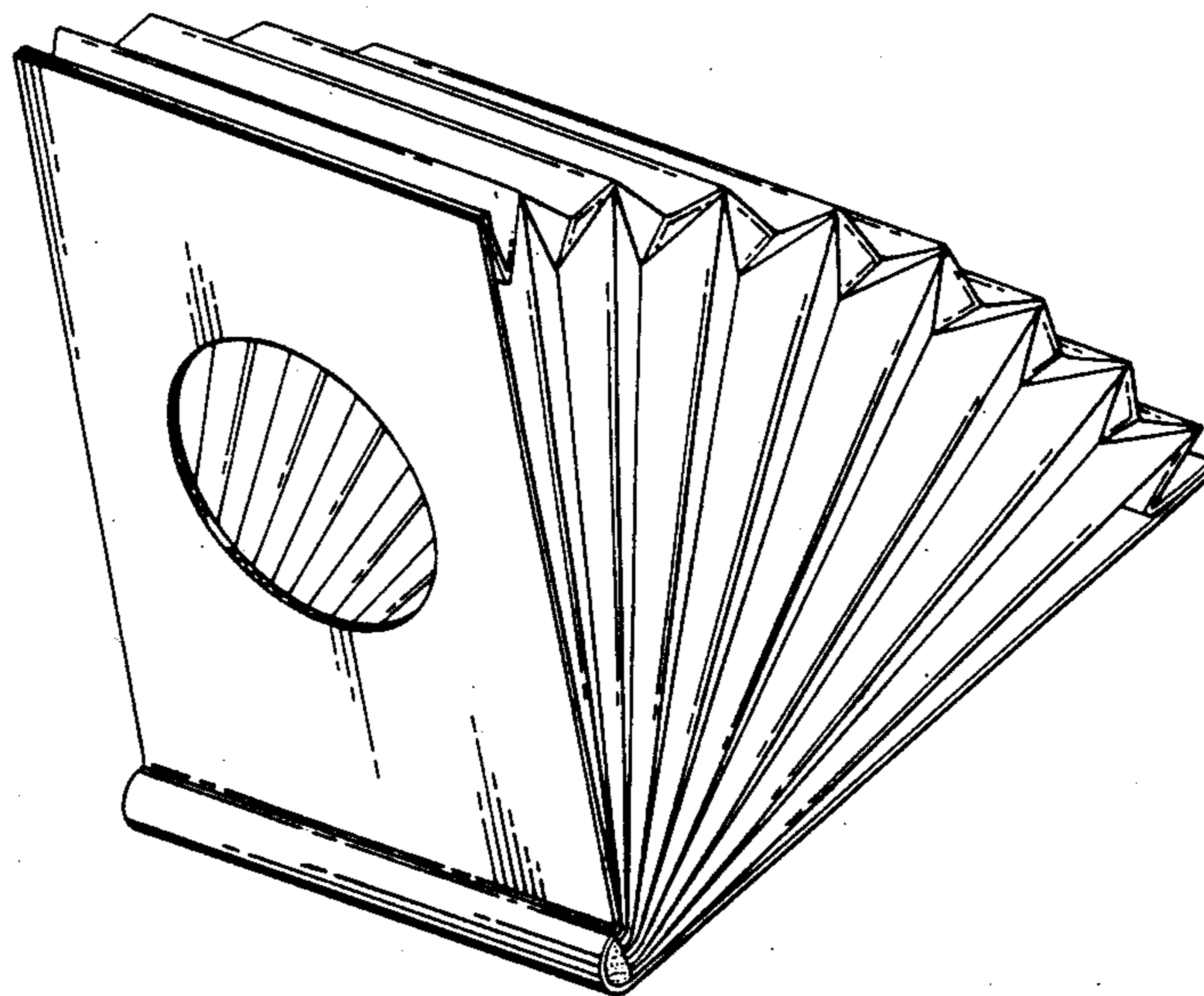
Primary Examiner—Louis S. Zarfaz
Assistant Examiner—W. Krawczewicz
Attorney, Agent, or Firm—Brooks & Kushman

[57] CLAIM

The ornamental design for a disposable animal litter container, as shown.

DESCRIPTION

FIG. 1 is a perspective view of a disposable animal litter container showing my new design in its closed position; FIG. 2 is a perspective view showing the design in its open position; FIG. 3 is a front elevational view; FIG. 4 is a top plan view; FIG. 5 is a left side elevational view, the right side being a mirror image thereof; FIG. 6 is a rear elevational view; and FIG. 7 is a bottom plan view.



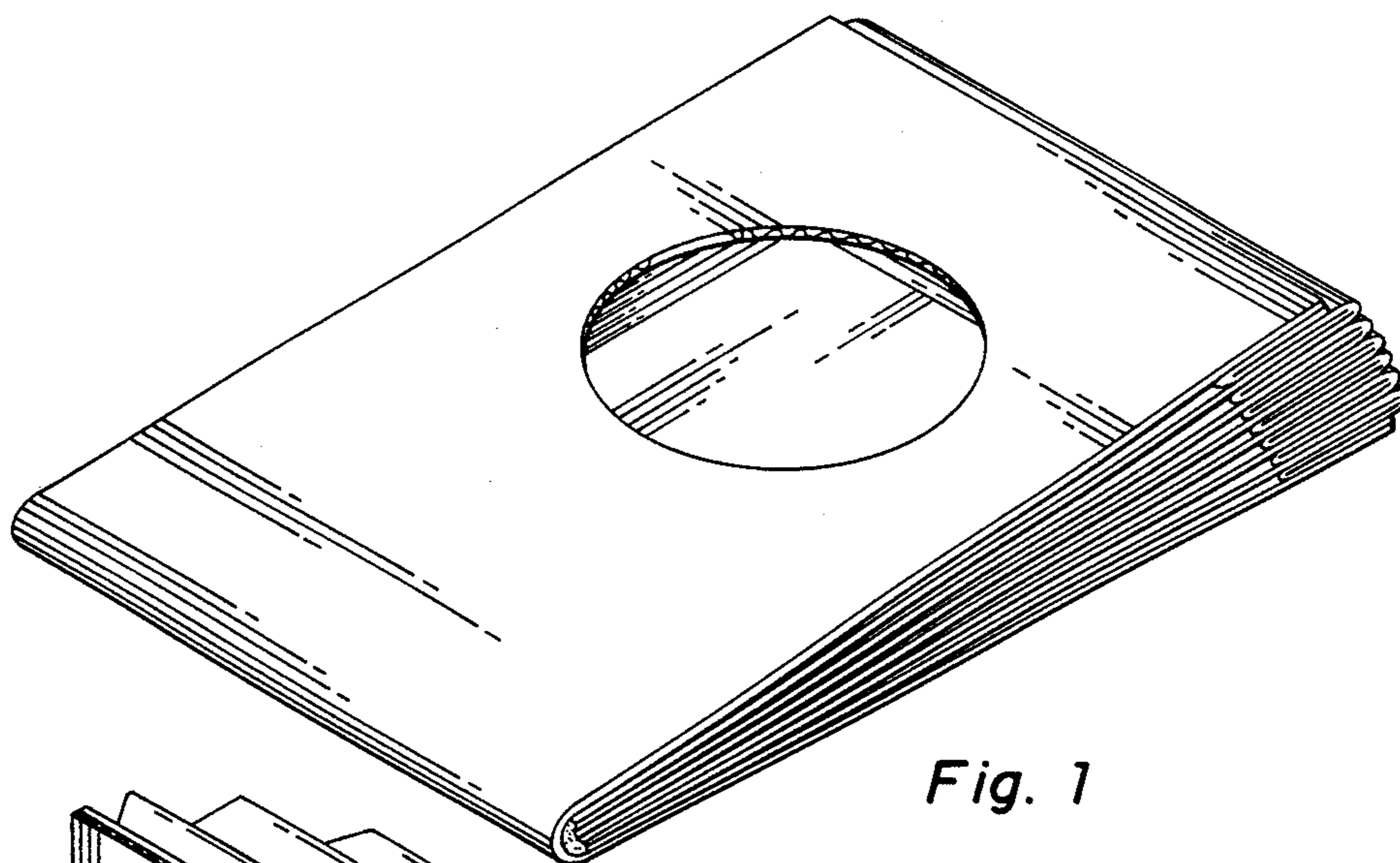


Fig. 1

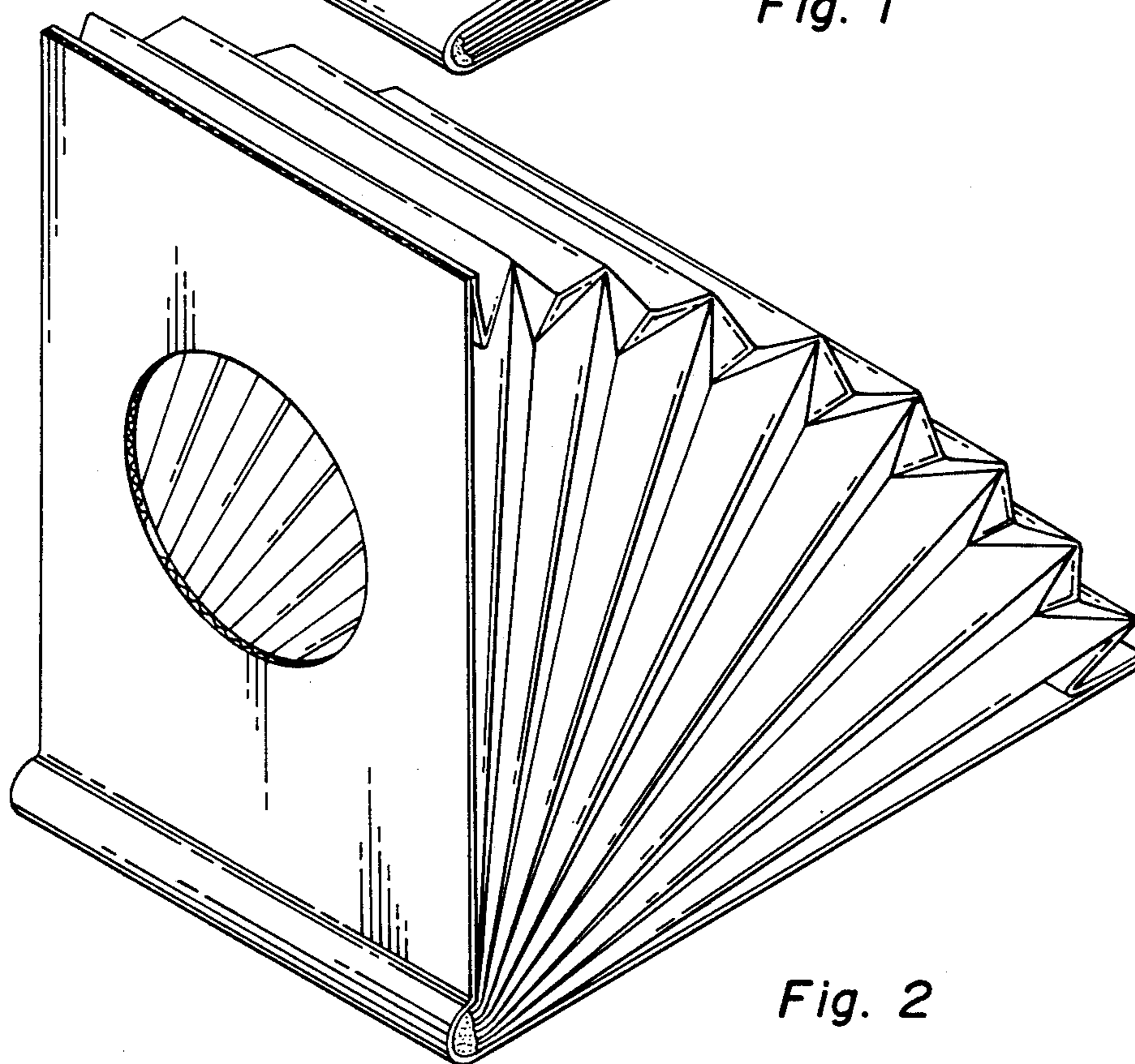


Fig. 2

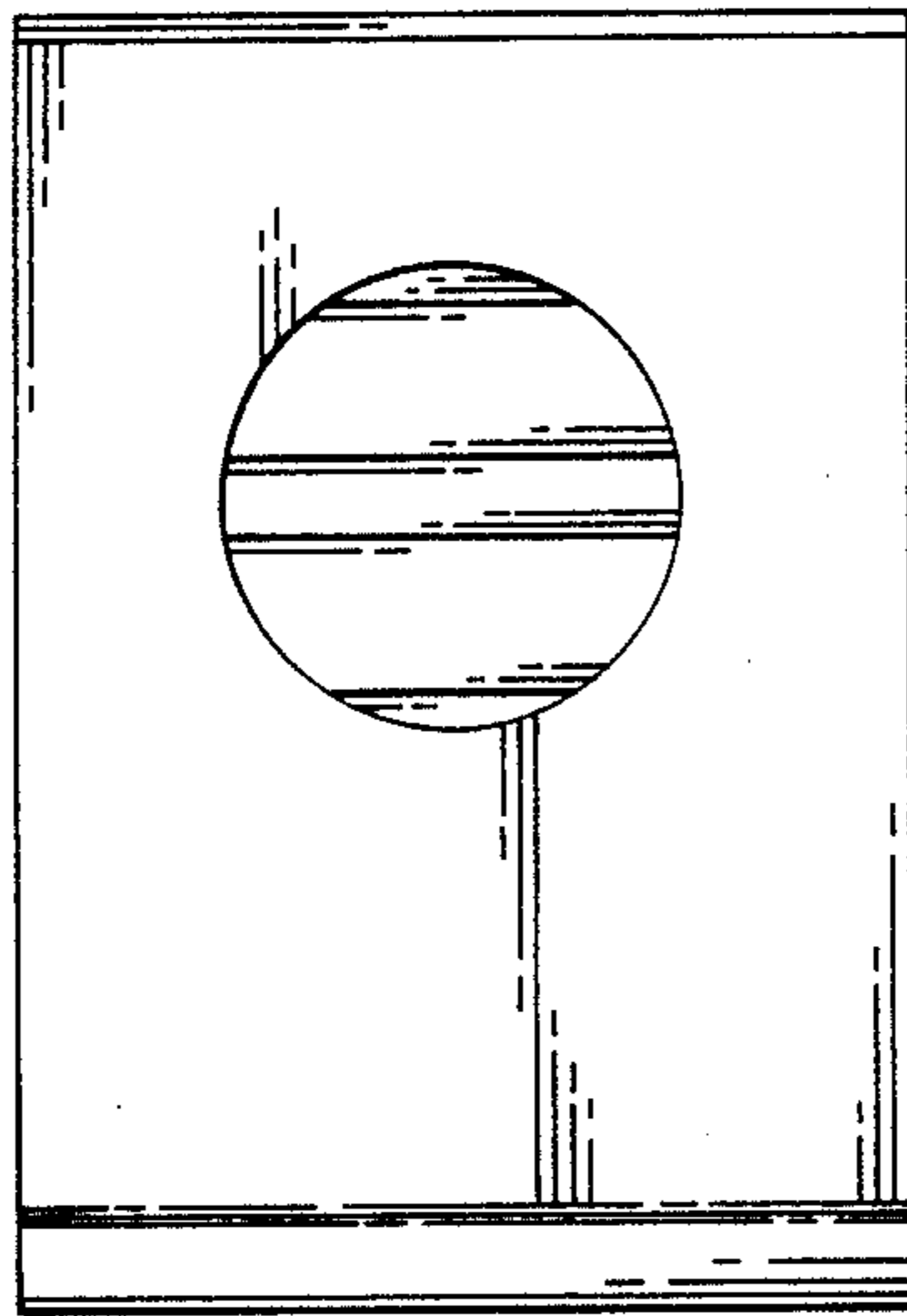


Fig. 3

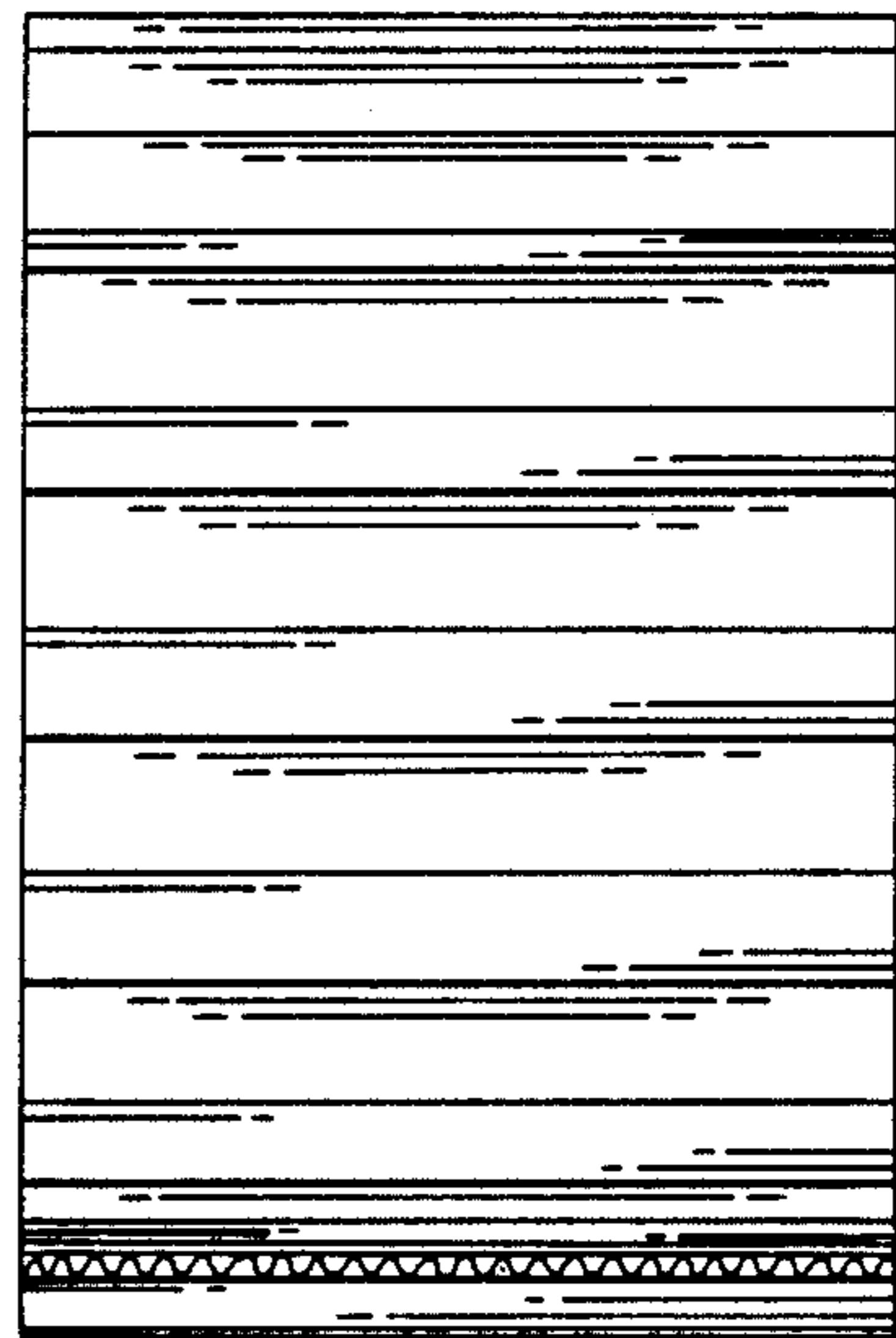


Fig. 4

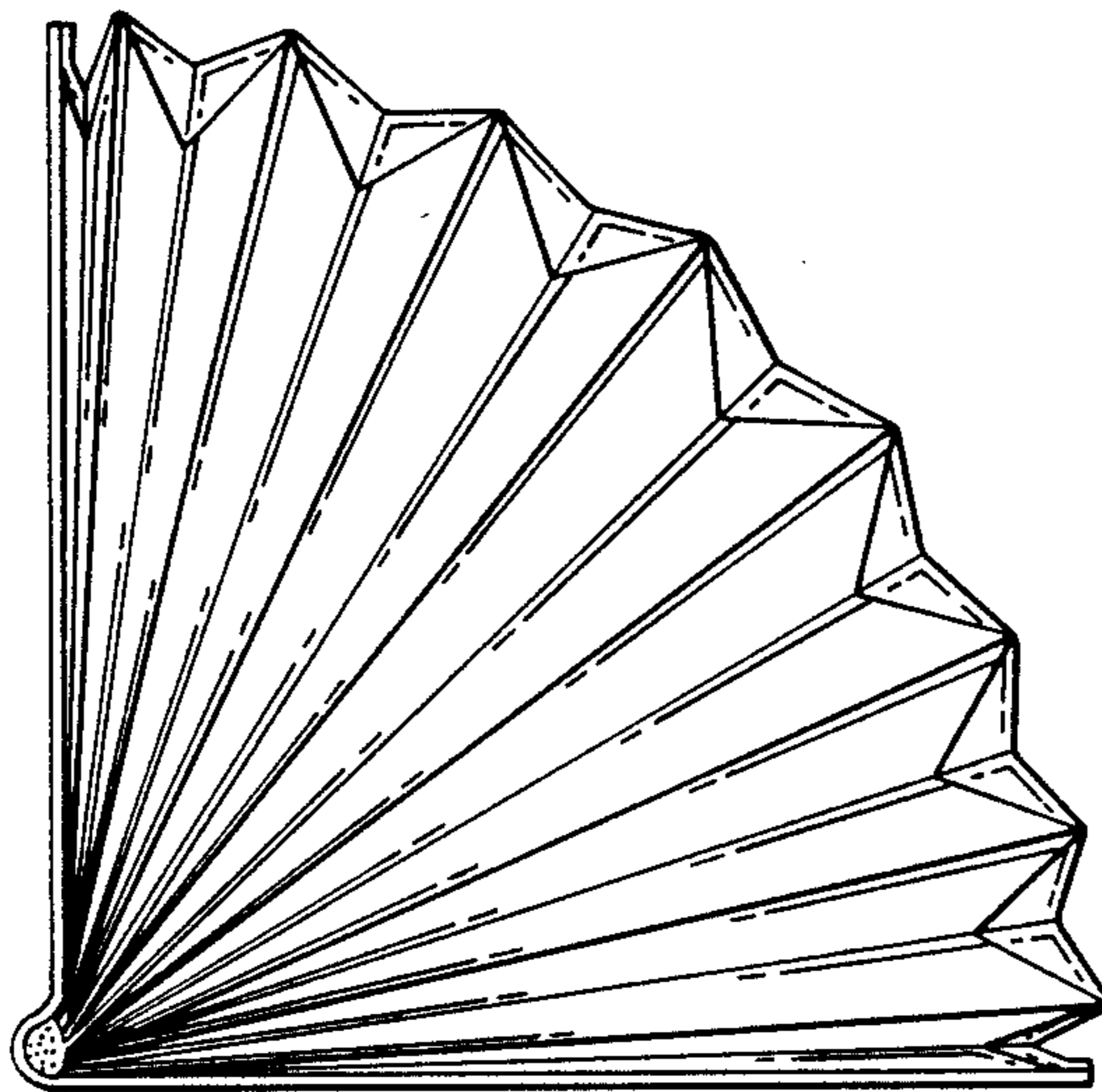


Fig. 5

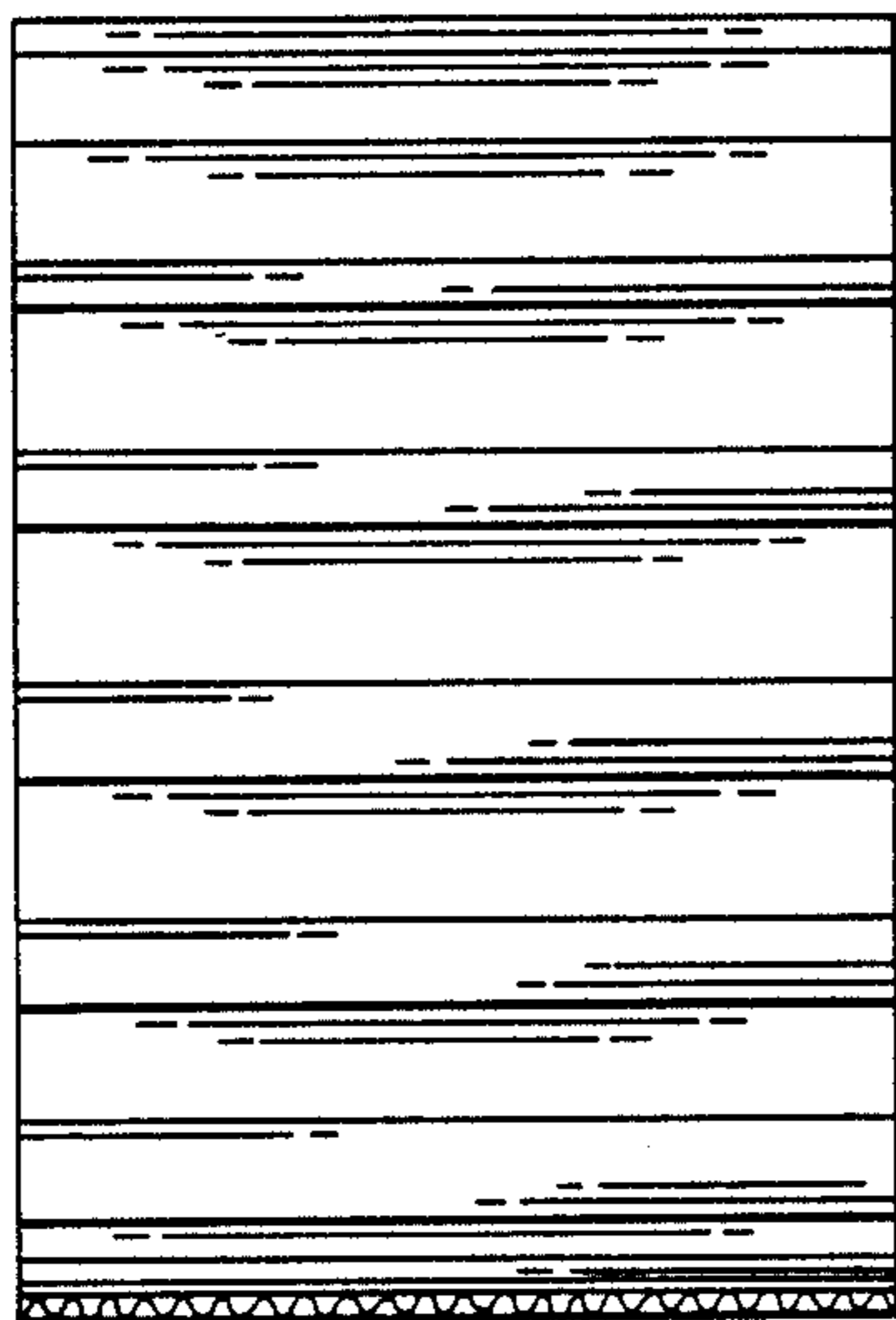


Fig. 6

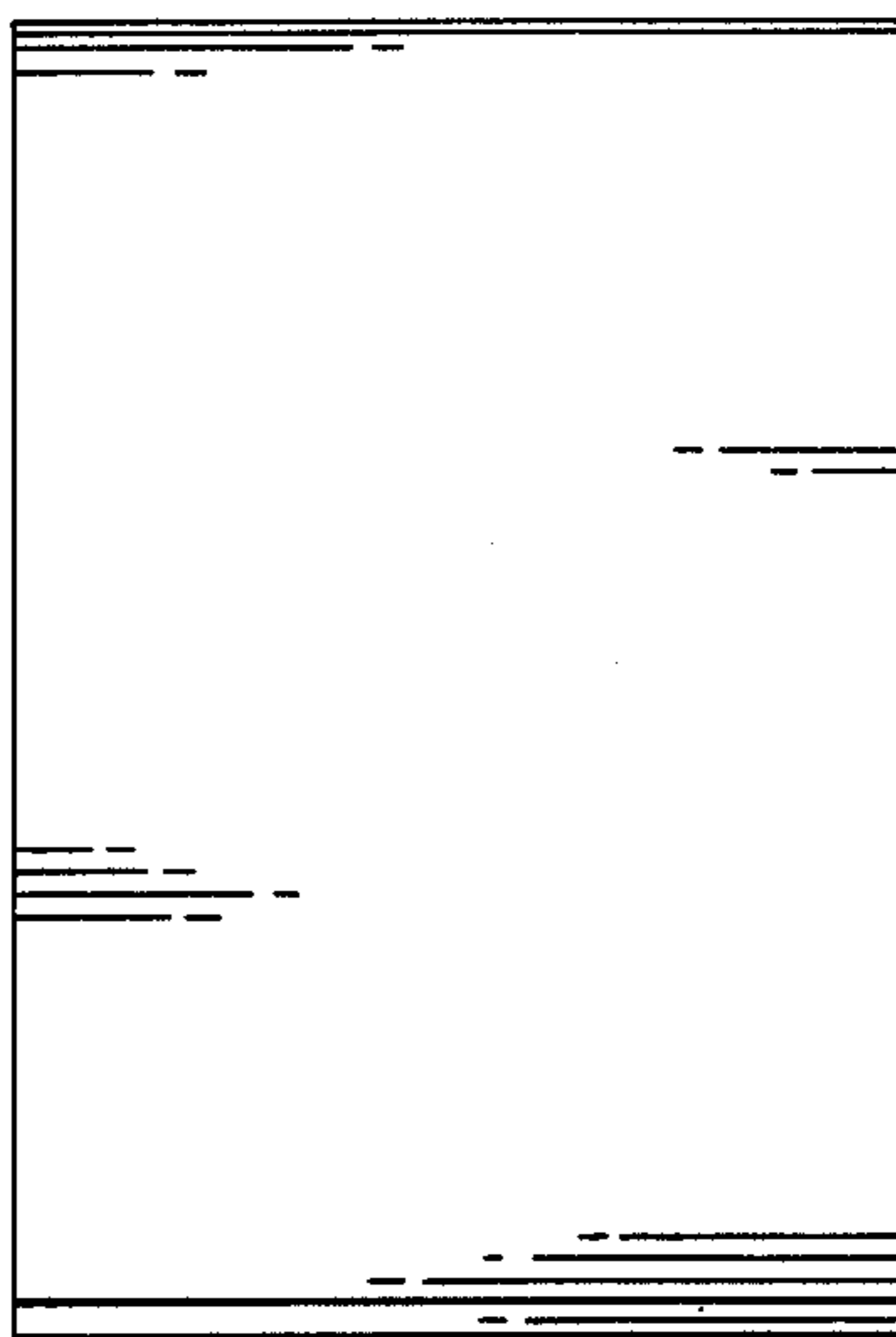


Fig. 7