

[54] CAT PLAY HOUSE

[76] Inventor: Randal Andersen, 2954 S. Verbena Way, Denver, Colo. 80231

[**] Term: 14 Years

[21] Appl. No.: 189,583

[22] Filed: Apr. 28, 1988

[52] U.S. Cl. D30/112

[58] Field of Search D30/102, 108-120, D30/125, 160; 119/17, 19, 23, 26, 29, 52.2, 57.8; D25/7, 8, 31, 33

[56] References Cited

U.S. PATENT DOCUMENTS

- D. 205,501 8/1966 Beren D25/7 X
- D. 206,934 2/1967 Hedu D25/33
- D. 220,843 6/1971 Cook D30/108
- D. 224,685 8/1972 Michlap D30/117
- D. 224,686 8/1972 Michlap D30/117
- D. 257,293 10/1980 Michalski D30/160
- D. 268,787 4/1983 Franklin, Jr. et al. D25/33 X

- D. 290,767 7/1987 Duffek D30/108
- 4,177,761 12/1979 Bellocchi, Jr. 119/19
- 4,301,766 11/1981 Piccone 119/29 X
- 4,347,807 9/1982 Reich 119/29

Primary Examiner—James R. Largen
Attorney, Agent, or Firm—Timothy J. Martin

[57] CLAIM

The ornamental design for a cat play house, as shown and described.

DESCRIPTION

FIG. 1 is a perspective view taken from the top, front and left side of a cat play house showing my new design;

FIG. 2 is a perspective view taken from the top, rear and right side thereof;

FIG. 3 is a rear elevational view thereof;

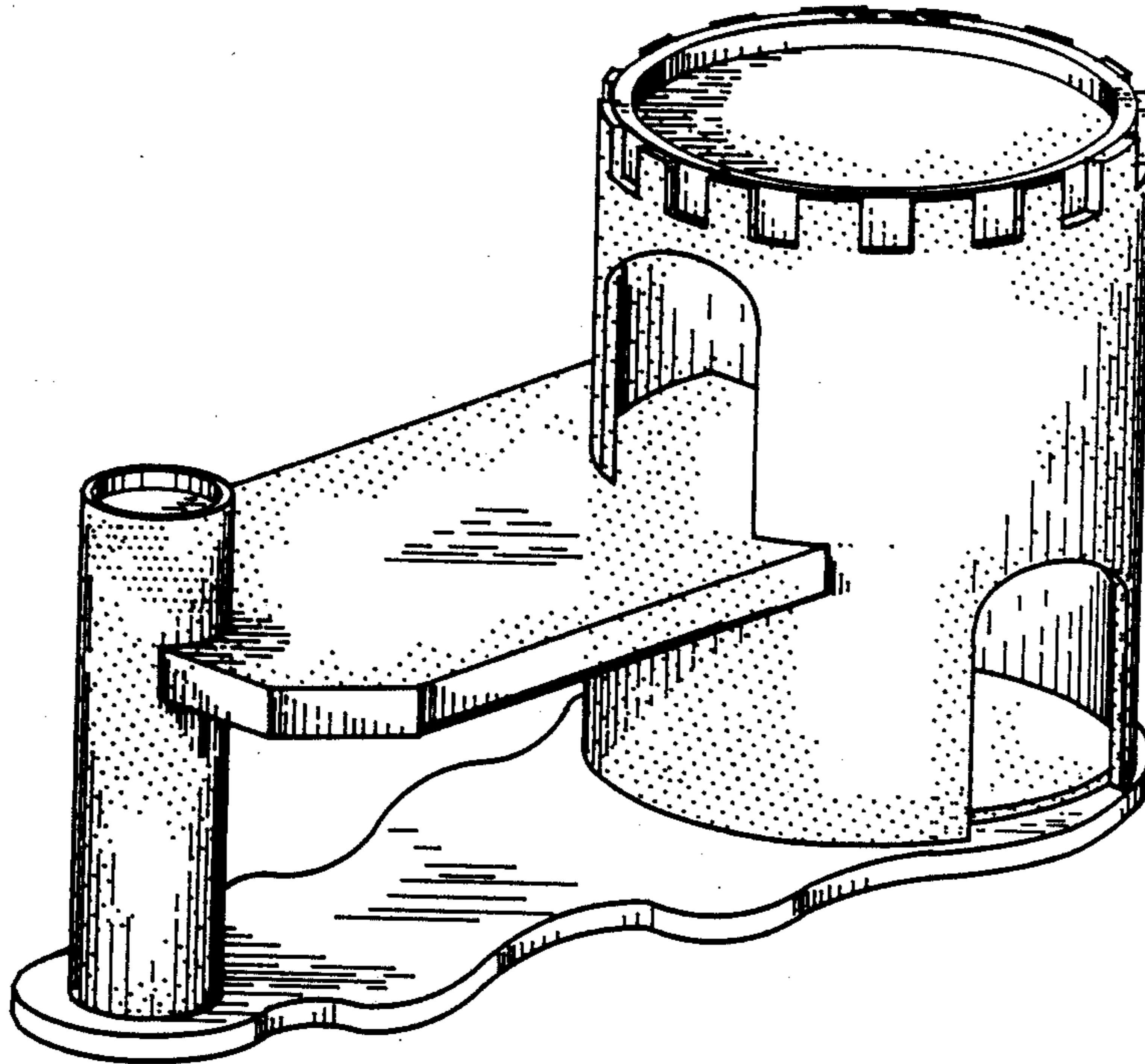
FIG. 4 is a front elevational view thereof;

FIG. 5 is a left side elevational view thereof;

FIG. 6 is a right side elevational view thereof;

FIG. 7 is a top plan view thereof; and

FIG. 8 is a bottom plan view thereof.



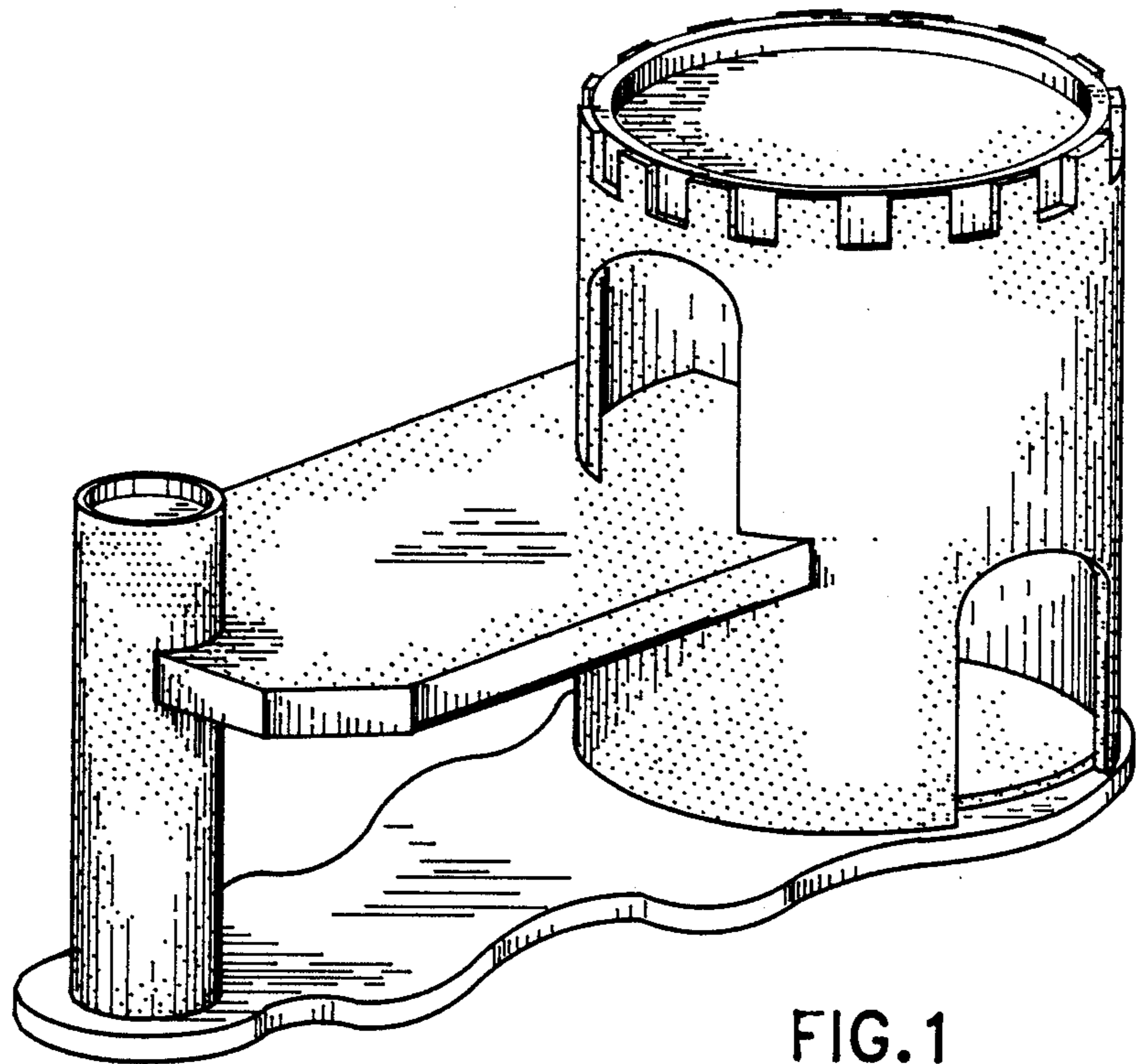


FIG. 1

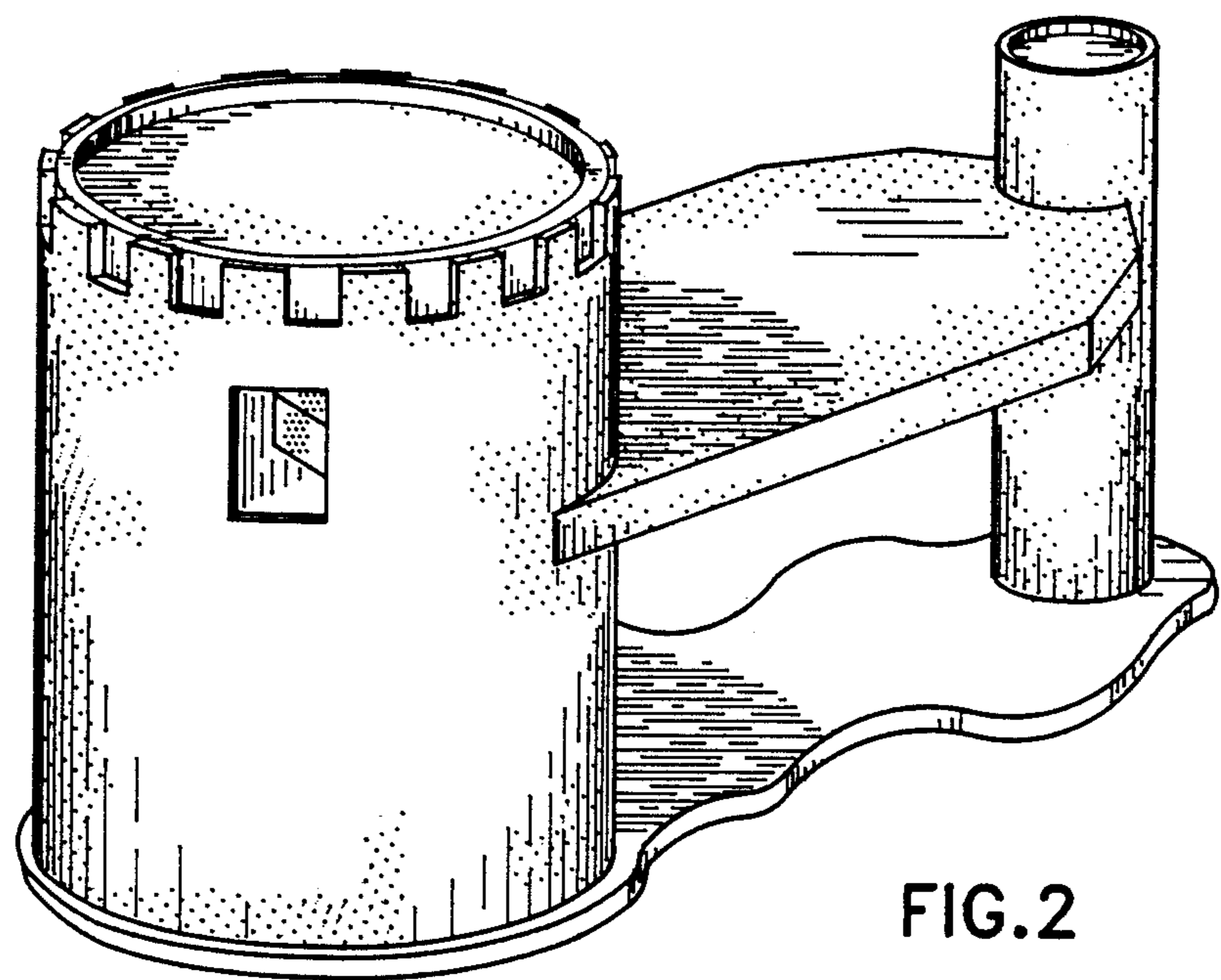


FIG. 2

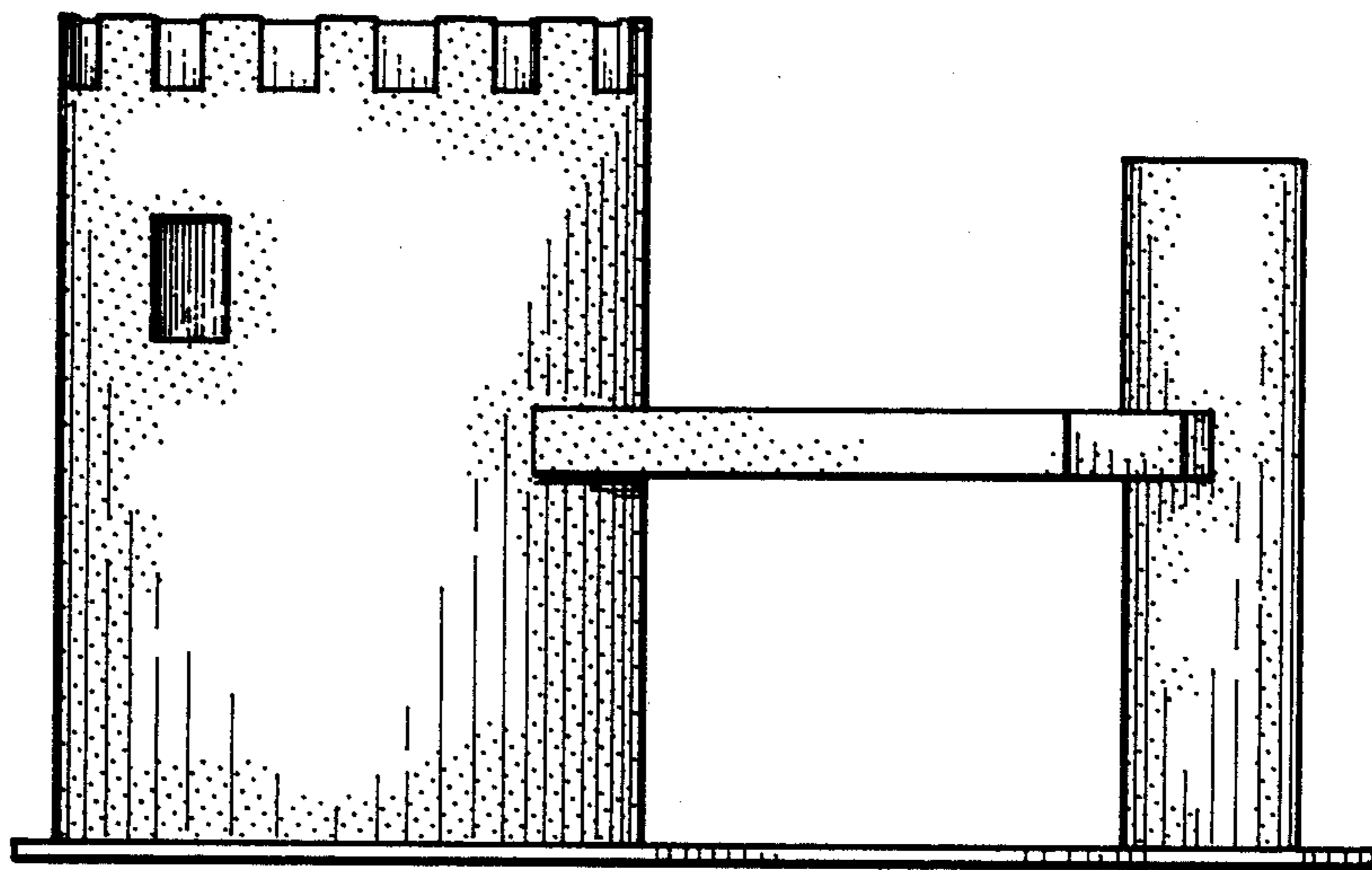


FIG. 3

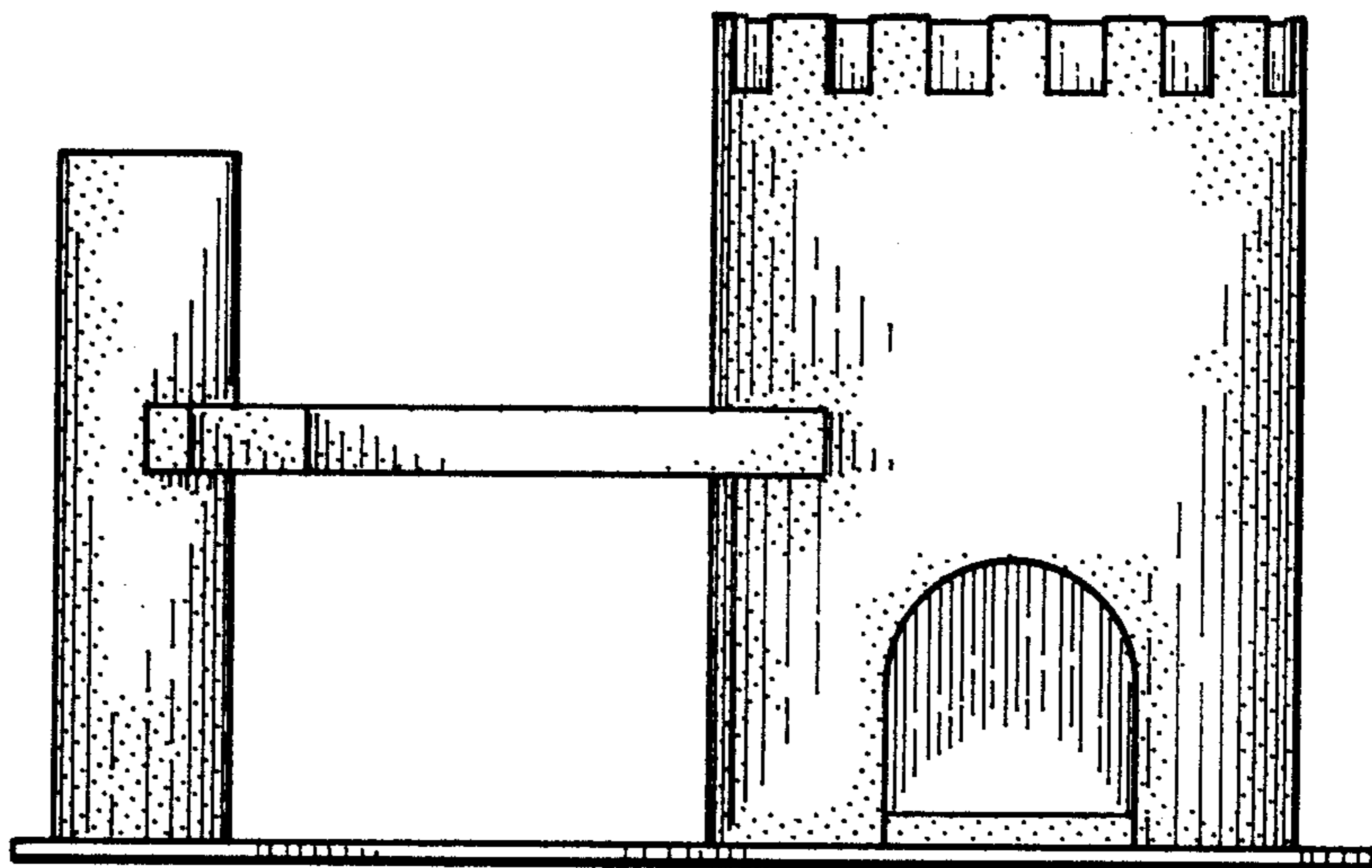


FIG. 4

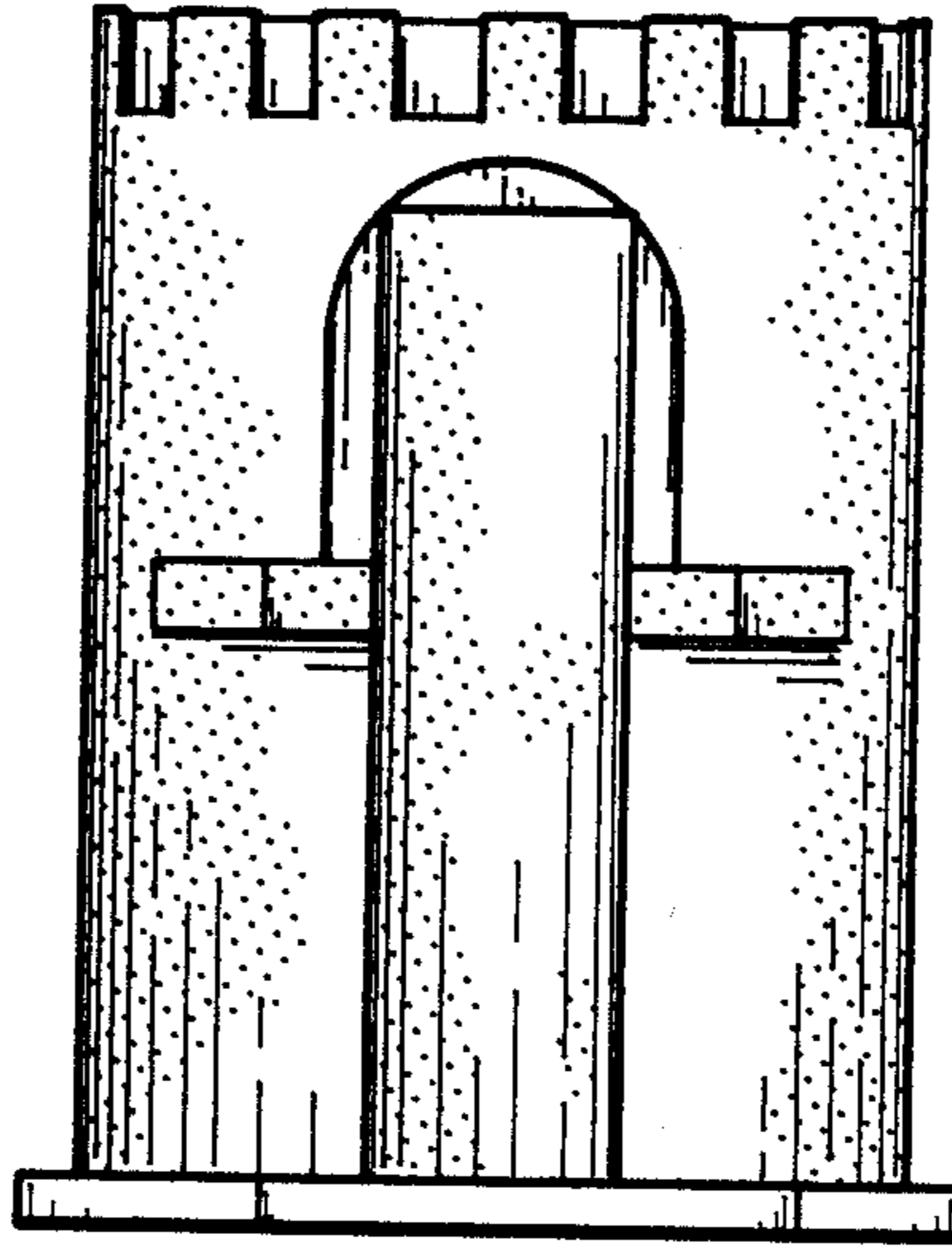


FIG. 5

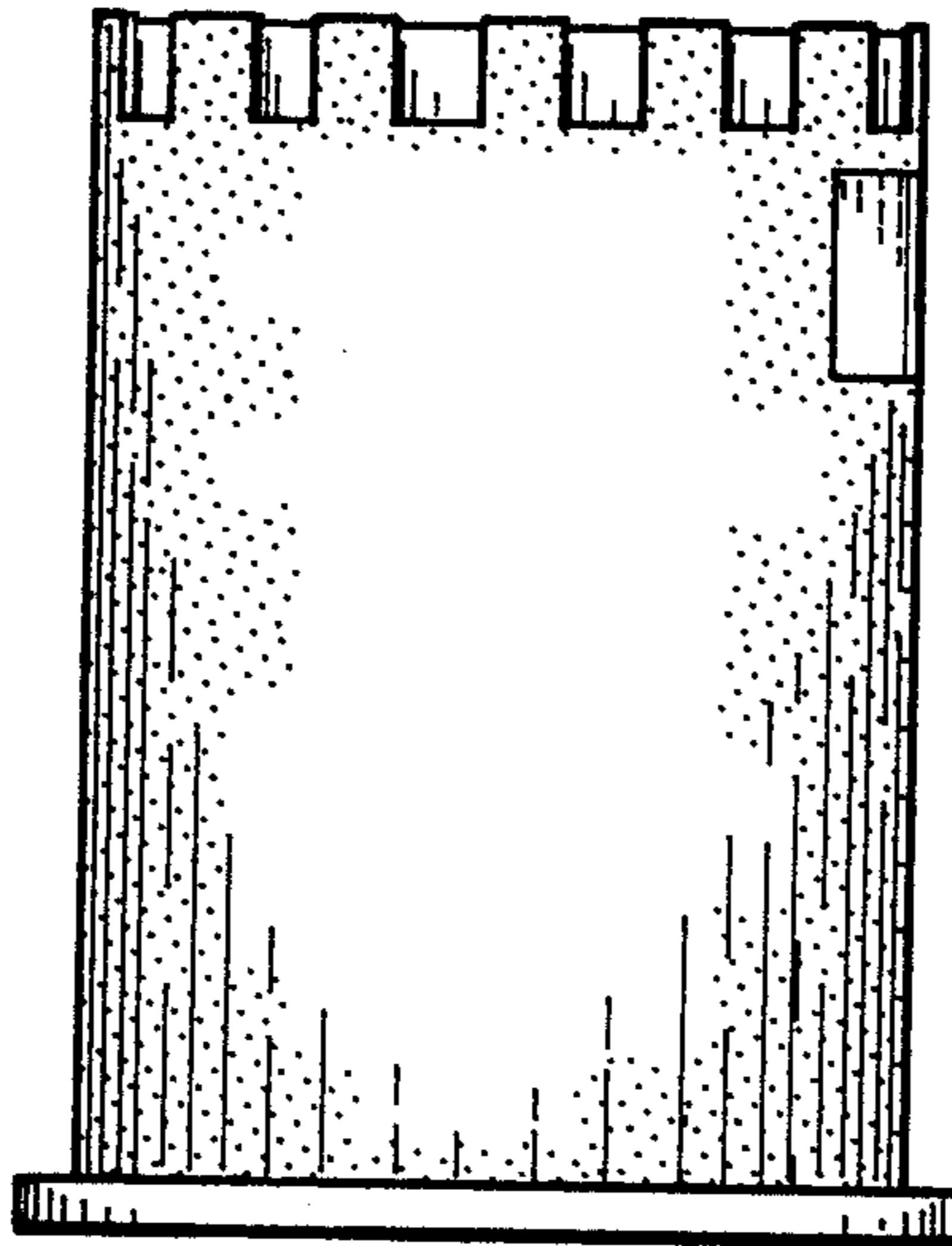


FIG. 6

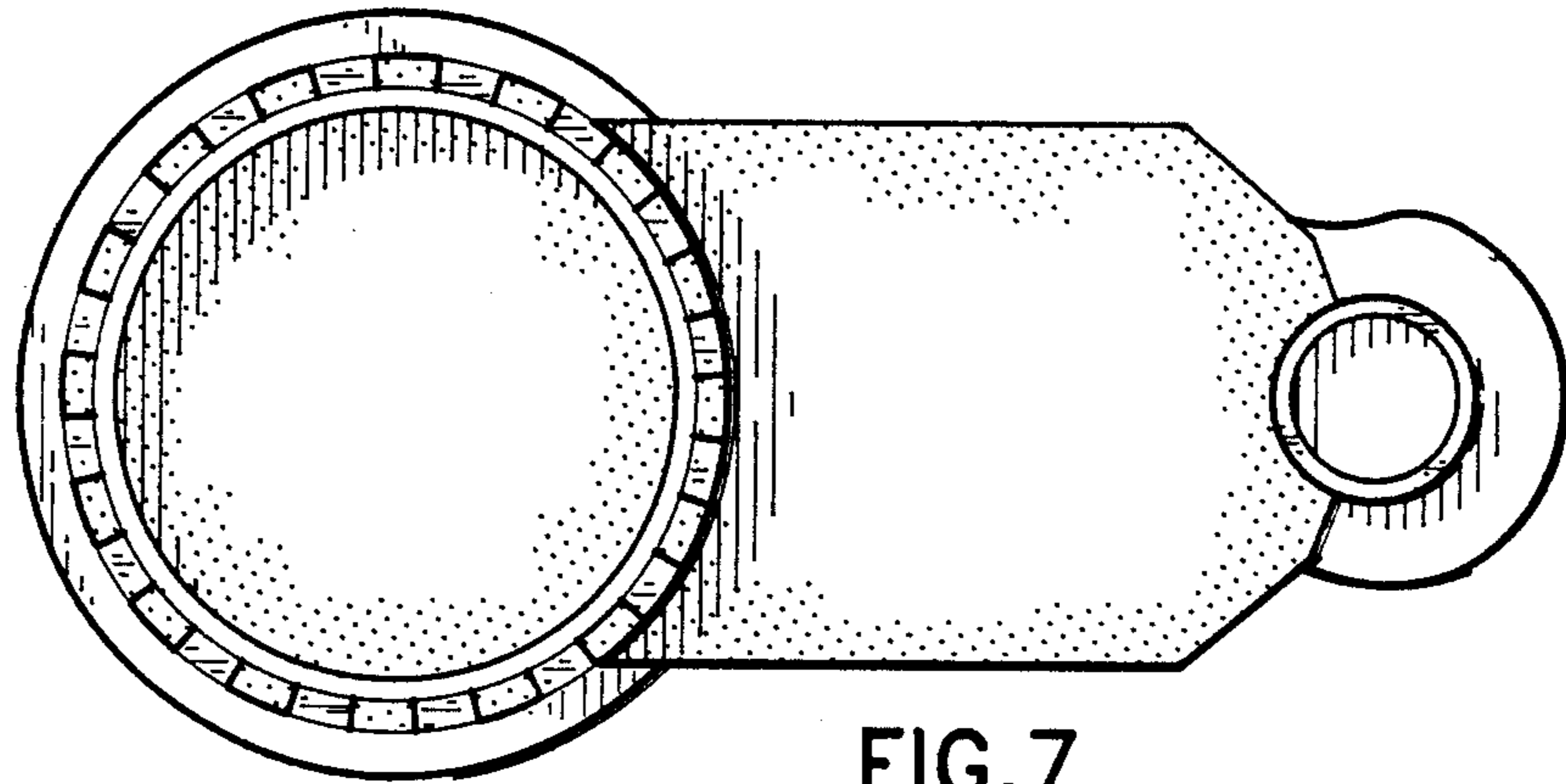


FIG. 7

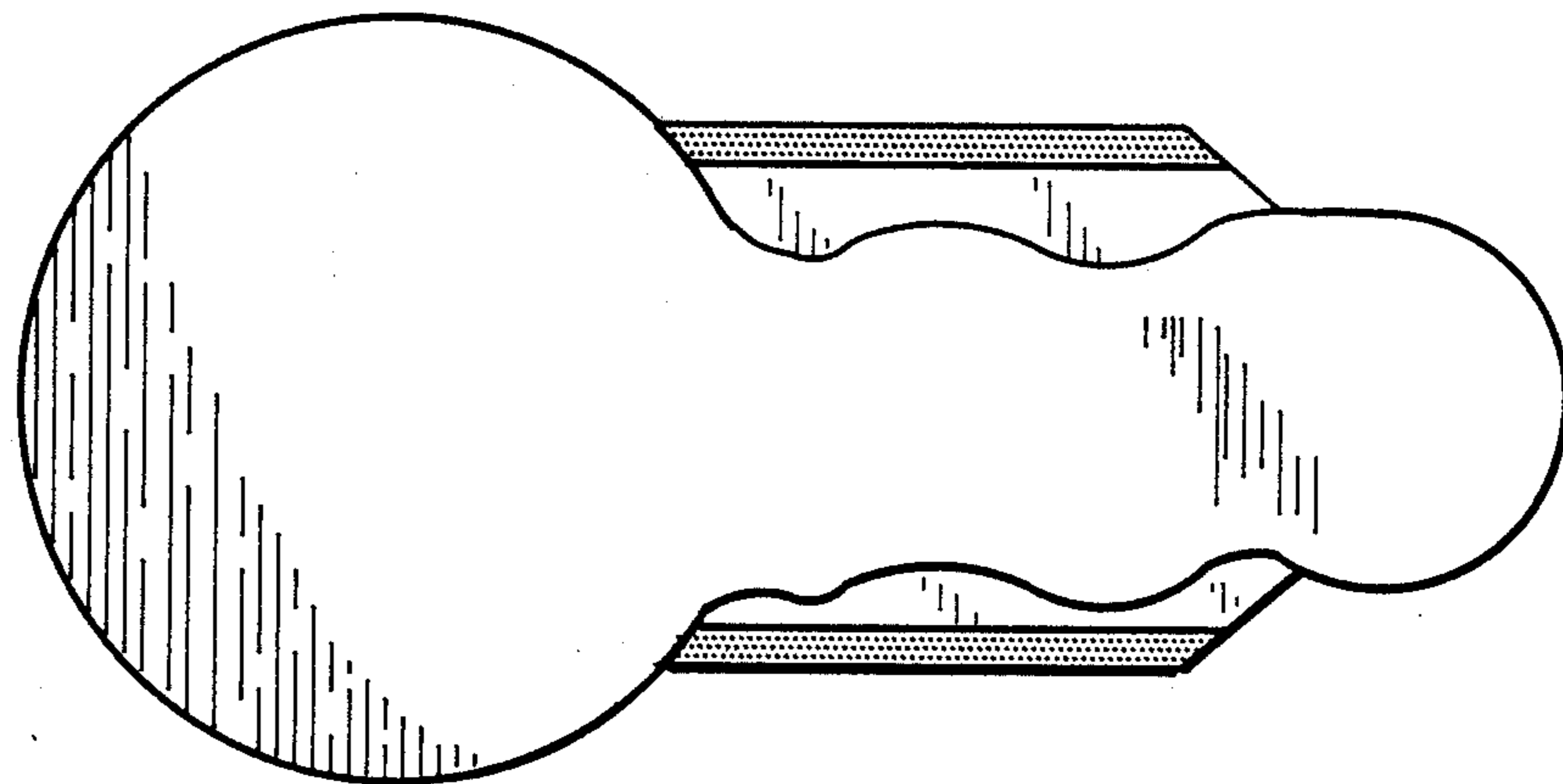


FIG. 8