

[54] COMBINED CIGARETTE CASE AND ASHTRAY

[76] Inventor: Robert W. Mohr, 331 40th Ave., East Moline, Ill. 61244

[**] Term: 14 Years

[21] Appl. No.: 203,032

[22] Filed: Jun. 6, 1988

[52] U.S. Cl. D27/106; D99/1

[58] Field of Search D27/102, 105, 106, 172, D27/186, 183, 188, 189; D99/1, 7; 27/2, 5, 6, 7, 8, 14, 19, 35; 131/231, 242

[56] References Cited

U.S. PATENT DOCUMENTS

D. 199,716	12/1964	Gluck	D27/106
D. 200,383	2/1965	Gluck	D27/106
D. 200,619	3/1965	Stepak	D27/188
D. 286,207	10/1986	Colliver	D27/188
D. 287,415	12/1986	Cramer	D27/106
2,494,577	1/1950	Paden	D99/7 X
3,944,267	3/1976	Sundquist	D99/7 X

OTHER PUBLICATIONS

Coffin Nail Dispenser on p. 18 of *Spencer Gifts*, 1967 Catalog.

Coffin Cigarette Box on p. 2 of *Spencer Gifts*, 1967 Catalog.

Primary Examiner—Susan J. Lucas

Assistant Examiner—Joel Sincavage

Attorney, Agent, or Firm—Henderson & Sturm

[57] CLAIM

The ornamental design of a combined cigarette case and ashtray, as shown and described.

DESCRIPTION

FIG. 1 is an enlarged, right front perspective view of a combined cigarette case and ashtray showing my new design with the lid closed;

FIG. 2 is a front elevational view thereof;

FIG. 3 is a bottom plan view thereof;

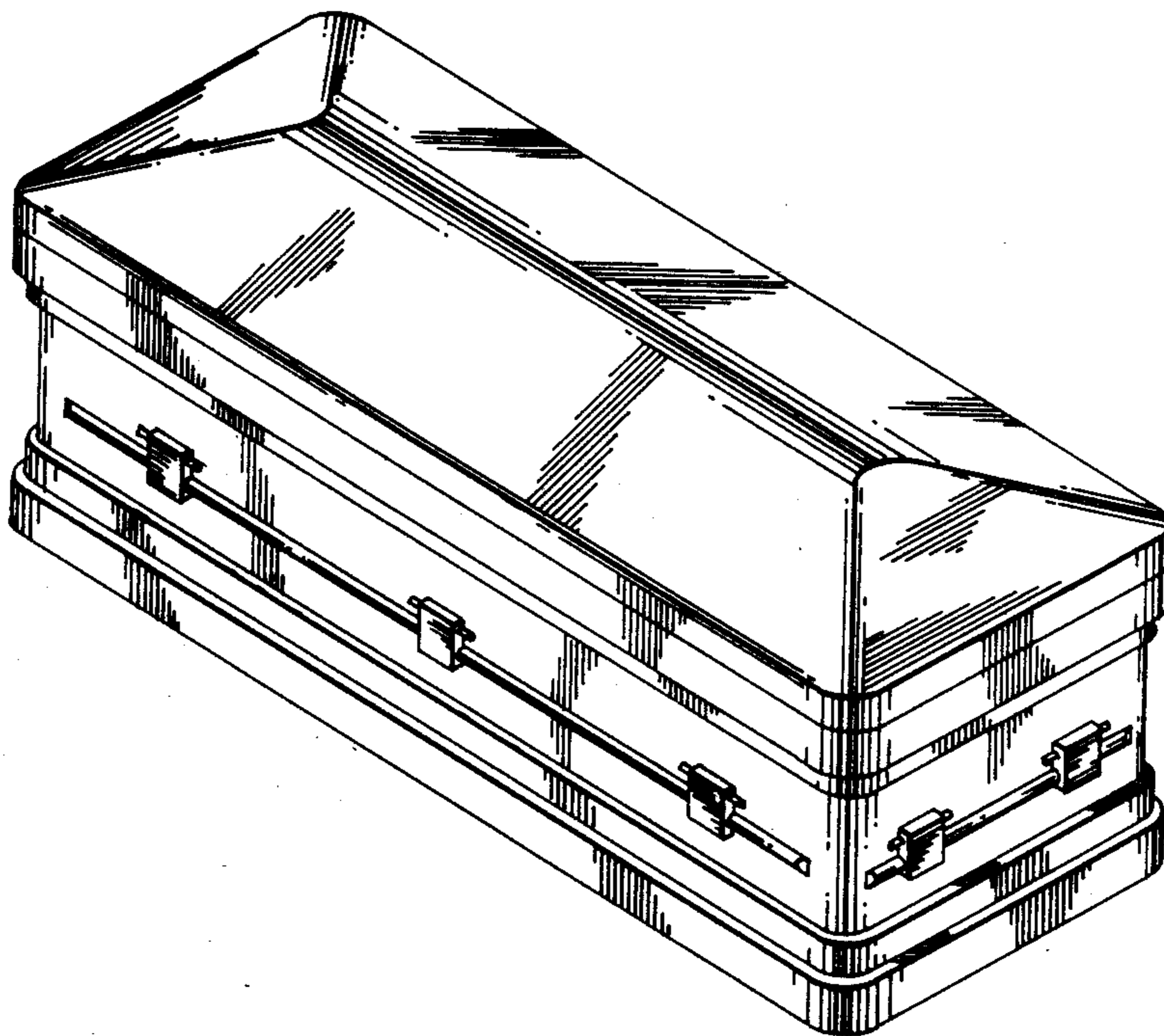
FIG. 4 is a top plan view thereof;

FIG. 5 is a rear elevational view thereof;

FIG. 6 is a left end elevational view thereof;

FIG. 7 is a right end elevational view thereof; and

FIG. 8 is an enlarged, right front perspective view of a cigarette case and ashtray showing my new design with the lid in the open position for the purpose of a complete disclosure.



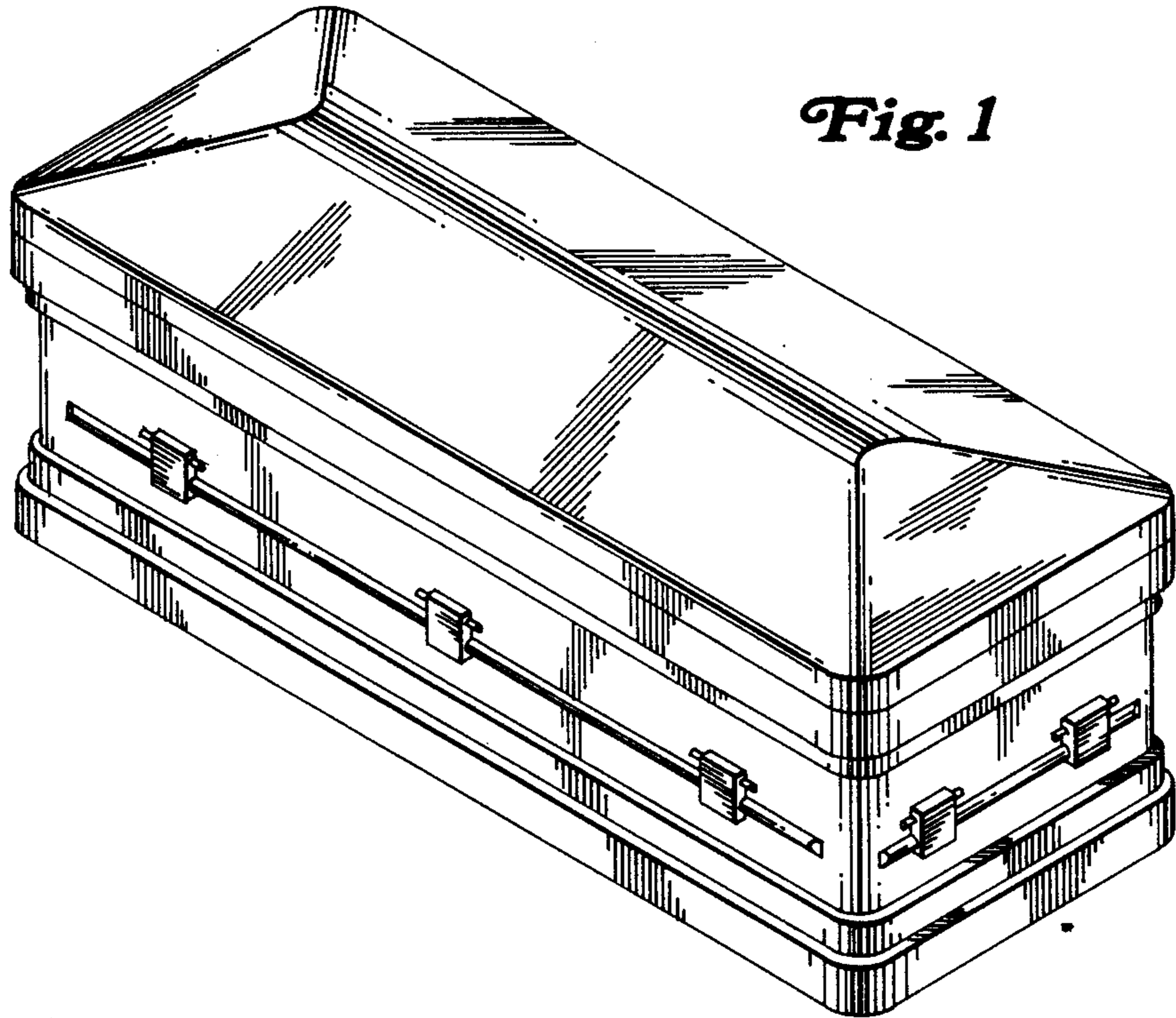


Fig. 1

Fig. 2

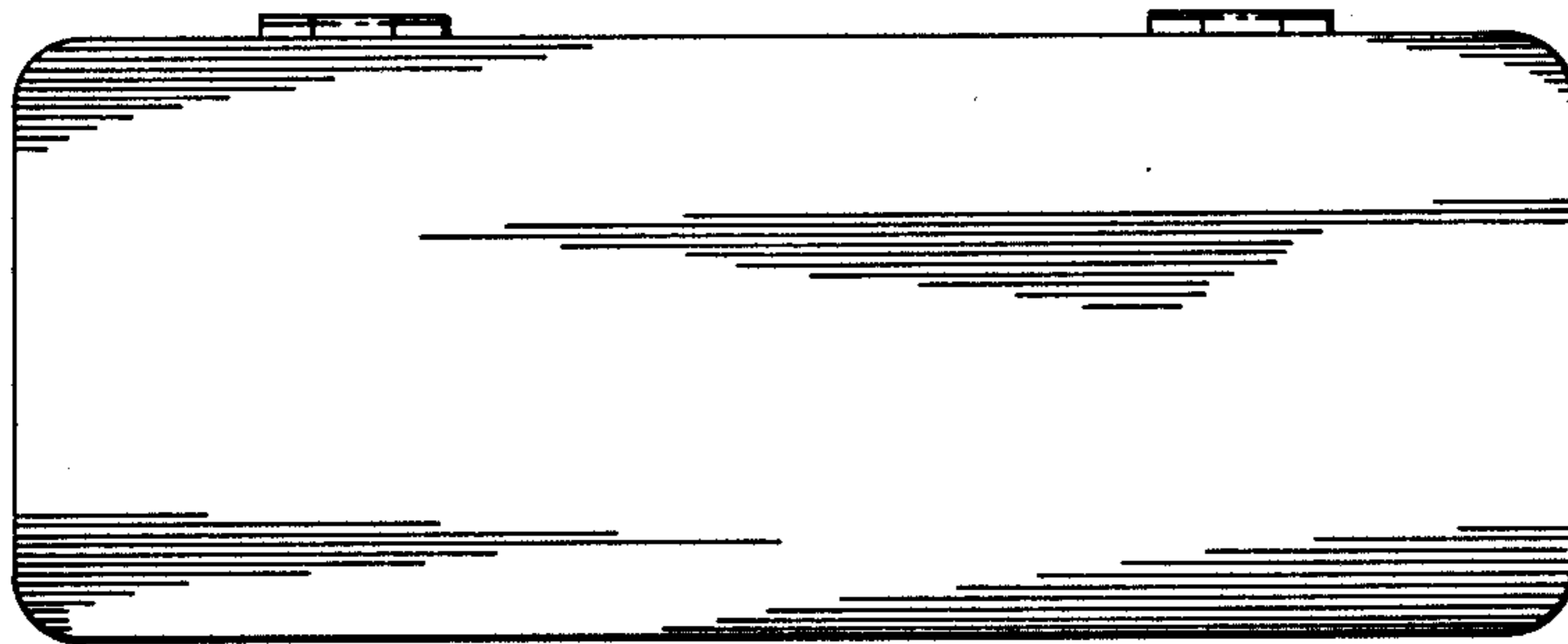
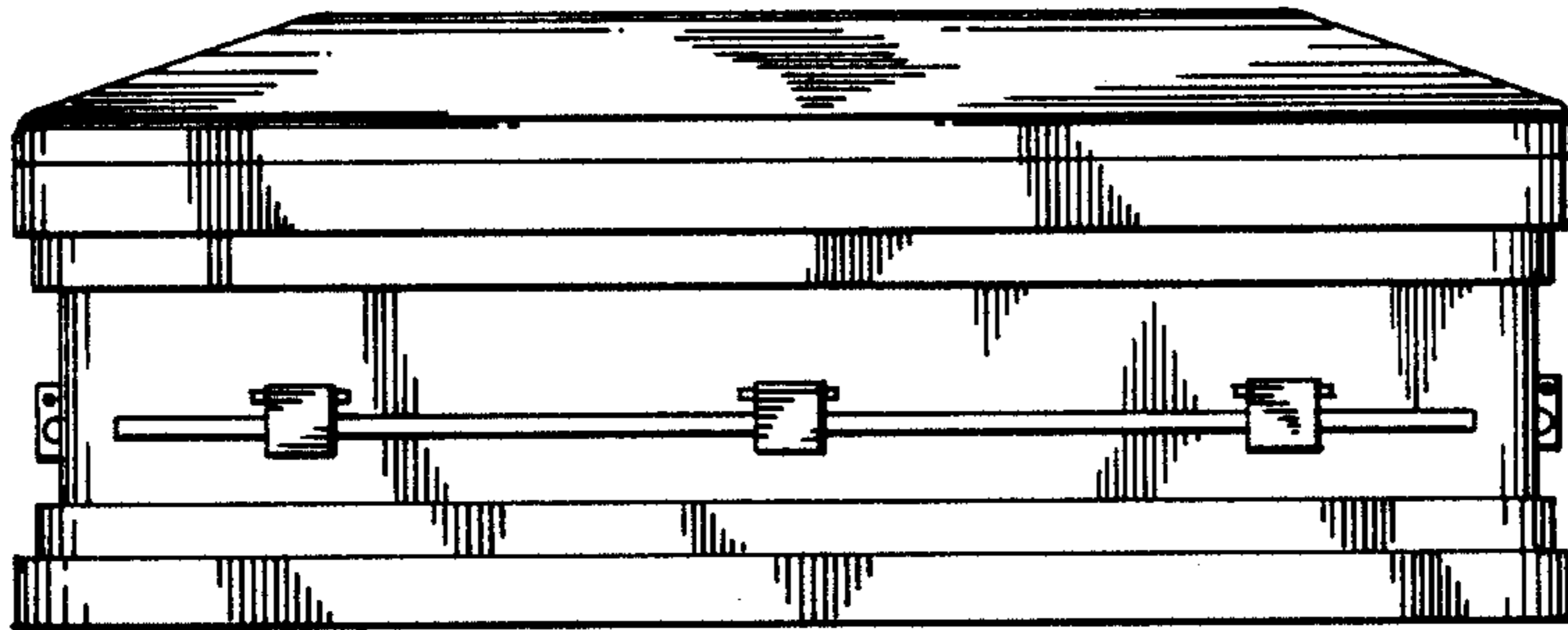


Fig. 3

Fig. 4

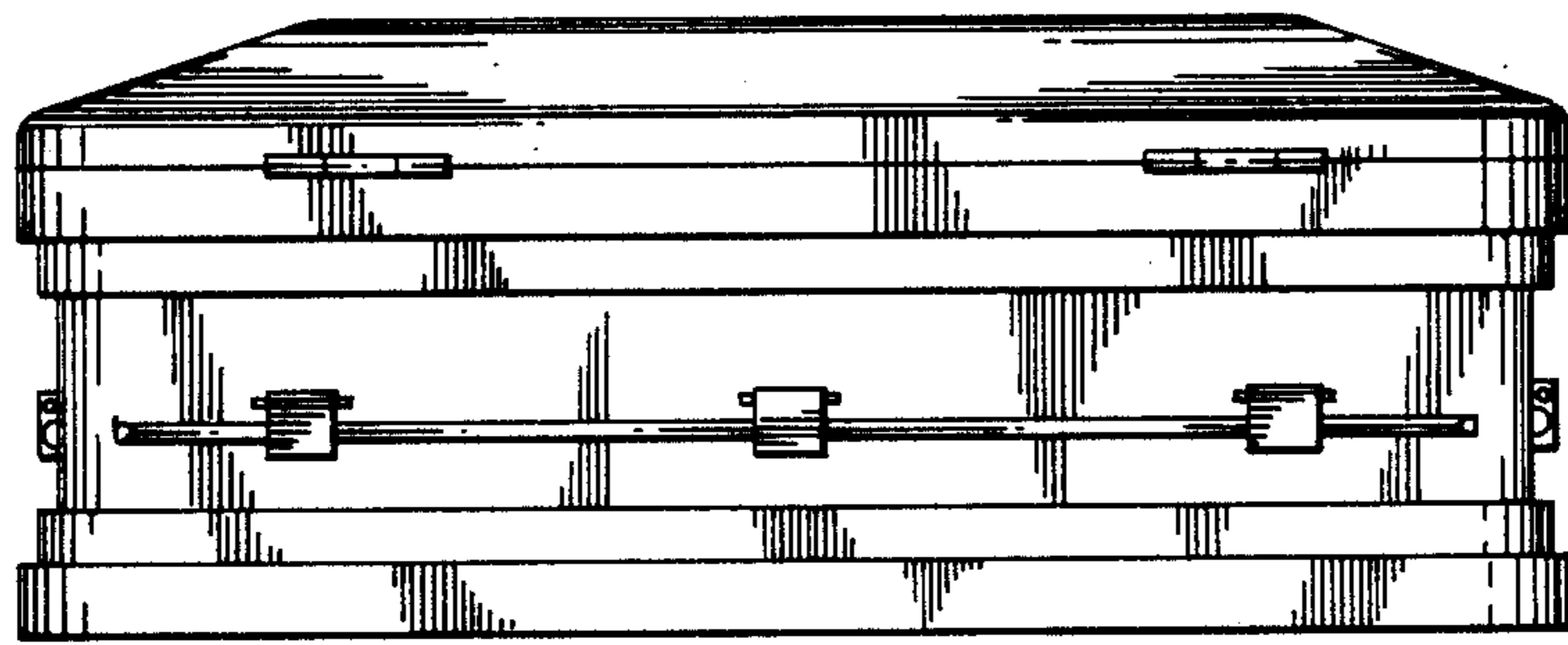
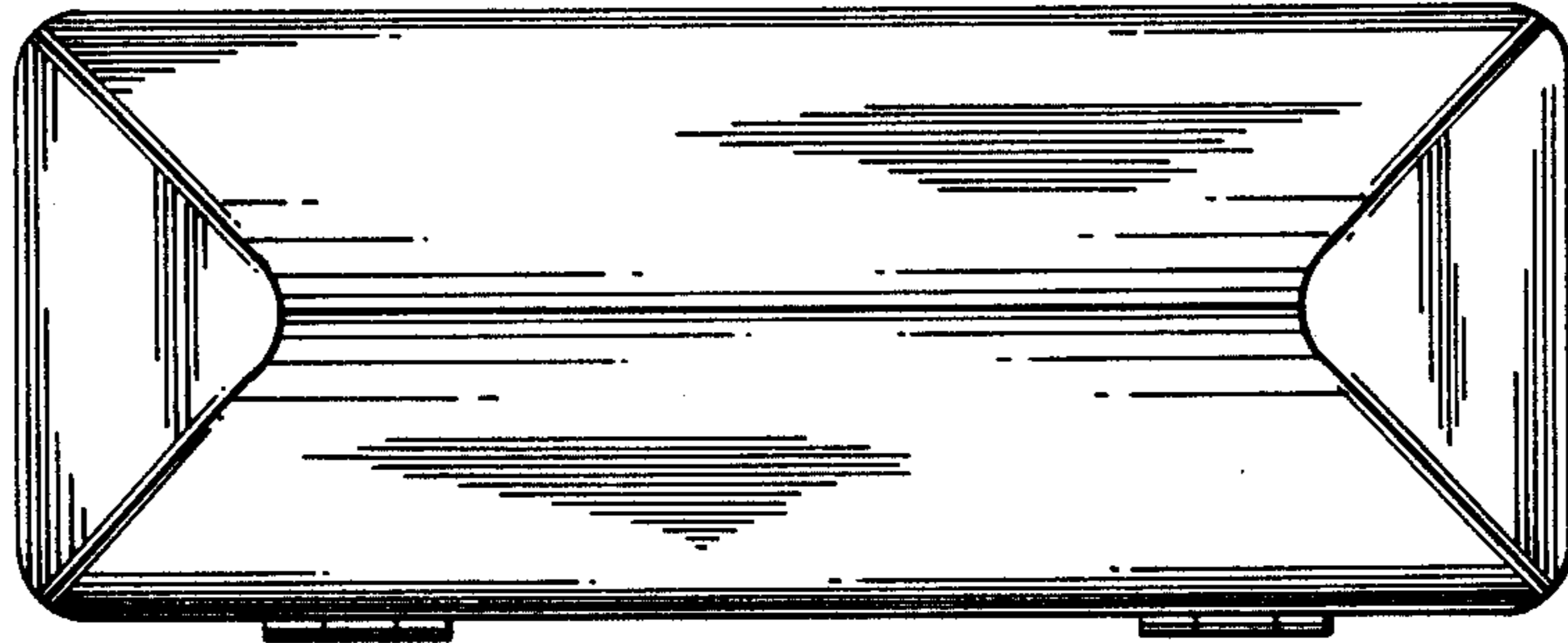


Fig. 5

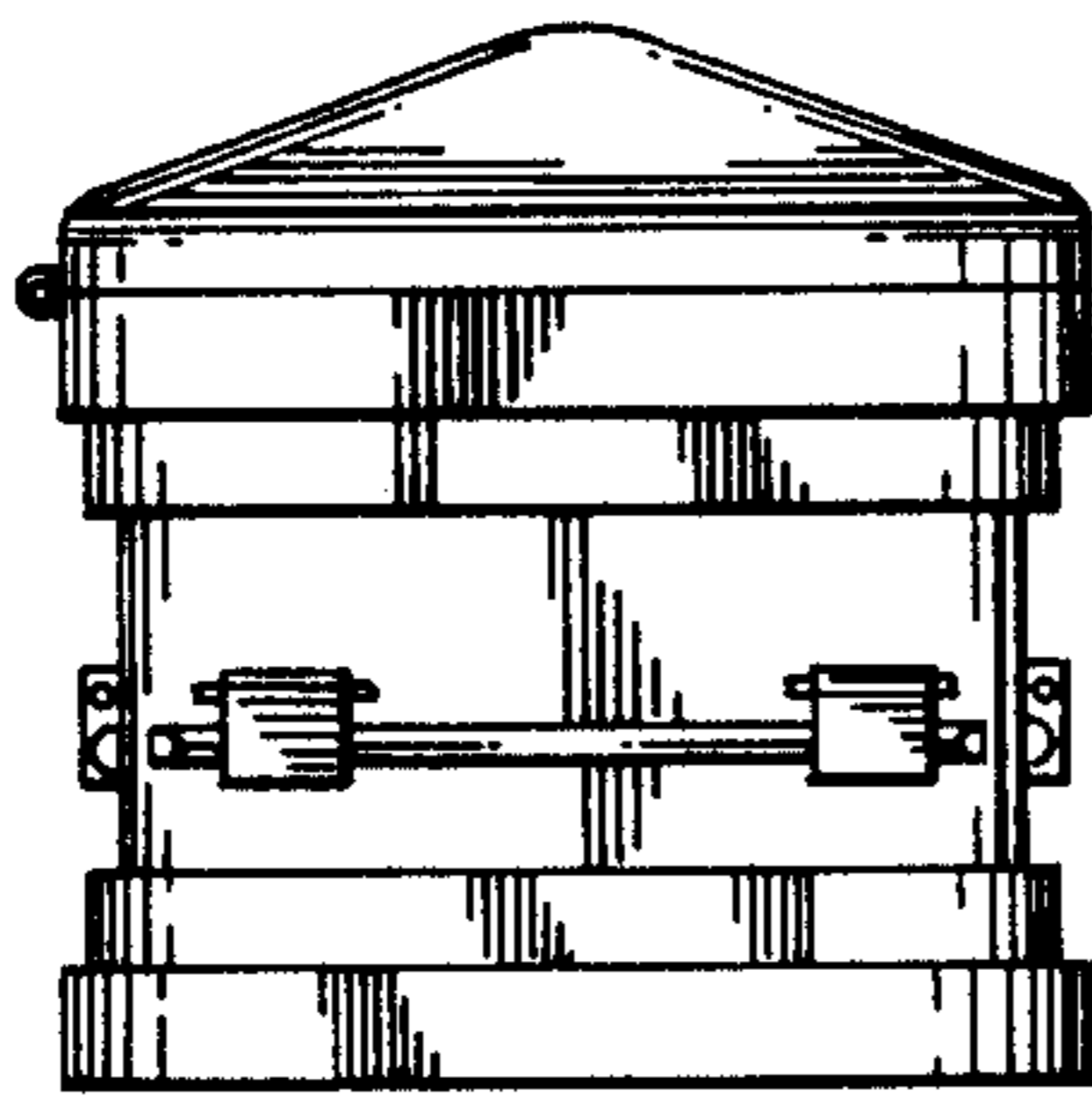


Fig. 6

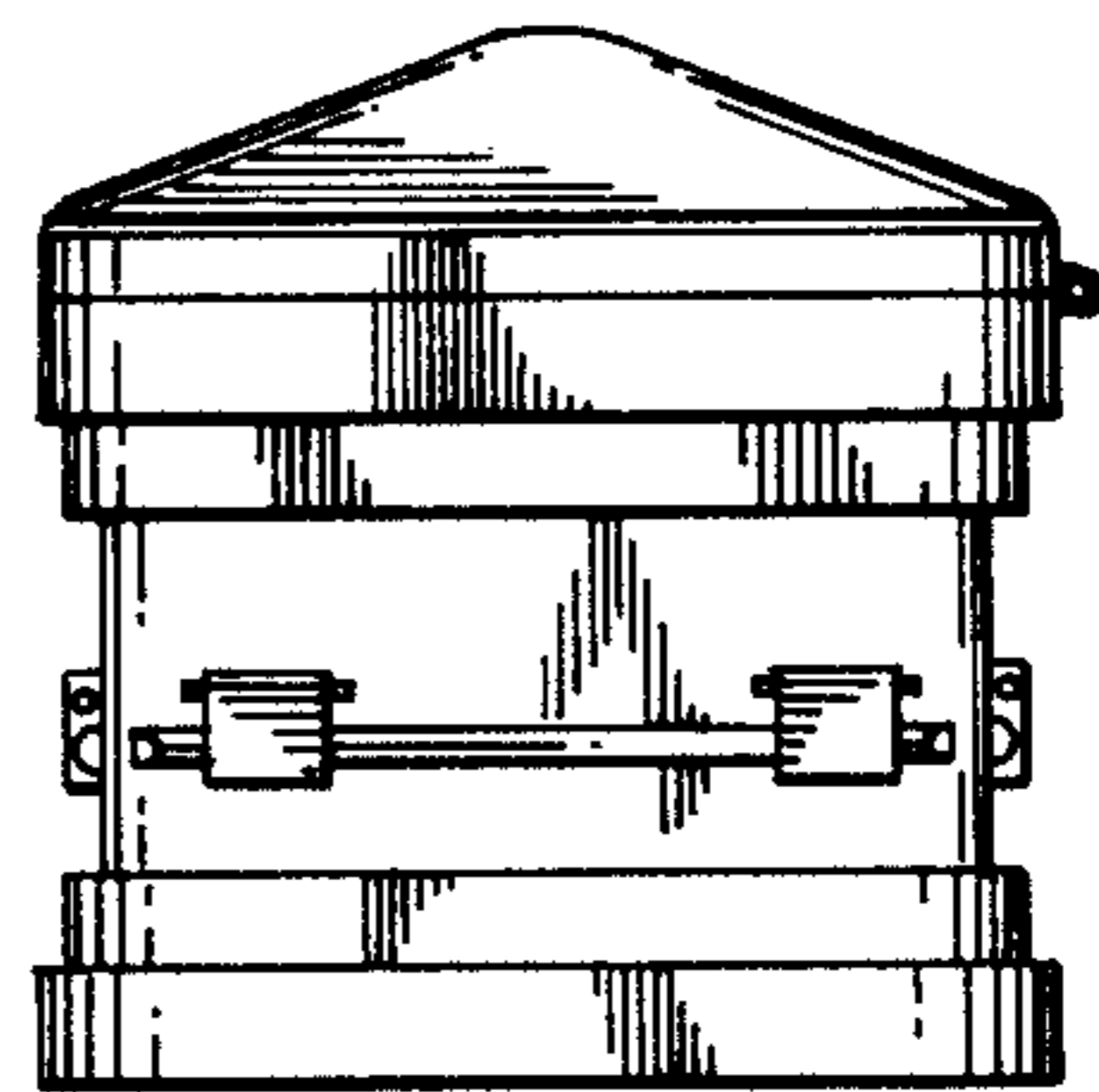


Fig. 7

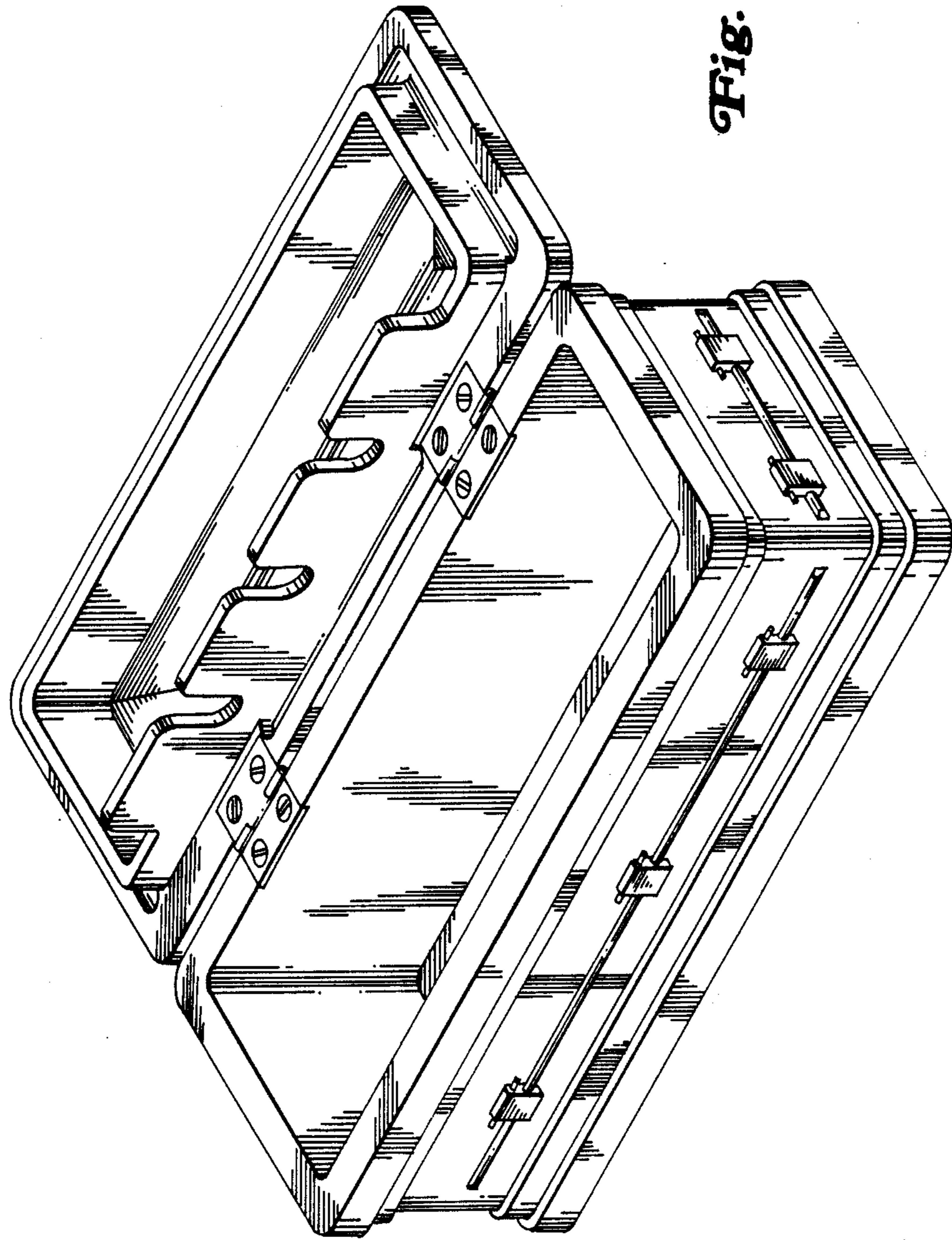


Fig. 8