

United States Patent [19]

Sharber et al.

[11] Patent Number: Des. 309,032

[45] Date of Patent: ** Jul. 3, 1990

[54] ADJUSTABLE SUPPORT ARM FOR LAMPS OR THE LIKE

[75] Inventors: Jerry Sharber, Cypress; Mel Evenson, San Pedro, both of Calif.

[73] Assignee: Eldon Industries, Inc., Inglewood, Calif.

[**] Term: 14 Years

[21] Appl. No.: 54,364

[22] Filed: May 26, 1987

[52] U.S. Cl. D26/140; D26/65

[58] Field of Search D26/60-66, D26/138, 140; 362/269, 275, 287, 418, 419, 427, 428; 248/284; D8/349, 355, 363

[56] **References Cited**

U.S. PATENT DOCUMENTS

2,434,986 1/1948 Bremer 248/284 X
3,041,060 6/1962 Jacobsen D26/60 X
3,374,347 3/1968 Hirose 248/284 X

3,543,019 11/1970 Jacobsen .
3,908,297 9/1975 Schmutzler et al. .
4,280,172 7/1981 Krogsrud .

FOREIGN PATENT DOCUMENTS

470449 4/1952 Italy 362/427

Primary Examiner—Susan J. Lucas
Attorney, Agent, or Firm—Price, Gess & Ubell

[57] **CLAIM**

The ornamental design for an adjustable support arm for lamps or the like, as shown and described.

DESCRIPTION

FIG. 1 is a right side elevational view of an adjustable support arm for lamps or the like showing our new design;

FIG. 2 is a front elevational view thereof;

FIG. 3 is a rear elevational view thereof;

FIG. 4 is left side elevational view thereof;

FIG. 5 is a top plan view thereof; and

FIG. 6 is a bottom plan view thereof.

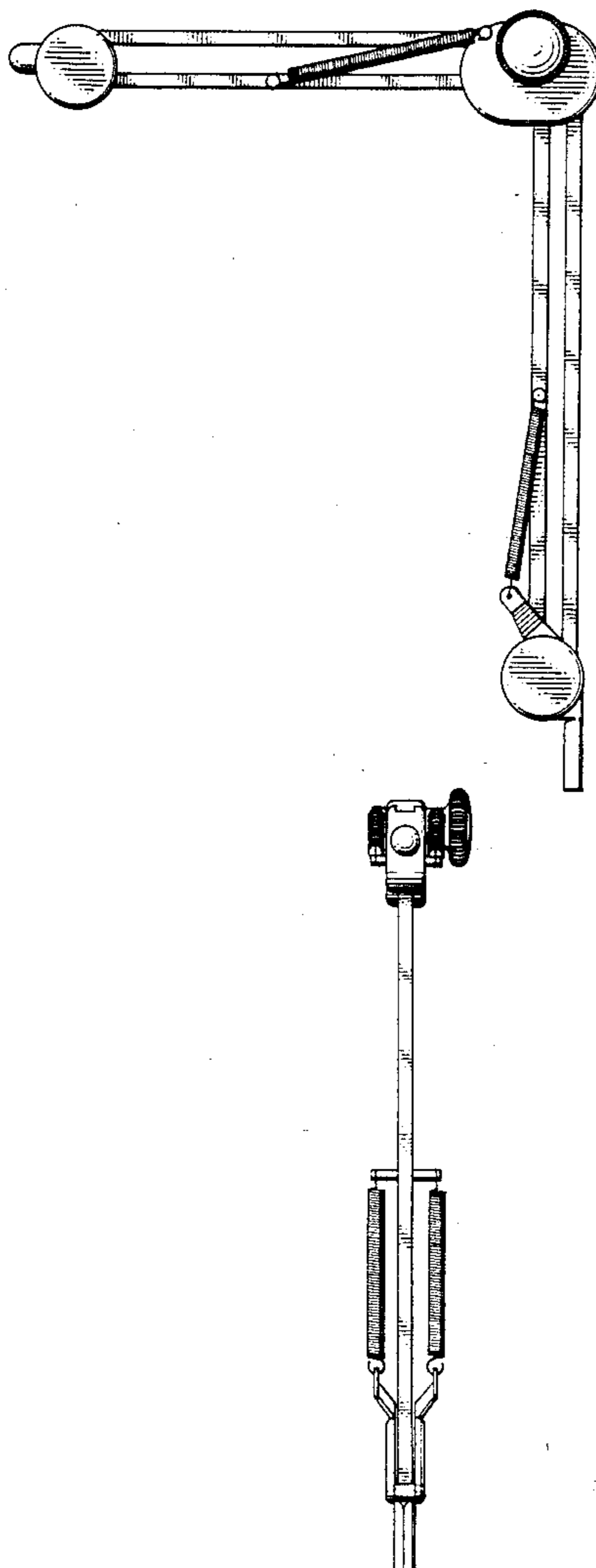


FIG. 1.

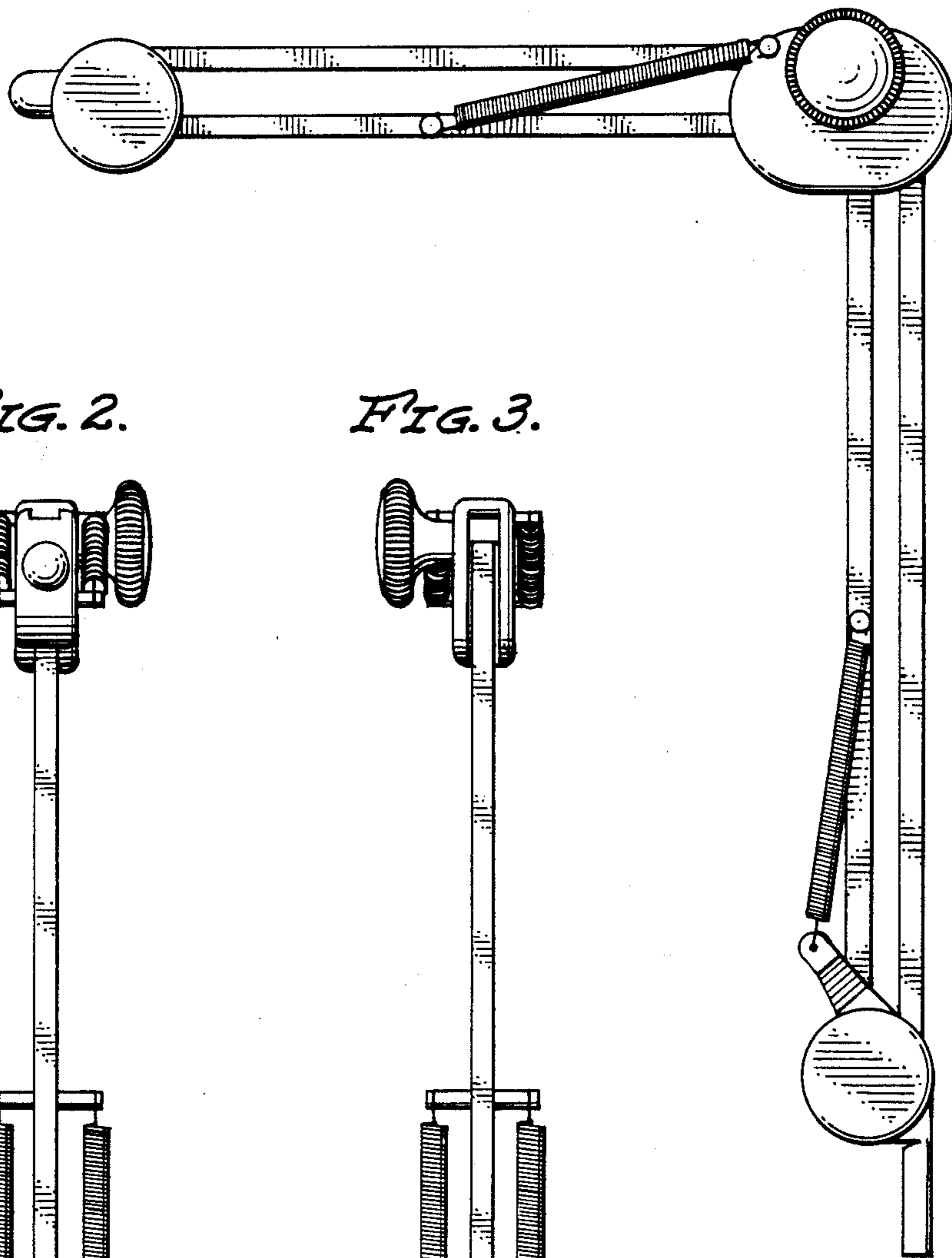


FIG. 2.

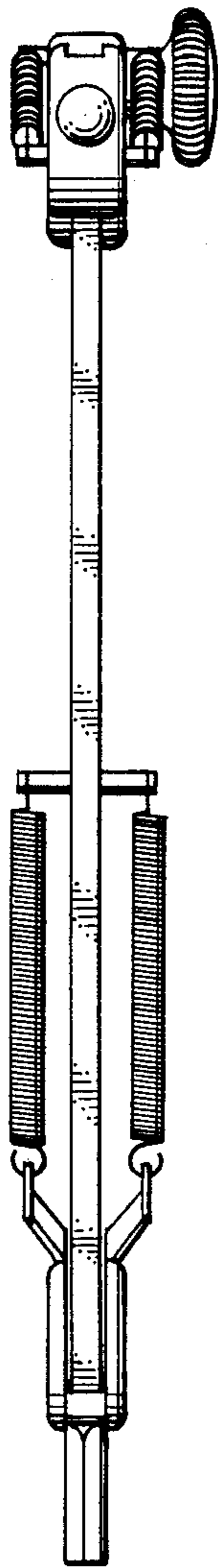


FIG. 3.

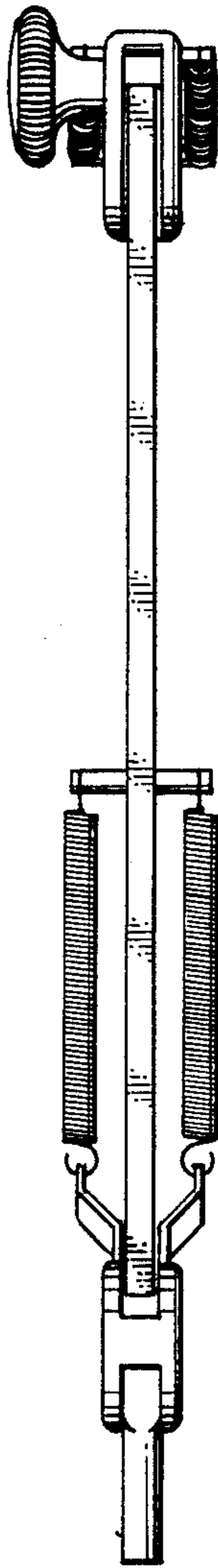


FIG. 4.

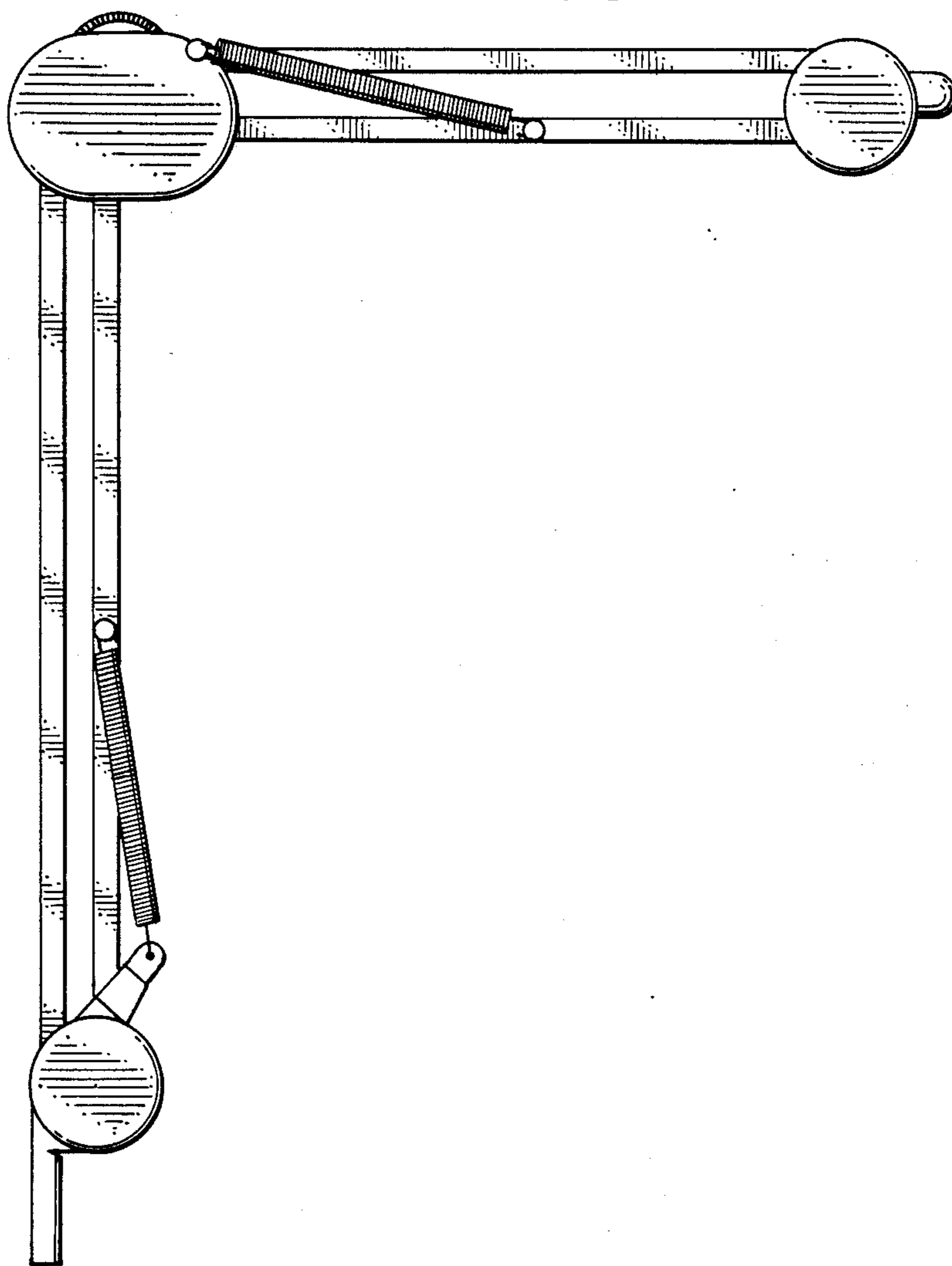


FIG. 5.

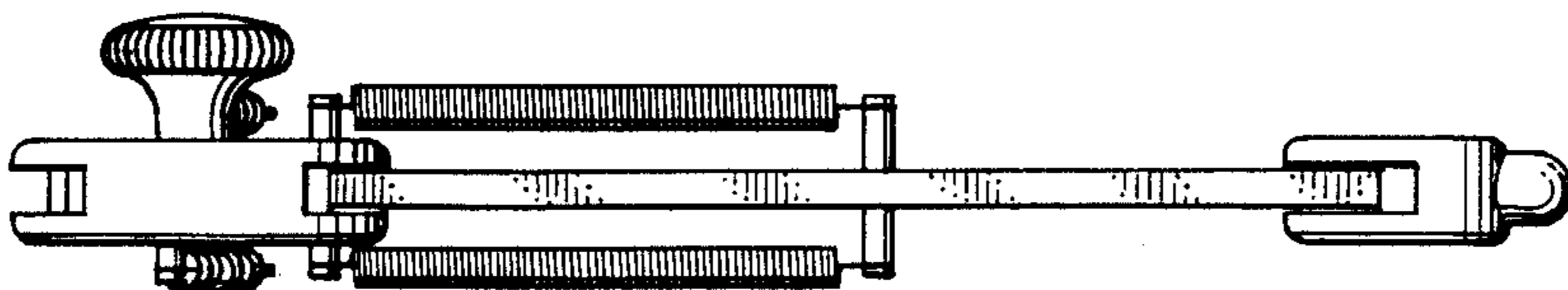


FIG. 6.

