

United States Patent [19]

Harvey et al.

[11] Patent Number: **Des. 309,026**

[45] Date of Patent: **** Jul. 3, 1990**

[54] **LADDER STABILIZER**

[75] Inventors: **David H. C. Harvey**, Poynings; **Ian G. Menelaus**, Burgess Hill, both of England

[73] Assignee: **Stabilad Limited**, Burgess Hill, England

[**] Term: **14 Years**

[21] Appl. No.: **122,422**

[22] Filed: **Nov. 19, 1987**

[52] U.S. Cl. **D25/68**

[58] Field of Search **D25/62, 63, 64, 68, D25/69; D8/354; 182/117, 121, 129, 220; 248/210, 214, 235, 225.31**

[56] **References Cited**

U.S. PATENT DOCUMENTS

1,352,566	9/1920	Voll	182/107
1,398,851	11/1921	Garven	248/211
2,419,065	4/1947	Fowler	182/107
3,708,080	1/1973	Schlei	D25/68
4,194,592	3/1980	Evans	182/214

4,280,590	7/1981	Polizzi	248/210
4,369,860	1/1983	Beane	248/210

FOREIGN PATENT DOCUMENTS

1024706	1/1953	France	182/107
415170	8/1934	United Kingdom	182/107
2166793	5/1986	United Kingdom	182/107

Primary Examiner—A. Hugo Word

Assistant Examiner—Doris Clark

Attorney, Agent, or Firm—Chilton, Alix & Van Kirk

[57] **CLAIM**

The ornamental design for a ladder stabilizer, as shown.

DESCRIPTION

FIG. 1 is a top perspective view of one side of a ladder stabilizer showing my new design;

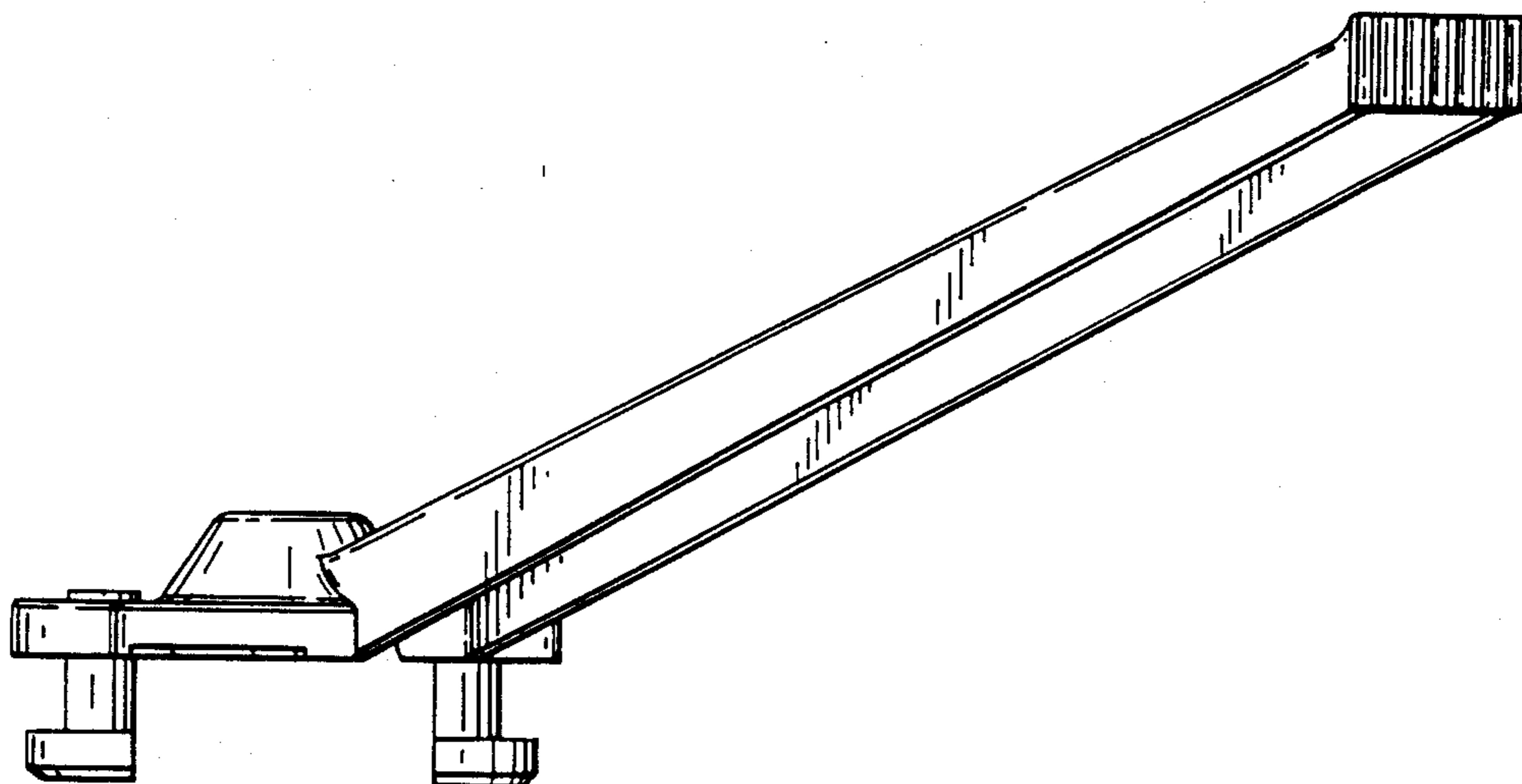
FIG. 2 is a bottom perspective view of the opposite side thereof;

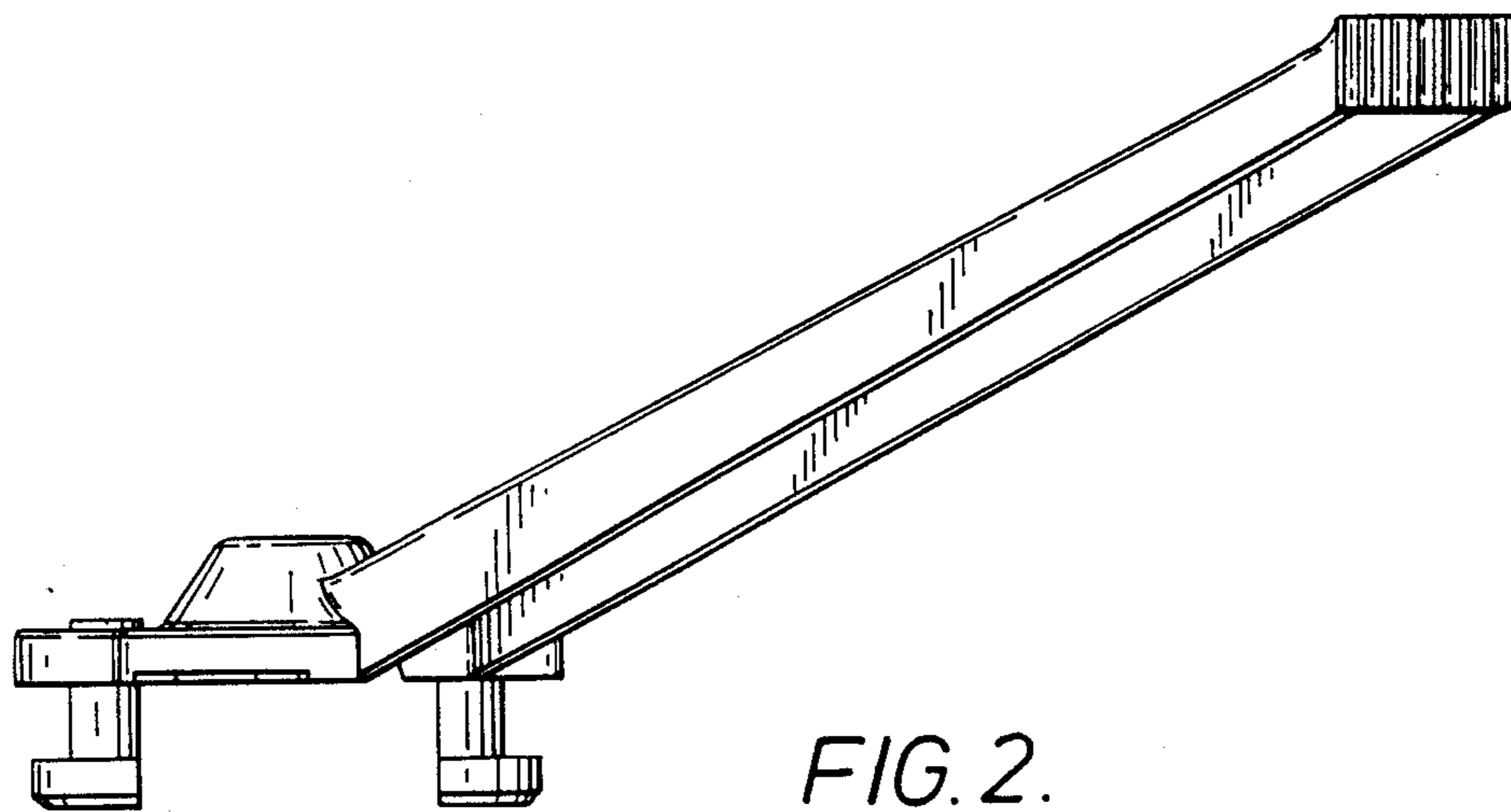
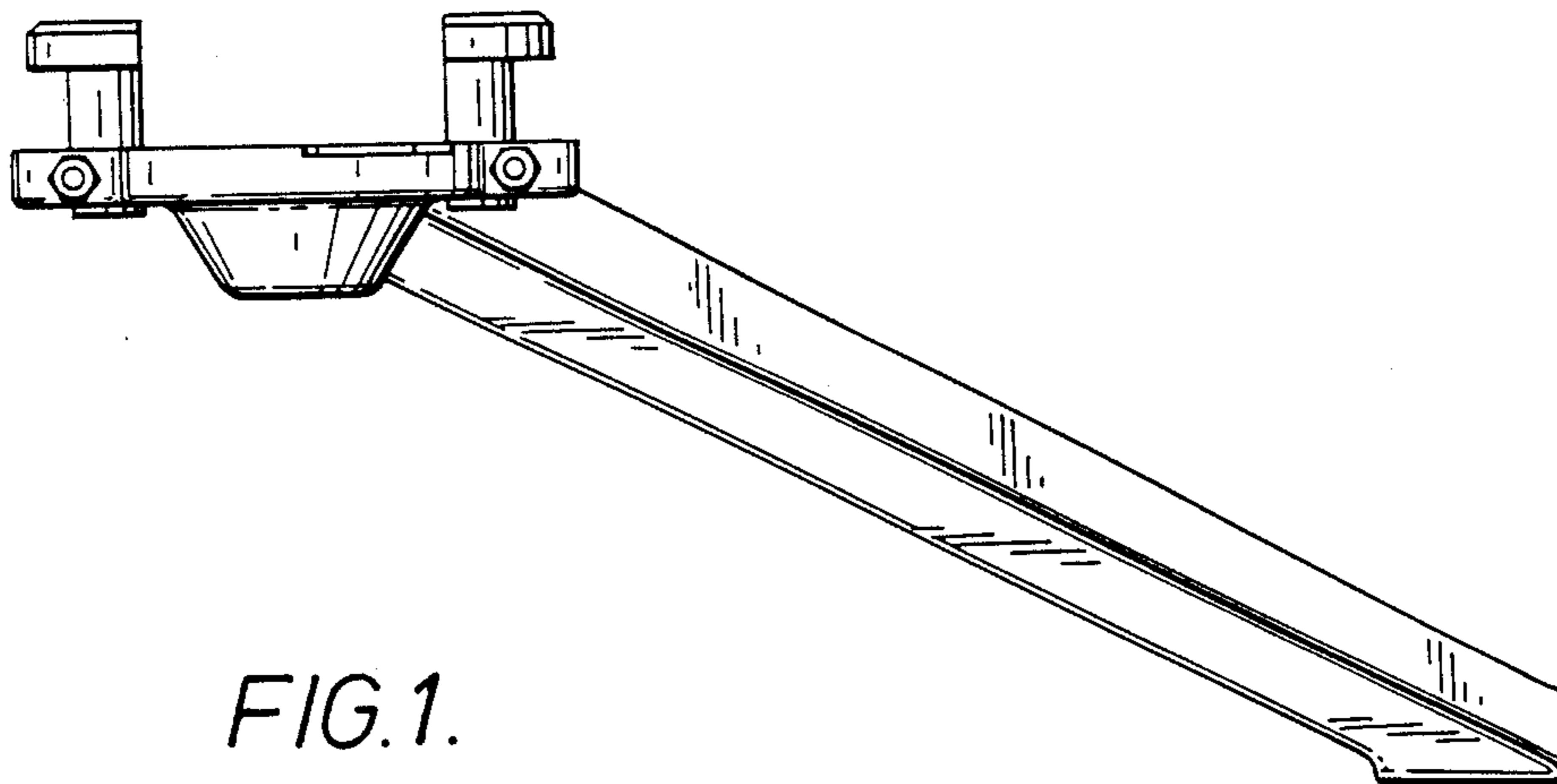
FIG. 3 is a front elevational view thereof;

FIG. 4 is a rear elevational view thereof;

FIG. 5 is an end elevational view thereof; and

FIG. 6 is a fragmentary end elevational view of the foot taken from the opposite side as shown in FIG. 5.





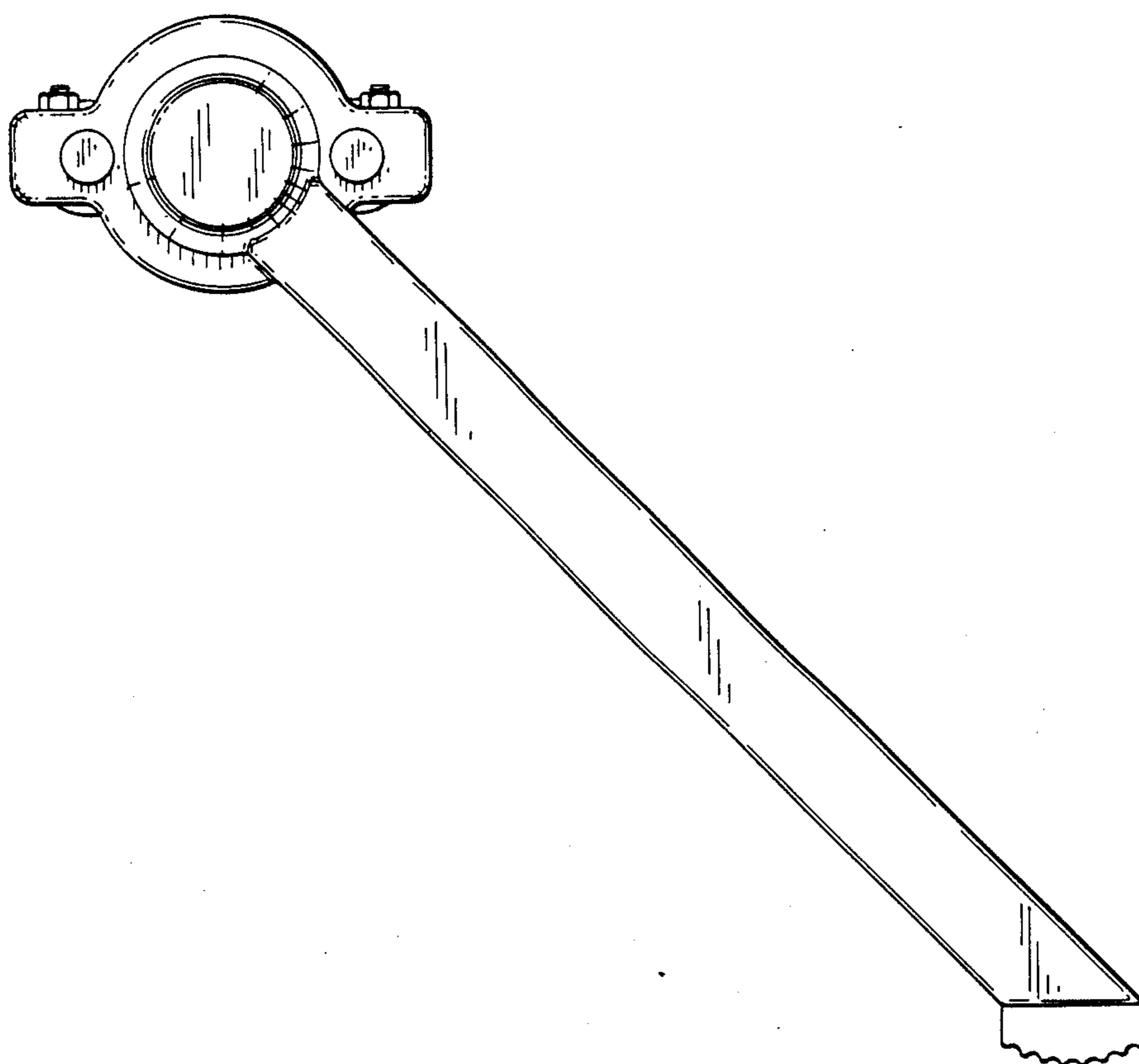


FIG. 3.

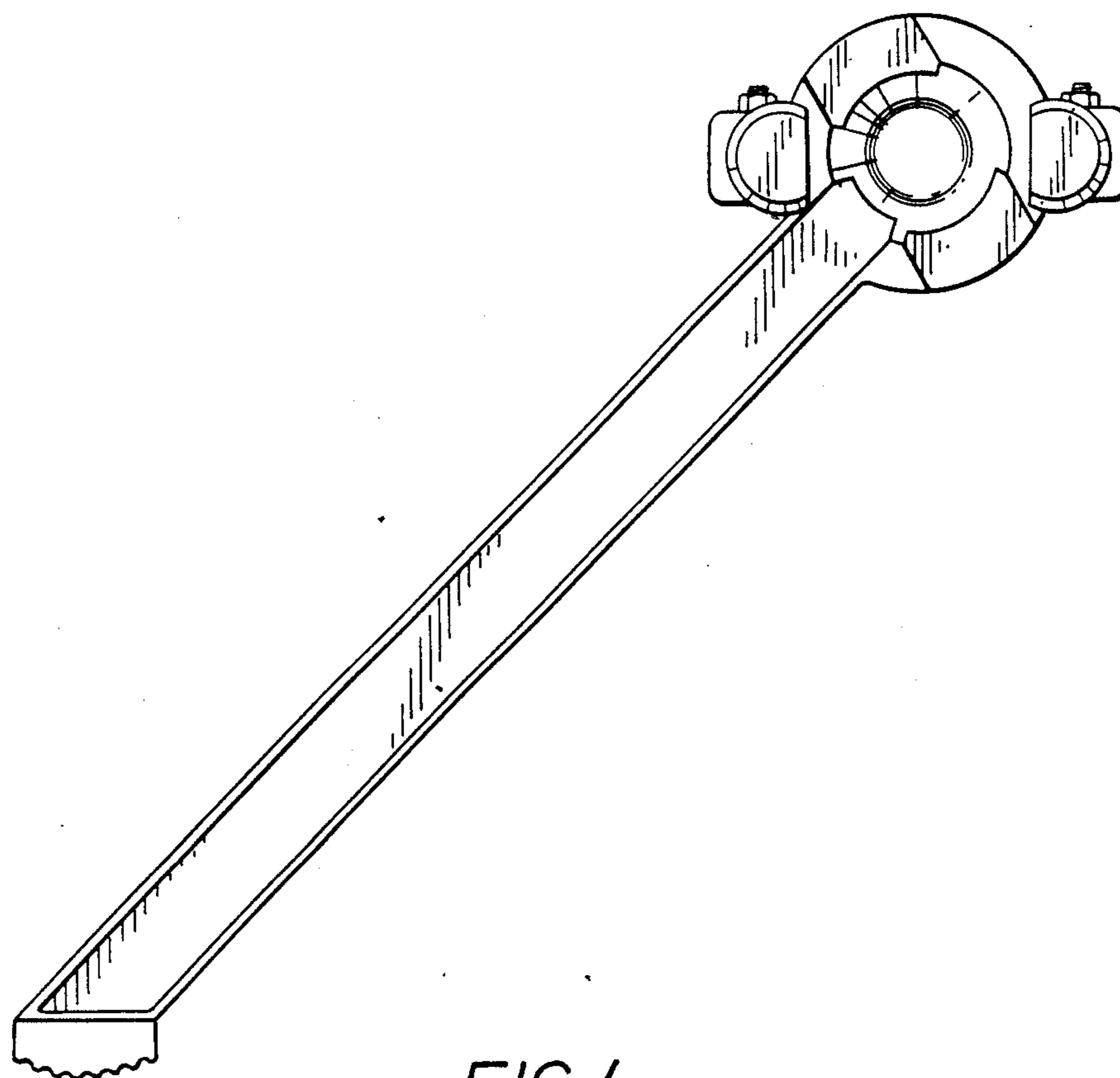


FIG. 4.

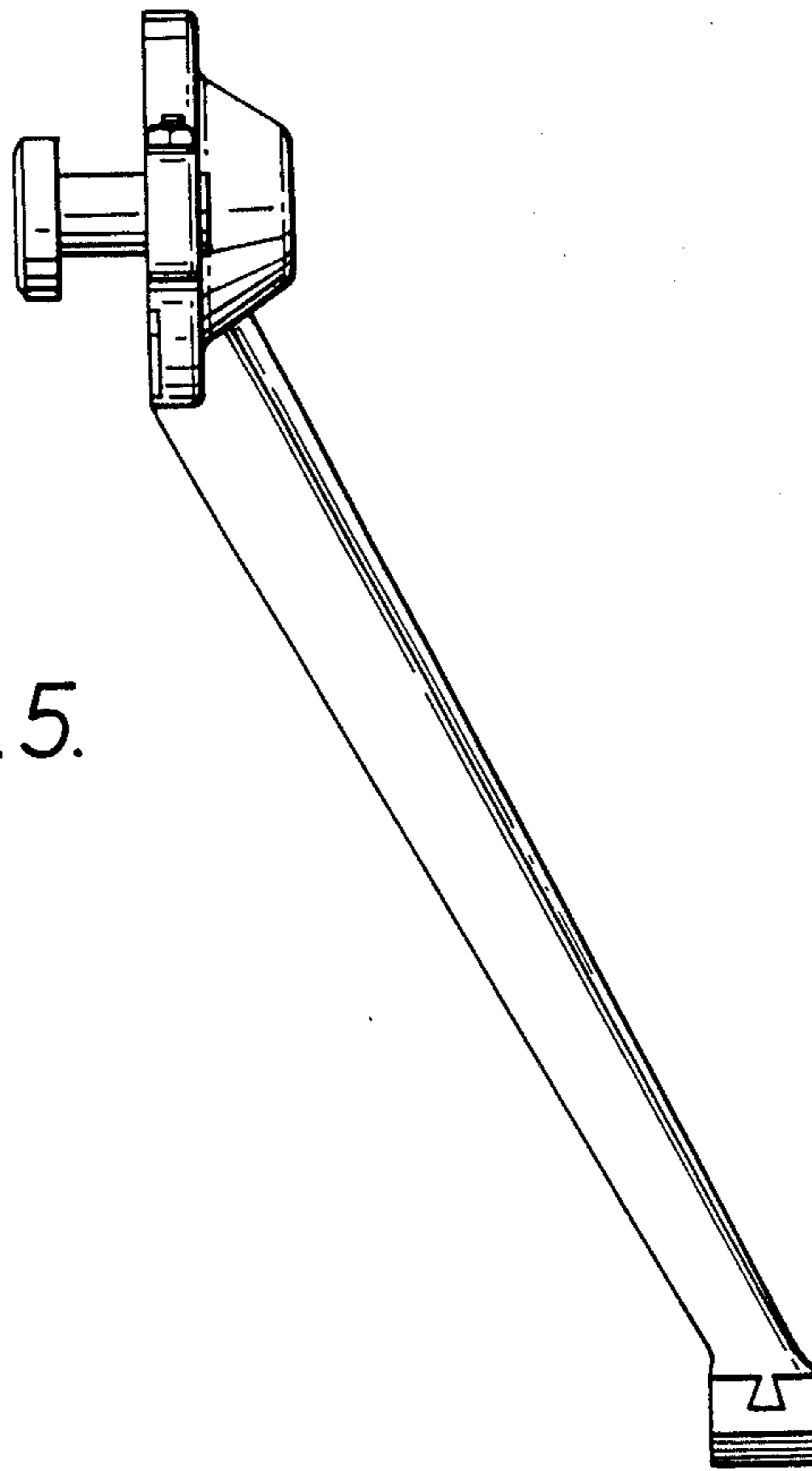


FIG. 5.

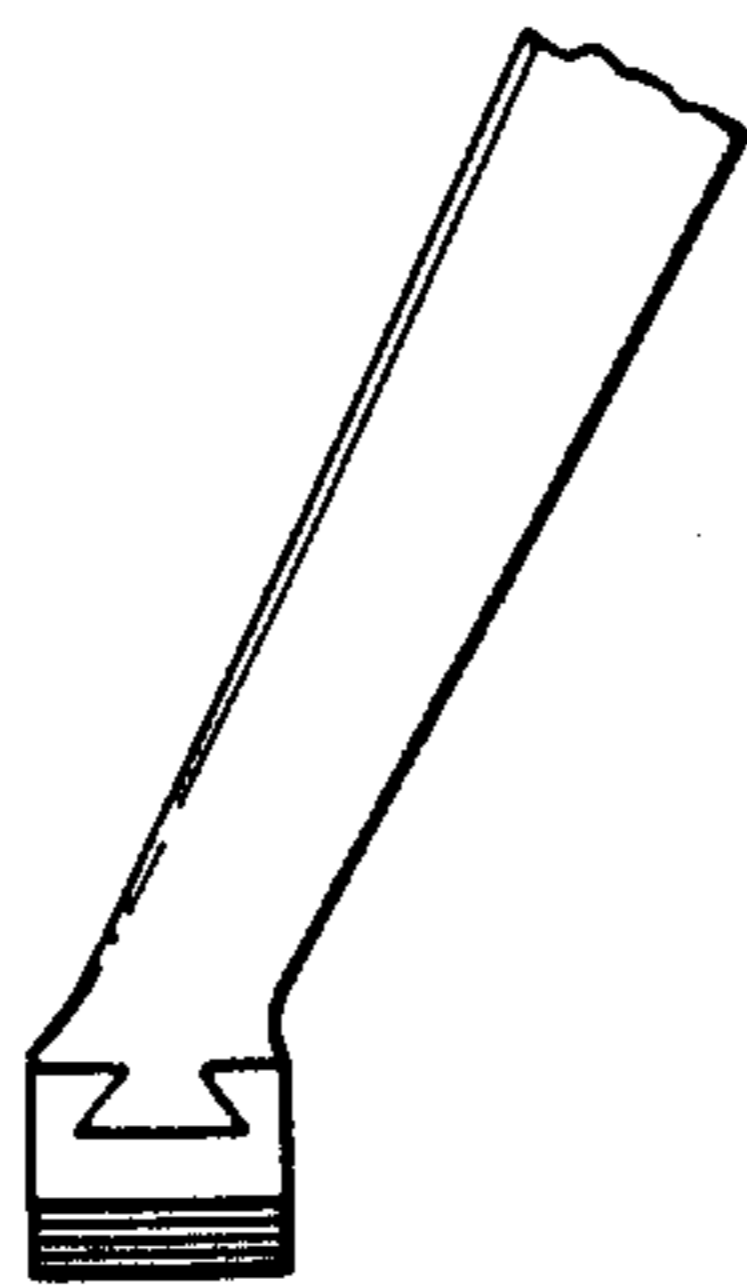


FIG. 6.

UNITED STATES PATENT AND TRADEMARK OFFICE
CERTIFICATE OF CORRECTION

PATENT NO. : Des. 309,026
DATED : July 3, 1990
INVENTOR(S) : David H.C. Harvey and Ian G. Menelaus

It is certified that error appears in the above-identified patent and that said Letters Patent is hereby corrected as shown below:

On the front page, after "[22] Filed: Nov. 19, 1987"
insert --[30] Foreign Application Priority Data
June 18, 1987 [GB] United Kingdom 1042941--.

Signed and Sealed this
Twenty-eighth Day of May, 1991

Attest:

HARRY F. MANBECK, JR.

Attesting Officer

Commissioner of Patents and Trademarks