

[54] MEDICAL BREATHING UNIT

[75] Inventor: Allan J. Beacham, Hants, United Kingdom

[73] Assignee: Virotherm Laboratories, Ltd., England

[\*\*] Term: 14 Years

[21] Appl. No.: 253,721

[22] Filed: Oct. 4, 1988

[30] Foreign Application Priority Data

Apr. 13, 1988 [GB] United Kingdom ..... 1049943  
[52] U.S. Cl. .... D24/62; D23/360; D29/7

[58] Field of Search ..... D23/356, 358, 359, 360, D23/363; D24/62, 34; D29/7; 128/200.11, 200.14, 200.18, 200.19, 200.21, 200.23, 200.15, 200.16, 200.17; 219/271, 275, 276, 362

[56] References Cited

U.S. PATENT DOCUMENTS

- D. 188,301 1/1960 Doak ..... D29/7
- D. 191,733 11/1961 Schmahl ..... D24/62
- D. 198,487 6/1964 Ferris ..... D29/7
- D. 206,640 1/1967 Mitchell ..... D24/62

- D. 210,435 3/1968 Boldt ..... D23/360
- D. 212,284 9/1968 Mitchell ..... D23/362
- D. 234,376 2/1975 Goettelman ..... D24/62
- D. 260,933 9/1981 Reichl ..... D23/360
- 3,152,240 10/1964 Scott ..... 219/271
- 3,949,743 4/1976 Shanbrom ..... D23/360

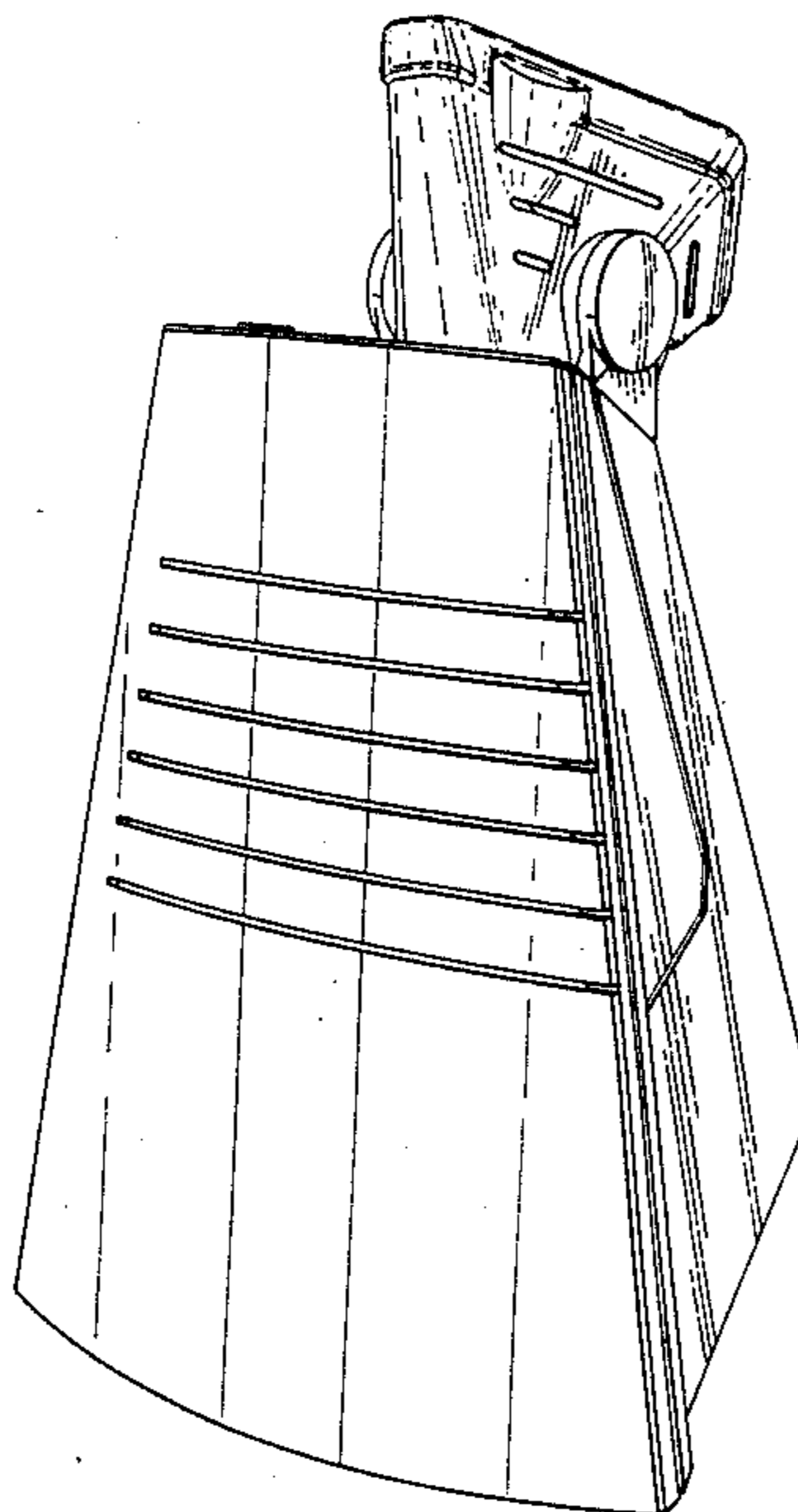
Primary Examiner—James M. Gandy  
Assistant Examiner—Lisa Lichtenstein  
Attorney, Agent, or Firm—Davis, Bujold & Streck

[57] CLAIM

The ornamental design for a medical breathing unit, as shown.

DESCRIPTION

FIG. 1 is a front, right, top perspective view of a medical breathing unit showing my new design;  
FIG. 2 is a rear, left, top perspective view thereof;  
FIG. 3 is a front elevational view thereof on a reduced scale;  
FIG. 4 is a right side elevational view thereof on a reduced scale;  
FIG. 5 is a left side elevational view thereof on a reduced scale;  
FIG. 6 is a rear elevational view thereof on a reduced scale;  
FIG. 7 is a top plan view thereof on a reduced scale; and  
FIG. 8 is a bottom plan view thereof on a reduced scale.



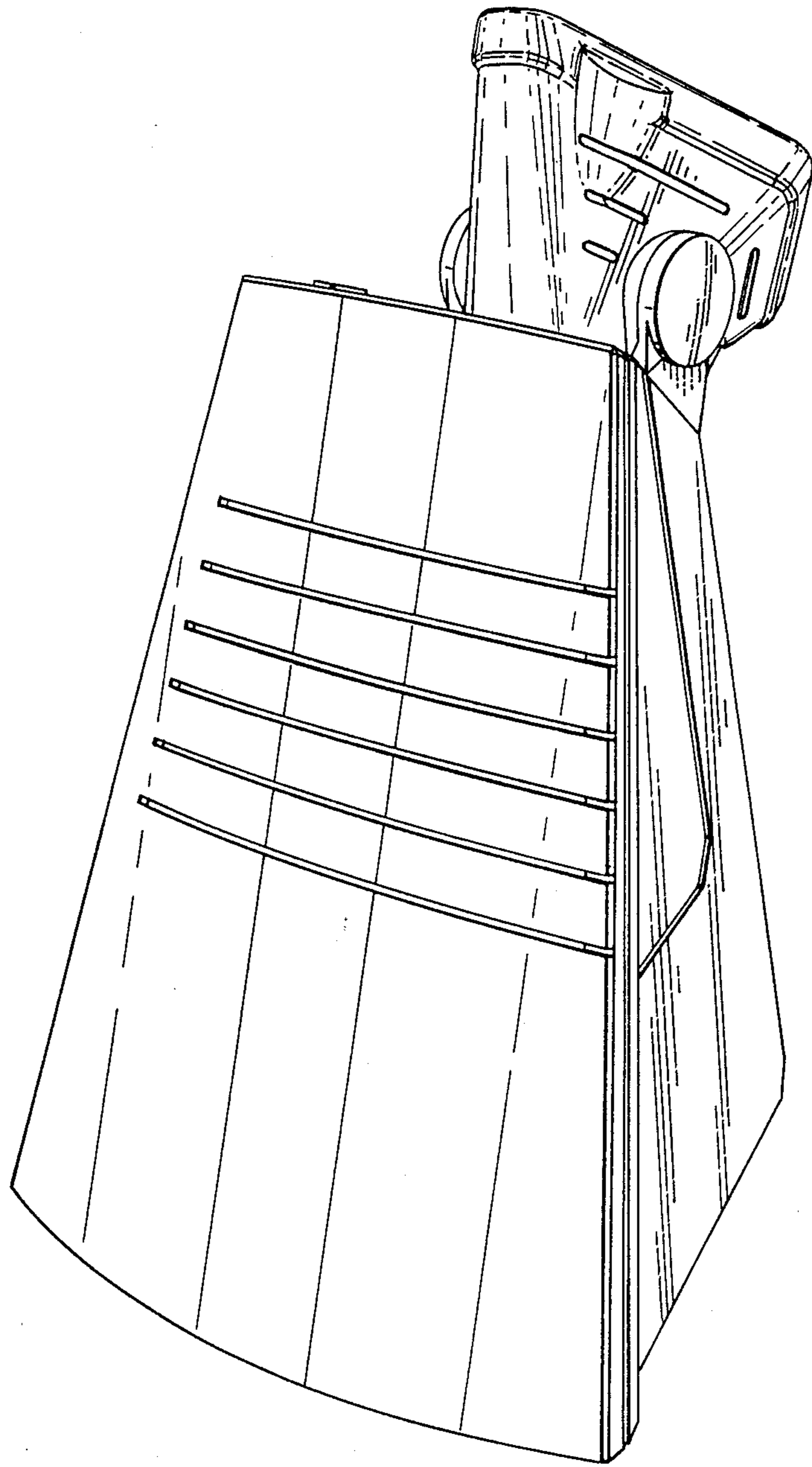


FIG. 1

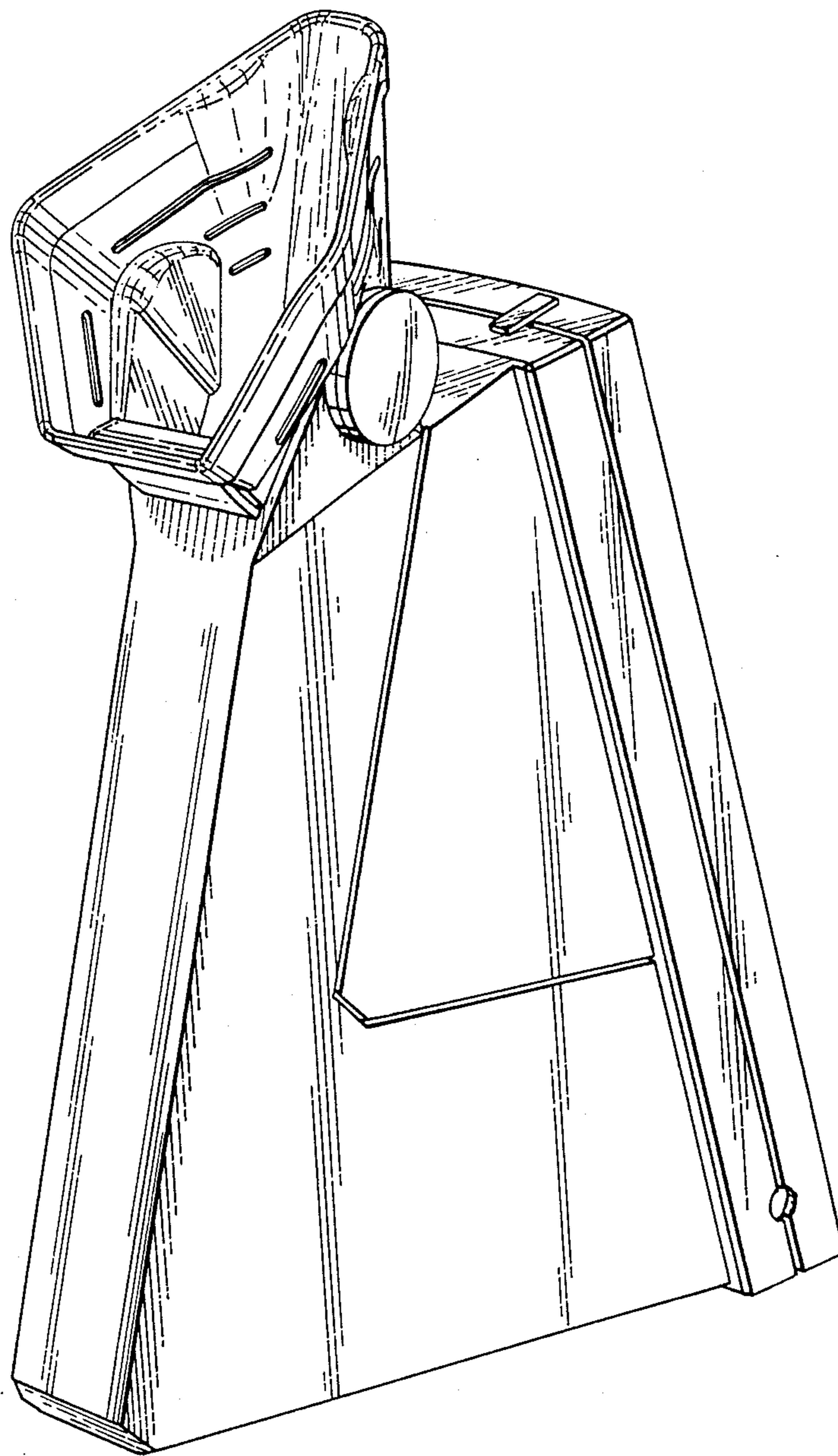


FIG. 2

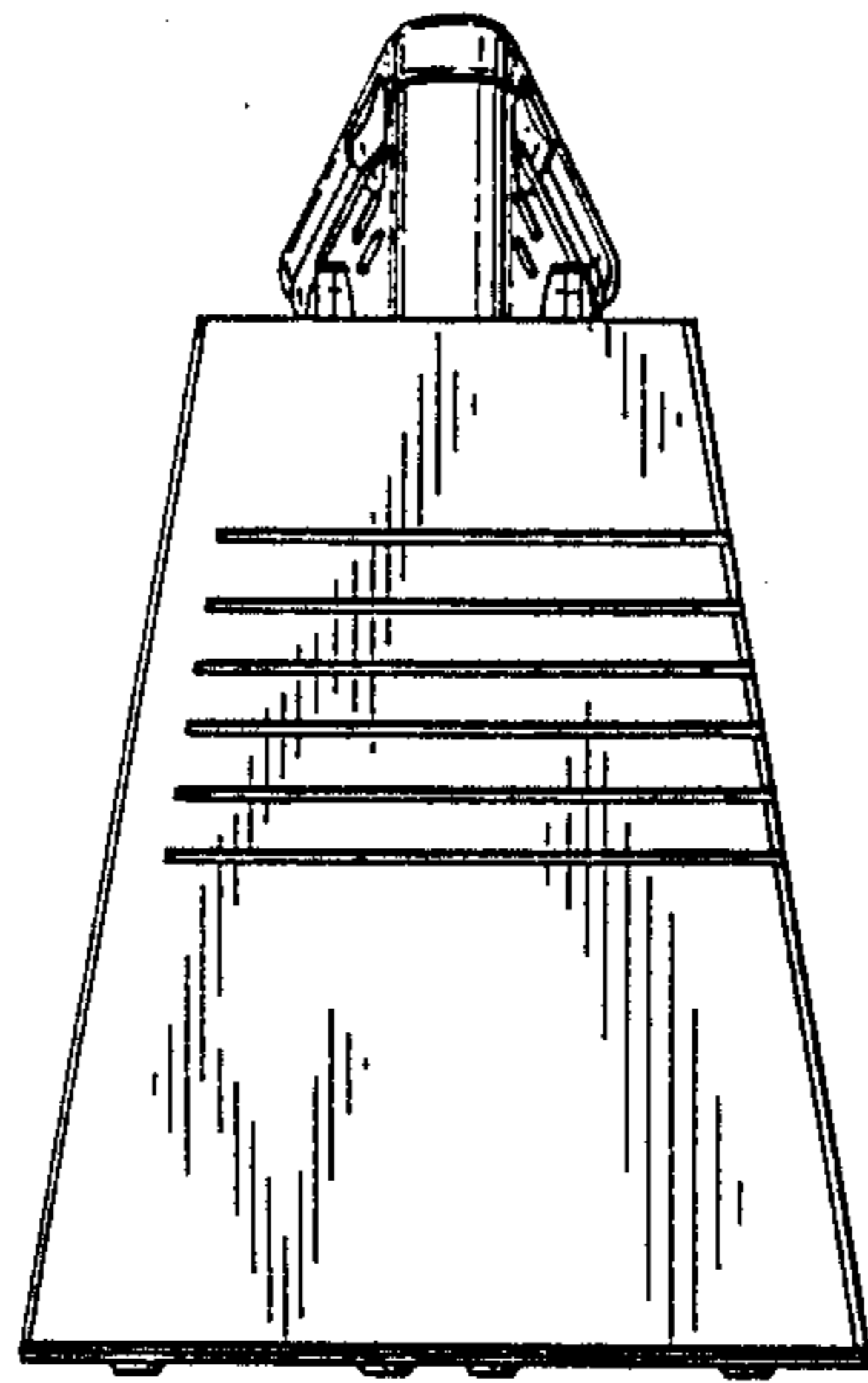


FIG. 3

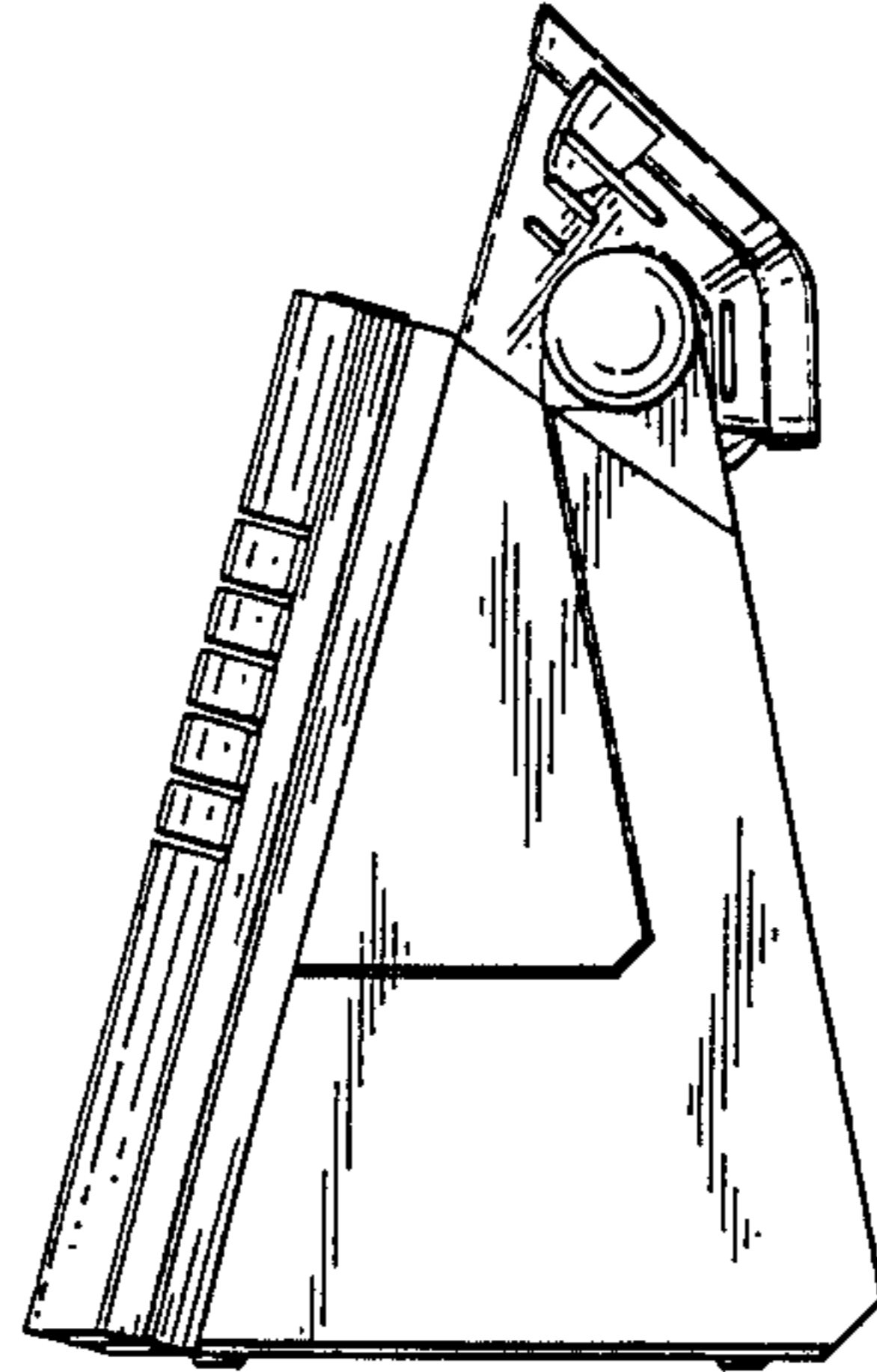


FIG. 4

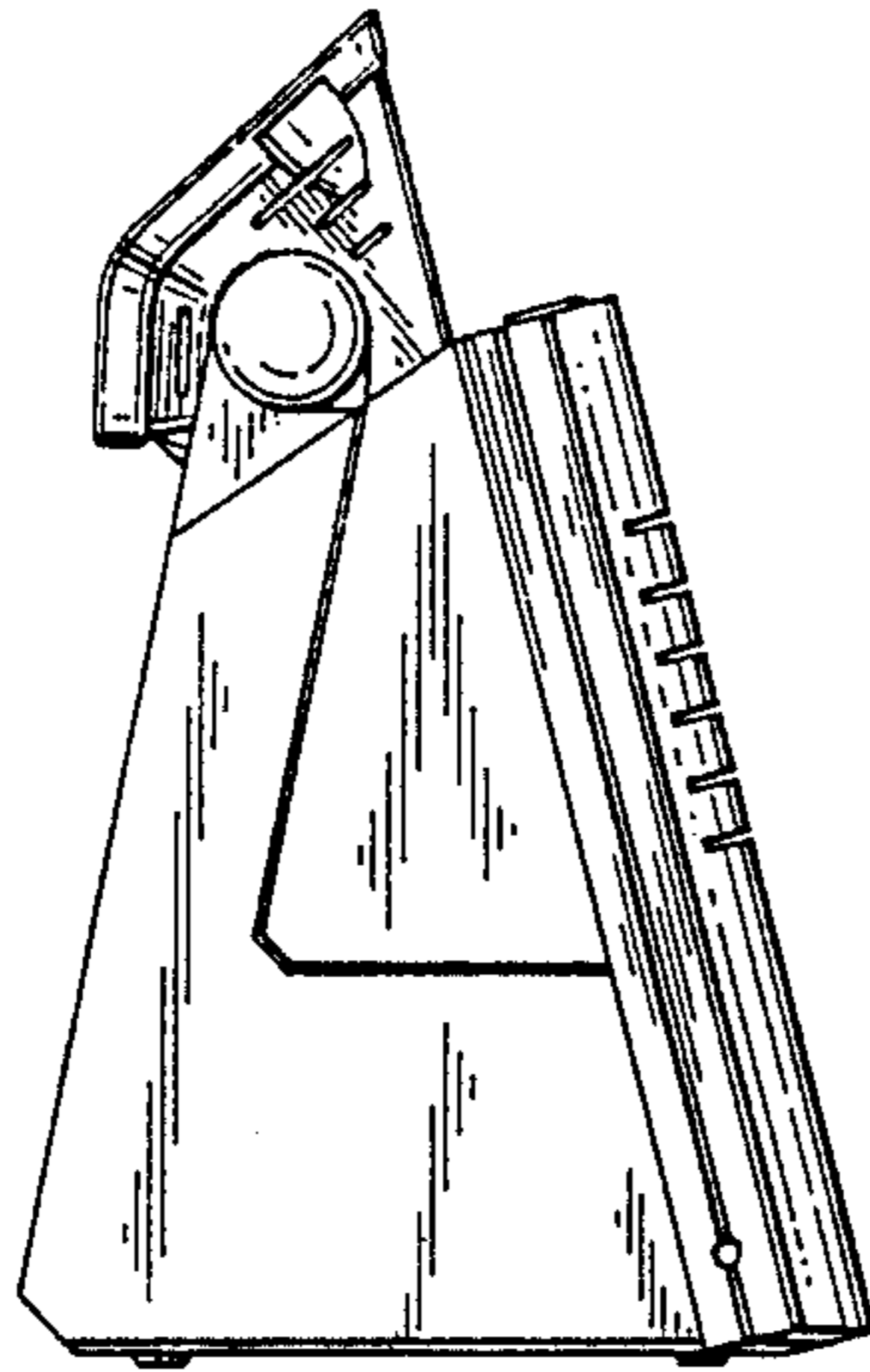


FIG. 5

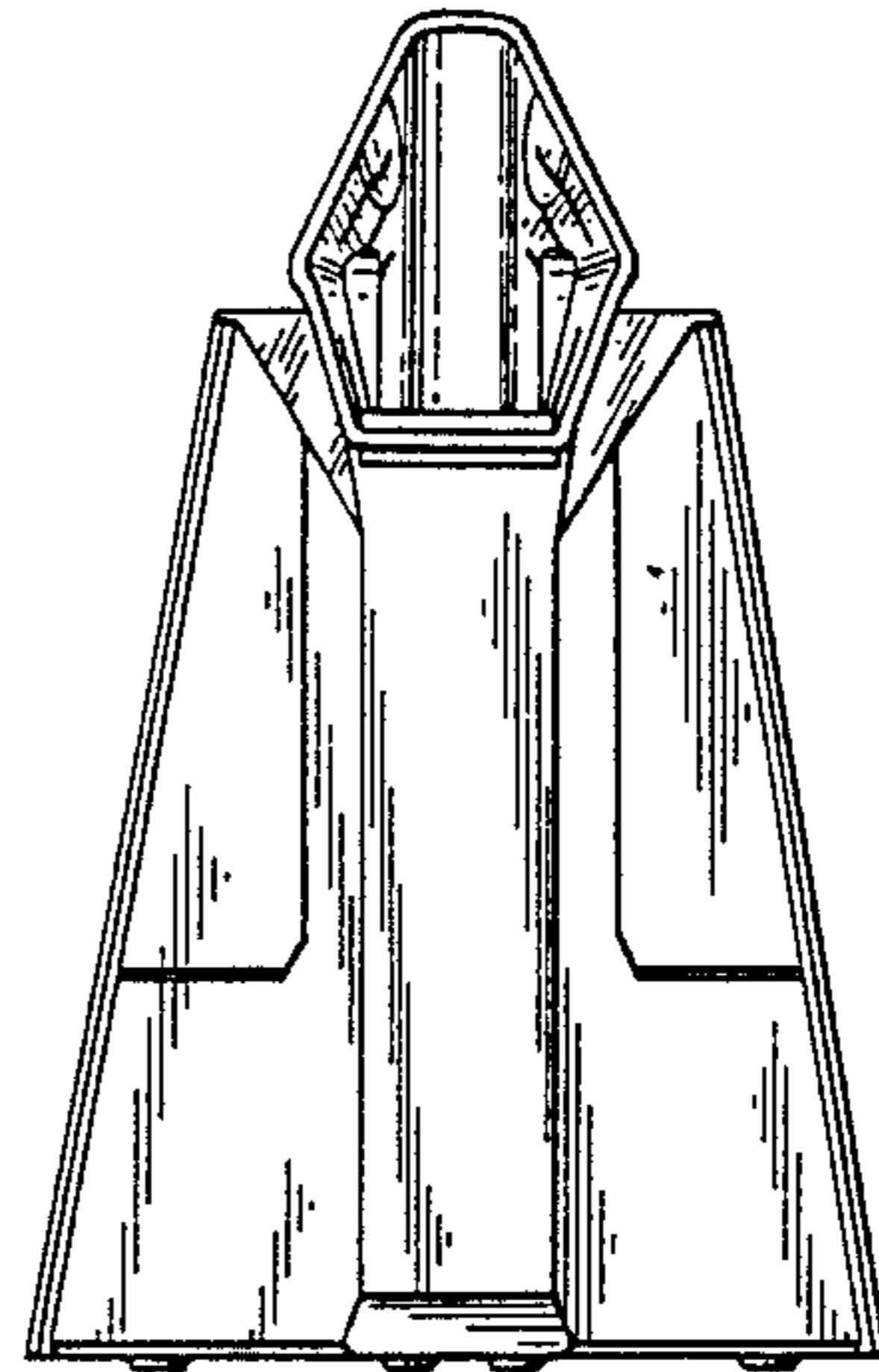


FIG. 6

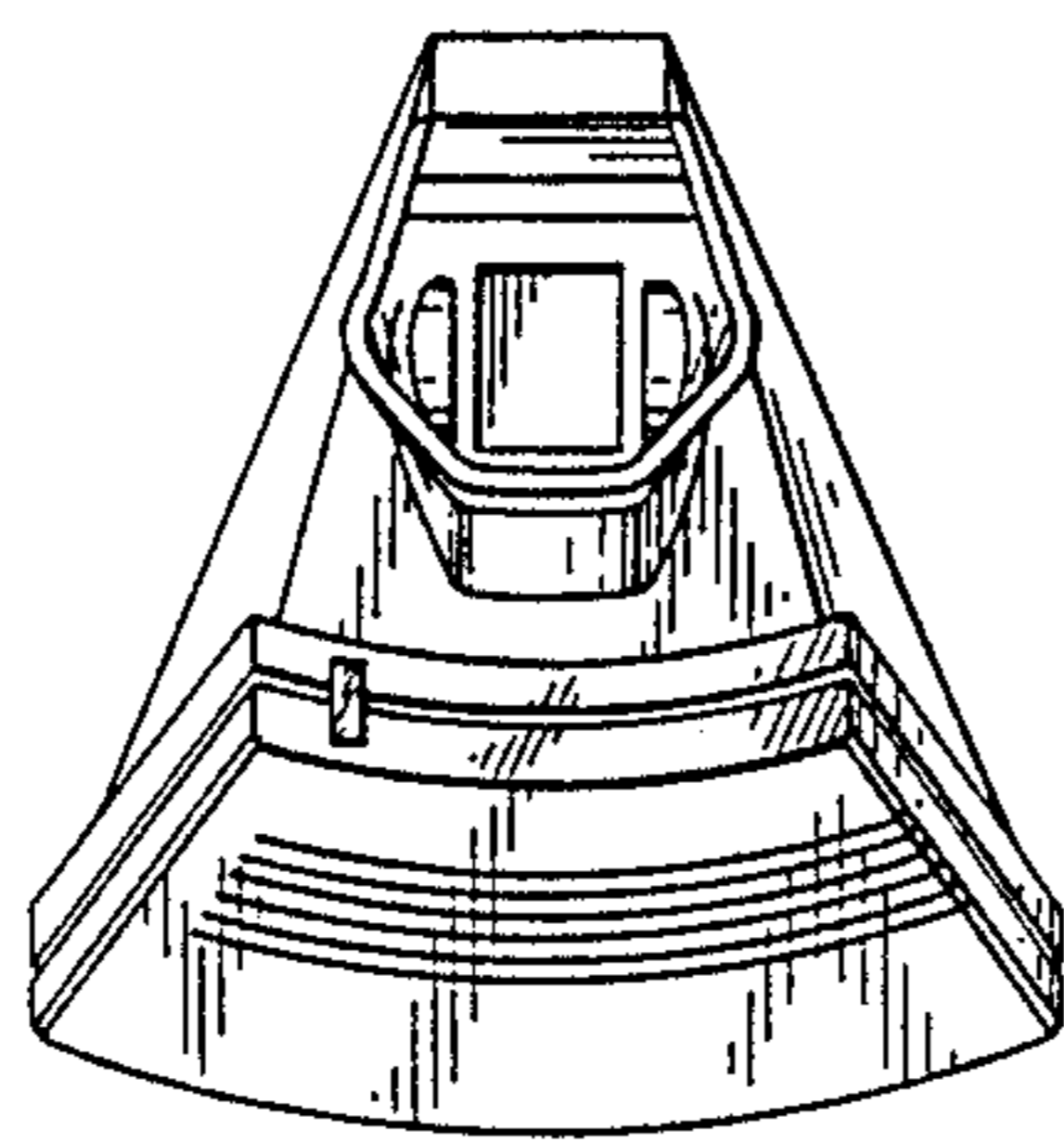


FIG. 7

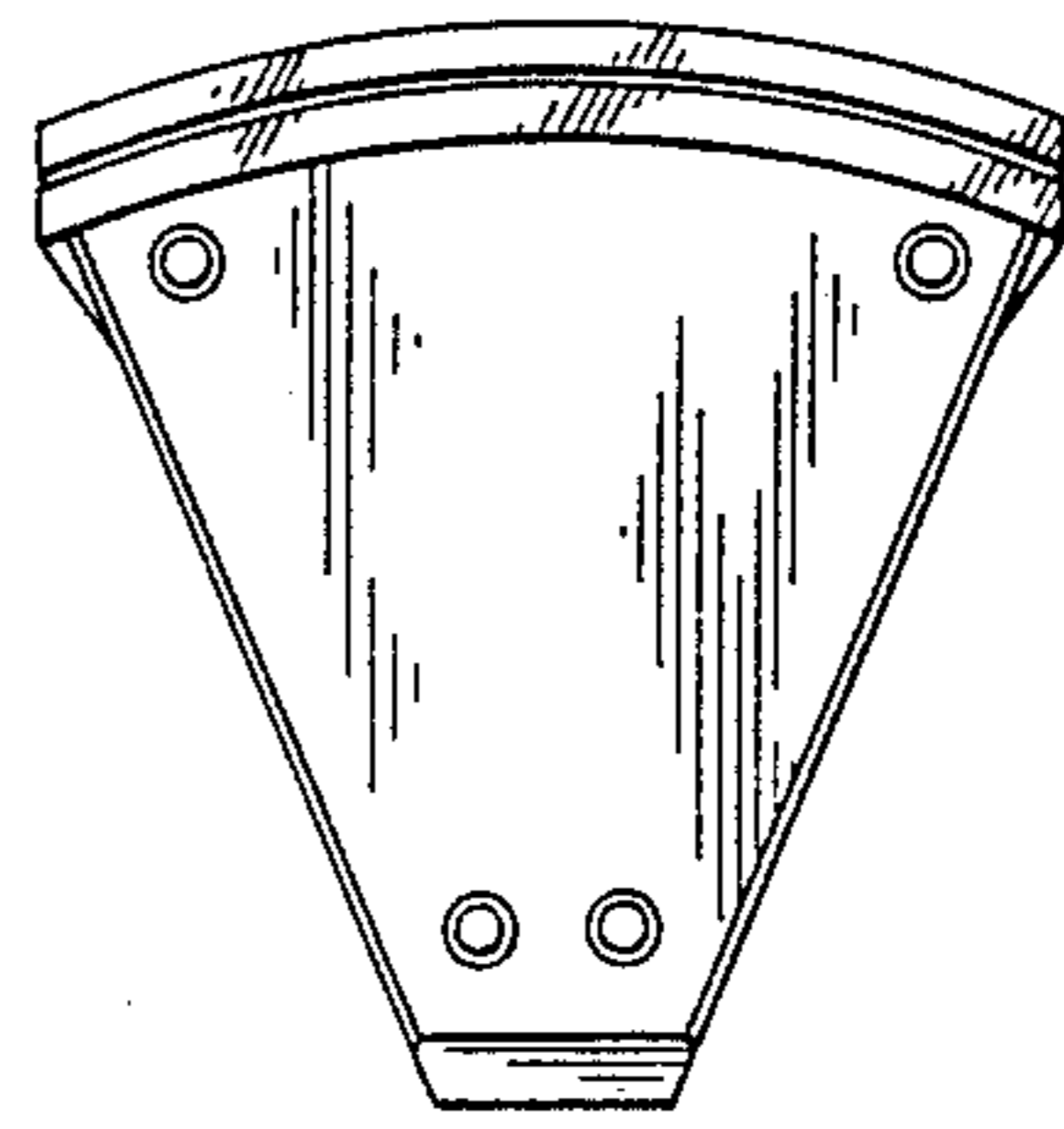


FIG. 8