

[54] PROTECTIVE COVER FOR TRACHEOTOMY TUBE

[76] Inventor: Katherine K. Beevers, 11075 Montana Ave., Boise, Id. 83704

[**] Term: 14 Years

[21] Appl. No.: 72,991

[22] Filed: Jul. 13, 1987

[52] U.S. Cl. D24/51

[58] Field of Search D24/29, 49, 51, 53; 128/200.26, 207.14, 207.16; 604/327

[56] References Cited

U.S. PATENT DOCUMENTS

- 2,491,647 12/1949 Colavita 128/207.14
- 3,330,271 7/1967 Hozier 128/205.29

4,598,705 7/1986 Lichtenberger 128/200.26

Primary Examiner—James R. Largen

Assistant Examiner—Stella M. Reid

Attorney, Agent, or Firm—Frank J. Dykas; Craig M. Korfanta

[57] CLAIM

The ornamental design for a protective cover for tracheotomy tube, as shown and described.

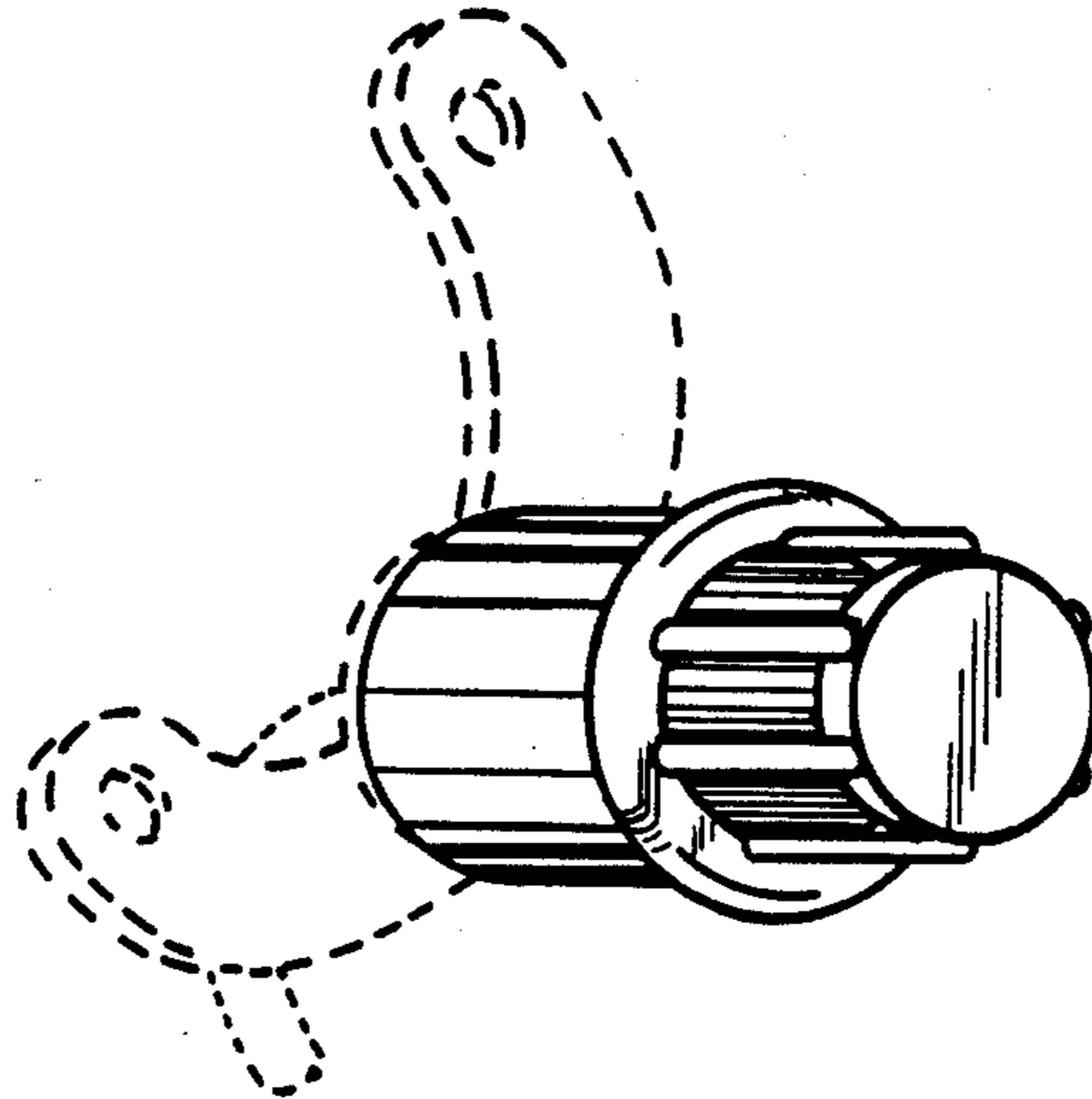
DESCRIPTION

FIG. 1 is a perspective view of a protective cover for tracheotomy tube, showing my new design, the broken line showing is for illustrative purposes only and forms no part of the claimed design;

FIG. 2 is a side elevational view thereof;

FIG. 3 is a bottom plan view thereof; and

FIG. 4 is a top plan view thereof.



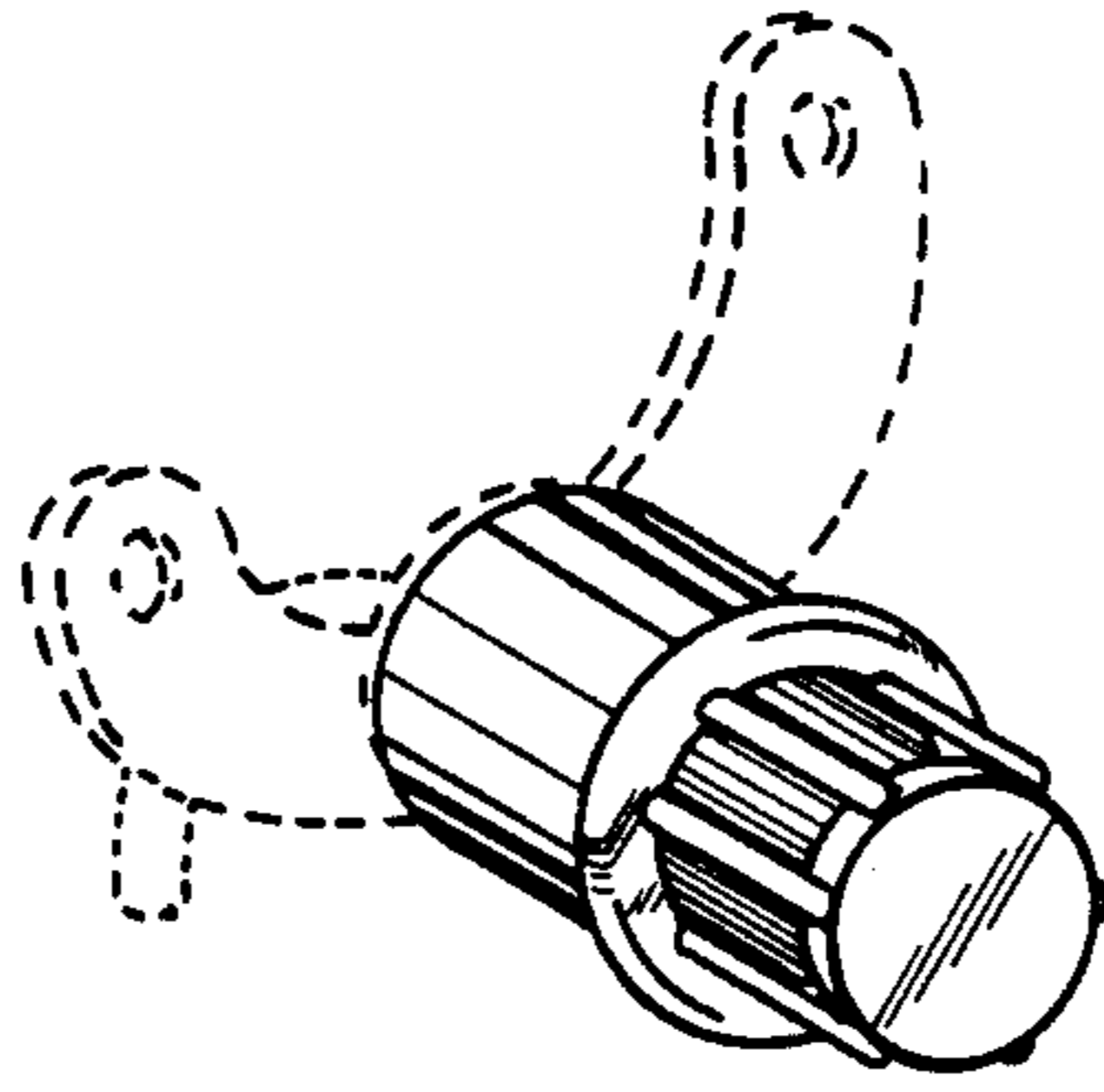


FIG. 1

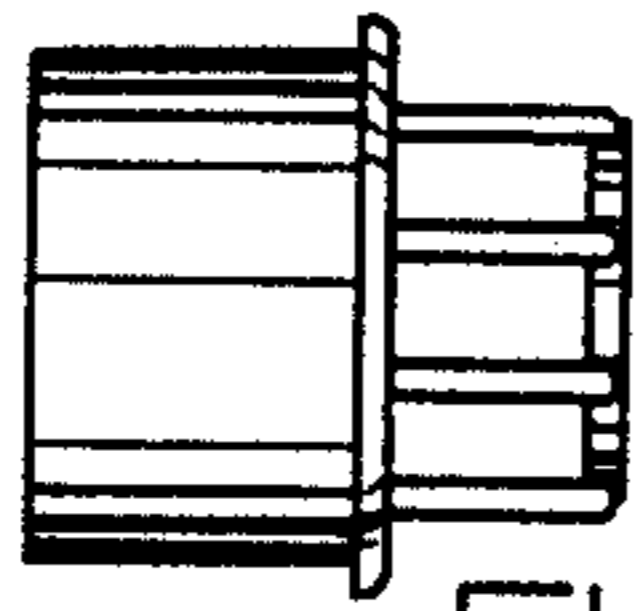


FIG. 2

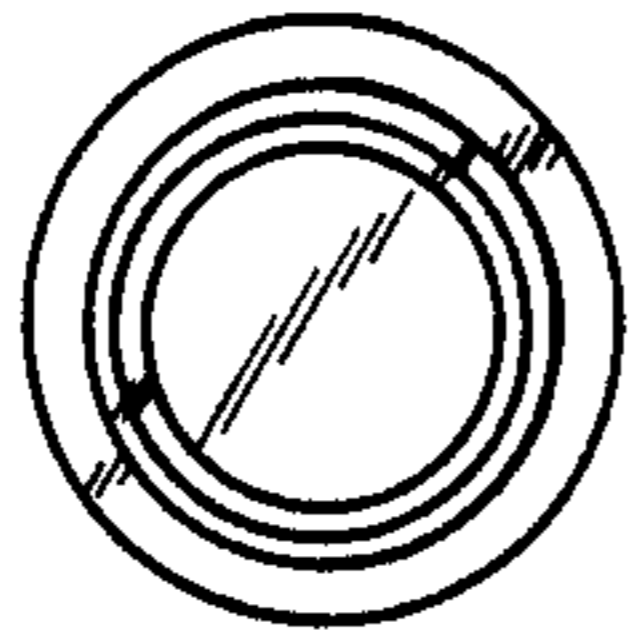


FIG. 3

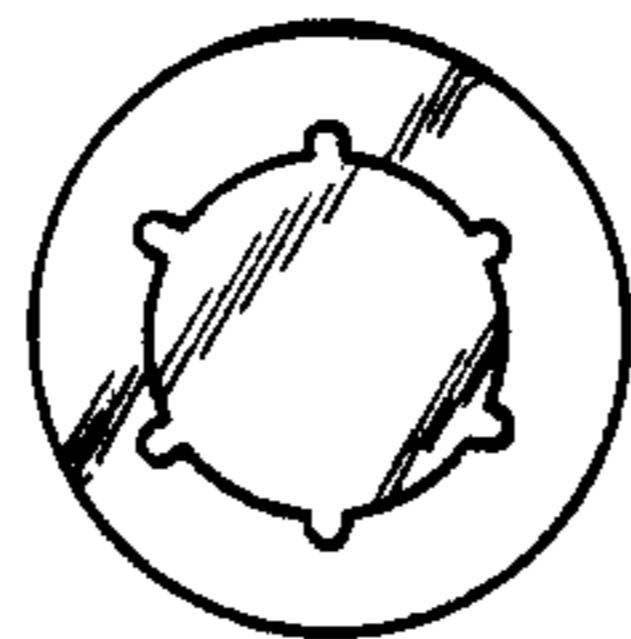


FIG. 4