

[54] FLUID CARTRIDGE FOR HOLDING REAGENTS IN AN AUTOMATED CLINICAL CHEMISTRY ANALYZER

D. 287,638 1/1987 Moore et al. D24/56
D. 290,400 6/1987 Tong D24/29
D. 291,730 9/1987 Kelln et al. D24/29
4,387,164 6/1983 Hevey et al. D24/29 X

[75] Inventors: Harold F. Fechtner, Claremont; Bobby L. Hobbs, Ontario, both of Calif.

Primary Examiner—A. Hugo Word
Assistant Examiner—Stella M. Reid
Attorney, Agent, or Firm—William H. May; Arnold Grant; Gary T. Hampson

[73] Assignee: Beckman Instruments, Inc., Fullerton, Calif.

[57] CLAIM

[**] Term: 14 Years

The ornamental design for a fluid cartridge for holding reagents in an automated clinical chemistry analyzer, as shown.

[21] Appl. No.: 73,119

[22] Filed: Jul. 10, 1987

DESCRIPTION

[52] U.S. Cl. D24/29

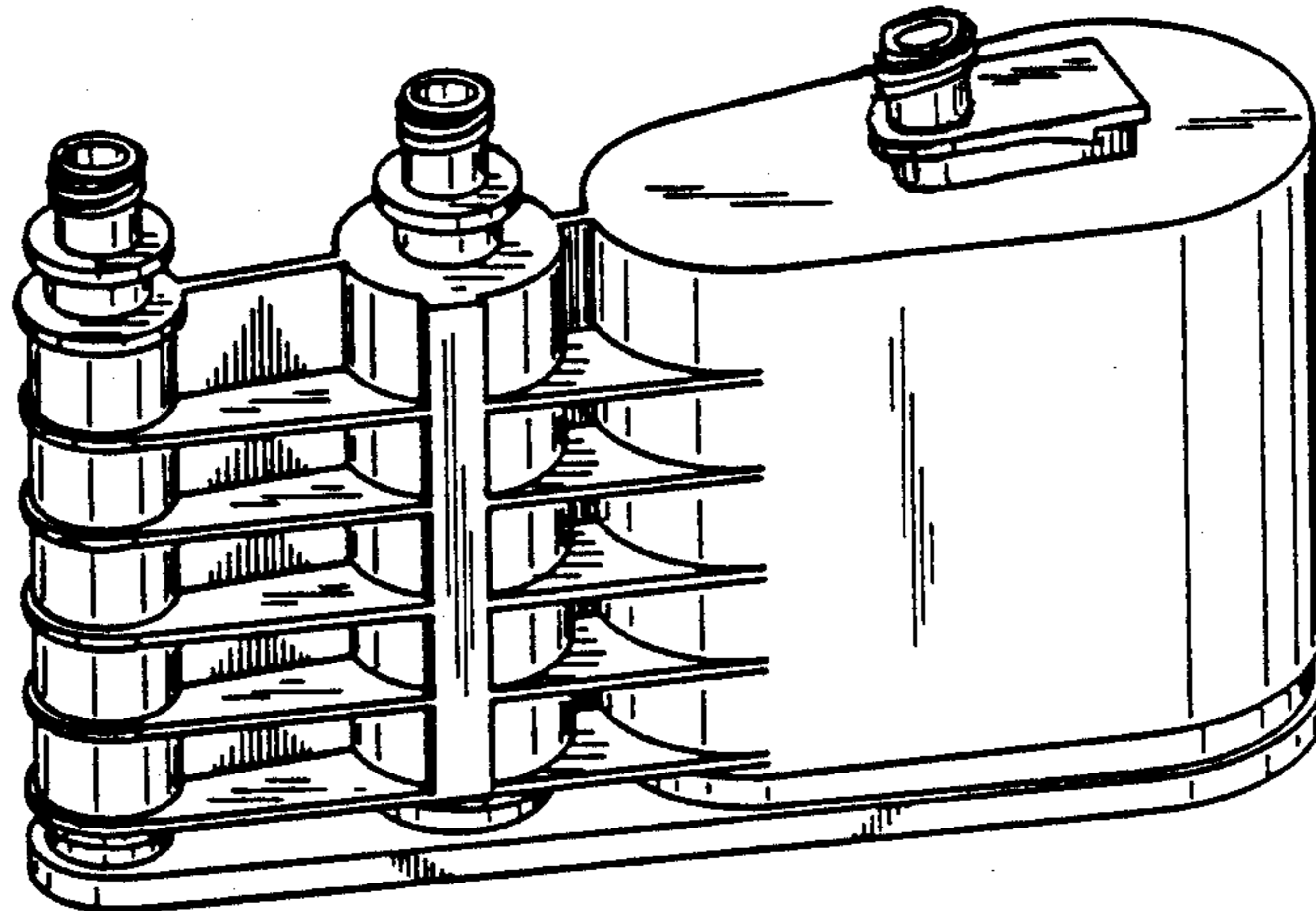
[58] Field of Search D24/8, 1.1, 29, 17; 422/102, 101, 104, 72, 73, 63; 436/165, 166, 45; 356/246, 244; D9/347, 394

FIG. 1 is a top, right, front perspective view of a fluid cartridge for holding reagents in an automated clinical chemistry analyzer, showing our new design; FIG. 2 is a right side elevational view thereof; FIG. 3 is a top plan view thereof; FIG. 4 is a front elevational view thereof; and FIG. 5 is a rear elevational view thereof; and FIG. 6 is a bottom plan view thereof.

[56] References Cited

U.S. PATENT DOCUMENTS

D. 286,912 11/1986 Andersen D24/56



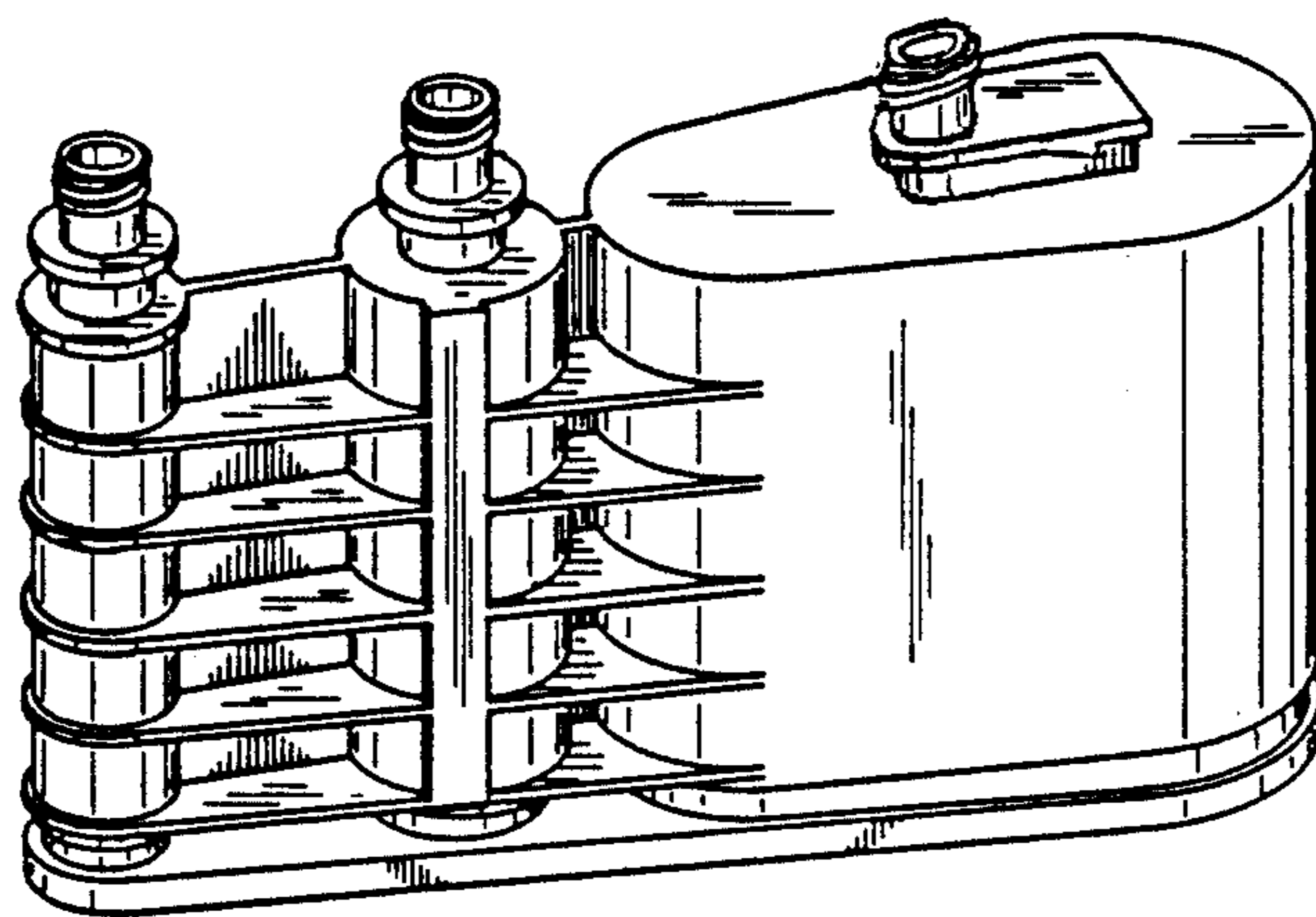


FIG. 1

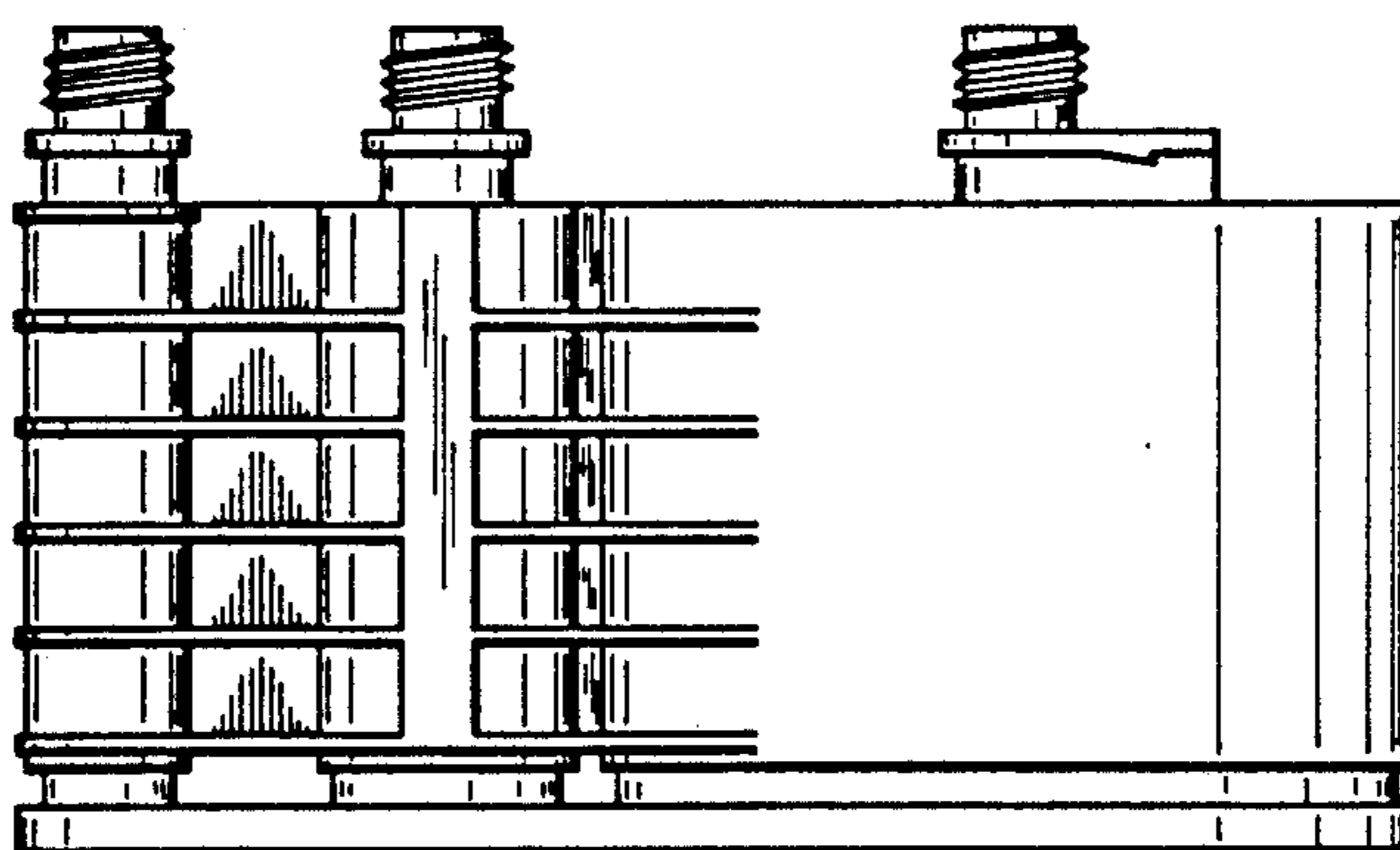


FIG. 2

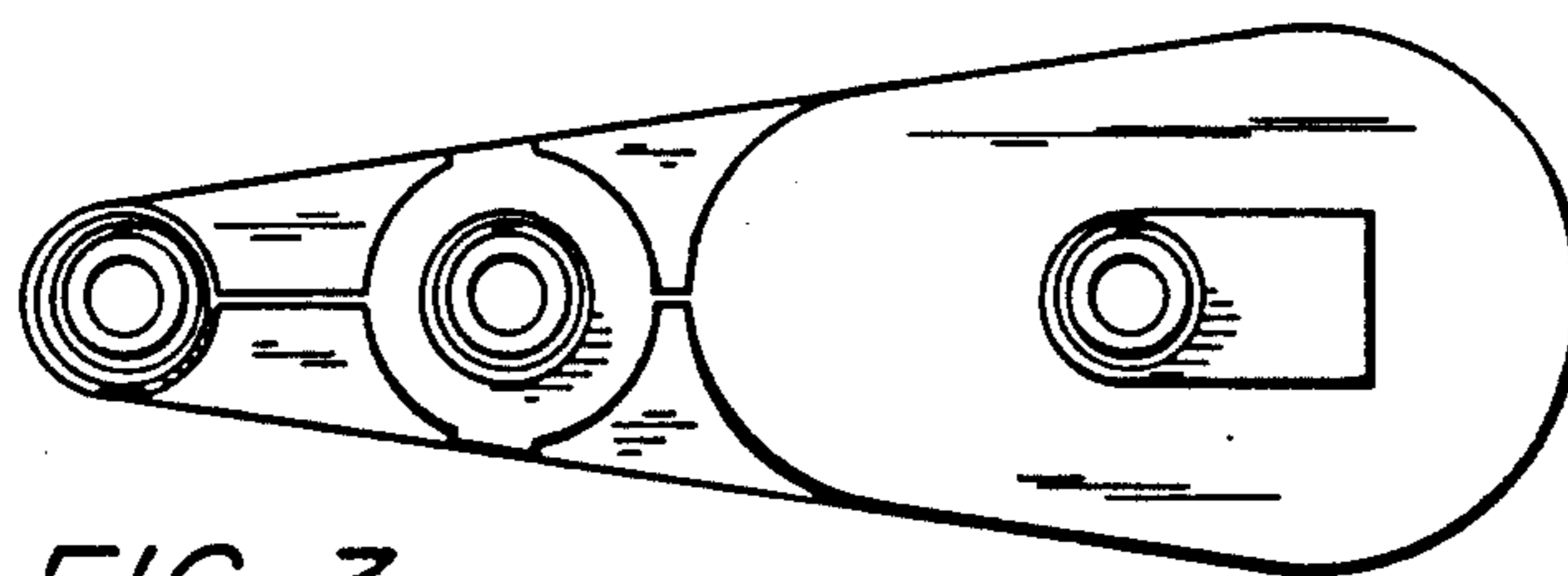


FIG. 3

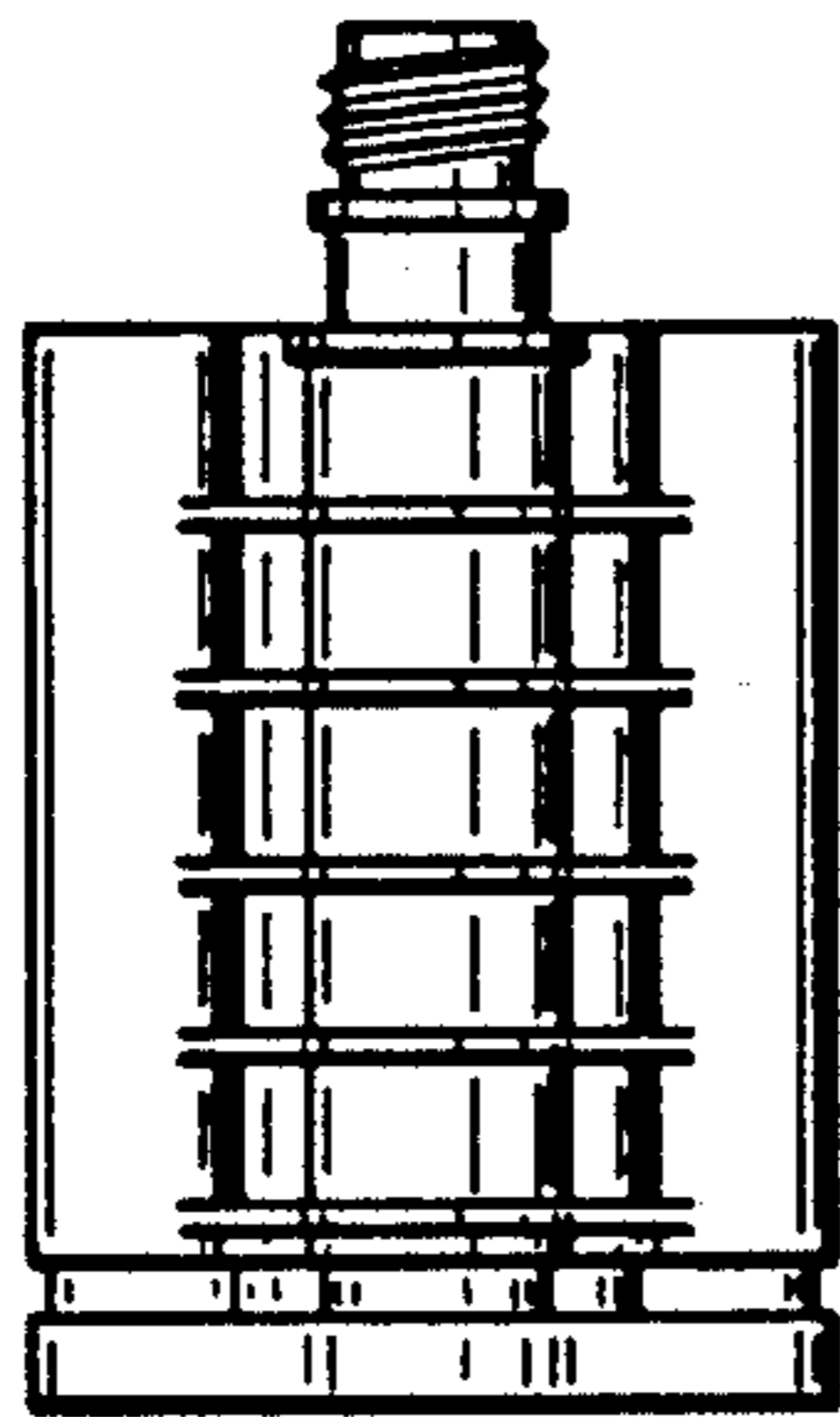


FIG. 4

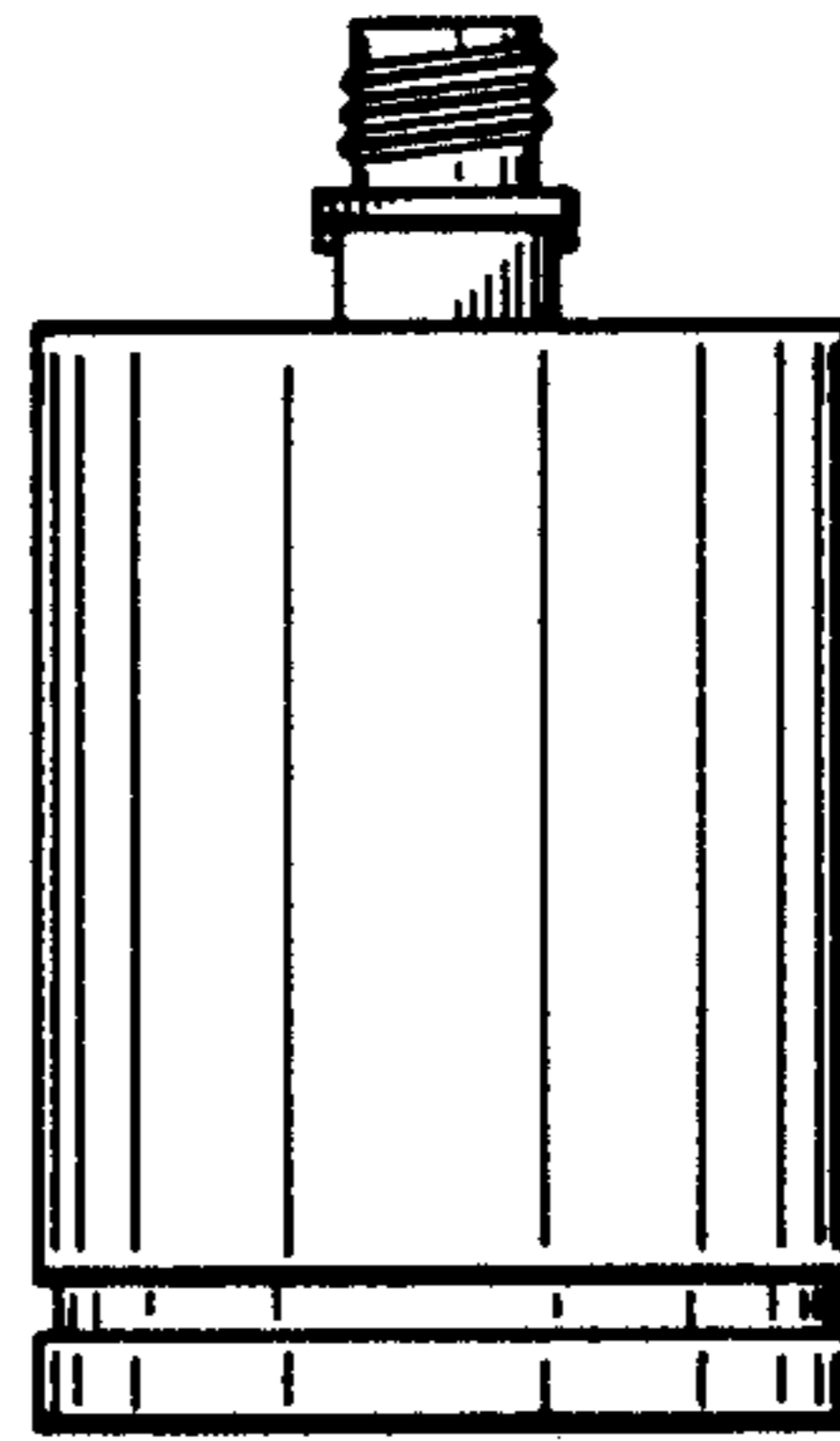


FIG. 5

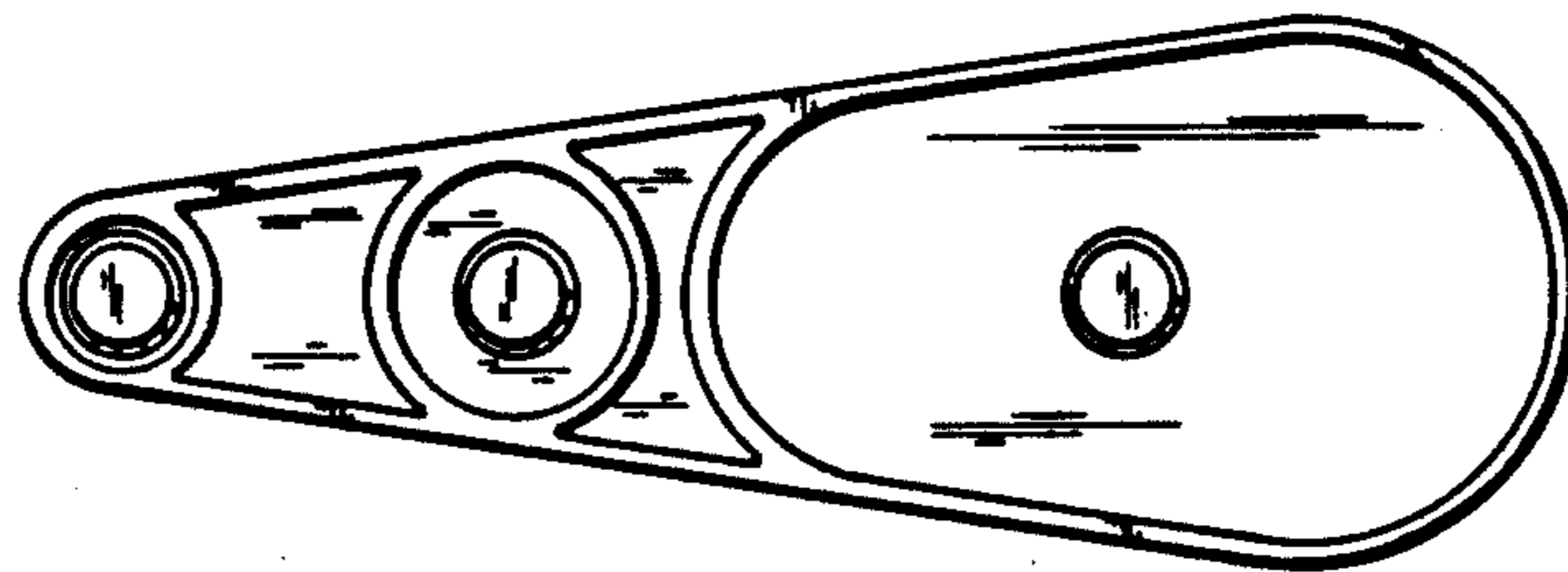


FIG. 6