

United States Patent [19]

Akerfeldt

[11] Patent Number: **Des. 309,014**

[45] Date of Patent: **** Jul. 3, 1990**

[54] **NEEDLE HEAD FOR BIOPSY STYLET**

[75] Inventor: **Dan Akerfeldt, Uppsala, Sweden**

[73] Assignee: **C. R. Bard, Inc., Murray Hill, N.J.**

[**] Term: **14 Years**

[21] Appl. No.: **400,745**

[22] Filed: **Aug. 30, 1989**

3,175,554 3/1965 Stewart 128/754
4,609,370 9/1986 Morrison 128/754 X
4,685,904 8/1987 Krebs 128/754 X

Primary Examiner—A. Hugo Word
Assistant Examiner—Stella M. Reid
Attorney, Agent, or Firm—Jones, Askew & Lunsford

Related U.S. Application Data

[62] Division of Ser. No. 28,322, Mar. 20, 1987.

[52] U.S. Cl. **D24/25**

[58] Field of Search D24/24, 25; 128/754,
128/751

References Cited

U.S. PATENT DOCUMENTS

1,867,624 7/1932 Hoffman 128/754

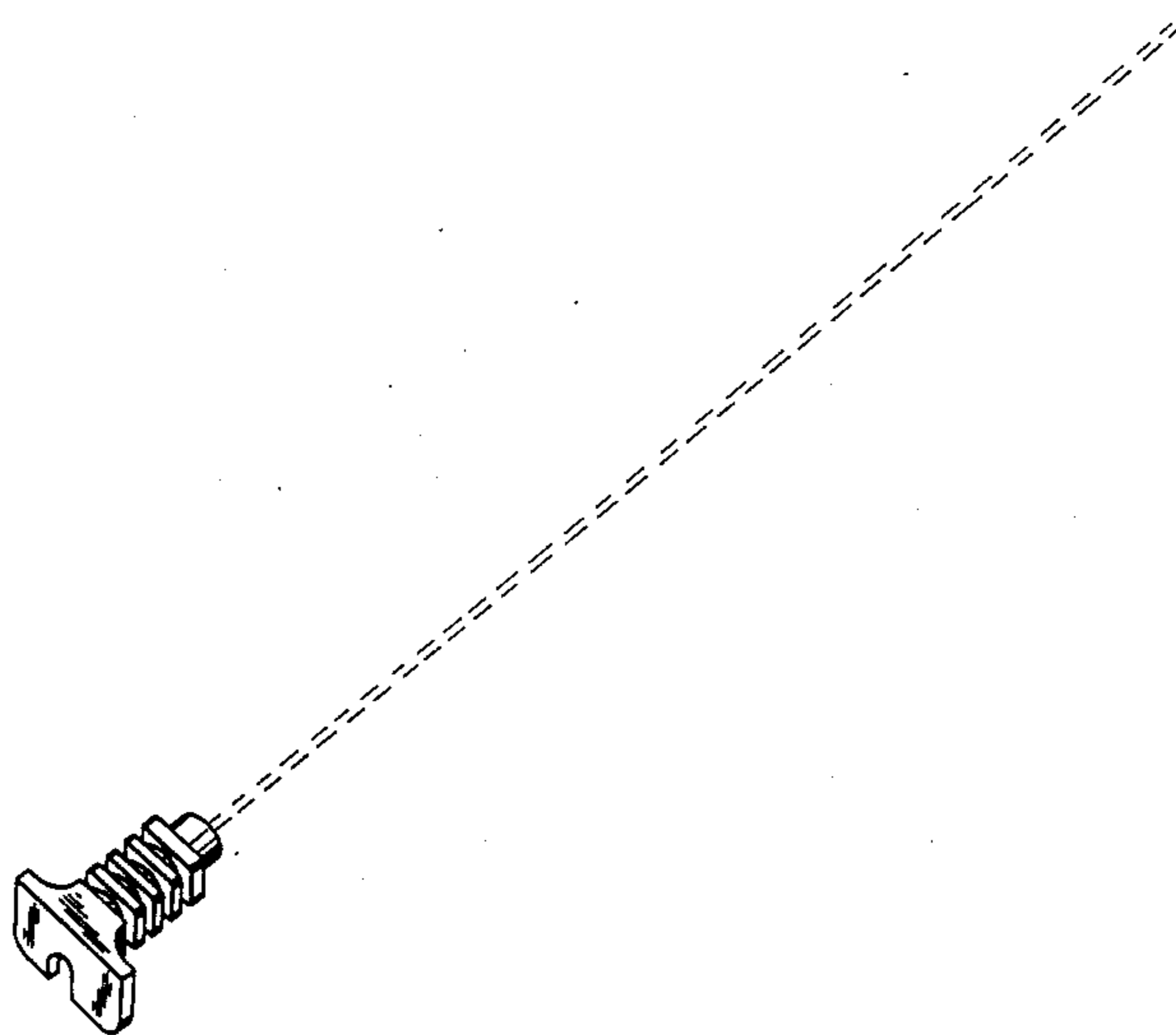
[57] CLAIM

The ornamental design for a needle head for biopsy stylet, as shown and described.

DESCRIPTION

FIG. 1 is a top perspective view of a needle head for biopsy stylet, showing my new design; FIG. 2 is a bottom perspective view thereof; and FIG. 3 is an elevational view of the end opposite that shown in FIGS. 1 and 2.

The broken line showing of the stylet in FIGS. 1 and 2 is for illustrative purposes only and forms no part of the claimed design.



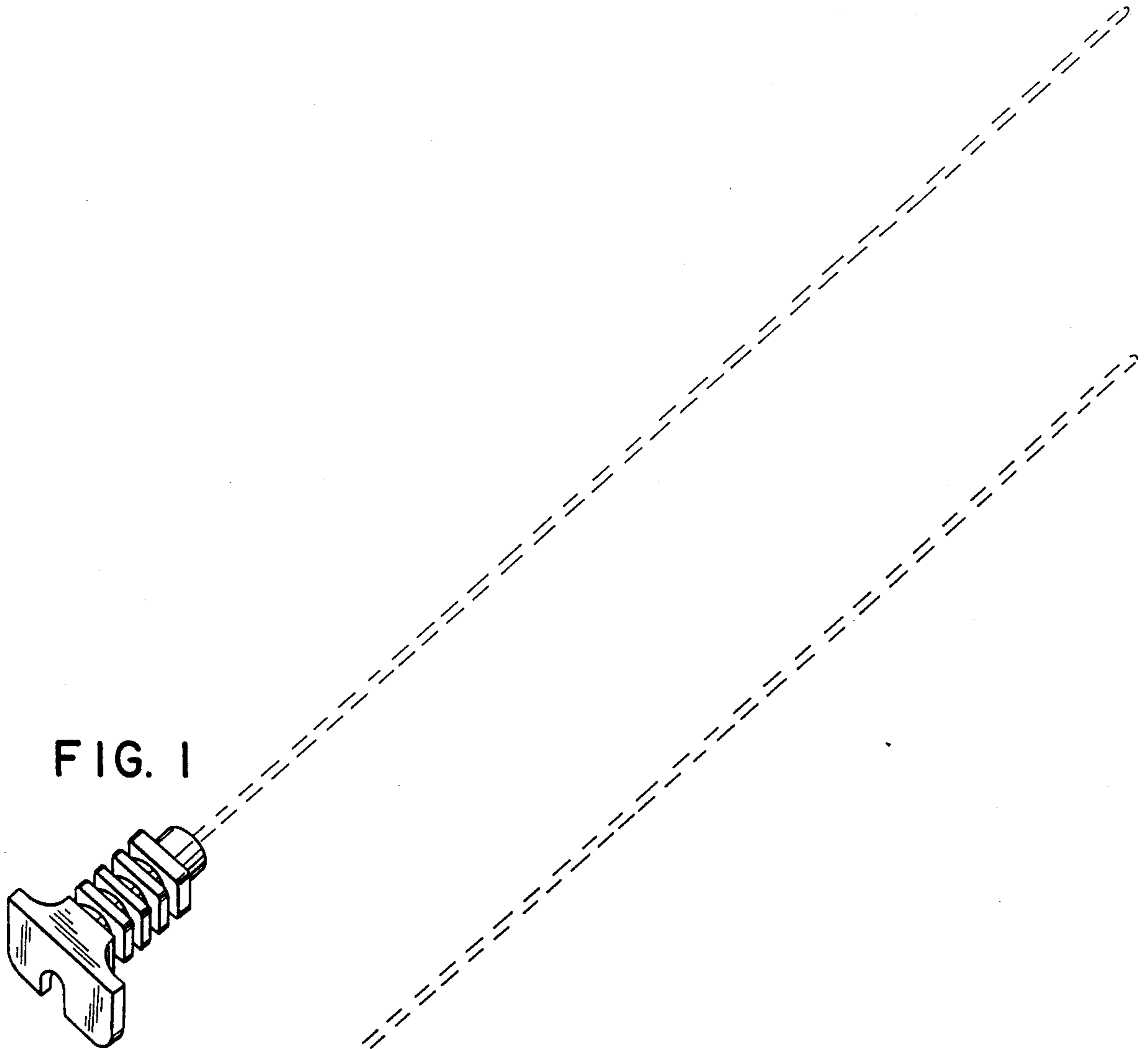


FIG. 1

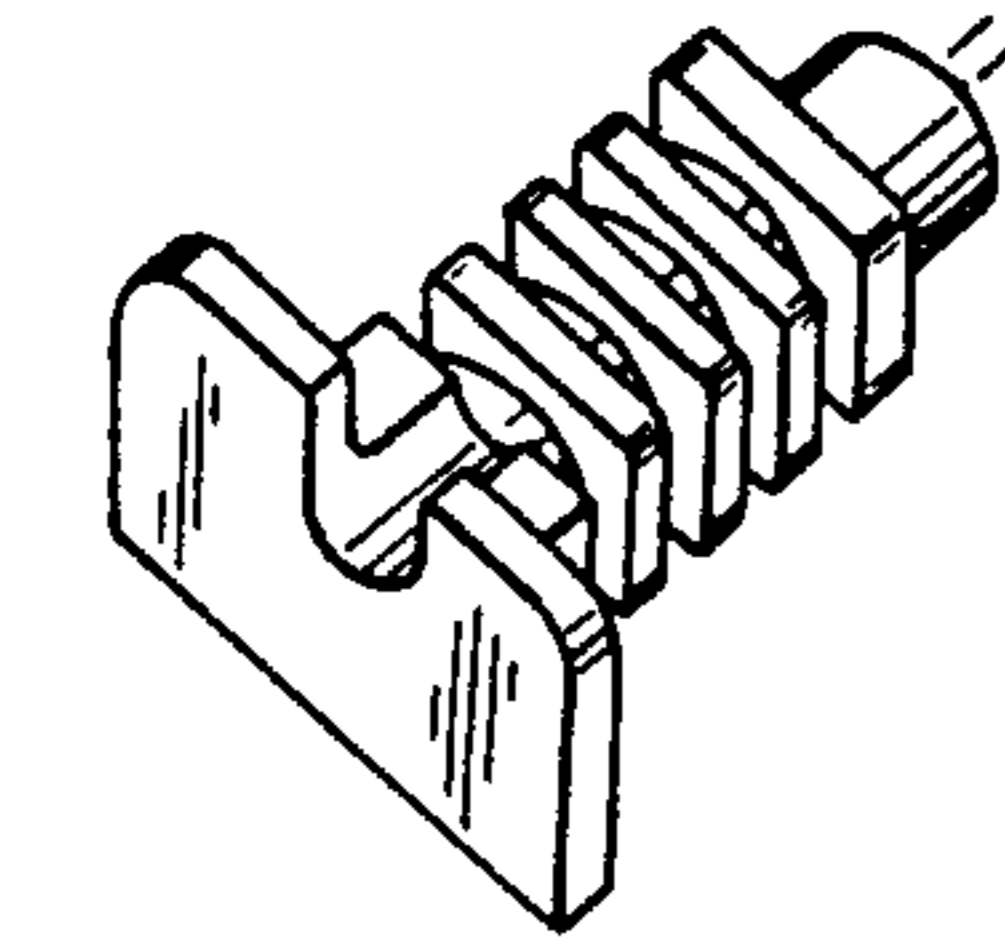


FIG. 2

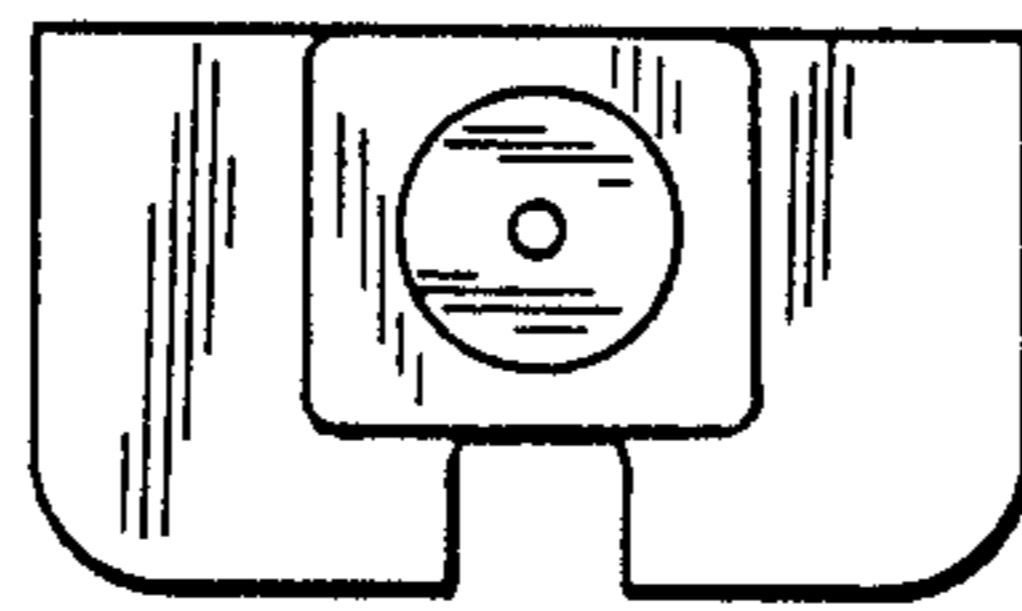


FIG. 3

Disclaimer

Des. 309,014.—*Dan Akerfeldt*, Uppsala, Sweden. NEEDLE HEAD FOR BIOPSY STYLET. Patent dated July 3, 1990. Disclaimer filed July 27, 1990, by the assignee, C.R. Bard, Inc.

Hereby enters this disclaimer to the claim of said patent.
[*Official Gazette Nov. 20, 1990*]