

United States Patent [19]

Arioka et al.

[11] Patent Number: **Des. 309,011**

[45] Date of Patent: **** Jul. 3, 1990**

[54] **ARTIFICIAL LUNG**

[75] Inventors: **Tetsuya Arioka; Masaru Wada**, both of Tokyo, Japan

[73] Assignee: **Terumo Kabushiki Kaisha**, Tokyo, Japan

[**] Term: **14 Years**

[21] Appl. No.: **103,264**

[22] Filed: **Sep. 30, 1987**

[30] **Foreign Application Priority Data**

Apr. 1, 1987 [JP] Japan 62-12186

[52] U.S. Cl. **D24/8; D15/7**

[58] Field of Search **D24/8, 17, 21; 128/DIG. 3, DIG. 13, DIG. 28; 422/46, 47, 48; 210/321.8**

[56] **References Cited**

U.S. PATENT DOCUMENTS

D. 279,705 7/1985 Wada D24/8
D. 280,340 8/1985 Wada D24/8

4,188,360 2/1980 Kurata 128/DIG. 3 X
4,231,988 11/1980 Kurata 128/DIG. 3 X
4,407,777 10/1983 Wilkinson et al. 128/DIG. 3 X
4,620,965 11/1986 Fukusawa et al. .

Primary Examiner—A. Hugo Word
Assistant Examiner—Stella M. Reid
Attorney, Agent, or Firm—Frishauf, Holtz, Goodman & Woodward

[57] **CLAIM**

The ornamental design for an artificial lung, as shown and described.

DESCRIPTION

FIG. 1 is a perspective view of an artificial lung showing our new design;
FIG. 2 is a front elevational view thereof;
FIG. 3 is a rear elevational view thereof;
FIG. 4 is a top plan view thereof;
FIG. 5 is a right side elevational view thereof;
FIG. 6 is a left side elevational view thereof;
FIG. 7 is a bottom plan view thereof; and
FIG. 8 is a cross-sectional view thereof taken along the line VIII—VIII in FIG. 2.

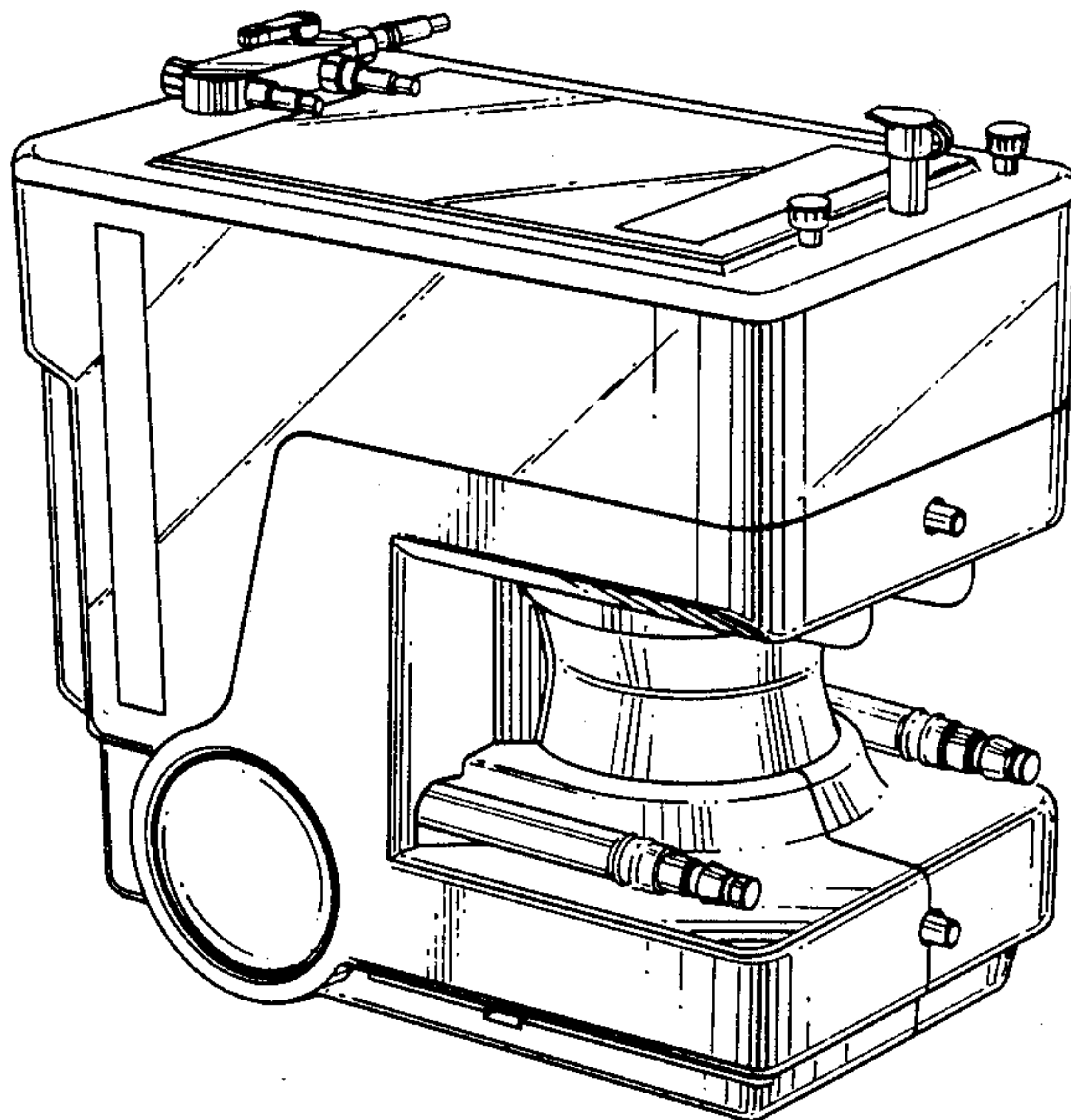


FIG. 1

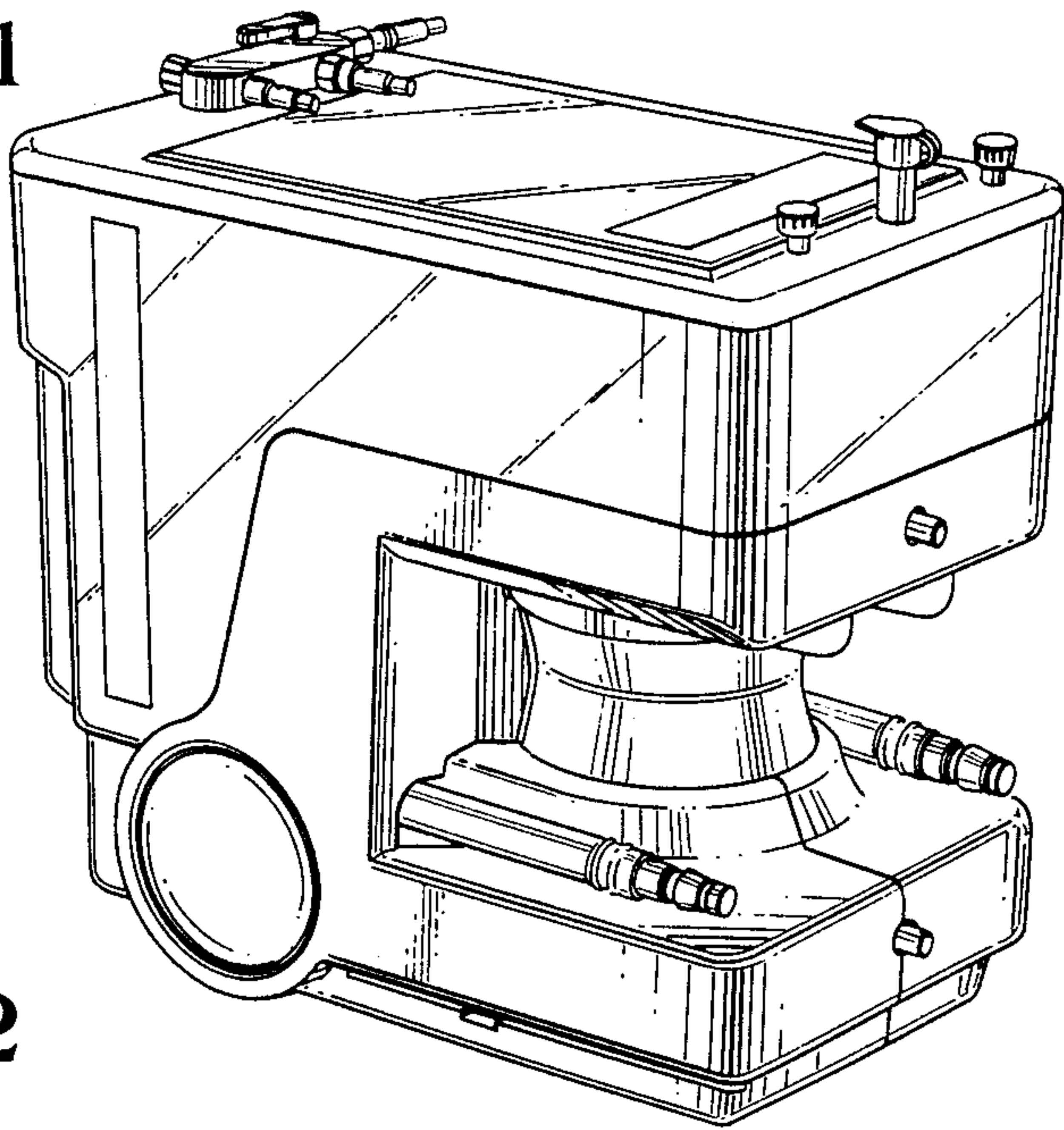


FIG. 2

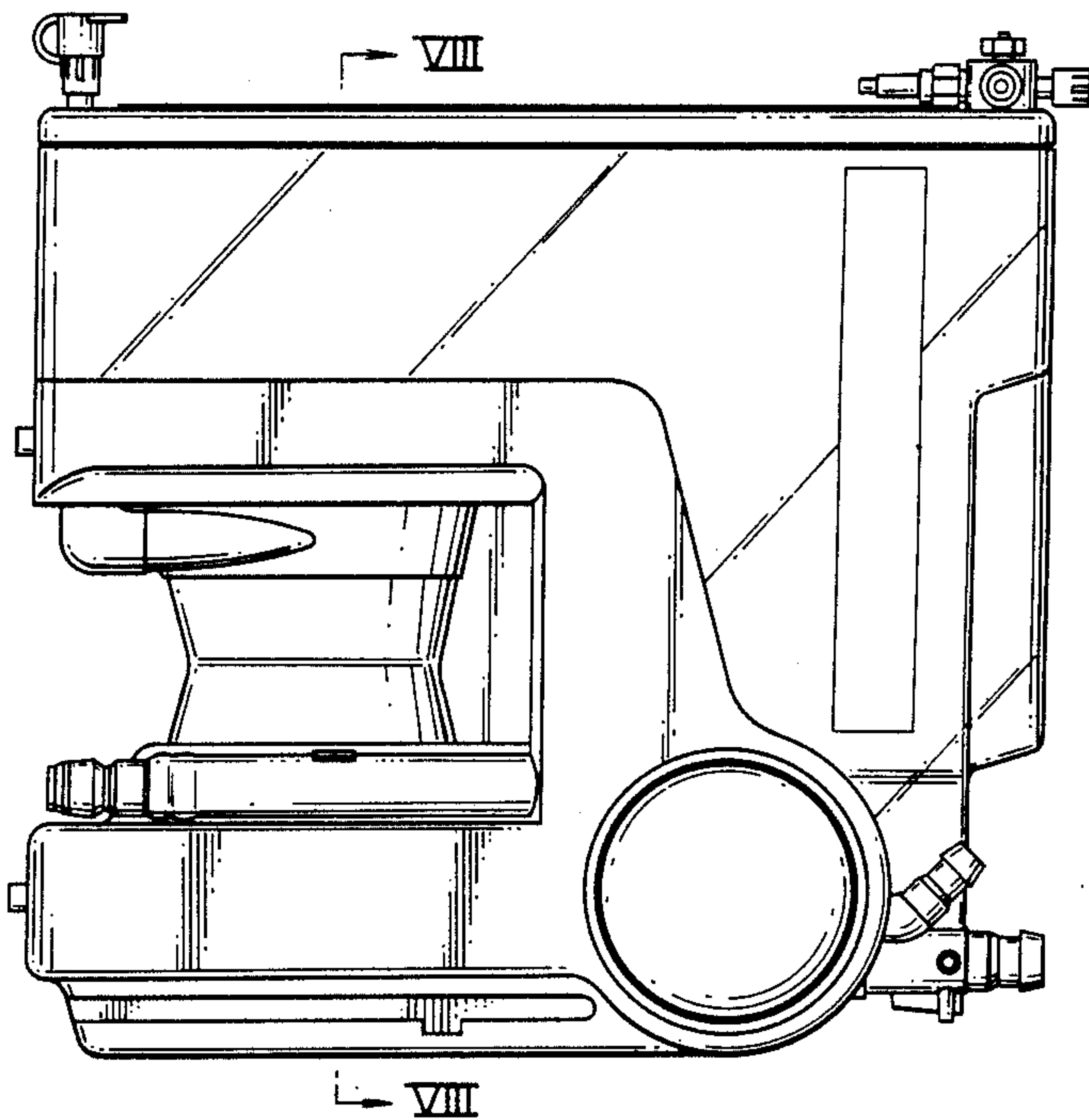


FIG. 3

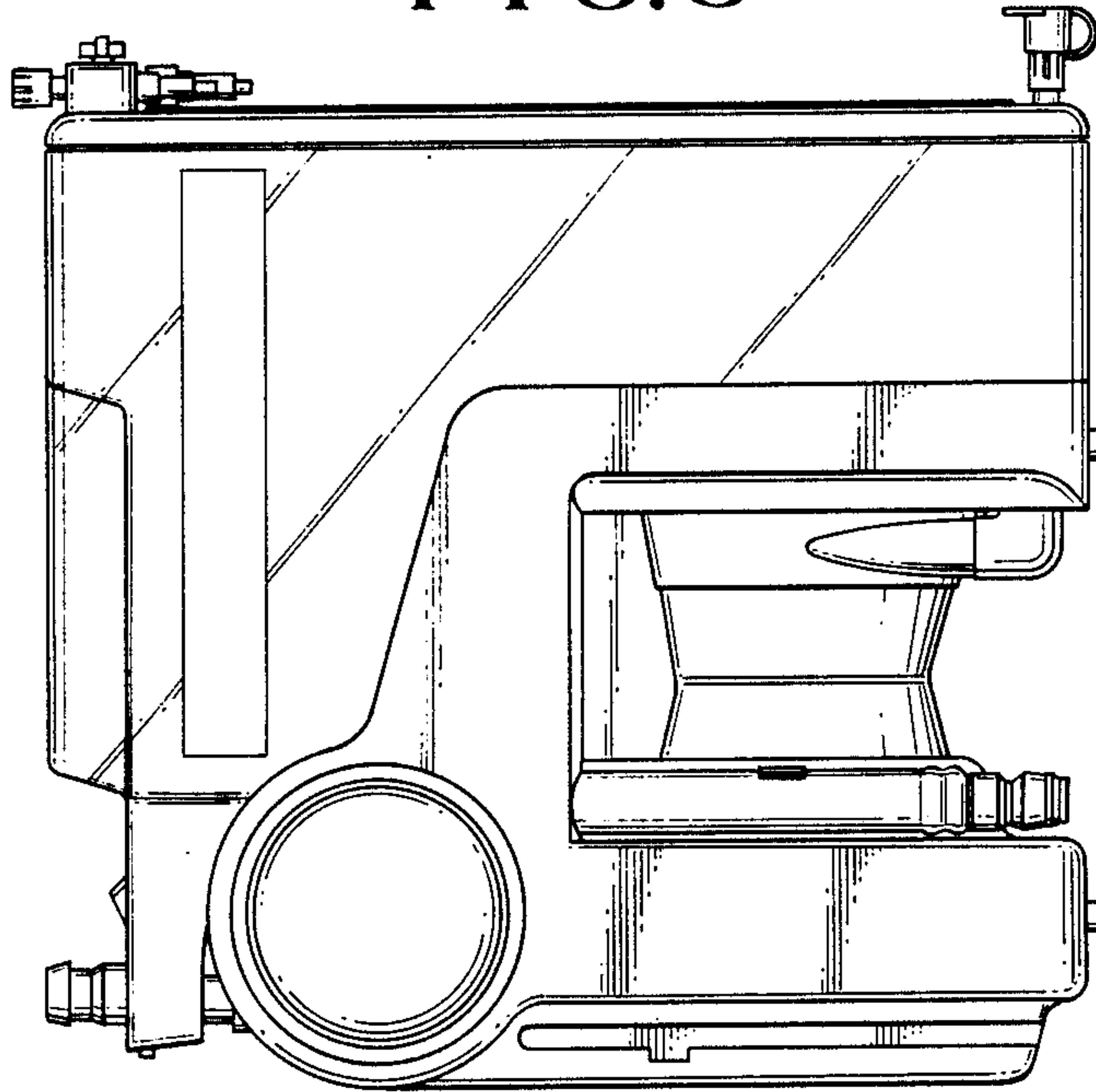


FIG. 4

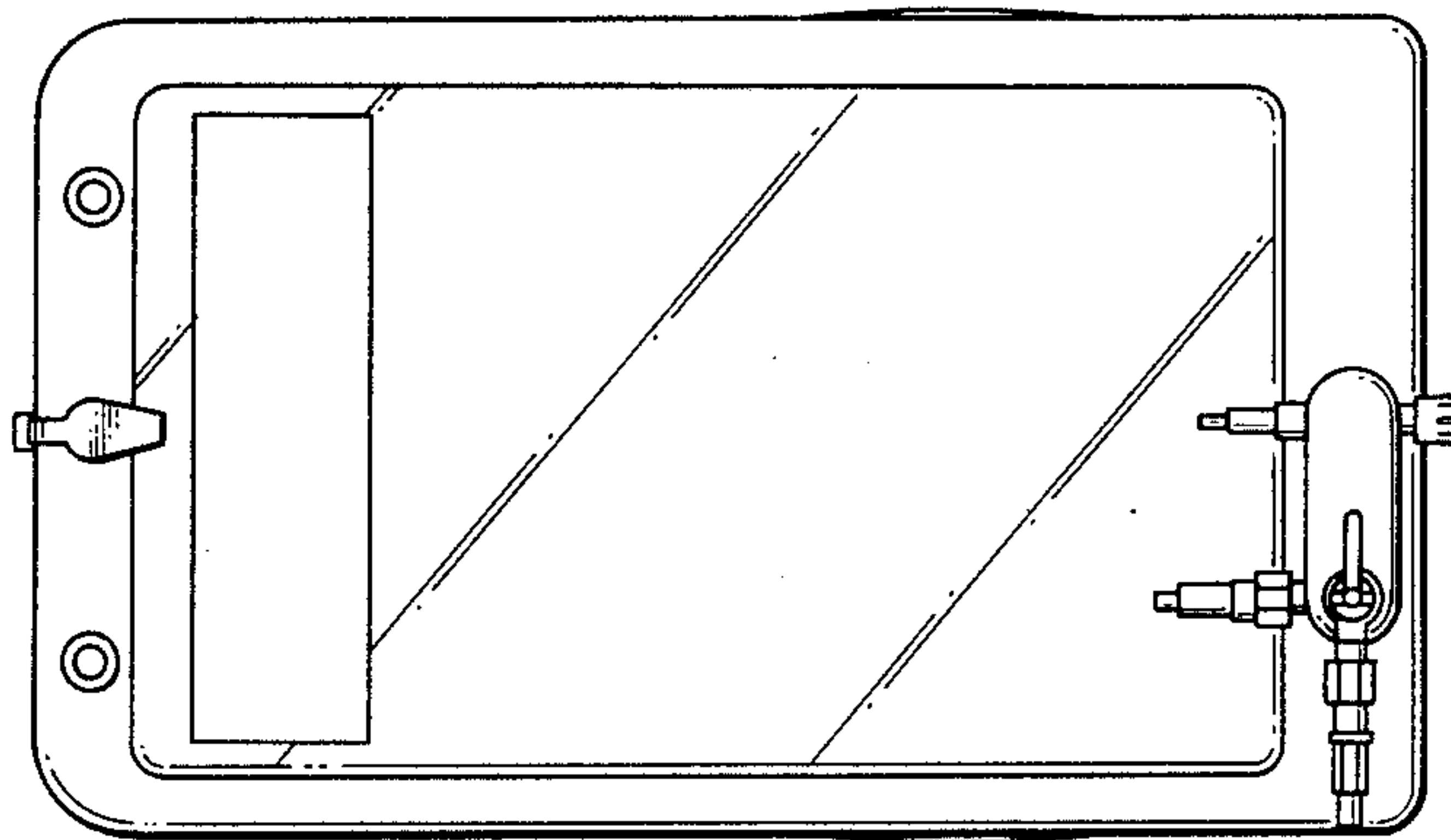


FIG. 5

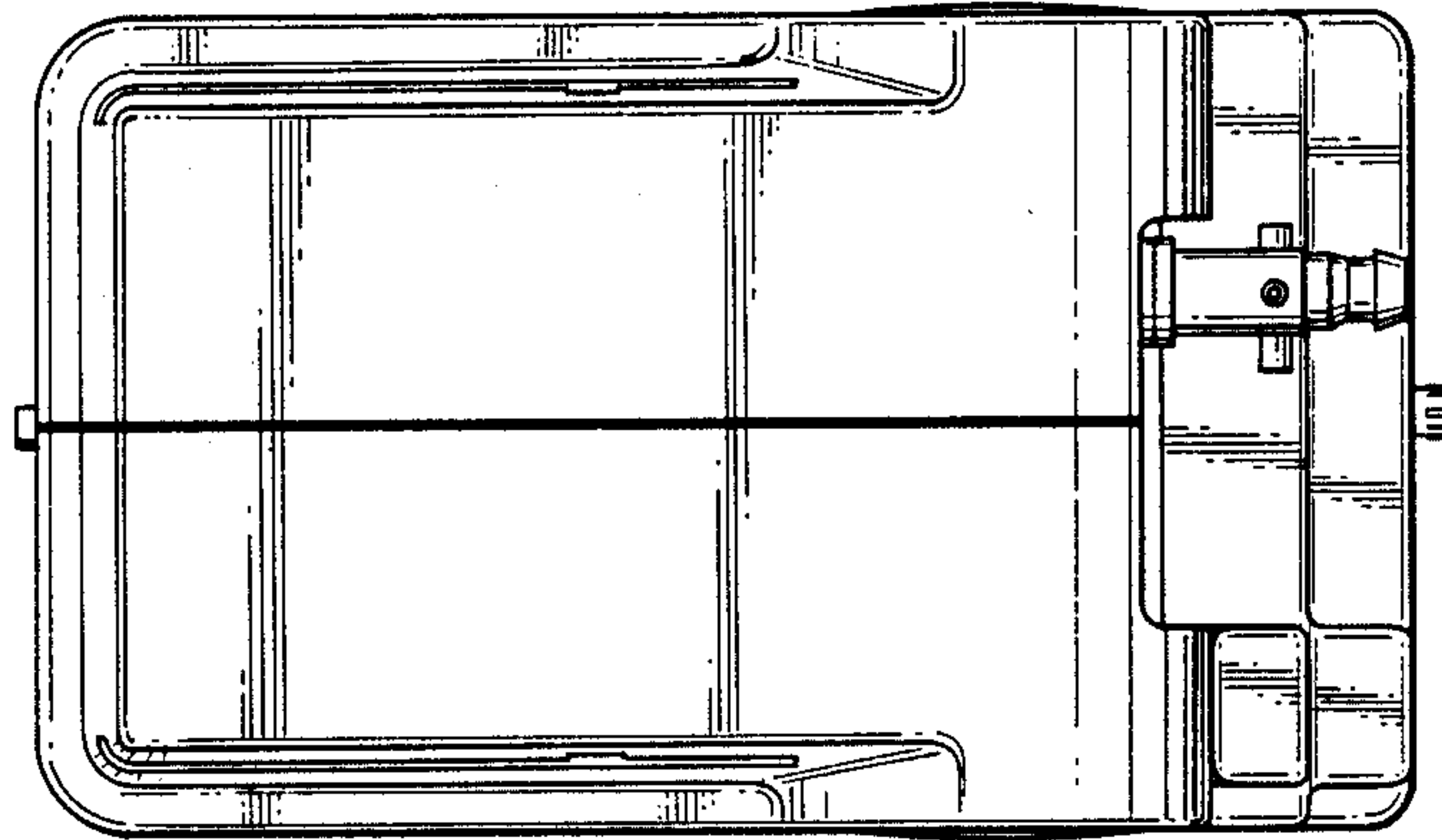


FIG. 6

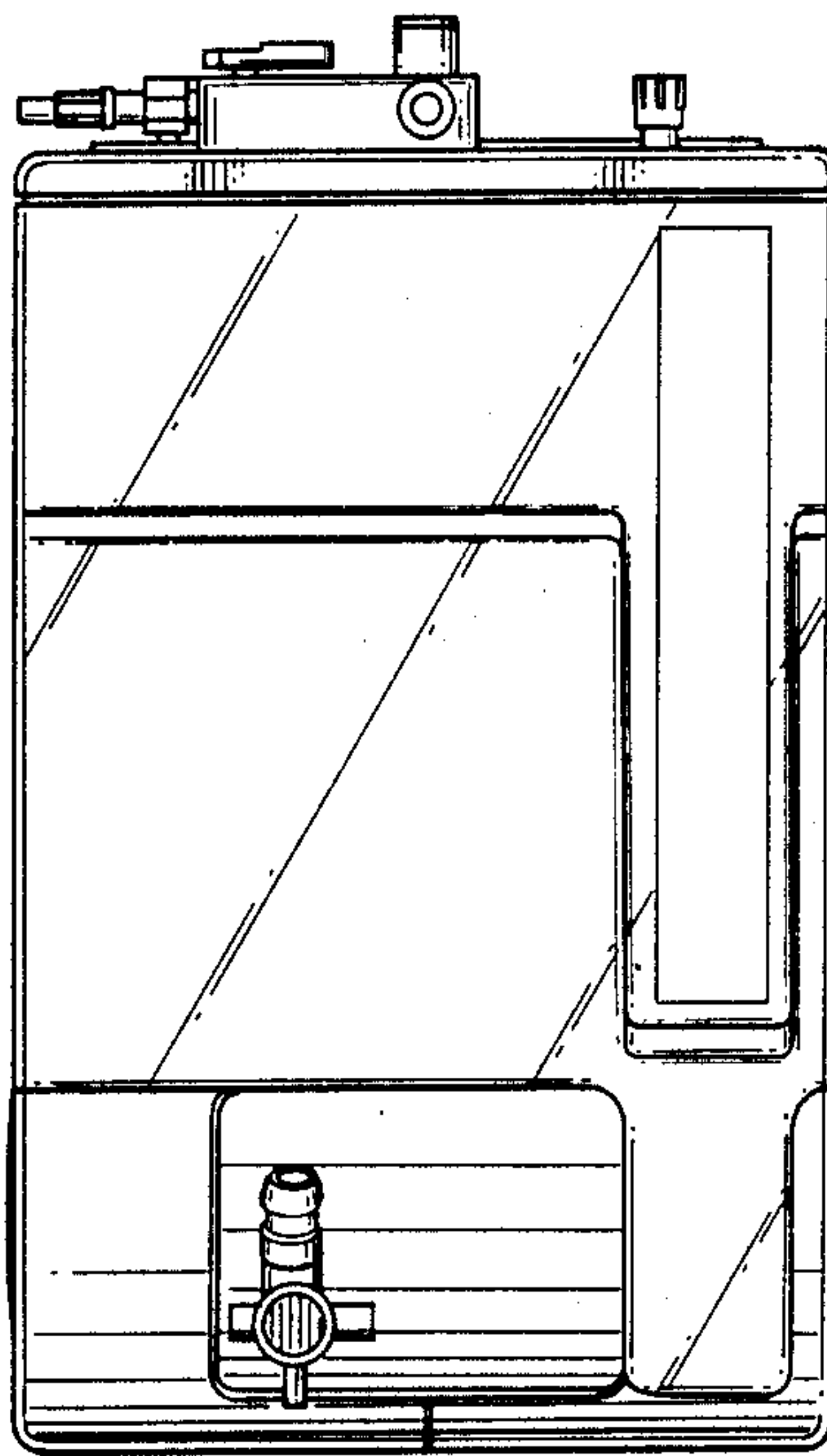


FIG. 7

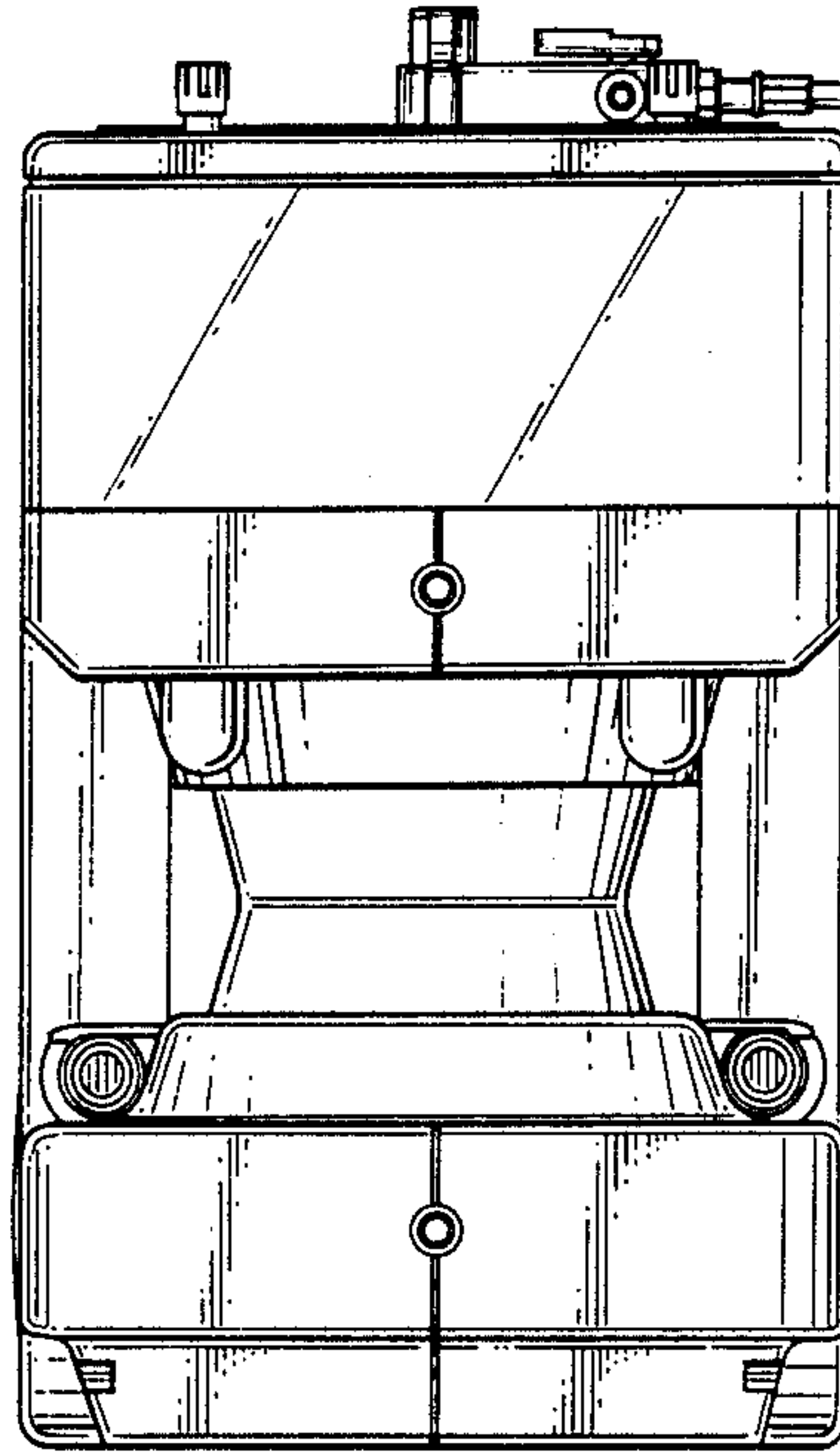


FIG. 8

