

[54] VAPORIZER

[75] Inventor: Donald W. Herritz, Reedsburg, Wis.

[73] Assignee: Gerber Products Company, Fremont, Mich.

[\*\*] Term: 14 Years

[21] Appl. No.: 124,185

[22] Filed: Nov. 23, 1987

[52] U.S. Cl. .... D23/362

[58] Field of Search ..... D23/356, 359, 360, 362, D23/363, 358; 219/271, 275, 276, 362; 261/91

[56] References Cited

U.S. PATENT DOCUMENTS

D. 192,842	5/1962	Katzman	.....	D23/362
D. 197,937	4/1964	Katzman	.....	D23/362
D. 199,381	10/1964	Katzman	.....	D23/360
D. 214,563	7/1969	Katzman	.....	D23/360
D. 216,973	3/1970	Katzman	.....	D23/356
D. 235,450	6/1975	Chapman	.....	D23/359
D. 279,215	6/1985	Mango et al.	.....	D23/356
D. 279,216	6/1985	Mango et al.	.....	D23/362
3,687,424	8/1972	Katzman et al.	.....	219/362
4,155,001	5/1979	Schossow	.....	219/362

OTHER PUBLICATIONS

Kaz, Inc., Electric Vaporizers, Humidifiers, Heating Pads, & Cool Warm Dual Units Catalogue, ©1966, 3, Dyna Mist K-450 and M-360 Cool Humidifiers, middle and bottom right sides of page respectively.

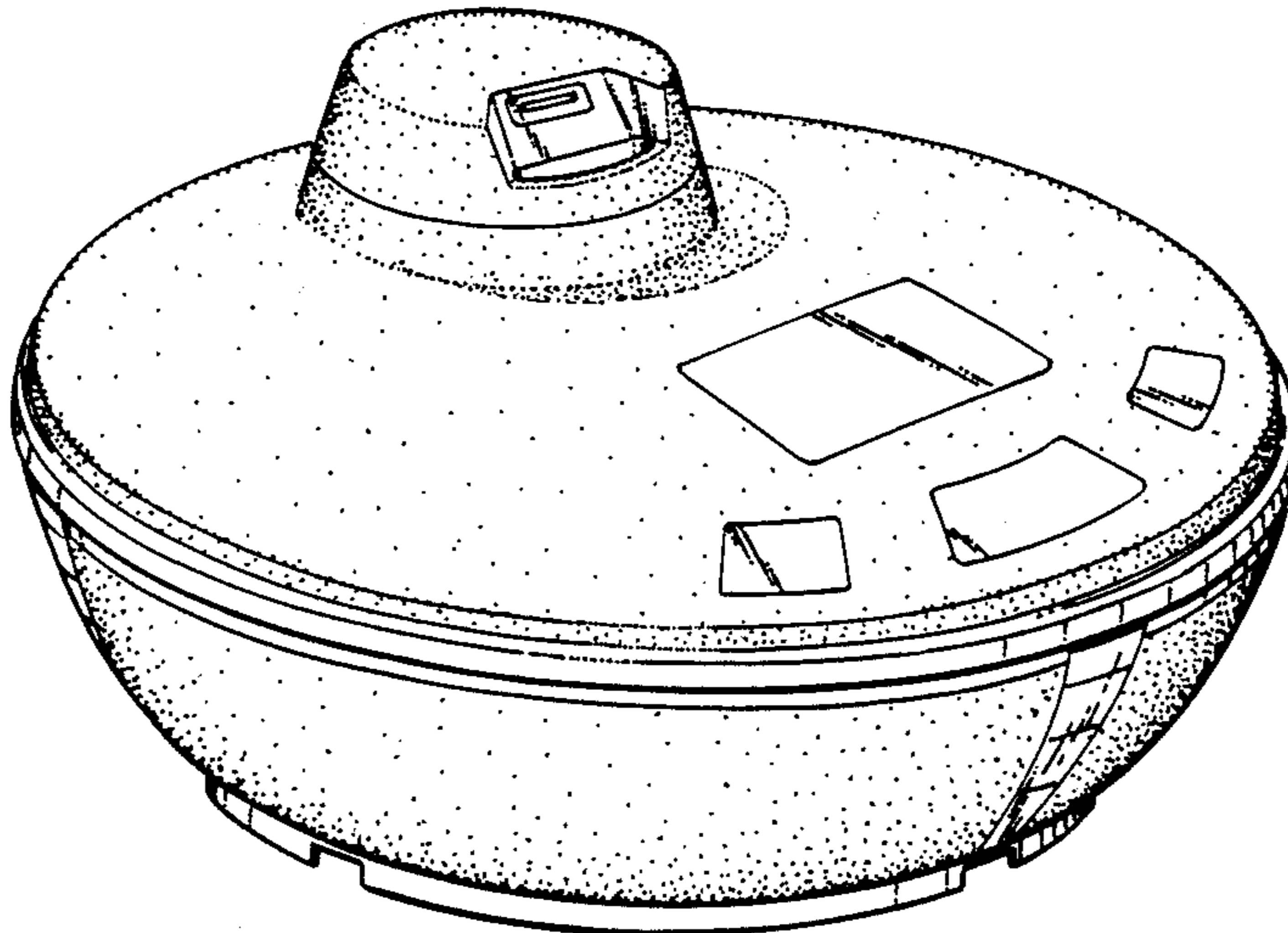
Primary Examiner—James M. Gandy  
Assistant Examiner—Lisa Lichtenstein  
Attorney, Agent, or Firm—Price, Heneveld, Cooper, DeWitt & Litton

[57] CLAIM

The ornamental design for a vaporizer, as shown and described.

DESCRIPTION

FIG. 1 is a perspective view of a vaporizer showing my new design;  
FIG. 2 is a top plan view thereof;  
FIG. 3 is a front elevational view thereof;  
FIG. 4 is a right side elevational view thereof, the left side being a mirror image of that shown;  
FIG. 5 is a rear elevational view thereof;  
FIG. 6 is a bottom plan view thereof.  
The broken line showing of a fragmentary portion of an electrical cord in FIGS. 2, 4 and 5, is for illustrative purposes only and forms no part of the claimed design.



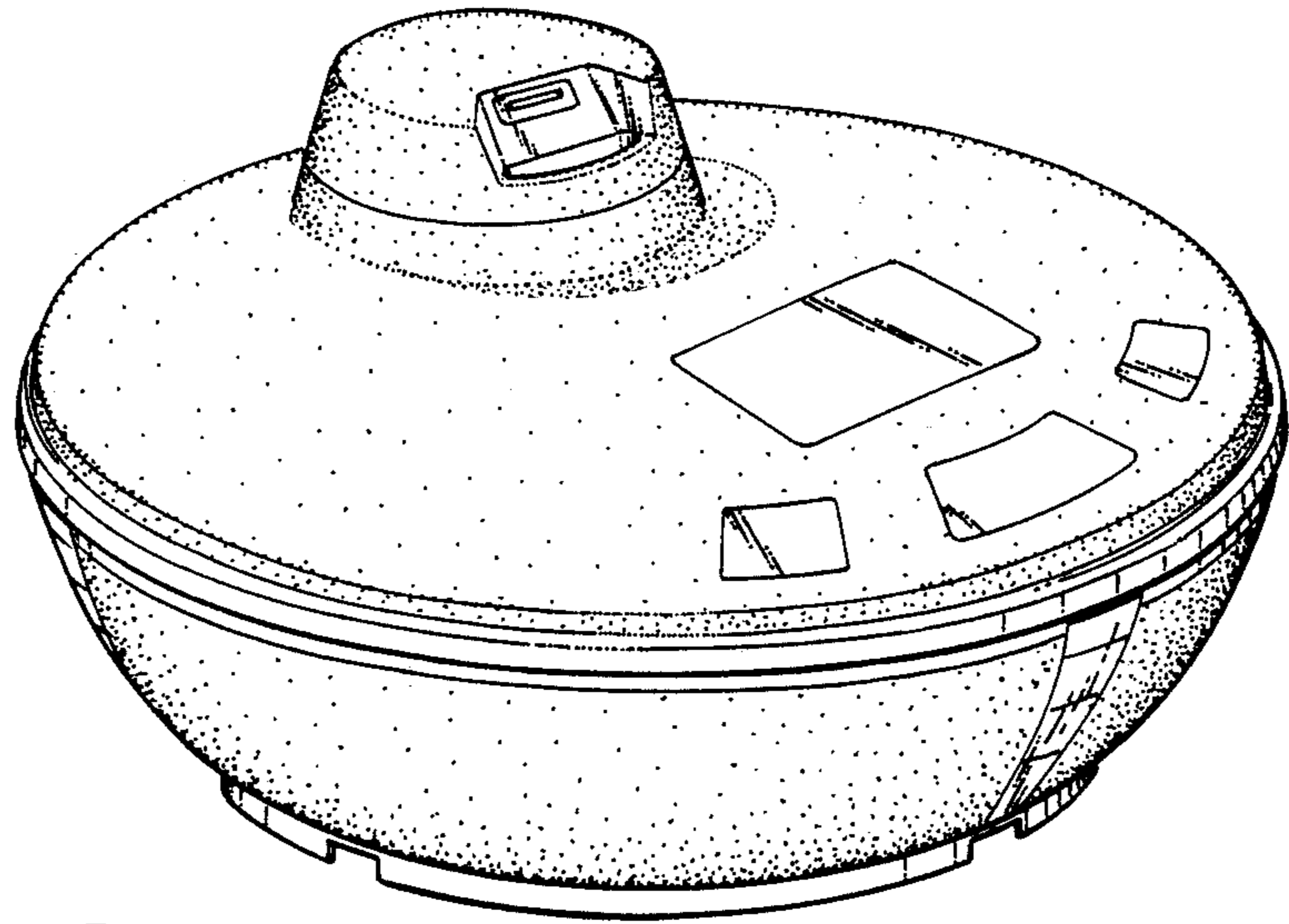


FIG. 1.

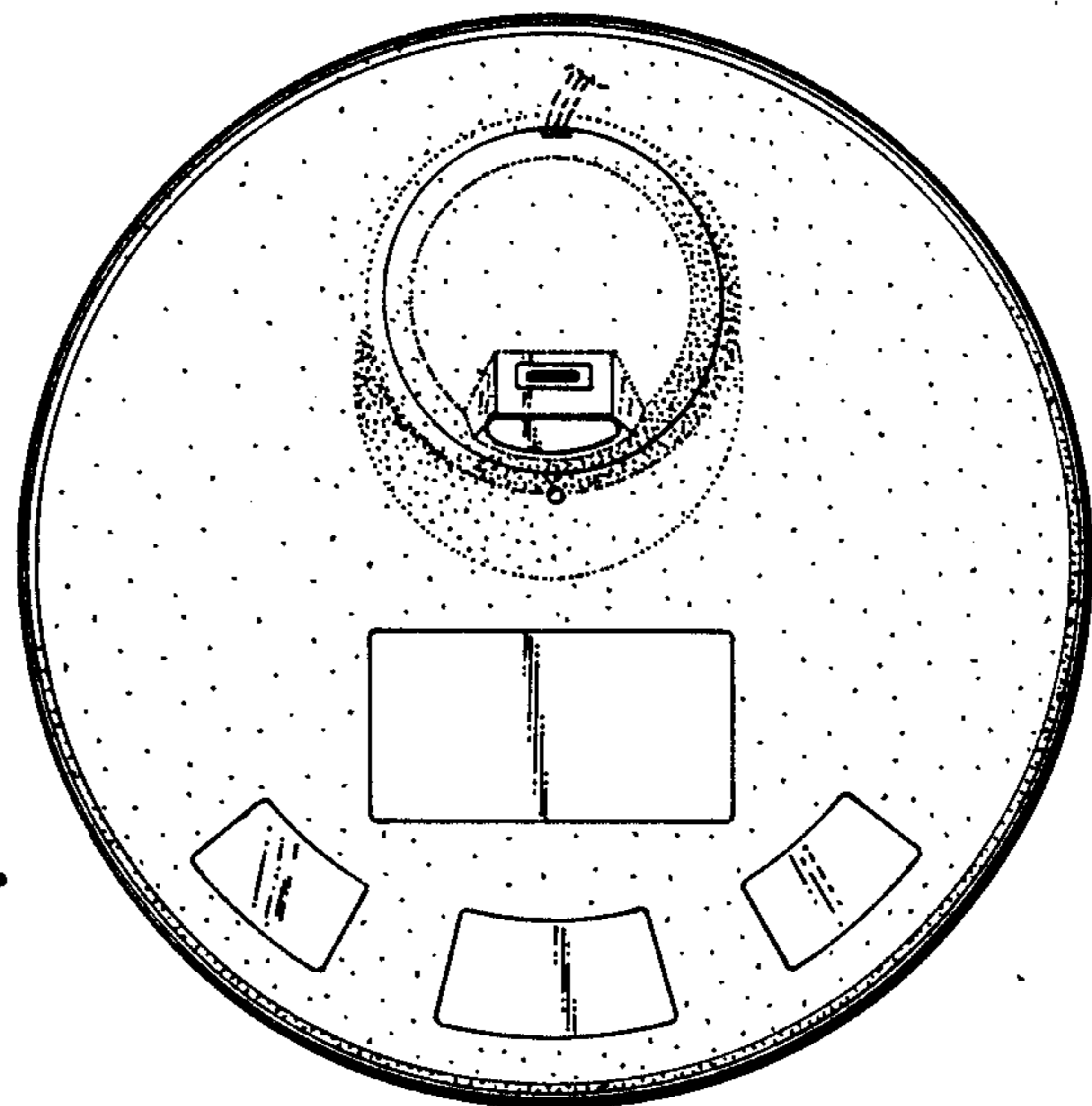


FIG. 2.

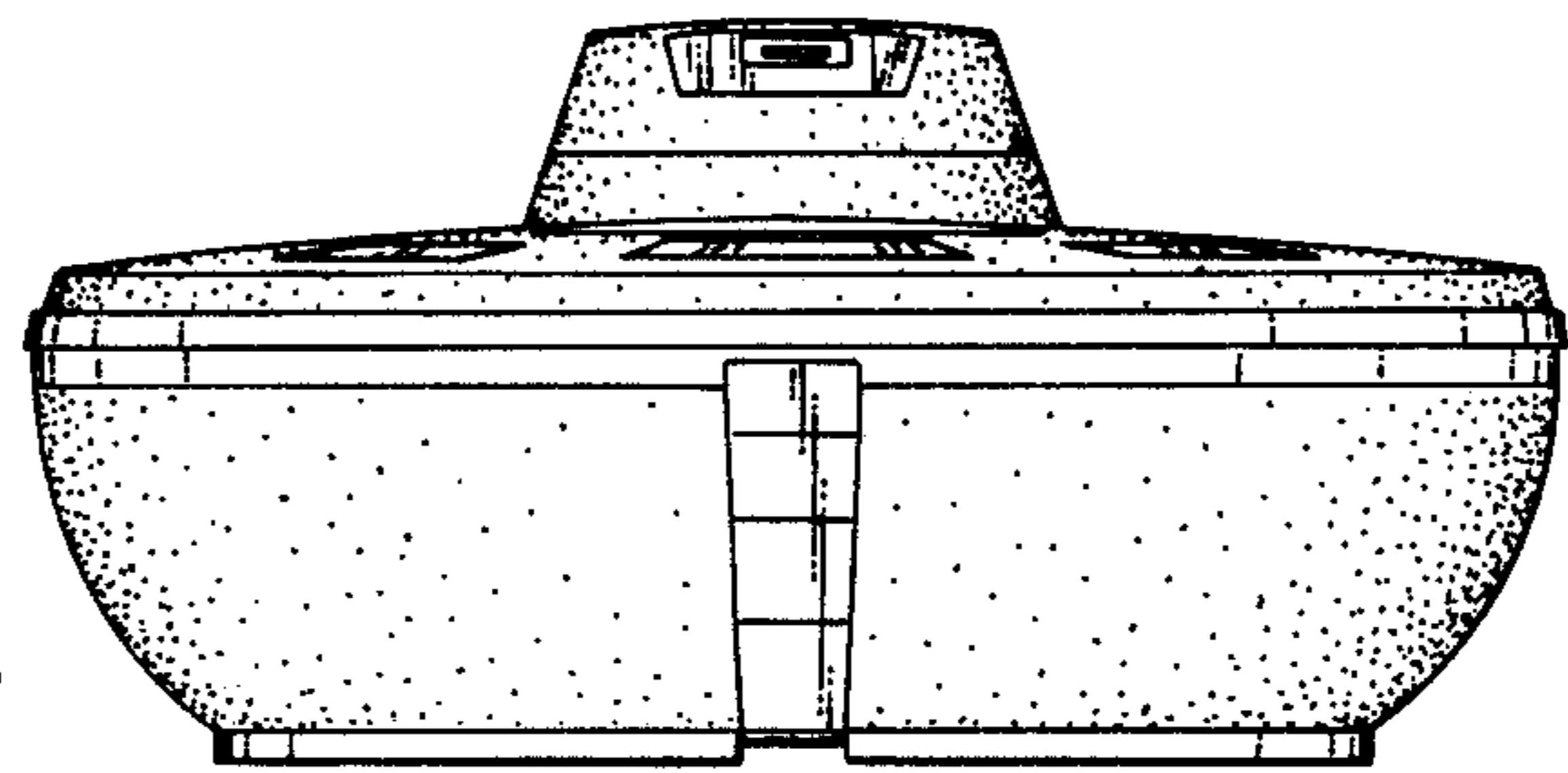


FIG. 3.

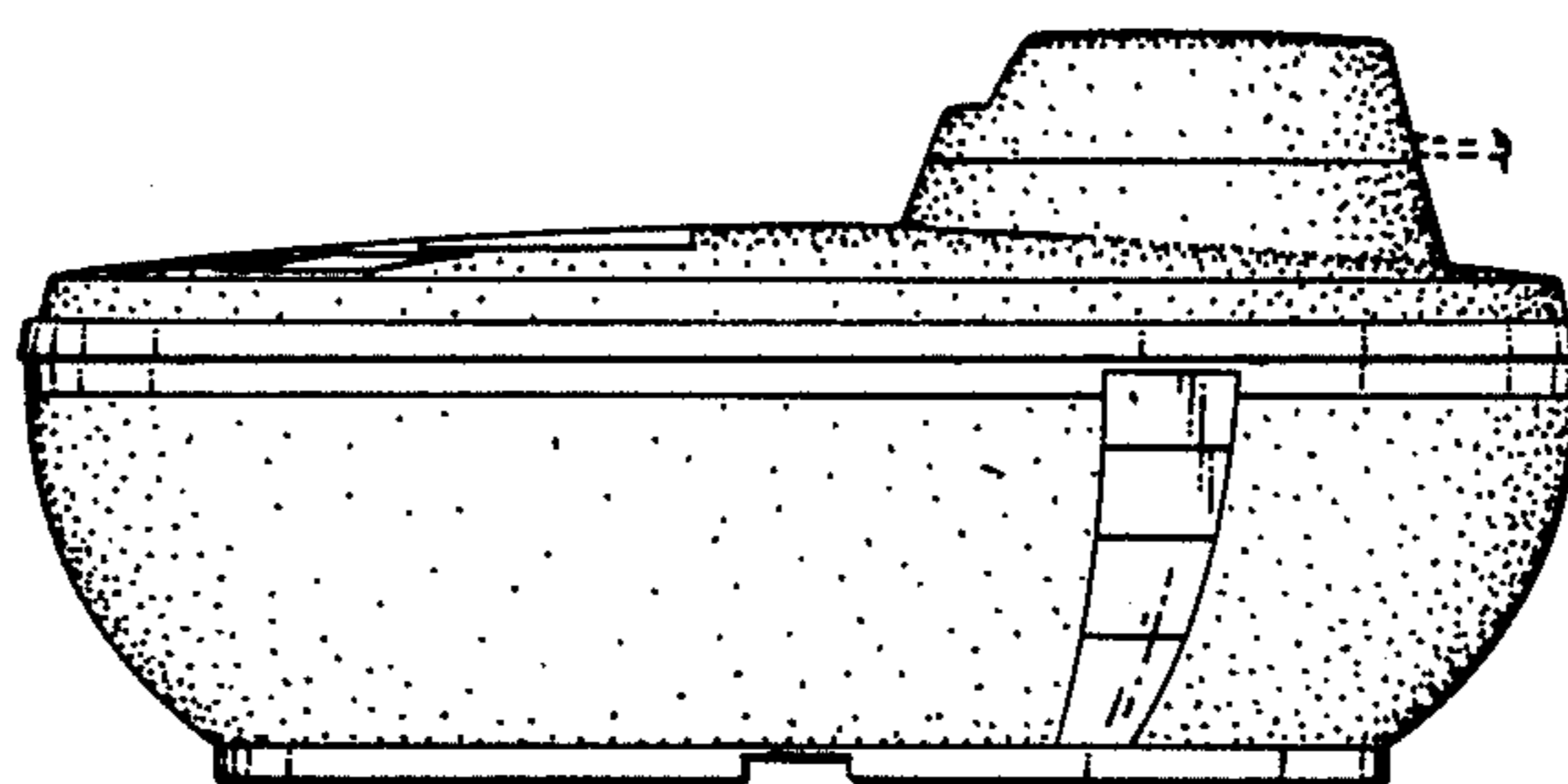


FIG. 4.

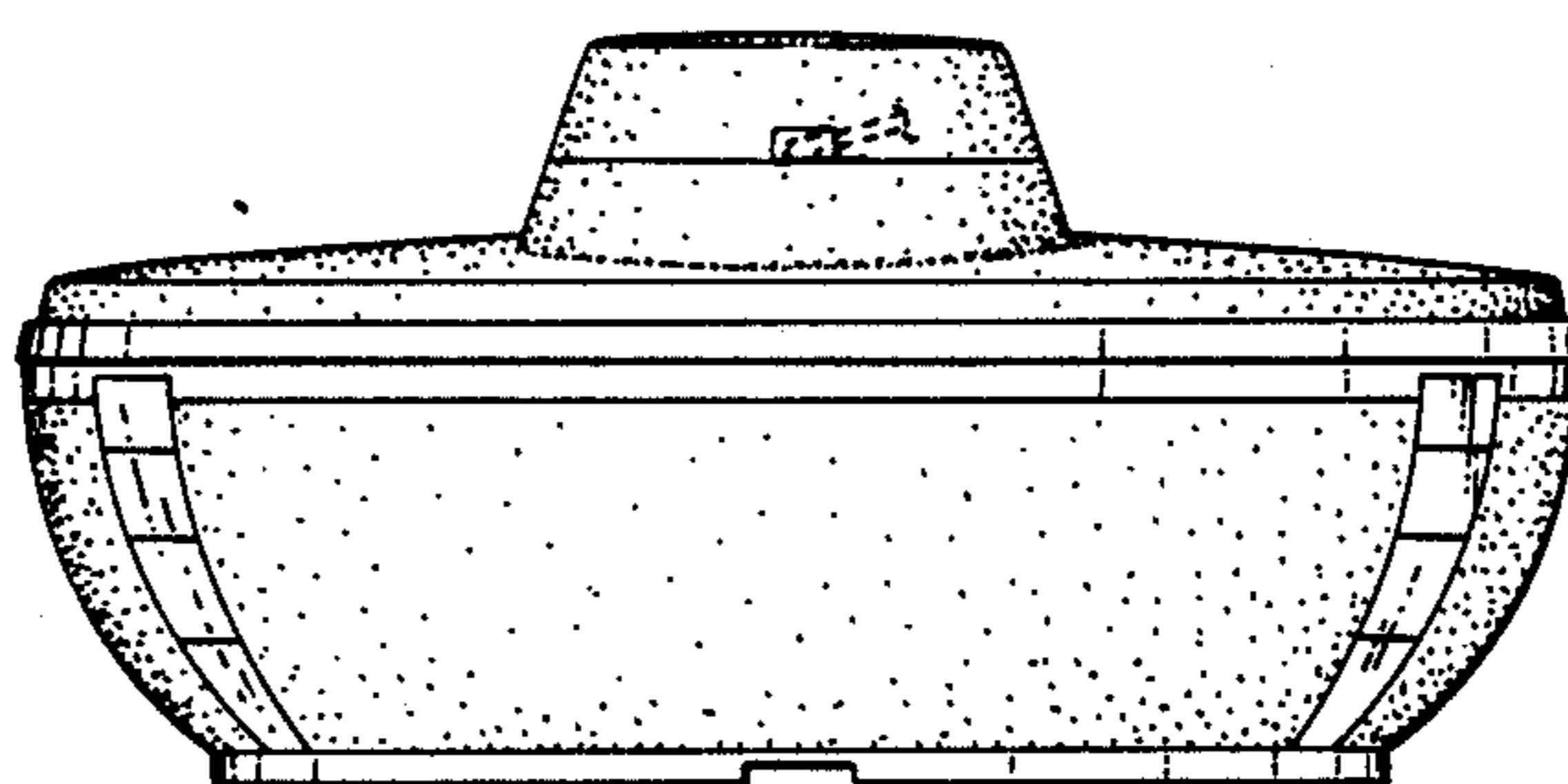


FIG. 5.

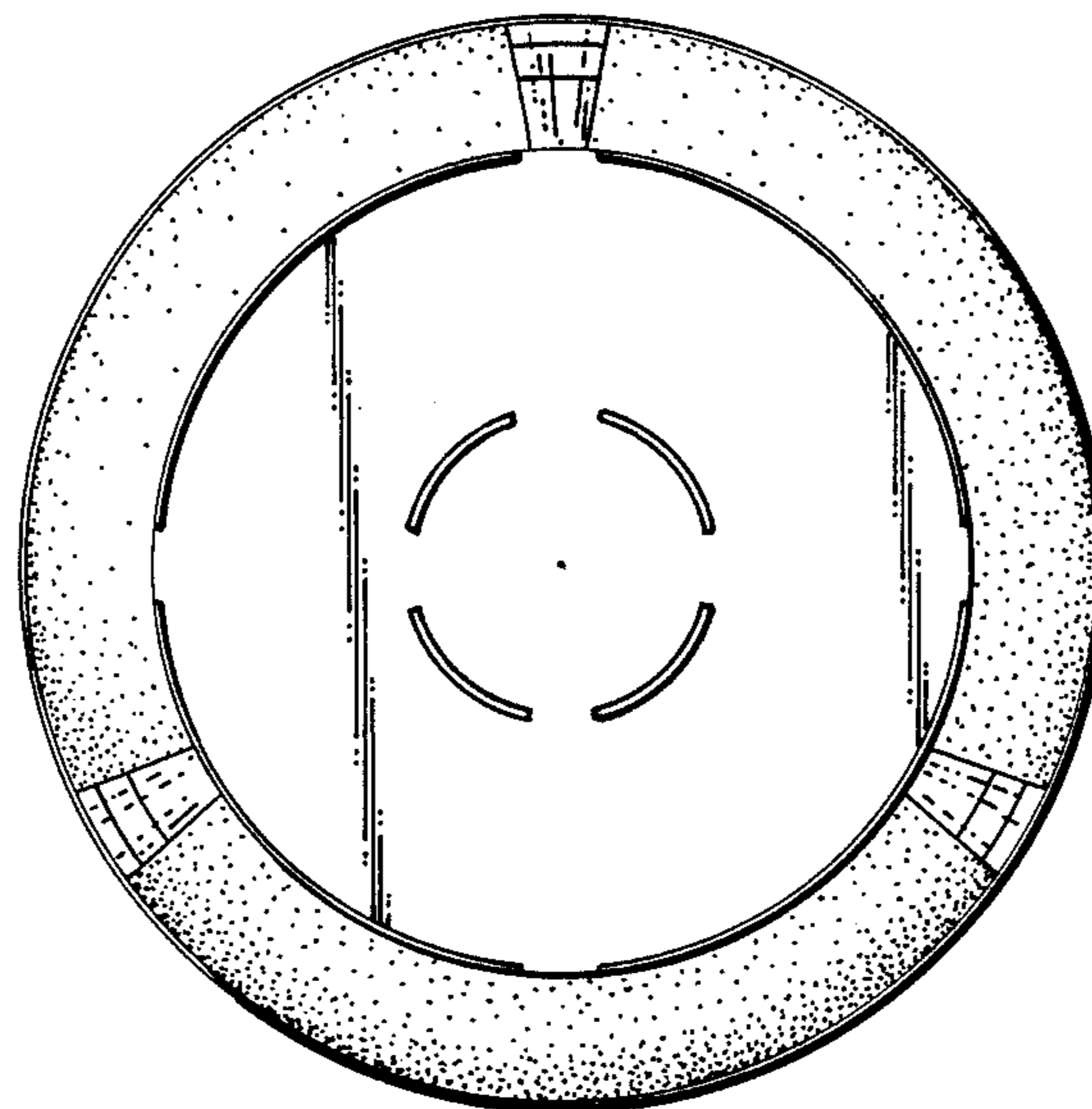


FIG. 6.