

United States Patent [19]

Strignano

[11] Patent Number: **Des. 309,005**

[45] Date of Patent: **** Jul. 3, 1990**

[54] FAUCET SET

[75] Inventor: **Joseph Strignano, New York, N.Y.**

[73] Assignee: **I. W. Industries, Melville, N.Y.**

[**] Term: **14 Years**

[21] Appl. No.: **39,641**

[22] Filed: **Apr. 16, 1987**

[52] U.S. Cl. **D23/242**

[58] Field of Search **D23/238-243;**
4/191, 192; 137/801

D. 290,159 6/1987 Jans D23/242
D. 290,867 7/1987 Paul D23/242
D. 290,870 7/1987 Paul D23/242
D. 290,871 7/1987 Paul D23/242
D. 300,942 5/1989 Paul D23/242
D. 301,056 5/1989 Paul D23/242

Primary Examiner—James R. Largen
Attorney, Agent, or Firm—Alfred M. Walker

[57] **CLAIM**

The ornamental design for a faucet set, as shown and described.

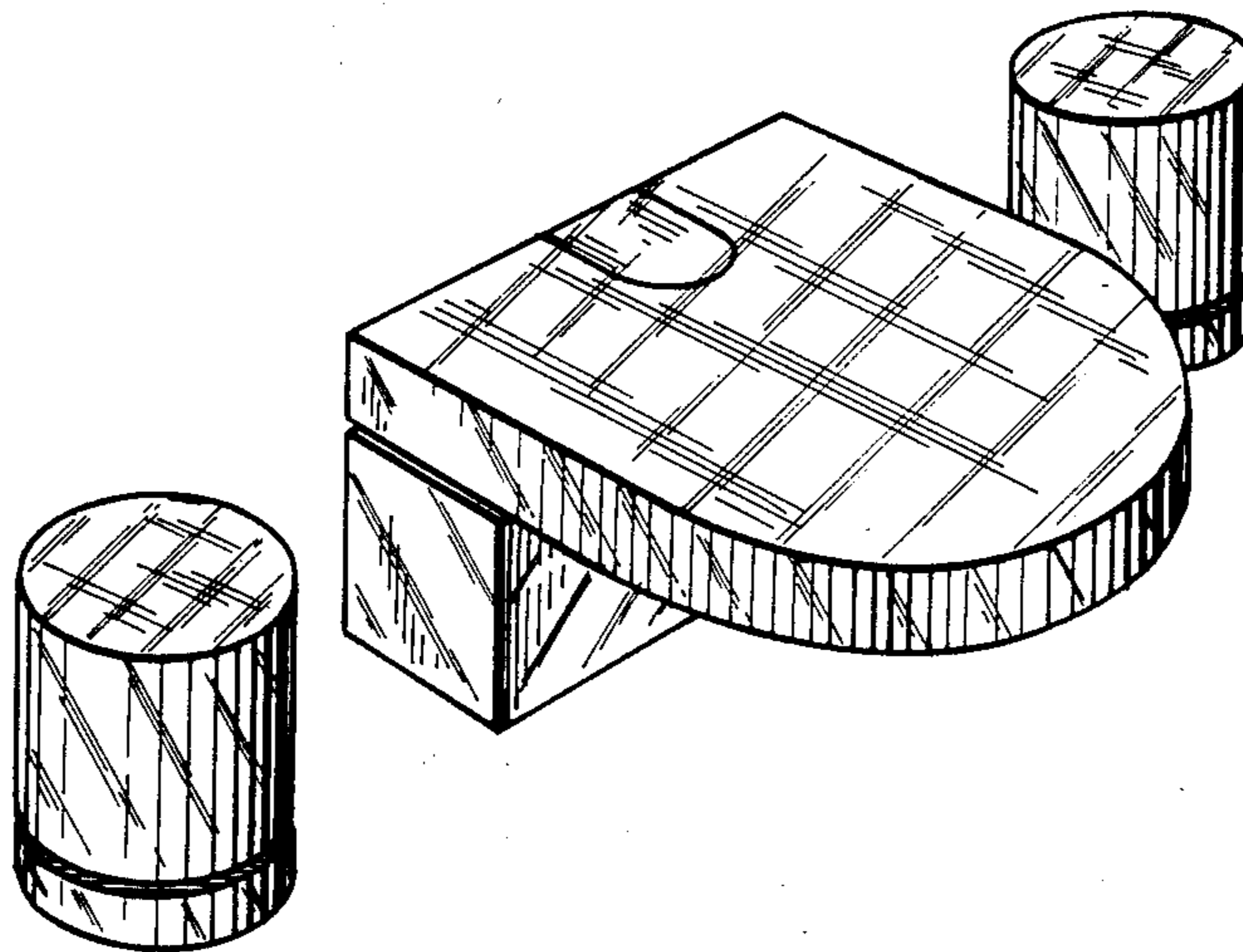
[56] **References Cited**

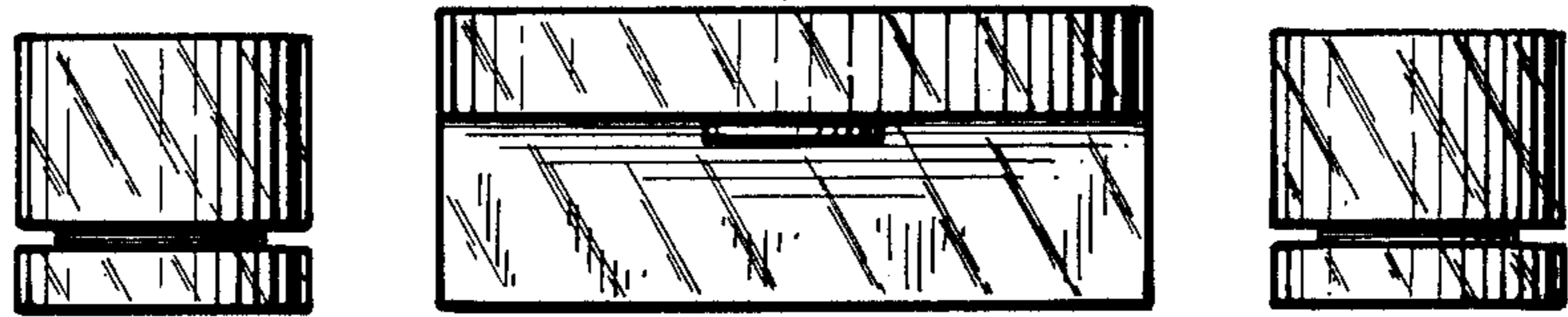
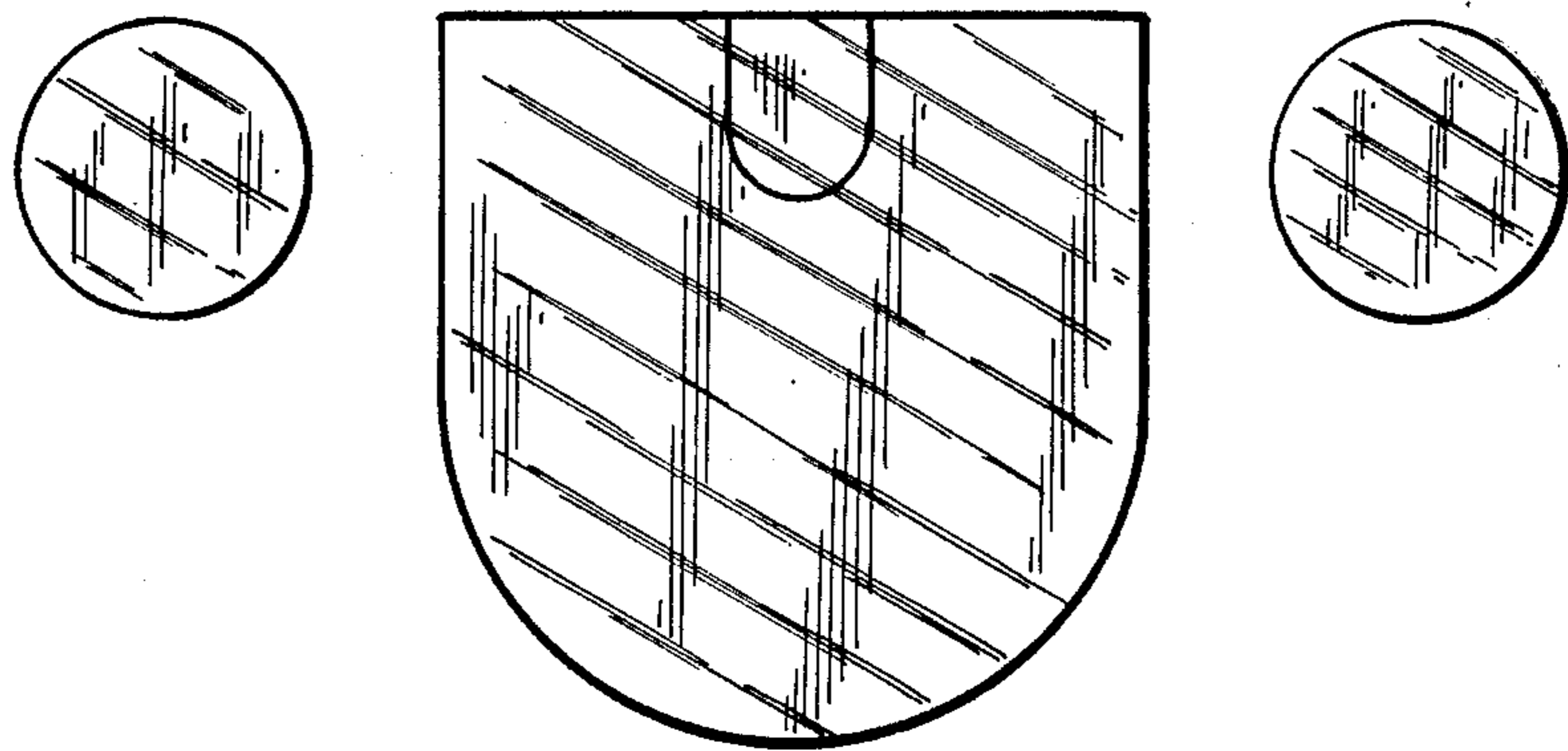
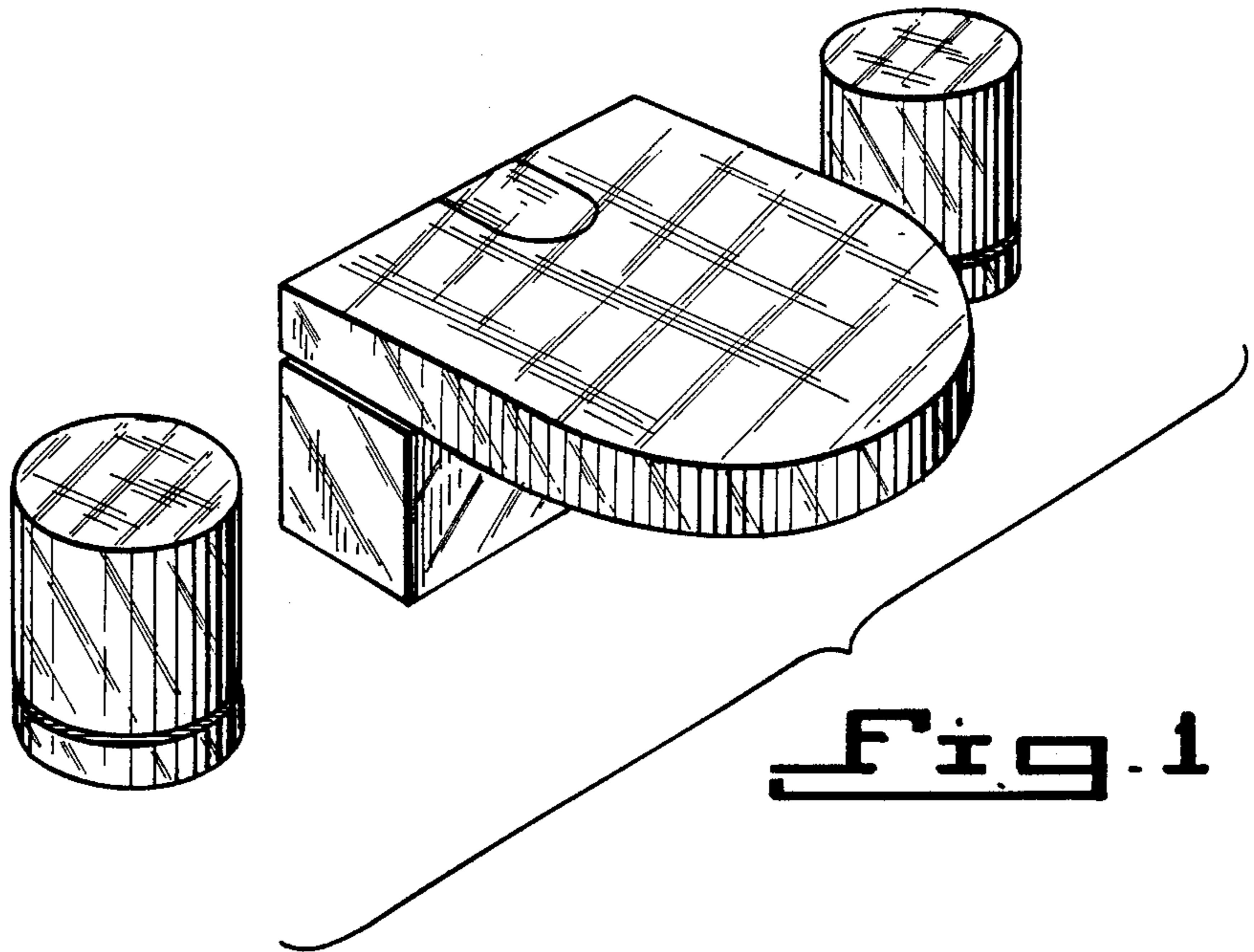
U.S. PATENT DOCUMENTS

D. 271,514 11/1983 Paul D23/242
D. 278,458 4/1985 Paul D23/242
D. 279,213 6/1985 Paul D23/242
D. 280,232 8/1985 Paul D23/242
D. 280,437 9/1985 Rademacher D23/242

DESCRIPTION

FIG. 1 is a perspective view taken from the top, front and left side of a faucet set showing my new design; FIG. 2 is a top plan view thereof; FIG. 3 is a front elevational view thereof; and FIG. 4 is a left side elevational view thereof, the right side being a mirror image of the left side shown.





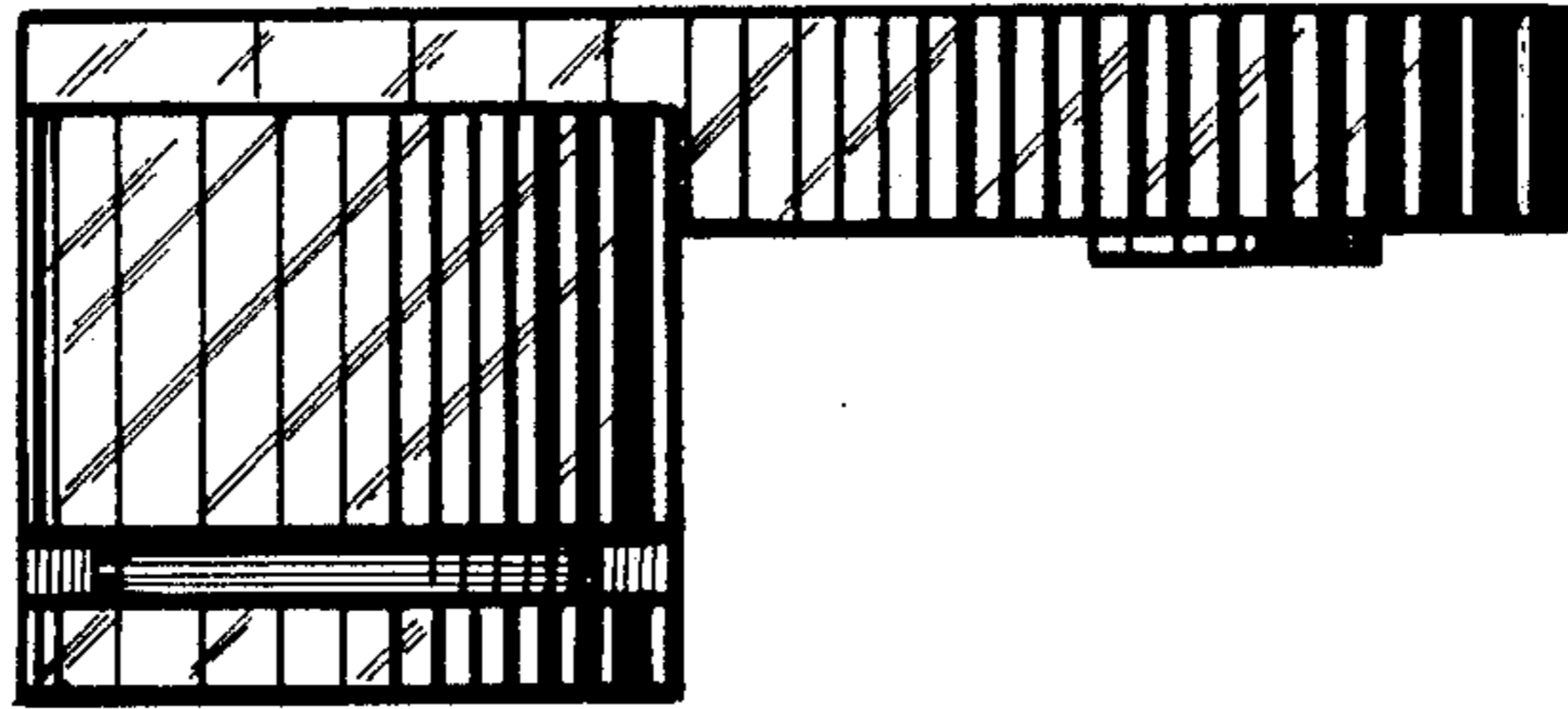


Fig. 4