

[54] **COMBINED GUN STOCK AND BUTT COVER**

[76] **Inventor: Robert C. Southard, P.O. Box 94,  
Locust Grove, Ark. 72550**

[\*\*] **Term: 14 Years**

[21] **Appl. No.: 93,874**

[22] **Filed: Sep. 8, 1987**

[52] **U.S. Cl. .... D22/108**

[58] **Field of Search ..... D22/103, 108, 111;  
42/71.01, 72, 73, 74, 85, 96; 150/154; D3/38**

[56] **References Cited**

**U.S. PATENT DOCUMENTS**

616,424	12/1898	Rowley	42/74
799,037	9/1905	Duncan	42/74
832,213	10/1906	Schmidt	42/74
4,433,500	2/1984	Kunericios	42/74
4,644,987	2/1987	Riang	42/74

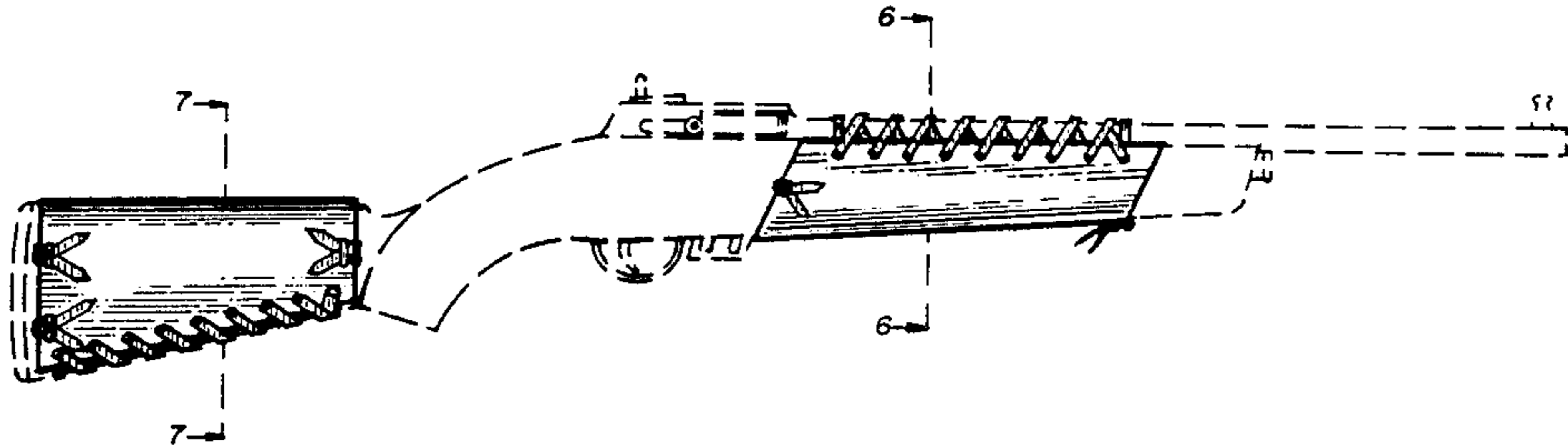
*Primary Examiner*—A. Hugo Word  
*Assistant Examiner*—Doris Clark  
*Attorney, Agent, or Firm*—Stephen D. Carver

[57] **CLAIM**

The ornamental design for a combined gun stock and butt cover, as shown and described.

**DESCRIPTION**

FIG. 1 is a front elevational view of a combined gun stock and butt cover showing my new design, the gun is shown in broken lines for illustrative purpose only and forms no part of the claimed design;  
FIG. 2 is an enlarged, plan view of the exterior of the butt cover portion thereof in an open position;  
FIG. 3 is an enlarged, plan view of the interior thereof;  
FIG. 4 is an enlarged, plan view of the exterior of the stock cover portion in an open position;  
FIG. 5 is an enlarged, plan view of the interior thereof;  
FIG. 6 is an enlarged, sectional view taken generally along line 6—6 of FIG. 1;  
FIG. 7 is an enlarged, sectional view taken generally along line 7—7 of FIG. 1;  
FIG. 8 is an enlarged, top plan view of the stock cover portion in a closed position;  
FIG. 9 is an enlarged, bottom plan view thereof;  
FIG. 10 is an enlarged bottom plan view of the butt cover portion in a closed position; and,  
FIG. 11 is an enlarged top plan view thereof.



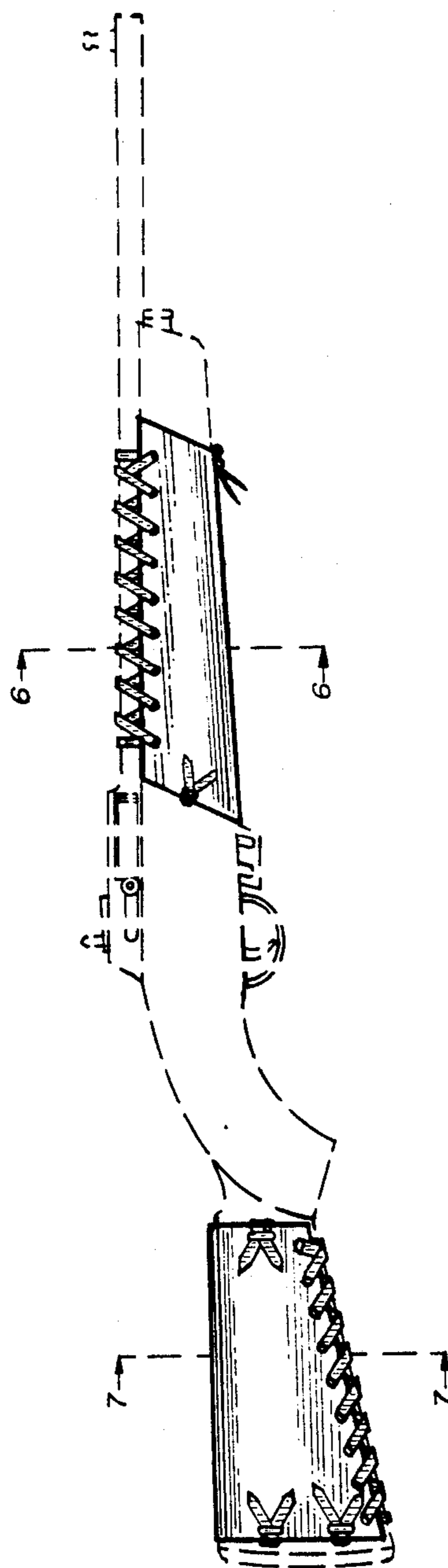


FIG.1

FIG. 2

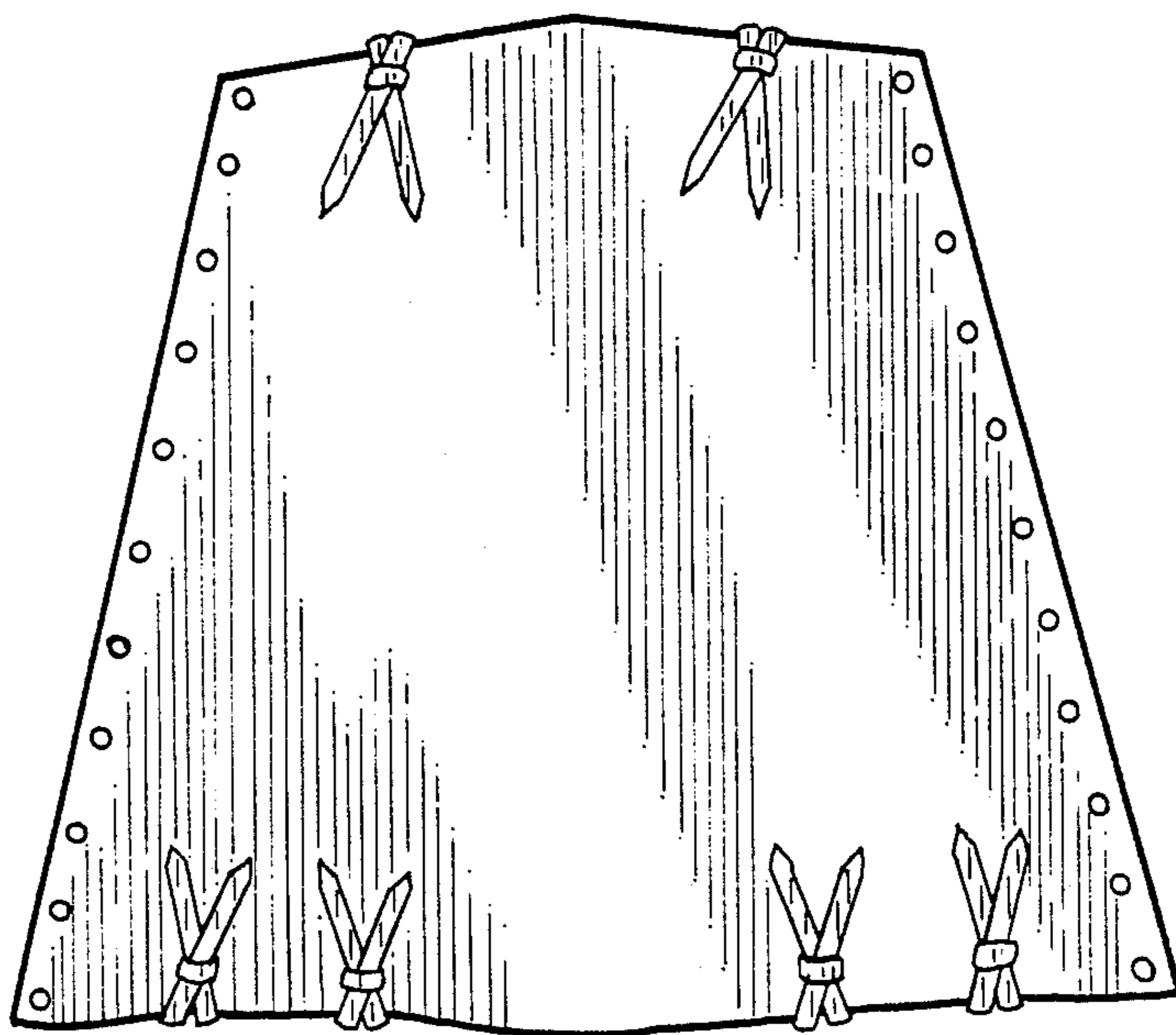
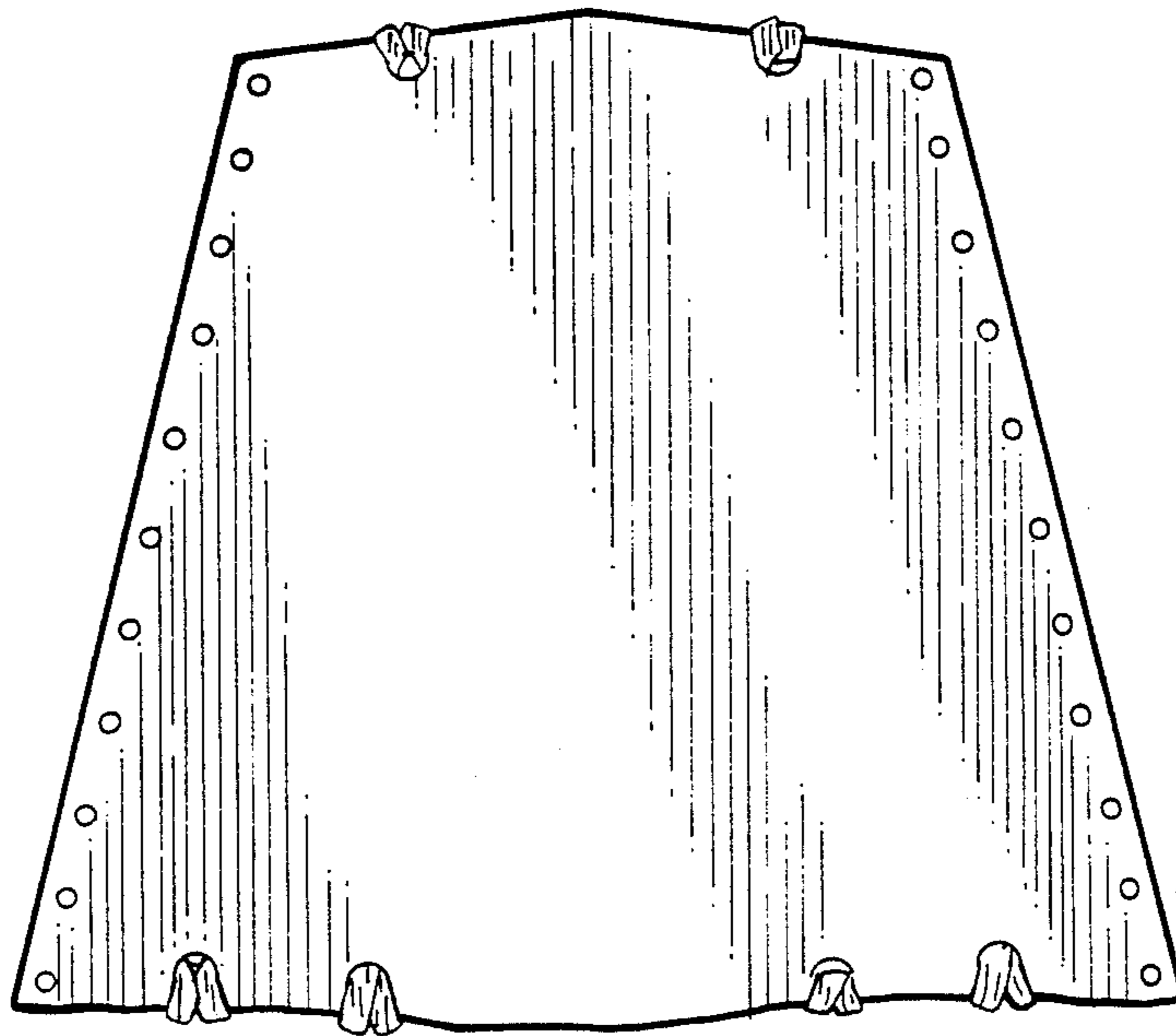


FIG. 3



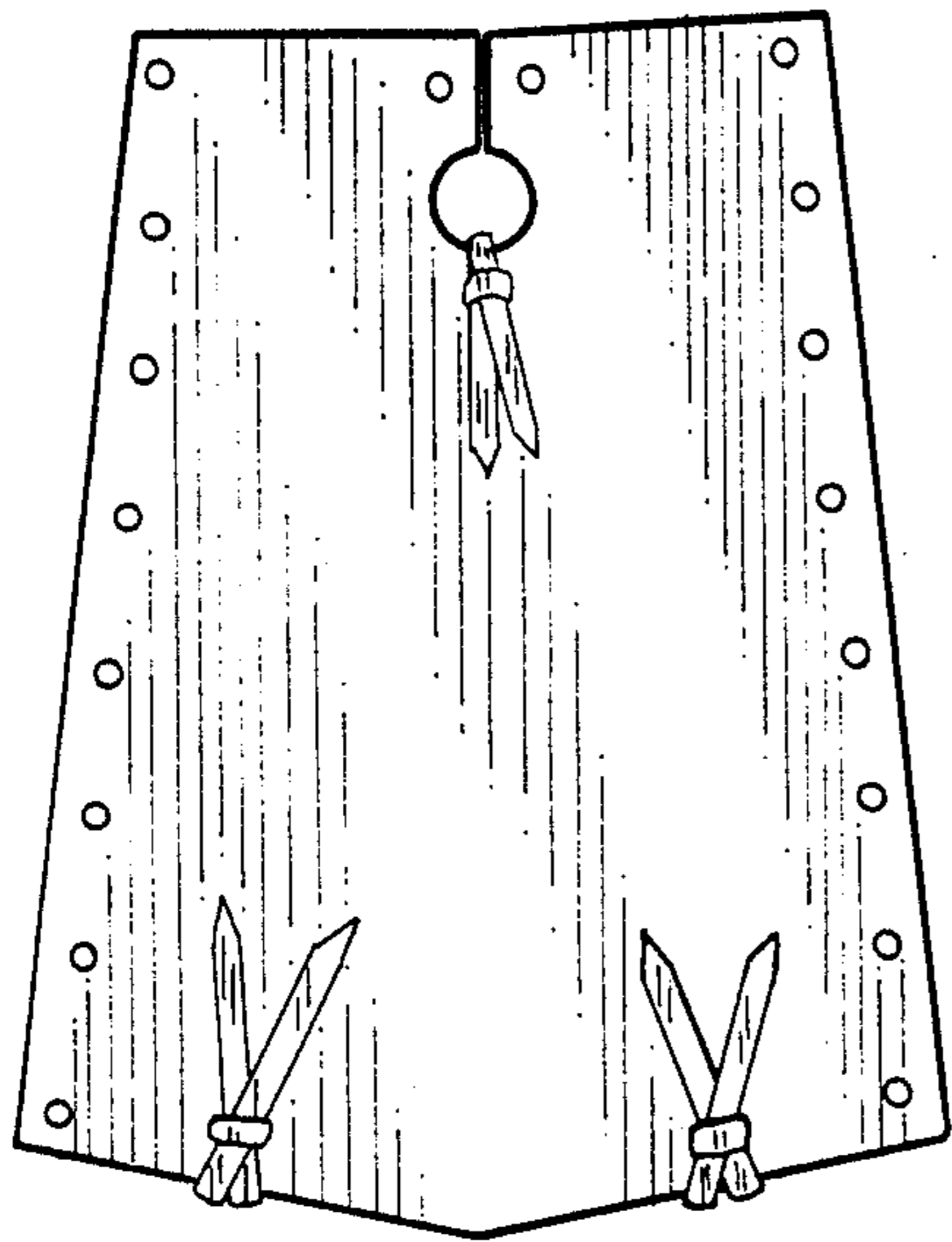


FIG. 4

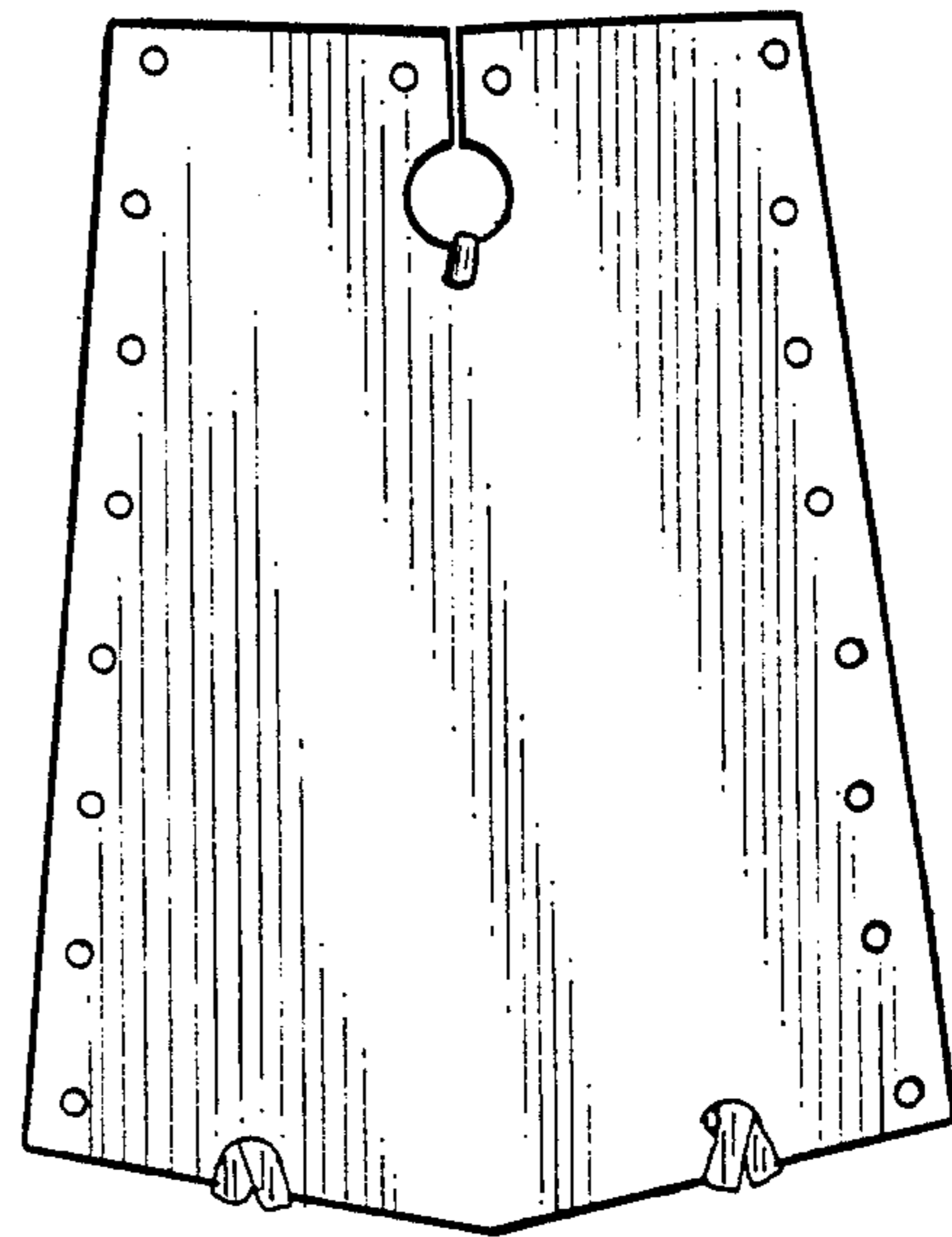


FIG. 5

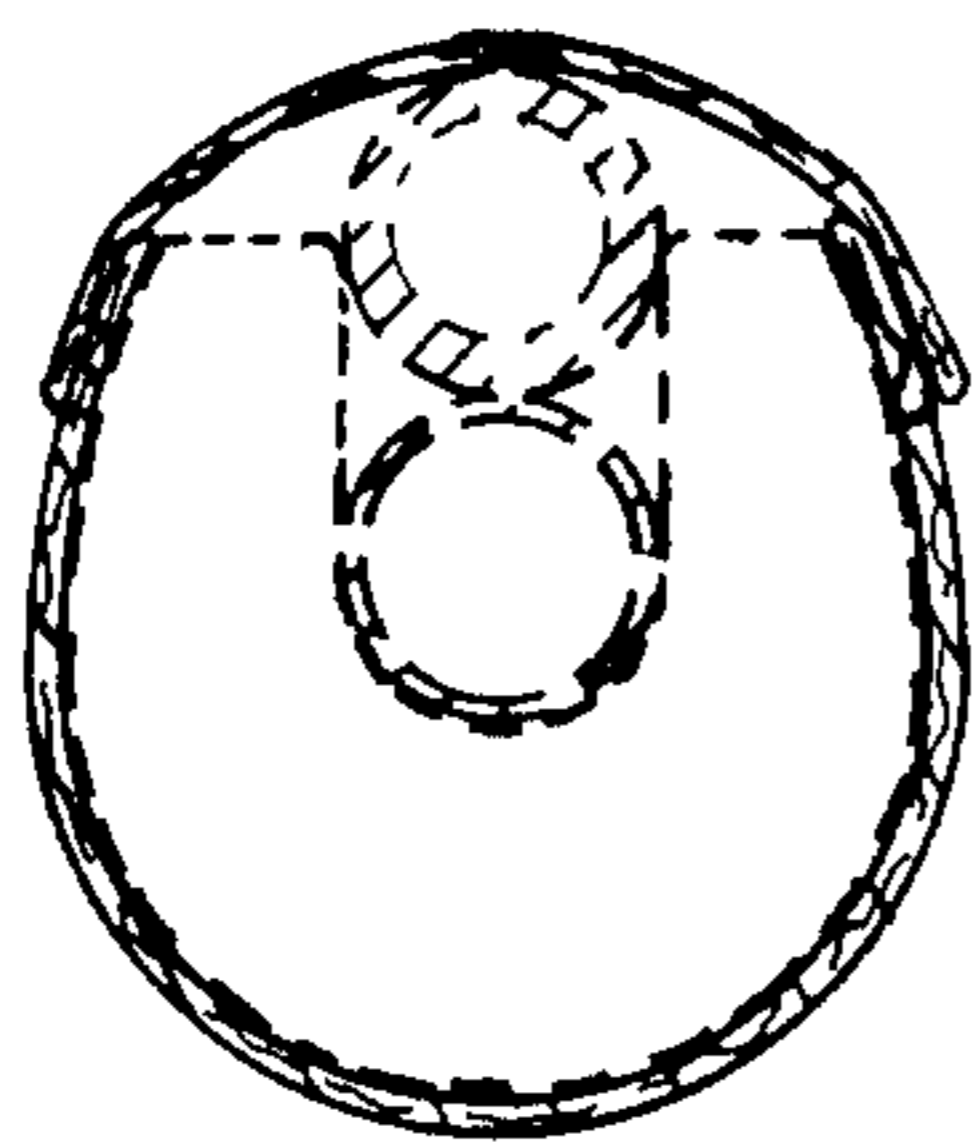


FIG. 6

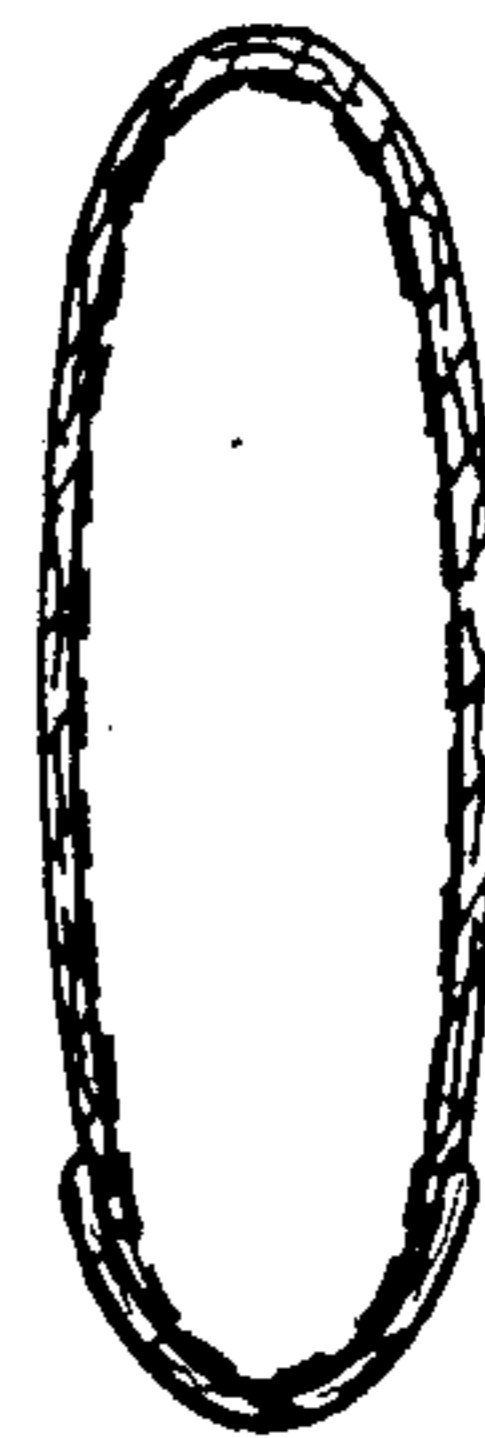


FIG. 7

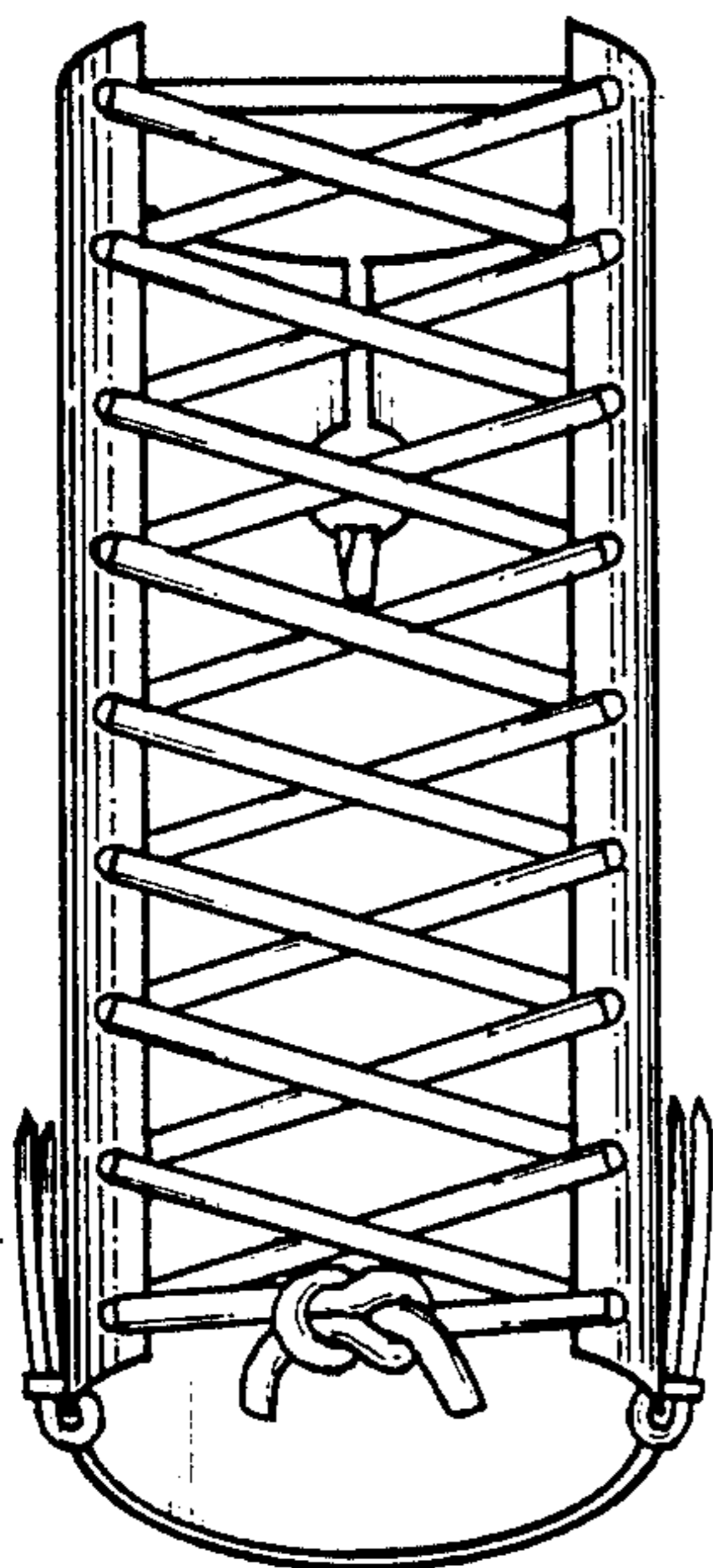


FIG. 8

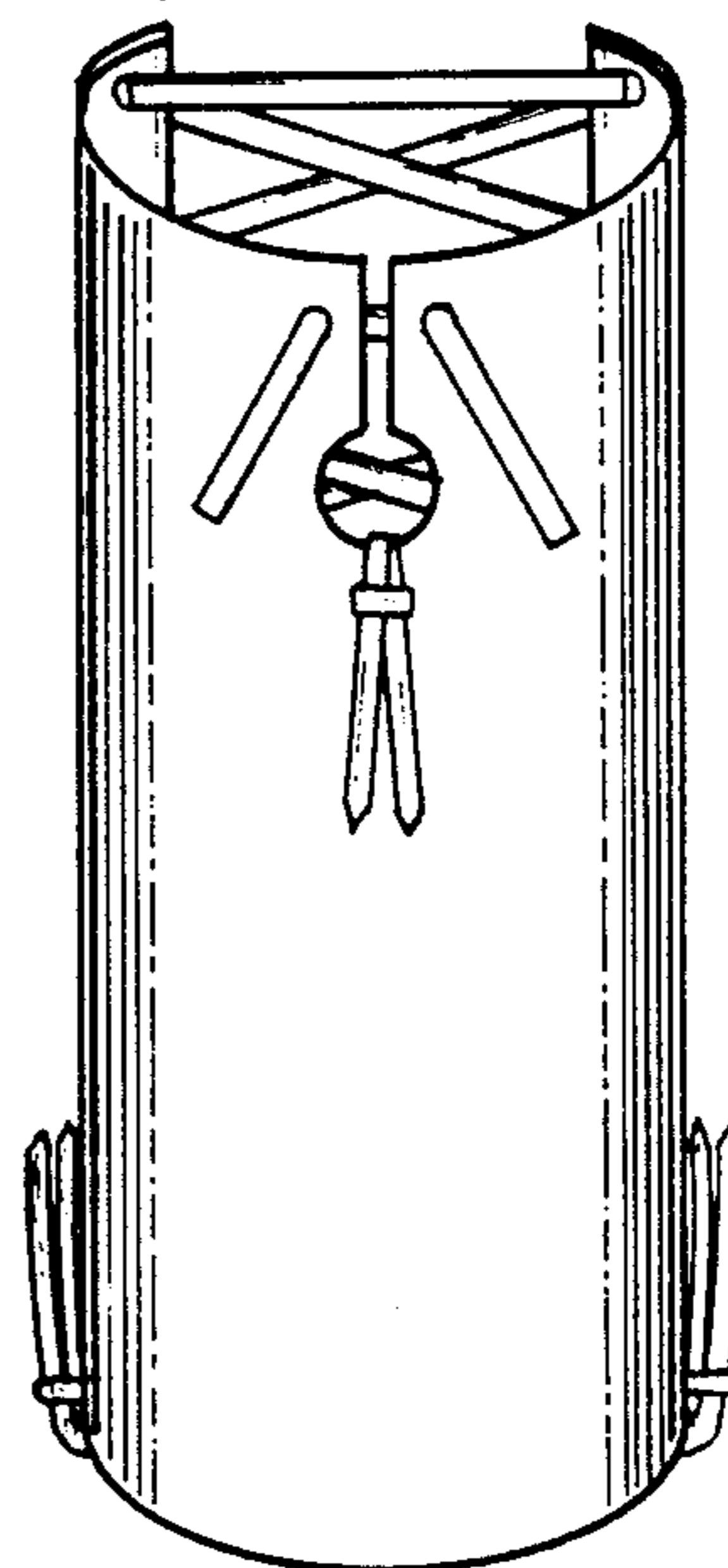


FIG. 9

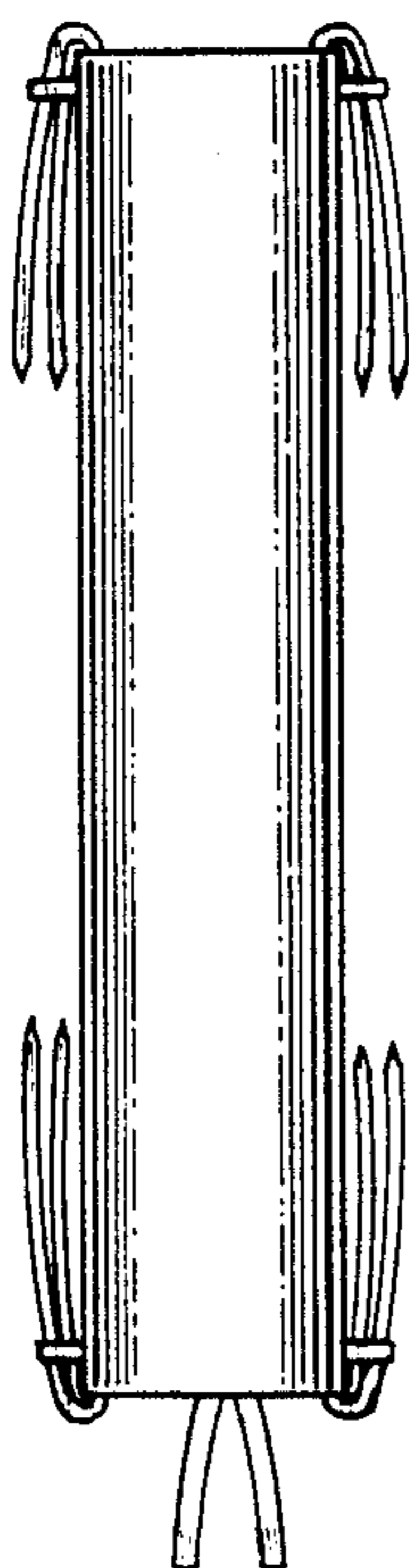


FIG. 10

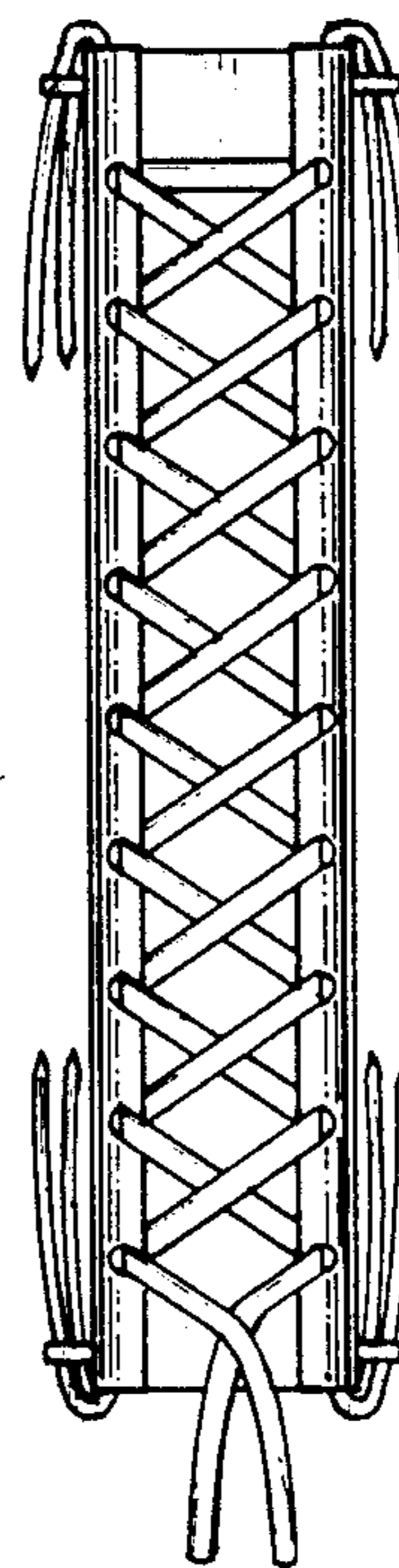


FIG. 11