

[54] **FISH HOOK REMOVER**

[76] **Inventor: Rudy Monsen, P.O. Box 254,
Altamont, Utah 84001**

[**] **Term: 14 Years**

[21] **Appl. No.: 153,794**

[22] **Filed: Feb. 8, 1988**

[52] **U.S. Cl. D22/149**

[58] **Field of Search D22/149, 134; 43/53.5**

[56] **References Cited**

U.S. PATENT DOCUMENTS

2,695,471	11/1954	Imberti	43/53.5
2,932,117	4/1960	Wear	43/53.5
2,972,205	2/1961	Wear et al.	43/53.5
3,680,248	8/1972	Wilkinson	43/53.5
4,014,131	3/1977	Bendik	43/53.5

4,590,702 5/1986 Chestnutt 43/53.5

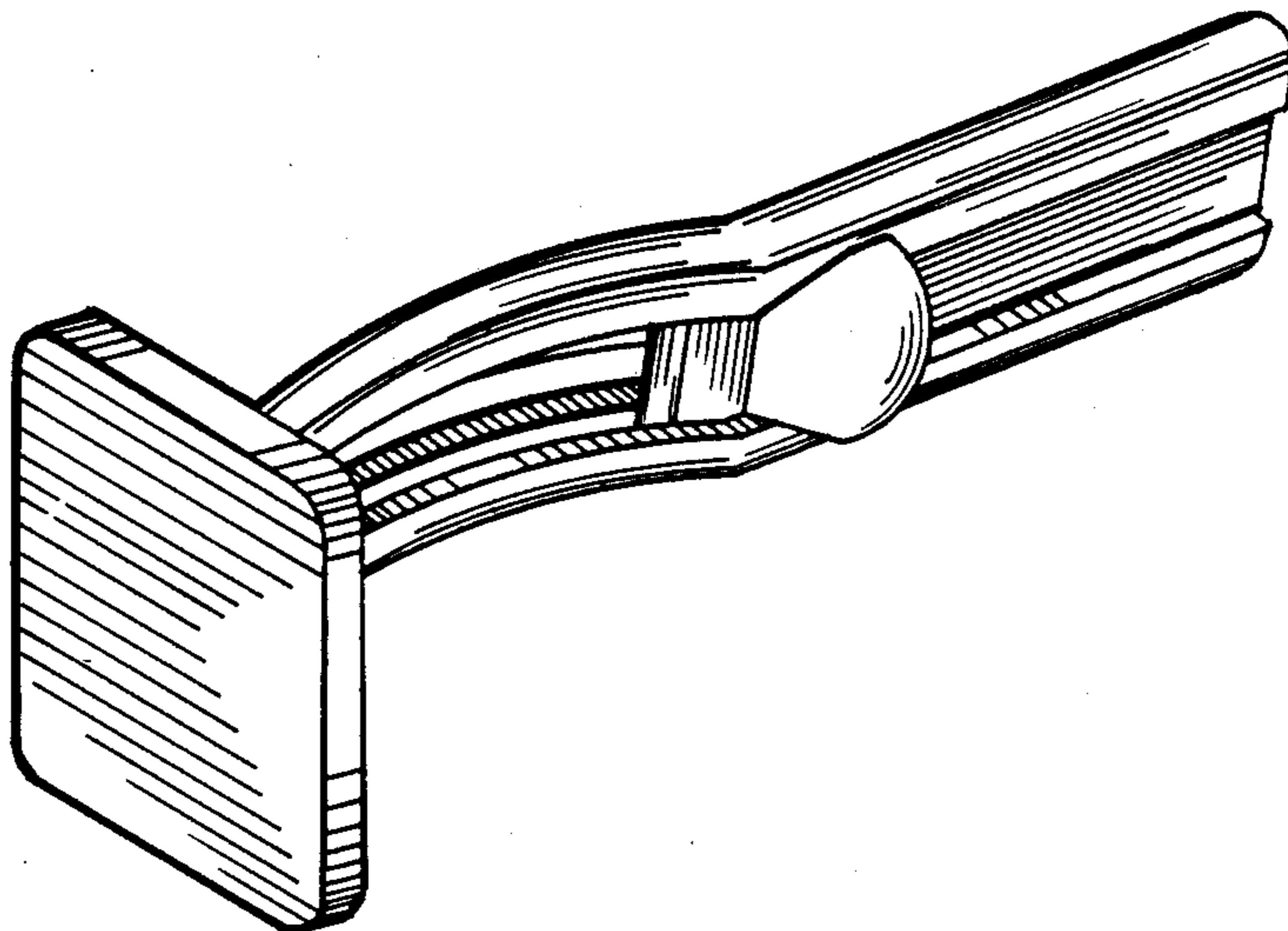
Primary Examiner—A. Hugo Word
Assistant Examiner—Doris V. Coles
Attorney, Agent, or Firm—Jerry T. Kearns

[57] **CLAIM**

The ornamental design for a fish hook remover, as shown and described.

DESCRIPTION

FIG. 1 is a front elevational view of a fish hook remover showing my new design;
FIG. 2 is a rear elevational view thereof;
FIG. 3 is a left side elevational view thereof;
FIG. 4 is a right side elevational view thereof;
FIG. 5 is a top plan view thereof;
FIG. 6 is a bottom plan view thereof; and,
FIG. 7 is a perspective view thereof.



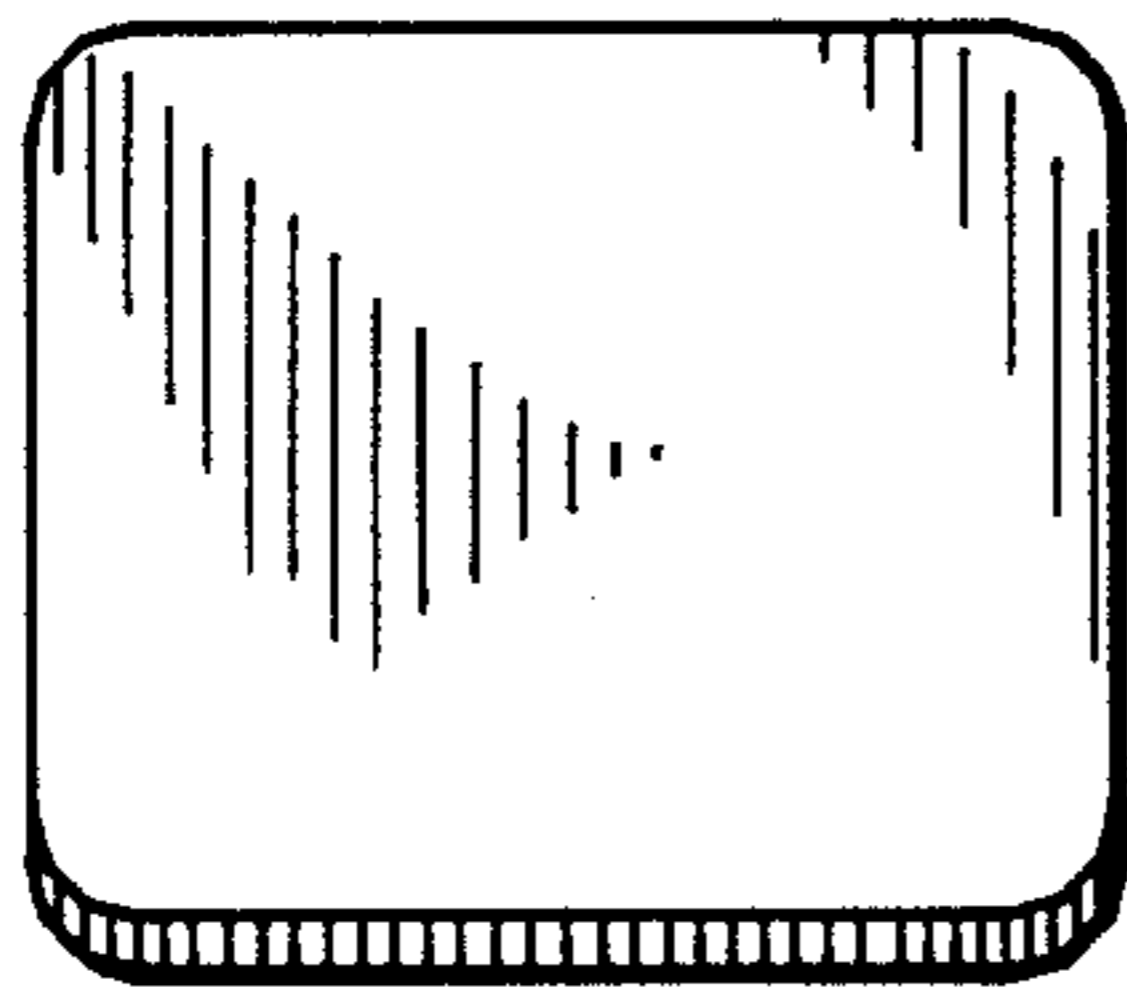


Fig. 1

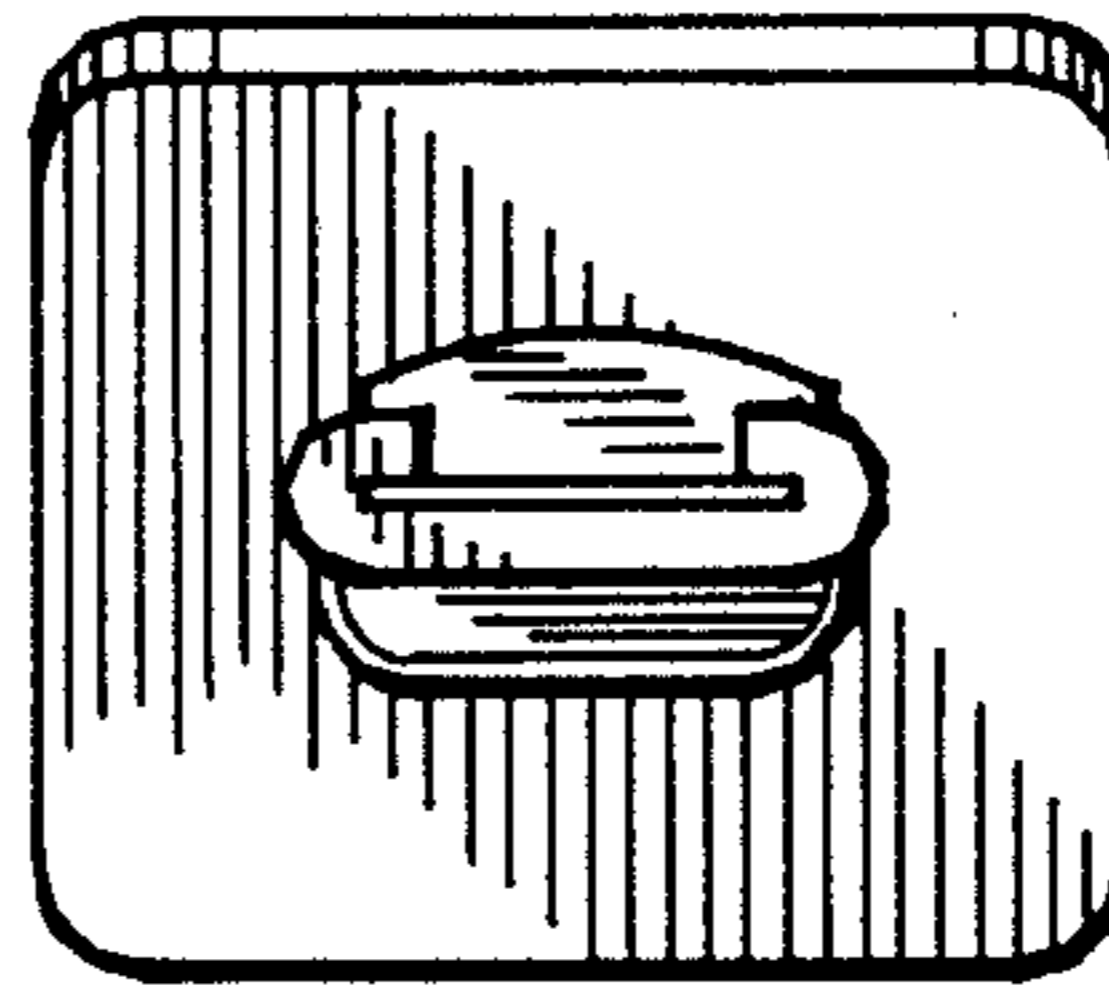


Fig. 2

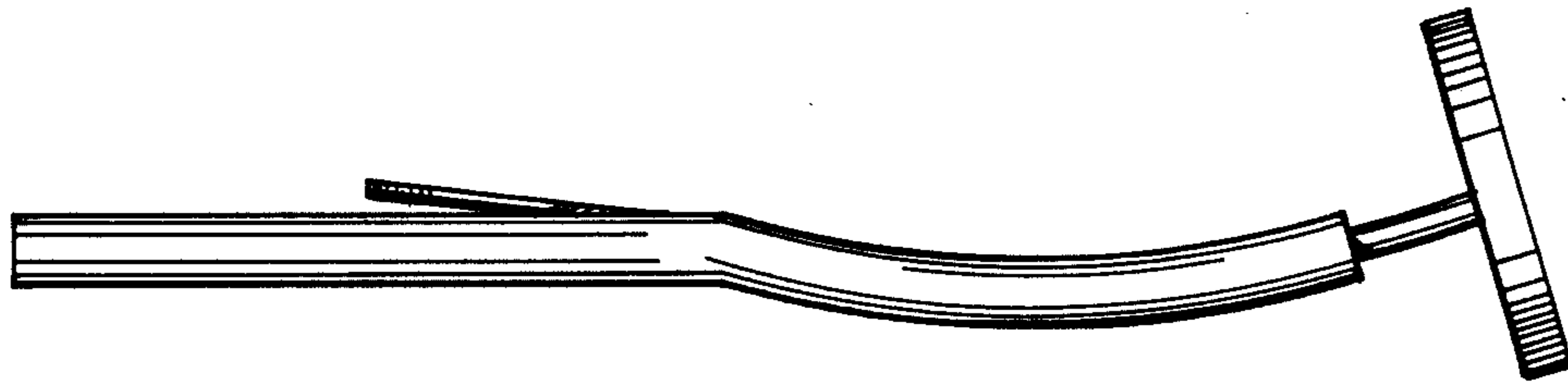


Fig. 3

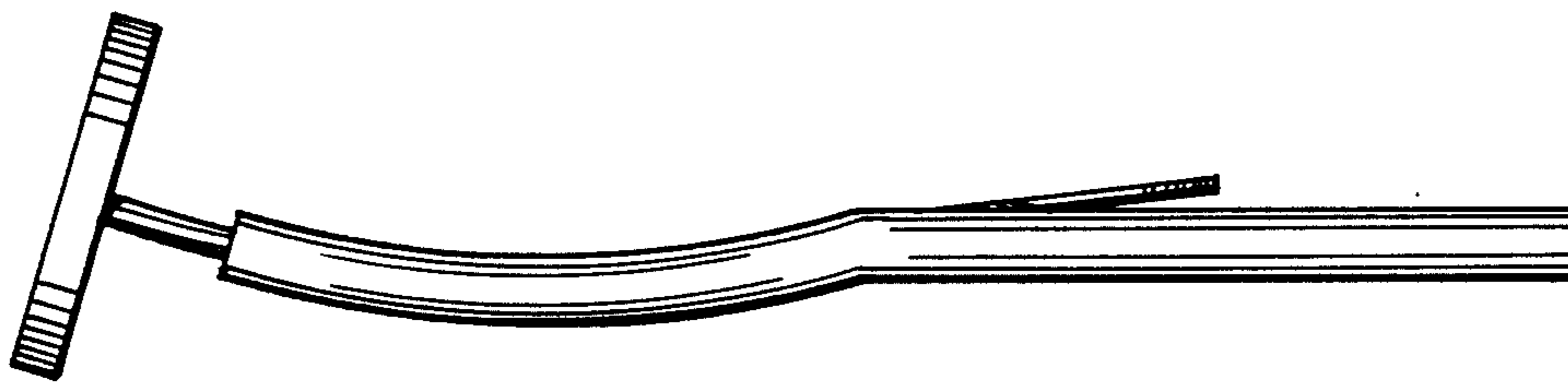


Fig. 4

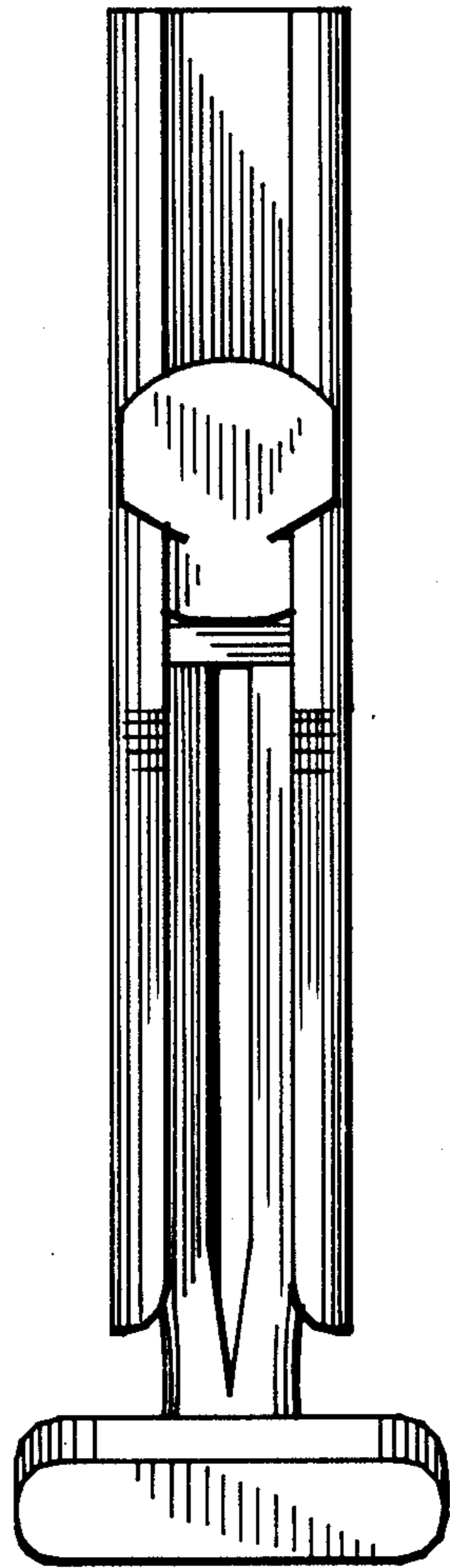


Fig. 5

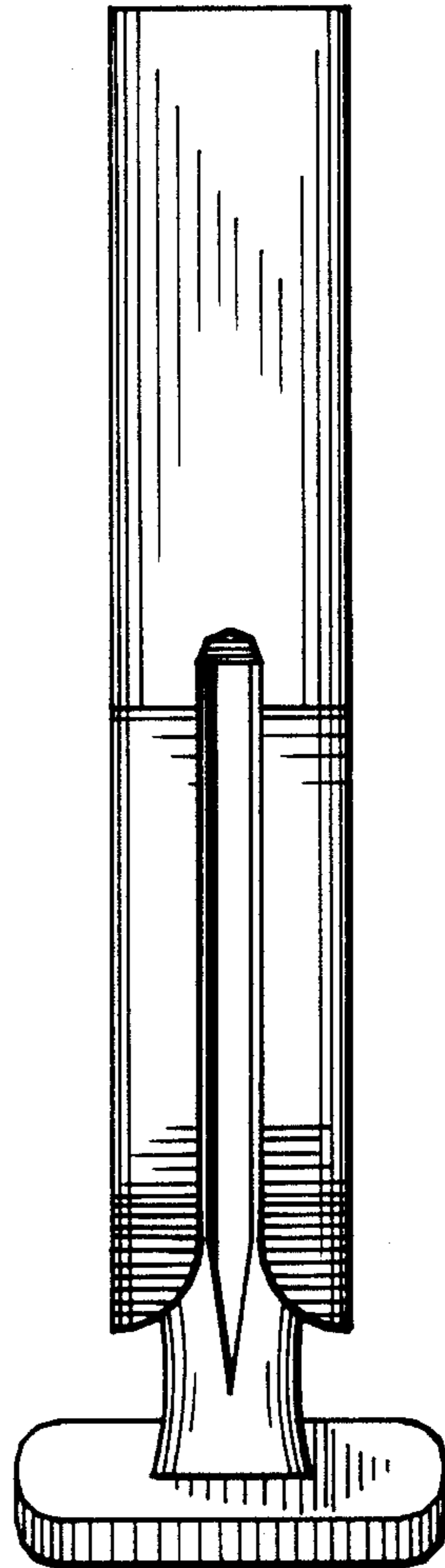


Fig. 6

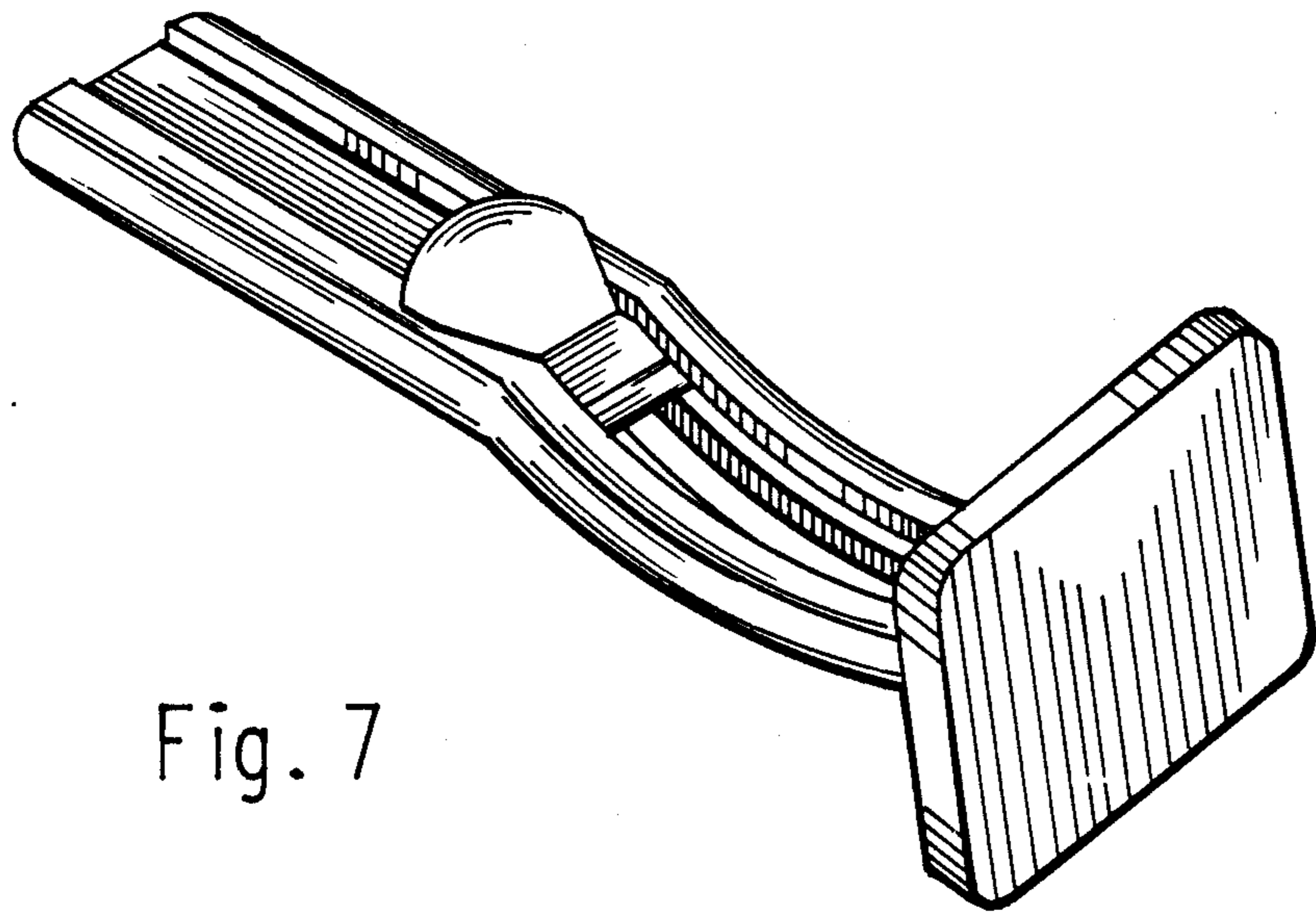


Fig. 7