

[54] **MOUNTABLE GOLF CLUB SHAFT INDICATOR**

[76] **Inventor: Glenn F. Cates, 2000 Hall Dr., Fayetteville, Tenn. 37334**

[**] **Term: 14 Years**

[21] **Appl. No.: 107,528**

[22] **Filed: Oct. 13, 1987**

[52] **U.S. CL. D21/234**

[58] **Field of Search D21/234, 222; 273/183 D, 183 E, 162 B, 183 D, 194 R, 186 C, 192**

[56] **References Cited**

U.S. PATENT DOCUMENTS

4,167,268 9/1979 Lorang 273/183 E

FOREIGN PATENT DOCUMENTS

567546 of 1958 Canada 273/183 D

Primary Examiner—Bernard Ansher
Assistant Examiner—David Jeo
Attorney, Agent, or Firm—Phillips & Beumer

[57] **CLAIM**

The ornamental design for a mountable golf club shaft indicator, as shown and described.

DESCRIPTION

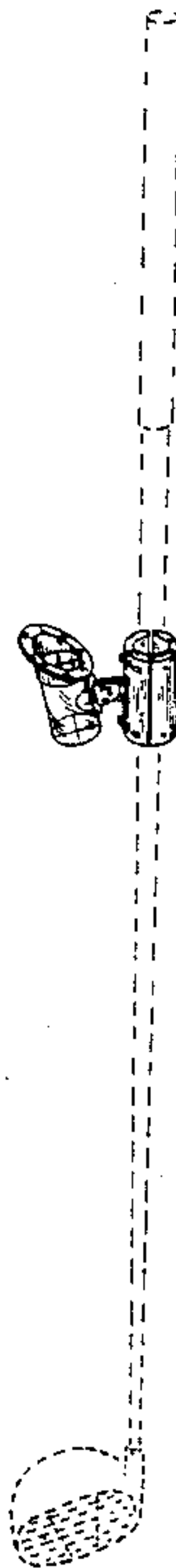
FIG. 1 is a perspective view of a mountable golf club shaft indicator, the broken line golf club is for illustrative purposes;

FIG. 2 is an enlarged rear right-side perspective view thereof;

FIG. 3 is a rear left-side perspective view thereof;

FIG. 4 is a reduced front elevational view thereof; and

FIG. 5 is a rear elevational view thereof.



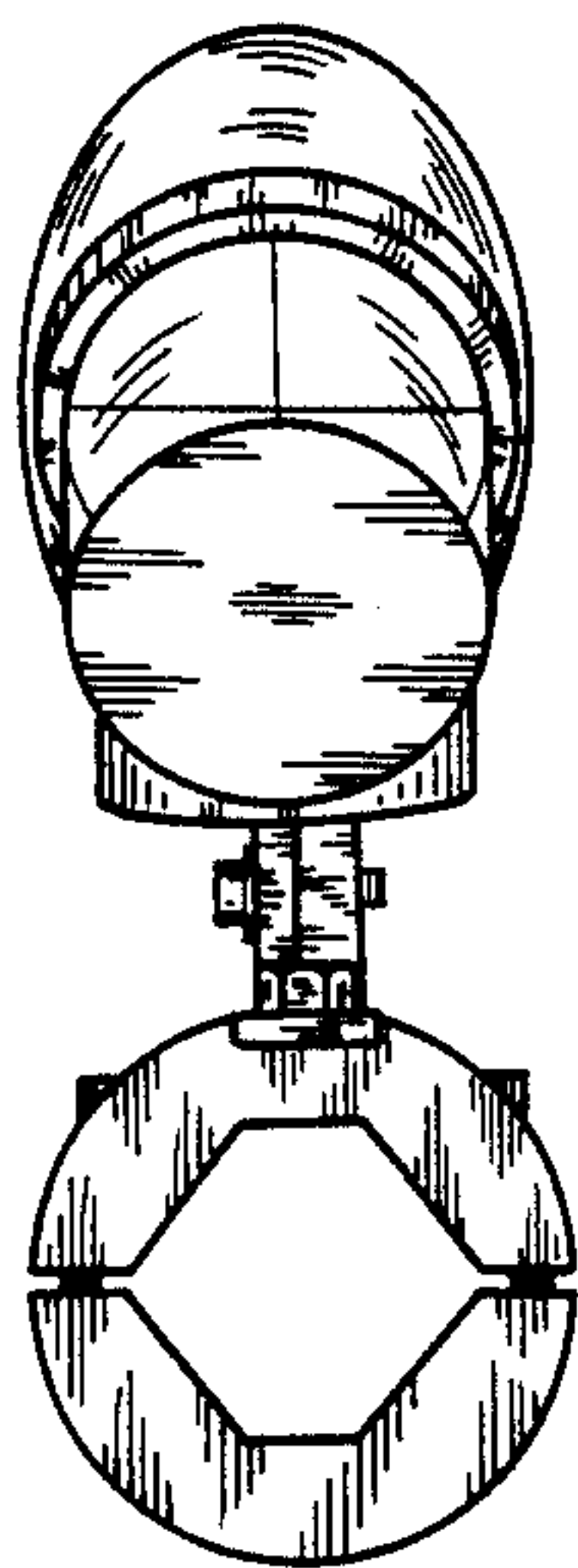


FIG. 4

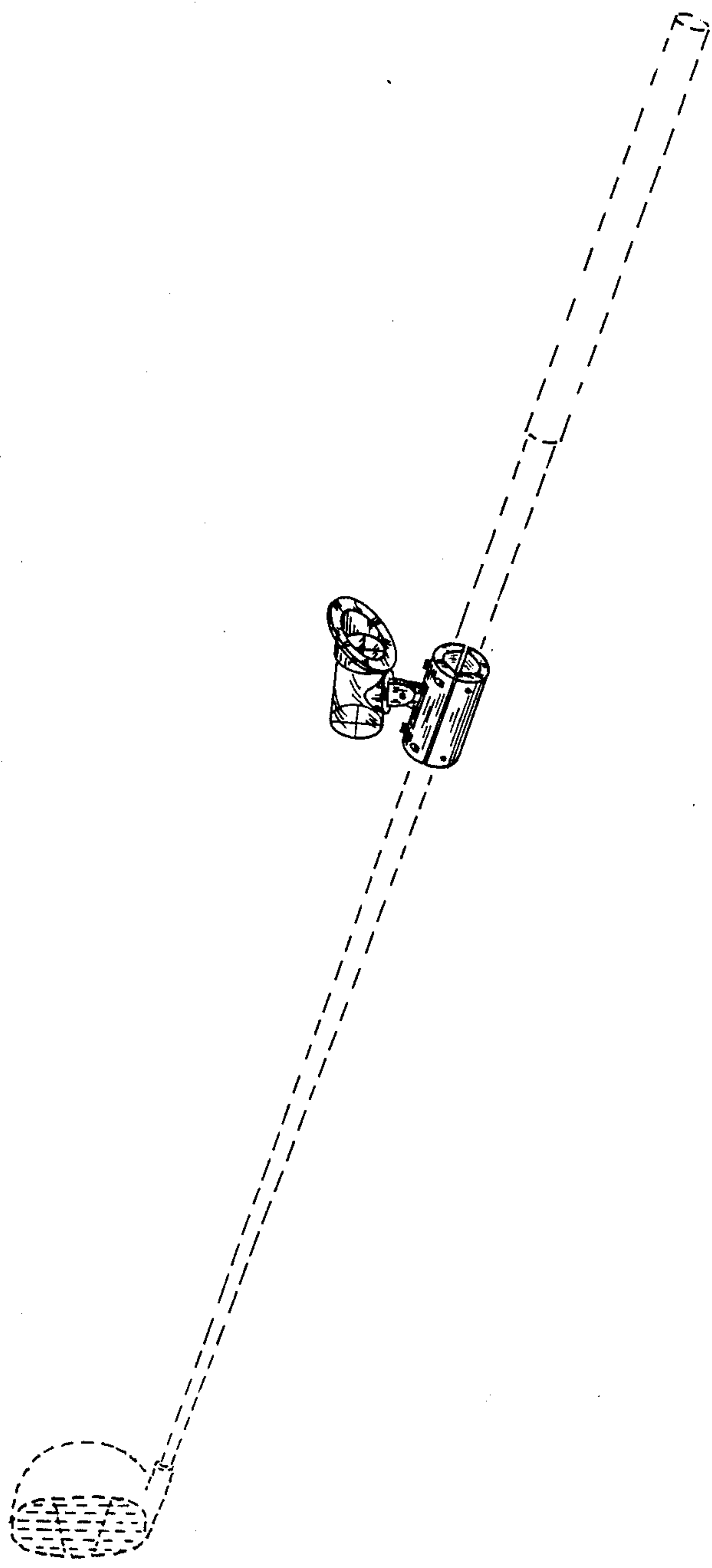


FIG. 1

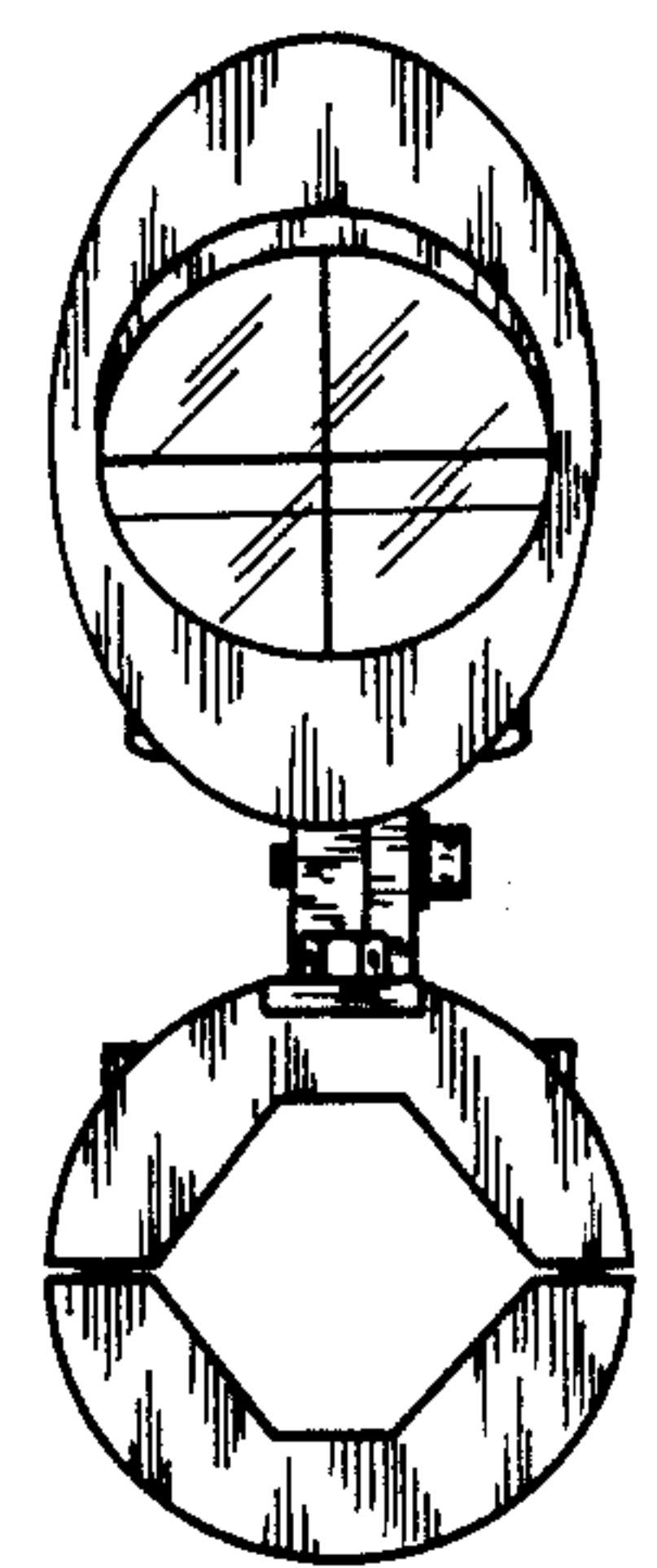


FIG. 5

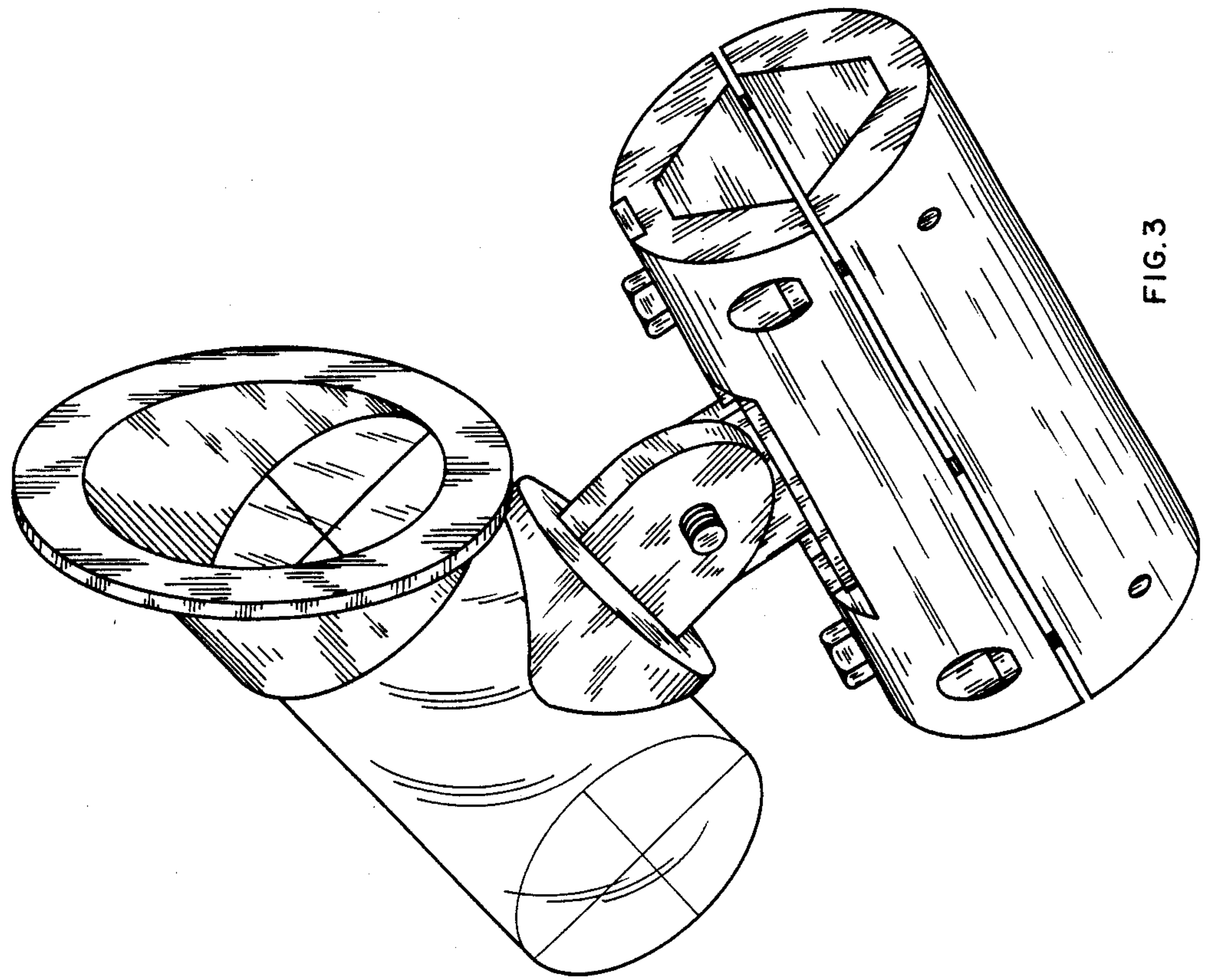


FIG. 3

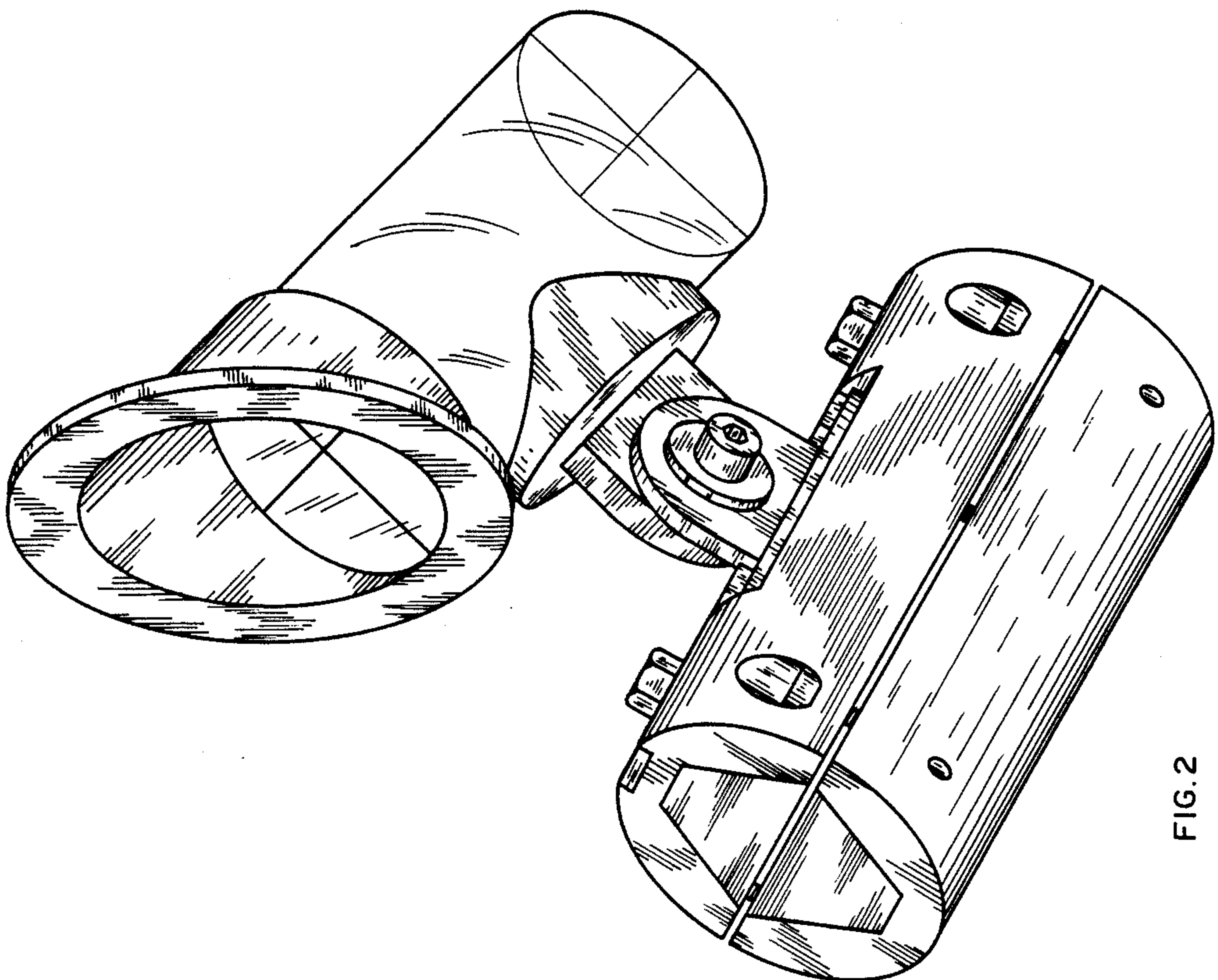


FIG. 2