

[54] **BINDING FOR SNOWBOARD**

[75] **Inventor: Robert Katz, Montreal, Canada**

[73] **Assignee: St-Lawrence Manufacturing, Canada, Inc./Manufactures St-Laurent Inc., Beauport, Canada**

[**] **Term: 14 Years**

[21] **Appl. No.: 238,175**

[22] **Filed: Aug. 30, 1988**

[30] **Foreign Application Priority Data**

Jun. 29, 1988 [CA] Canada 29-06-88-19

[52] **U.S. Cl. D21/230**

[58] **Field of Search 280/617, 14.2, 22.1, 280/28.16; D21/224-231**

[56] **References Cited**

U.S. PATENT DOCUMENTS

3,910,591 10/1975 Salomon 280/617

4,058,326 11/1977 Faulin 280/617

4,741,550 5/1988 Dennis 280/14.2

FOREIGN PATENT DOCUMENTS

163522 7/1949 Austria 280/617

2592807 1/1986 France 280/14.2

36237 3/1906 Switzerland 280/617

Primary Examiner—Charles A. Rademaker
Attorney, Agent, or Firm—Samuel Meerkreebs

[57] **CLAIM**

The ornamental design for a binding for snowboard, as shown and described.

DESCRIPTION

FIG. 1 is a perspective view of a binding for a snowboard showing my new design;

FIG. 2 is a front elevational view thereof;

FIG. 3 is a side elevational view thereof;

FIG. 4 is a side elevational view taken from the other side thereof;

FIG. 5 is a top plan view thereof;

FIG. 6 is a bottom plan view thereof; and

FIG. 7 is a rear elevational view thereof.

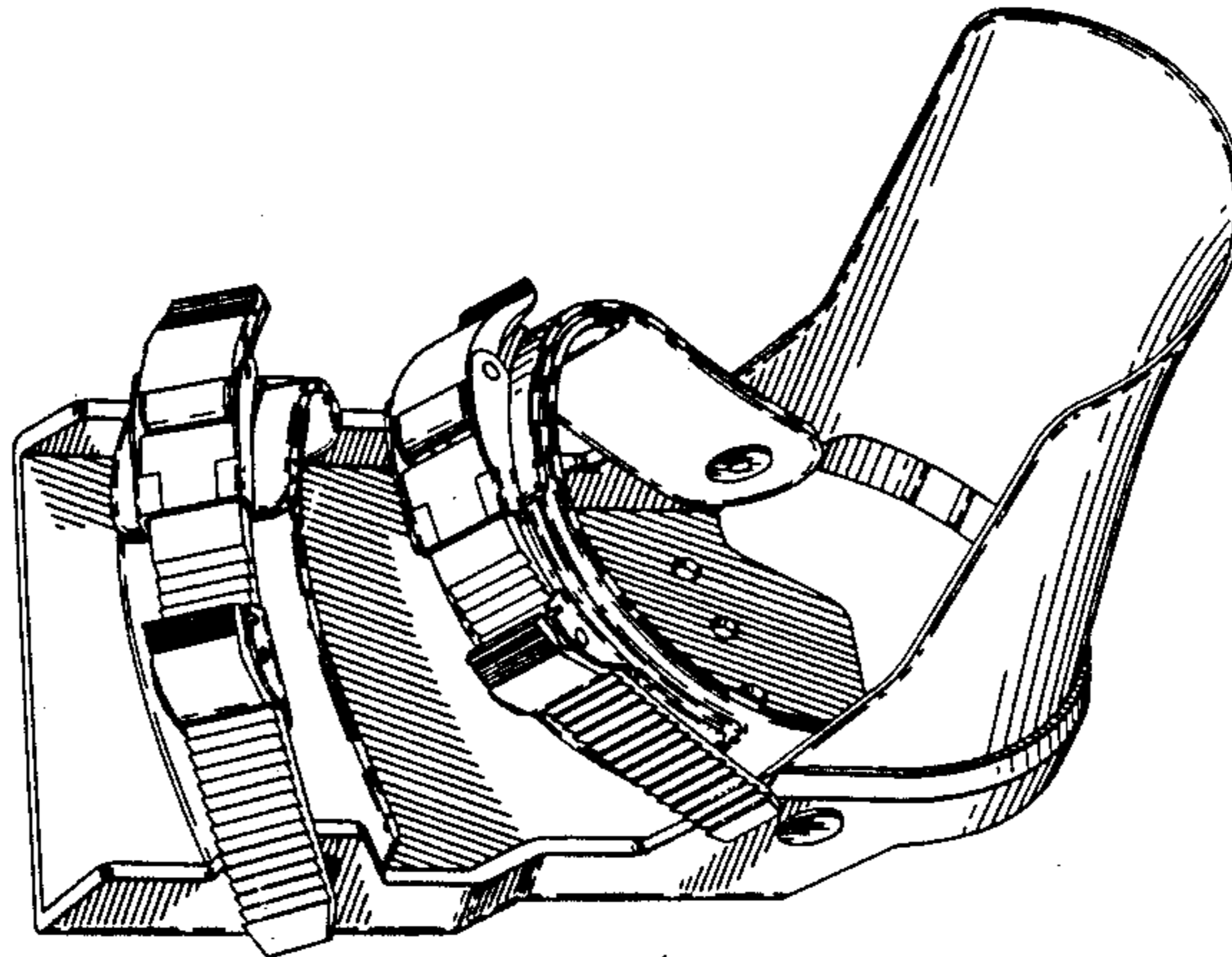


FIG. 1

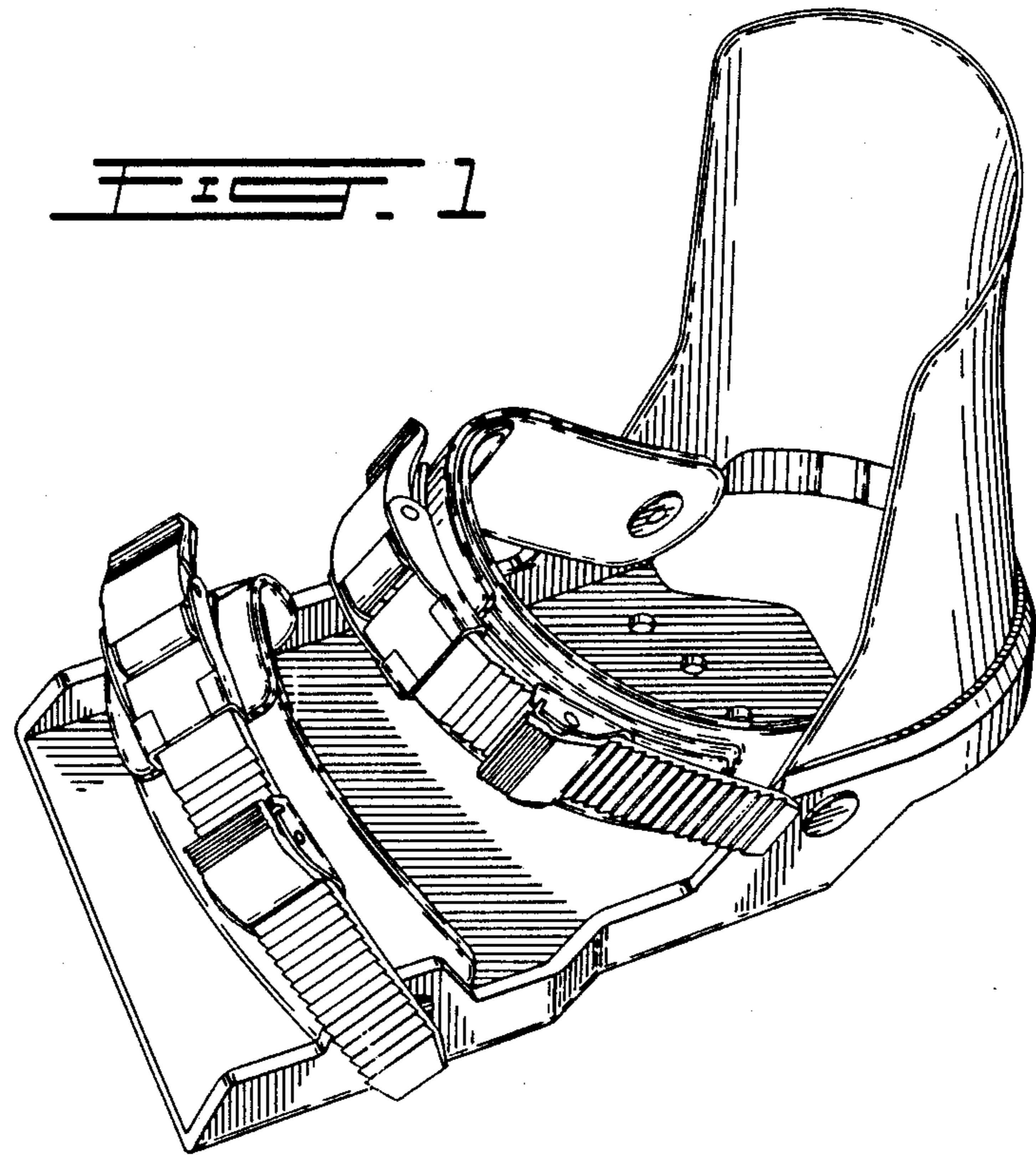


FIG. 2

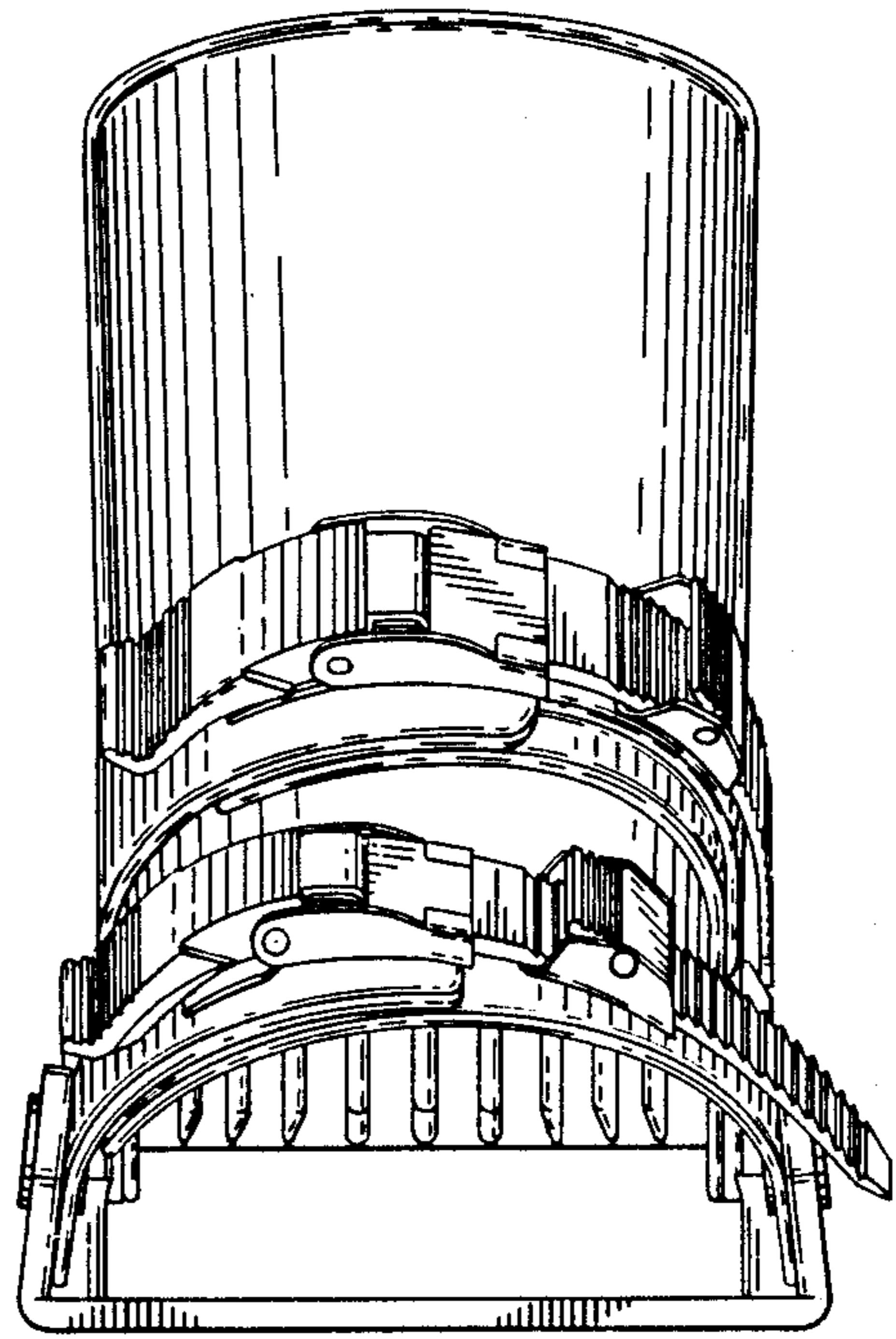


FIG. 3

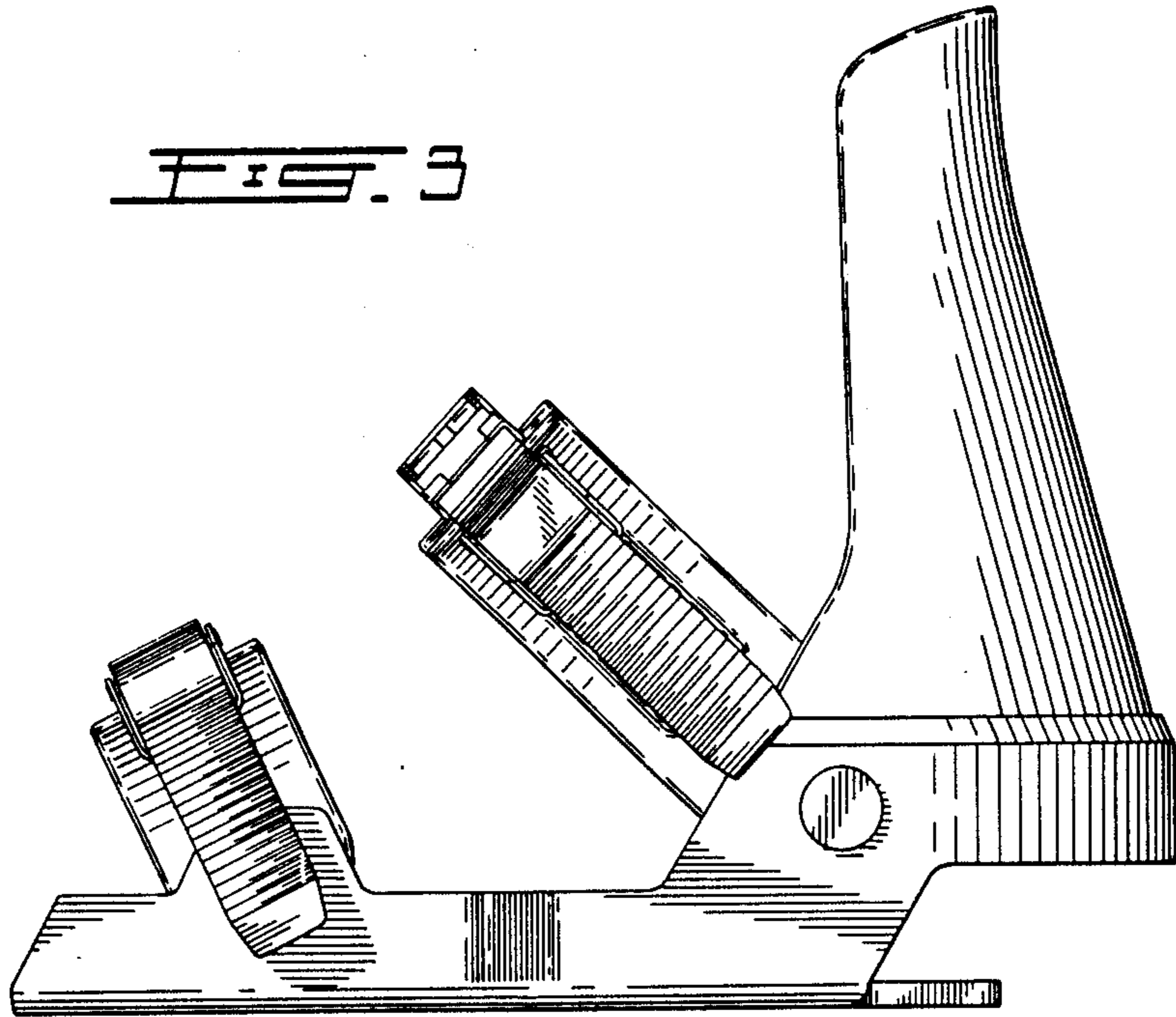


FIG. 4

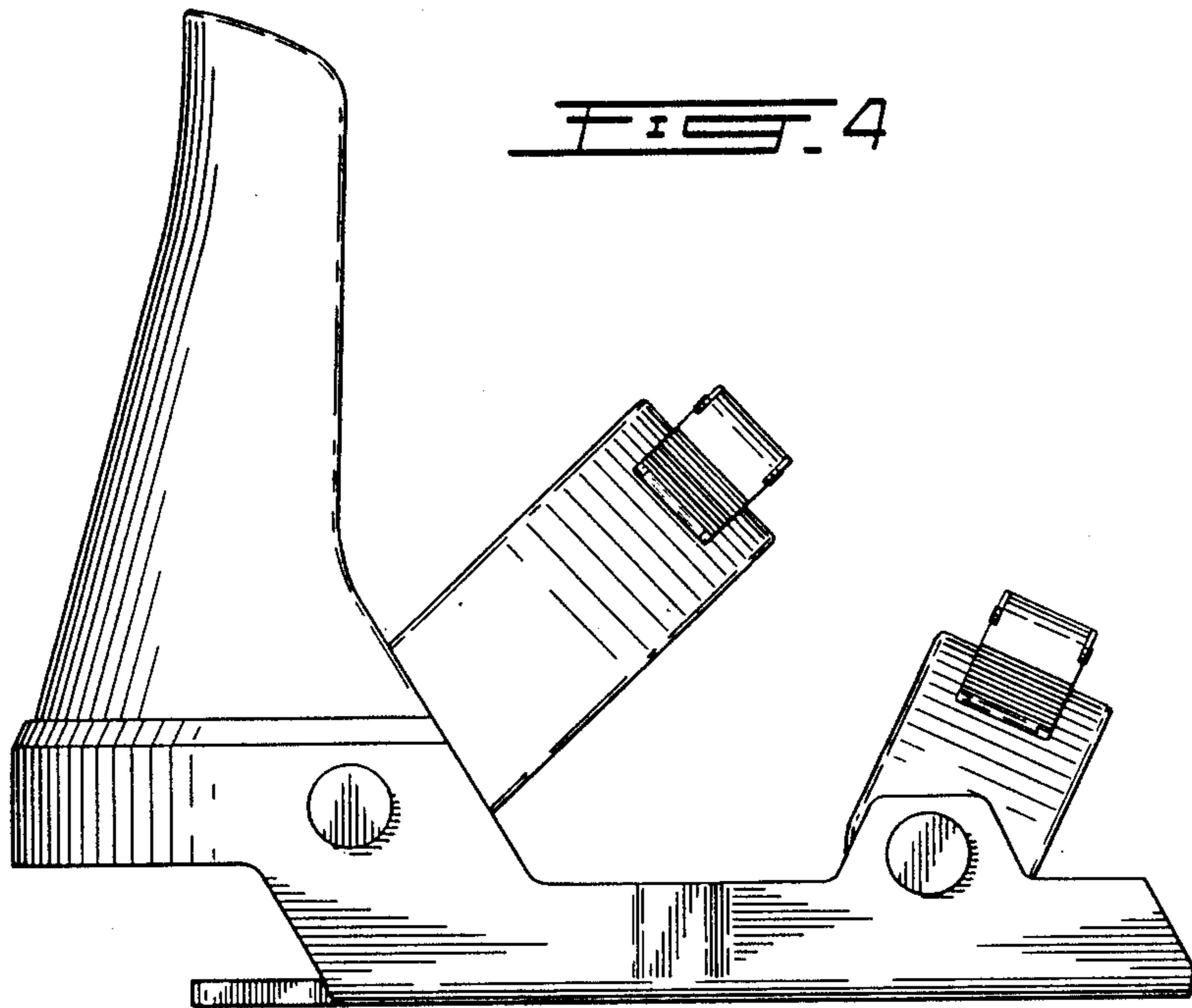


FIG. 5

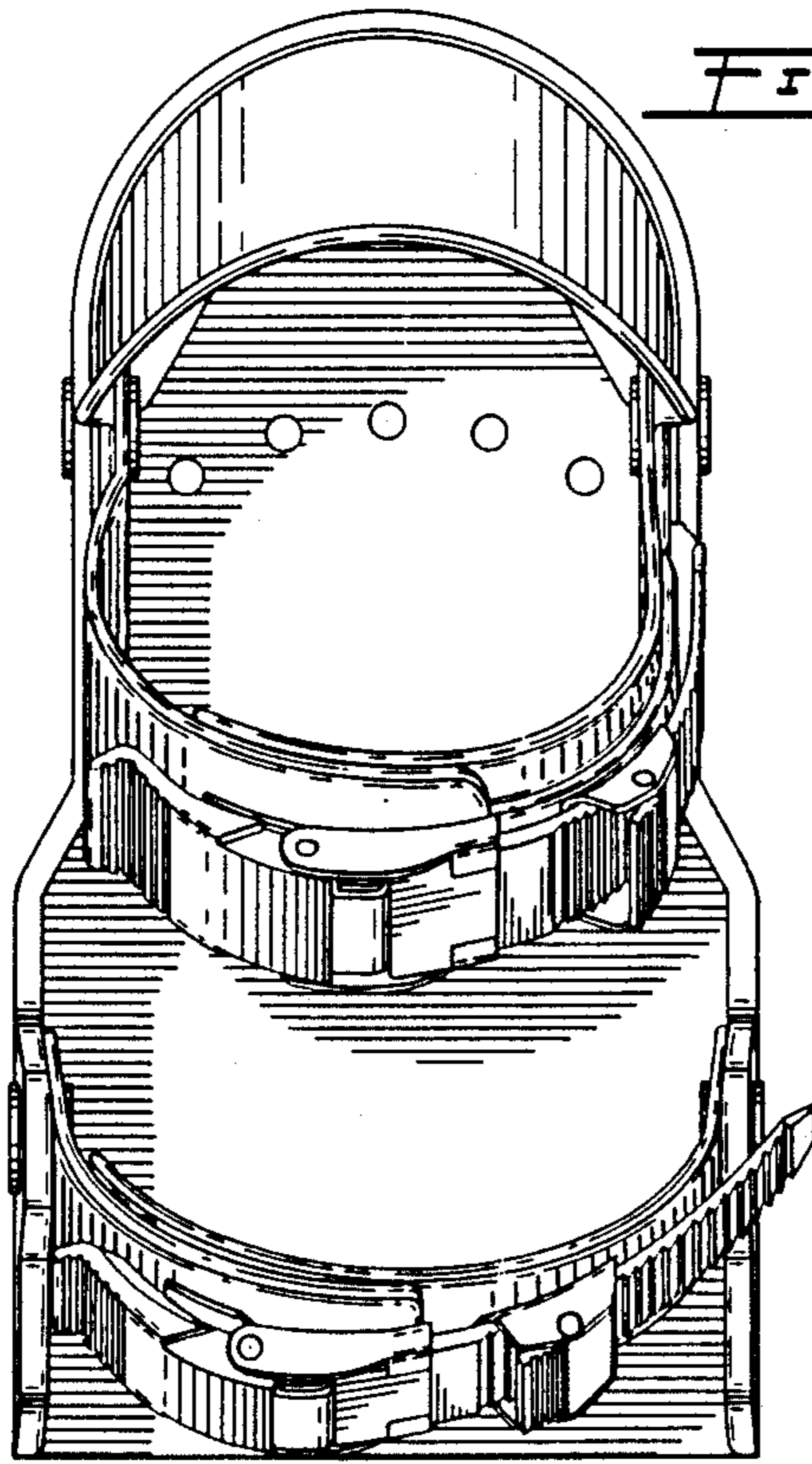


FIG. 6

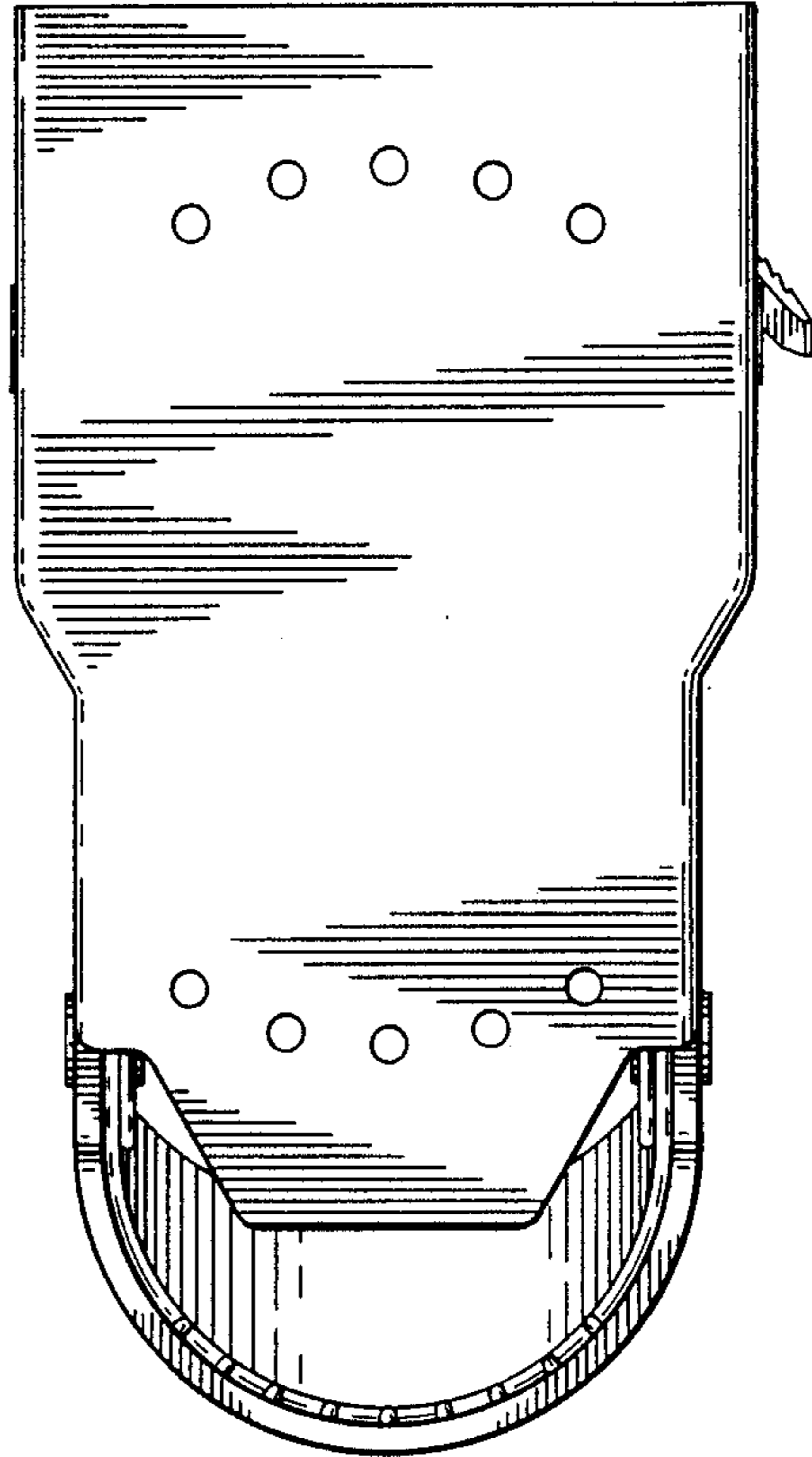


FIG. 7

