

[54] **TOY AUTOMATIC RIFLE**

[76] **Inventor: Alfred H. Kilby, Rte. 3, Box FM75, Tuttle, Okla. 73089**

[**] **Term: 14 Years**

[21] **Appl. No.: 916,419**

[22] **Filed: Oct. 7, 1986**

[52] **U.S. Cl. D21/146**

[58] **Field of Search D21/145, 146, 147; 446/23, 398, 405; D22/103, 104, 105**

[56] **References Cited**

U.S. PATENT DOCUMENTS

- D. 137,169 2/1944 Mangold D21/146
- D. 171,256 1/1954 Hopkins D21/146
- D. 186,387 10/1959 Hirsch D21/146

D. 278,451 4/1985 Makhouljian D21/145

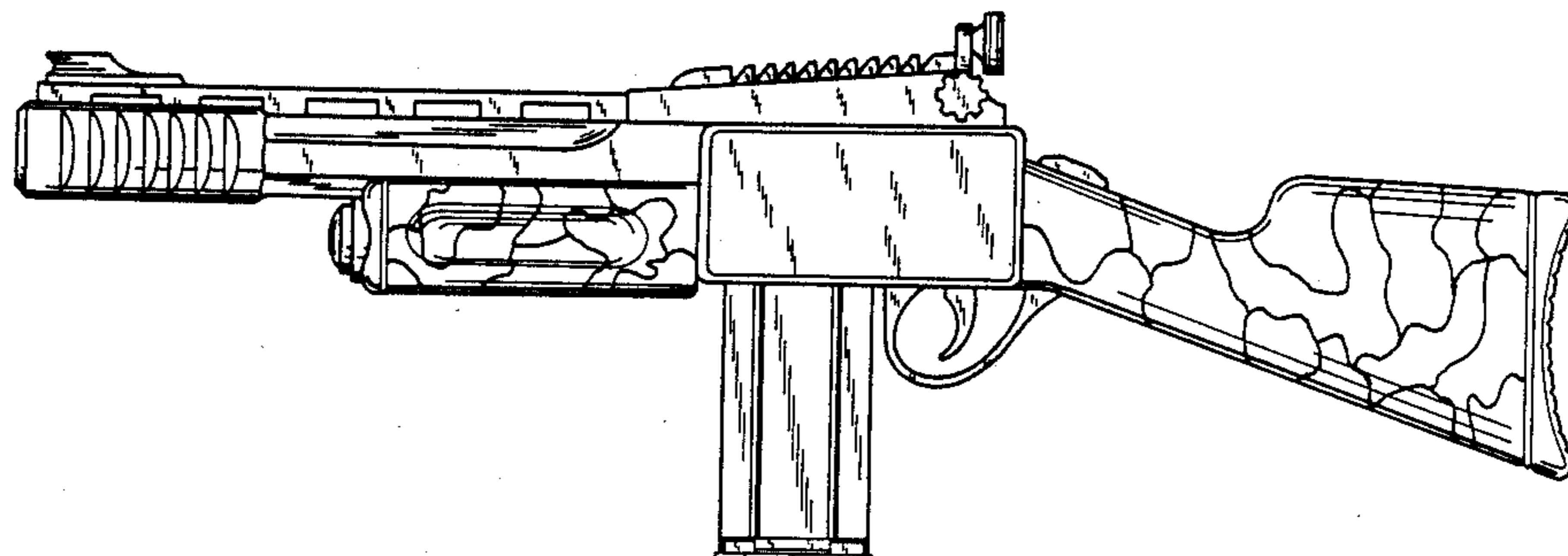
Primary Examiner—Charles A. Rademaker
Attorney, Agent, or Firm—Laney, Dougherty, Hessin & Beavers

[57] **CLAIM**

The ornamental design for a toy automatic rifle, as shown and described.

DESCRIPTION

FIG. 1 is a left side elevational view of a toy automatic rifle showing my new design;
FIG. 2 is a front elevational view thereof;
FIG. 3 is a top plan view thereof;
FIG. 4 is a right side elevational view thereof;
FIG. 5 is a rear elevational view thereof; and,
FIG. 6 is a bottom plan view thereof.



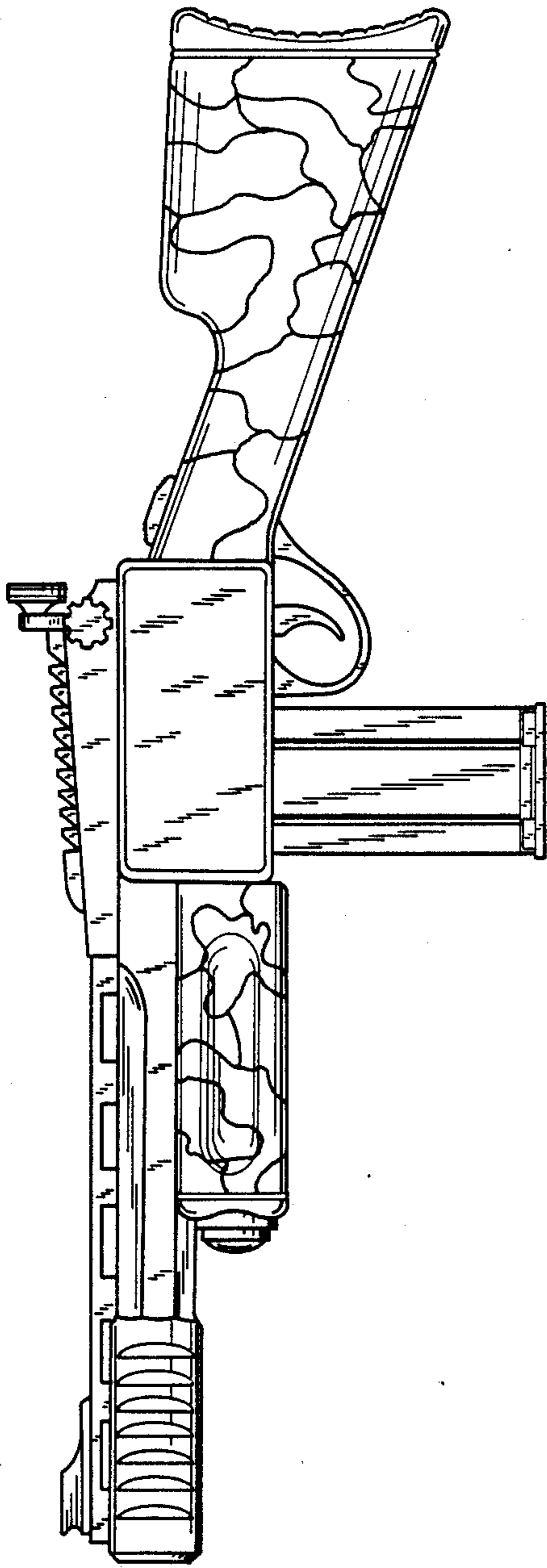


FIG. 1

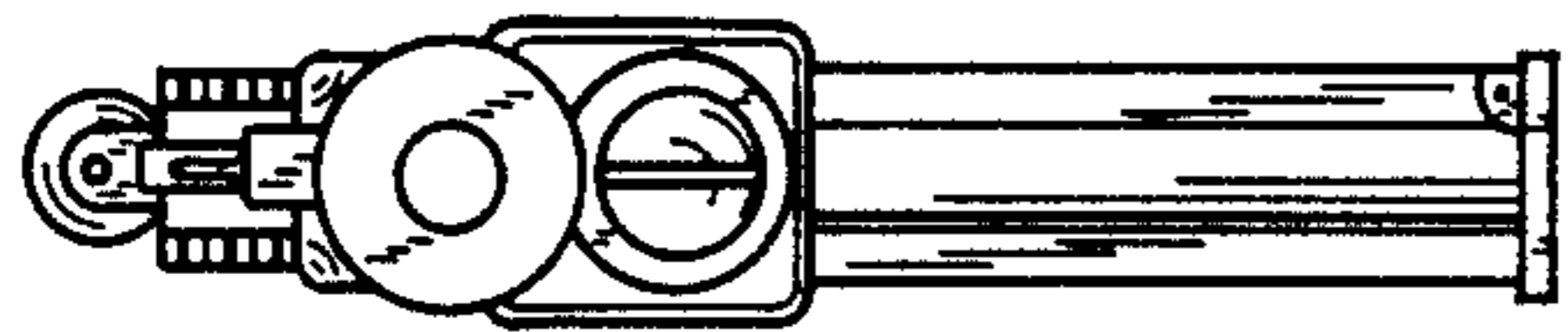


FIG. 2



FIG. 3

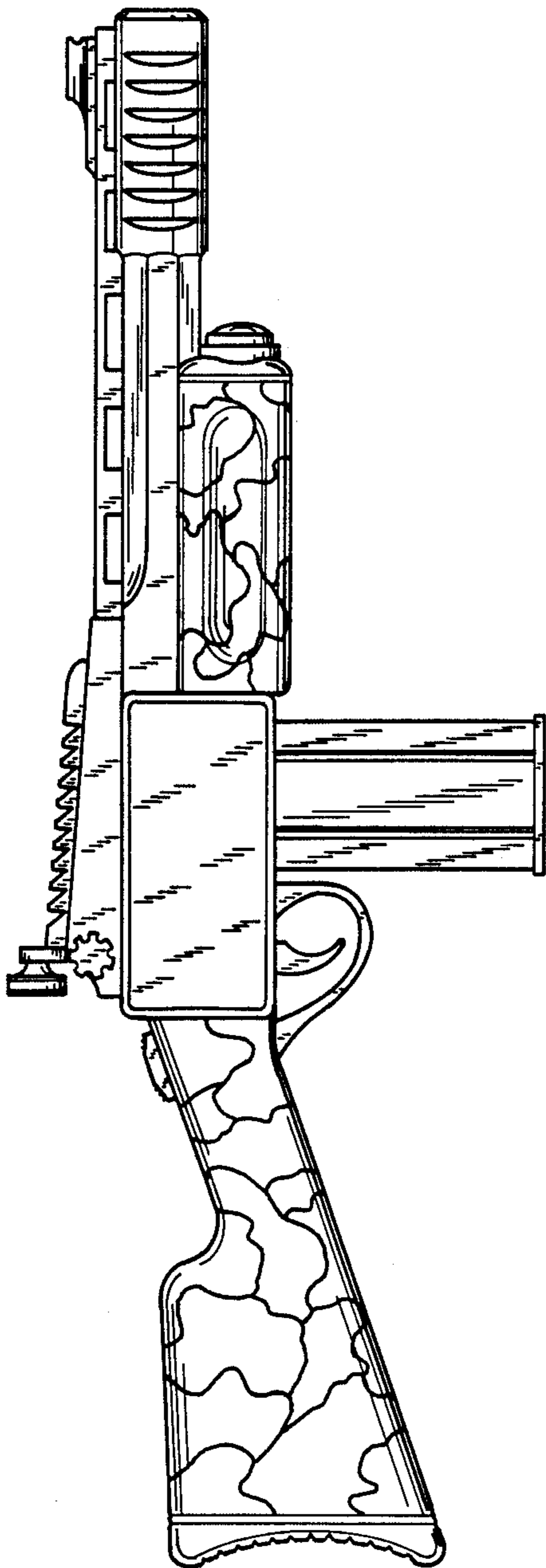


FIG. 4



FIG. 5

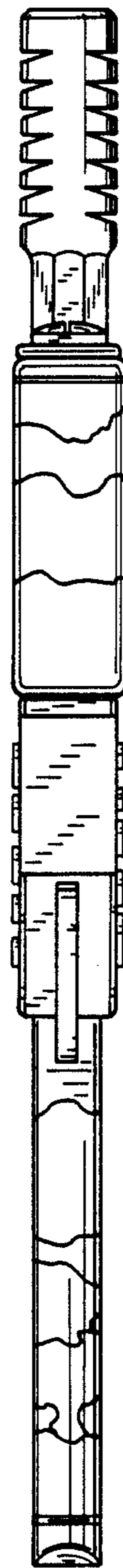


FIG. 6