

[54] RIFLESCOPE OCULAR HOUSING AND POWER ADJUSTMENT RING

[75] Inventor: Sidney D. Moore, Claremont, Calif.

[73] Assignee: Bausch & Lomb Incorporated, Rochester, N.Y.

[**] Term: 14 Years

[21] Appl. No.: 163,462

[22] Filed: Mar. 3, 1988

[52] U.S. Cl. D16/132

[58] Field of Search D16/132, 136; 350/565, 350/562, 560, 563, 564, 567; 33/245, 246, 247, 250

[56] References Cited

U.S. PATENT DOCUMENTS

- D. 191,942 12/1961 Armbruster D16/132
- D. 194,004 11/1962 Hoogesteger et al. D16/132
- D. 253,177 10/1979 Litman D16/130

4,643,542 2/1987 Gibson 350/565

Primary Examiner—A. Hugo Word

Assistant Examiner—Doris V. Coles

Attorney, Agent, or Firm—Bernard D. Bogdon; John S. Norton; Craig E. Larson

[57] CLAIM

The ornamental design for a riflescope ocular housing and power adjustment ring, as shown and described.

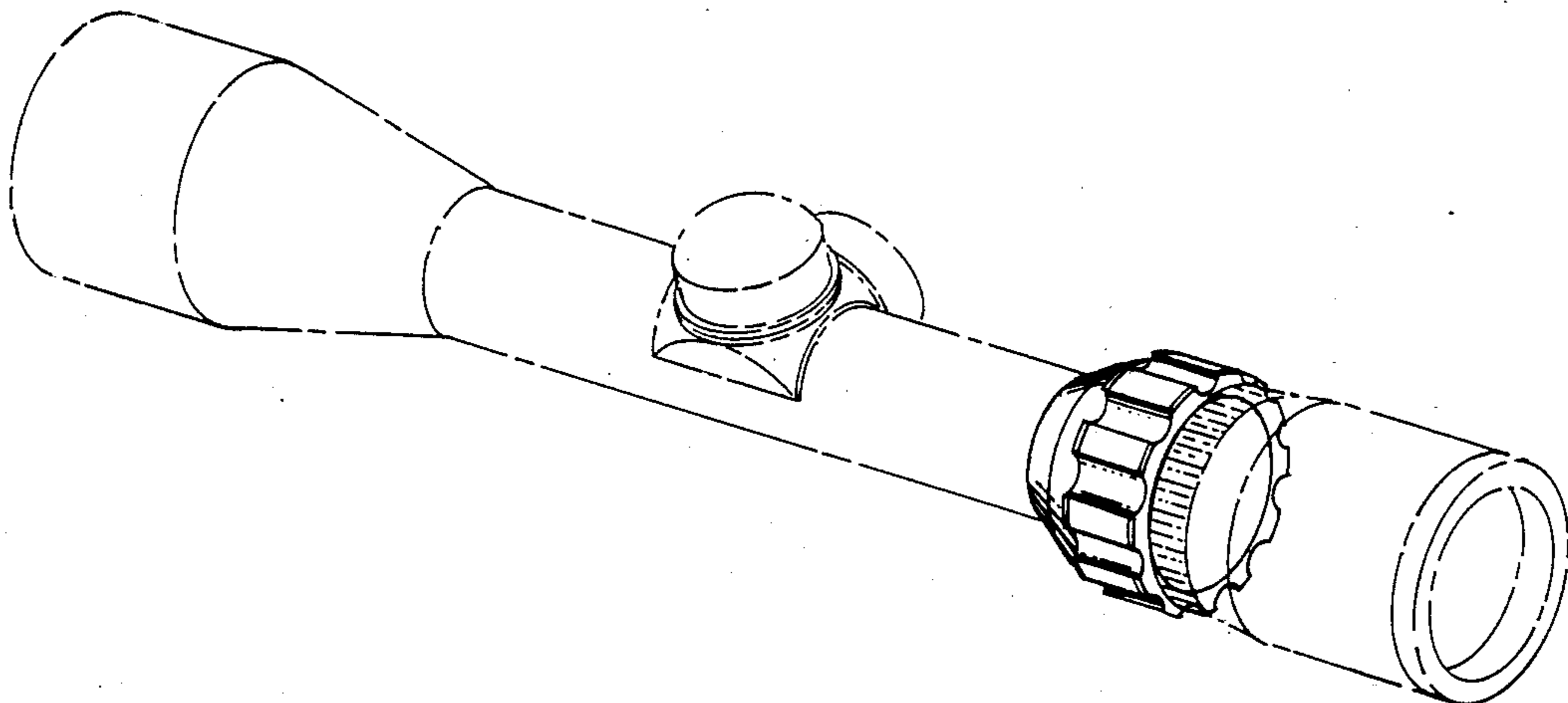
DESCRIPTION

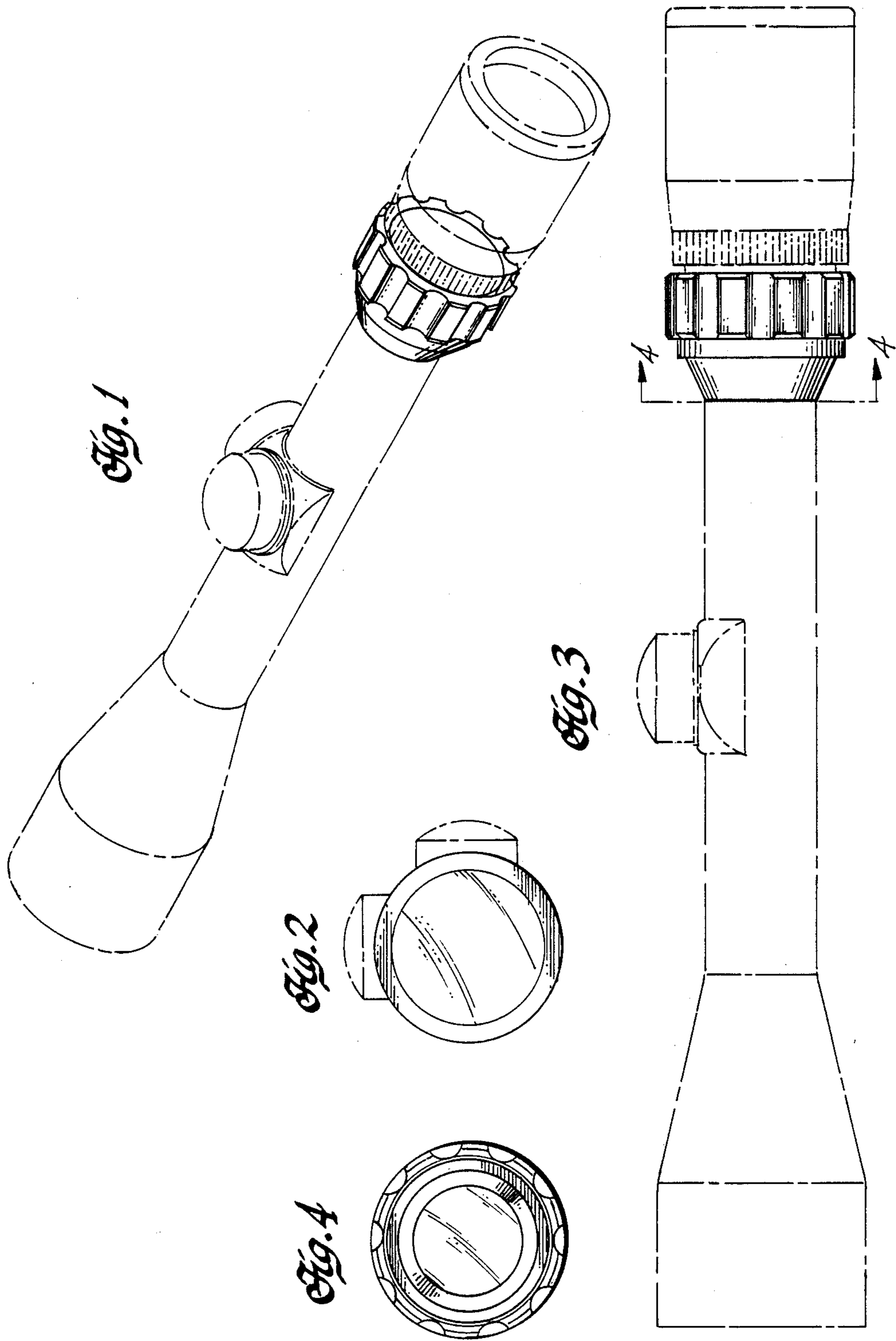
FIG. 1 is a perspective view of a riflescope ocular housing and power adjustment ring, showing my new design. The broken line showing of riflescope is for illustrative purposes only and form no part of the claimed design.

FIG. 2 is an end view taken from the right side of FIG. 1.

FIG. 3 is a front elevational view of the design shown in FIG. 1; and

FIG. 4 is a cross-sectional view taken along line 4—4 of FIG. 3.





UNITED STATES PATENT AND TRADEMARK OFFICE
CERTIFICATE OF CORRECTION

PATENT NO. : D308,982
DATED : July 3, 1990
INVENTOR(S) : Sidney D. Moore

It is certified that error appears in the above-identified patent and that said Letters Patent is hereby corrected as shown below:

Change the Fig. 1 description to read as follows:

-- FIG. 1 is a perspective view of a RIFLESCOPE OCULAR HOUSING AND POWER ADJUSTMENT RING according to the claimed design, the claimed ocular housing and power adjustment ring being circularly symmetrical, the housing and ring being shown mounted on a typical rifle scope for illustrative purposes only and which forms no part of the claimed design; --.

Signed and Sealed this
Tenth Day of September, 1991

Attest:

Attesting Officer

HARRY E. MANBECK, JR.

Commissioner of Patents and Trademarks