

[54] **COMBINED RIFLESCOPE ELEVATION
ADJUSTMENT KNOB AND WINDAGE
ADJUSTMENT KNOB**

[75] Inventor: **Sidney D. Moore**, Claremont, Calif.

[73] Assignee: **Bausch & Lomb Incorporated**,
Rochester, N.Y.

[**] Term: **14 Years**

[21] Appl. No.: **214,626**

[22] Filed: **Jul. 1, 1988**

[52] U.S. Cl. **D16/132**

[58] Field of Search **D16/132, 136; 350/565,
350/562, 560, 563, 564, 567; 33/245, 246, 247,
250**

D. 194,004 11/1962 Hoogesteger et al. D16/132
D. 253,177 10/1979 Litman D16/130
4,643,542 2/1987 Gibson 350/565

Primary Examiner—A. Hugo Word
Assistant Examiner—Doris V. Coles
Attorney, Agent, or Firm—Bernard D. Bogdon; John S.
Norton; Craig E. Larson

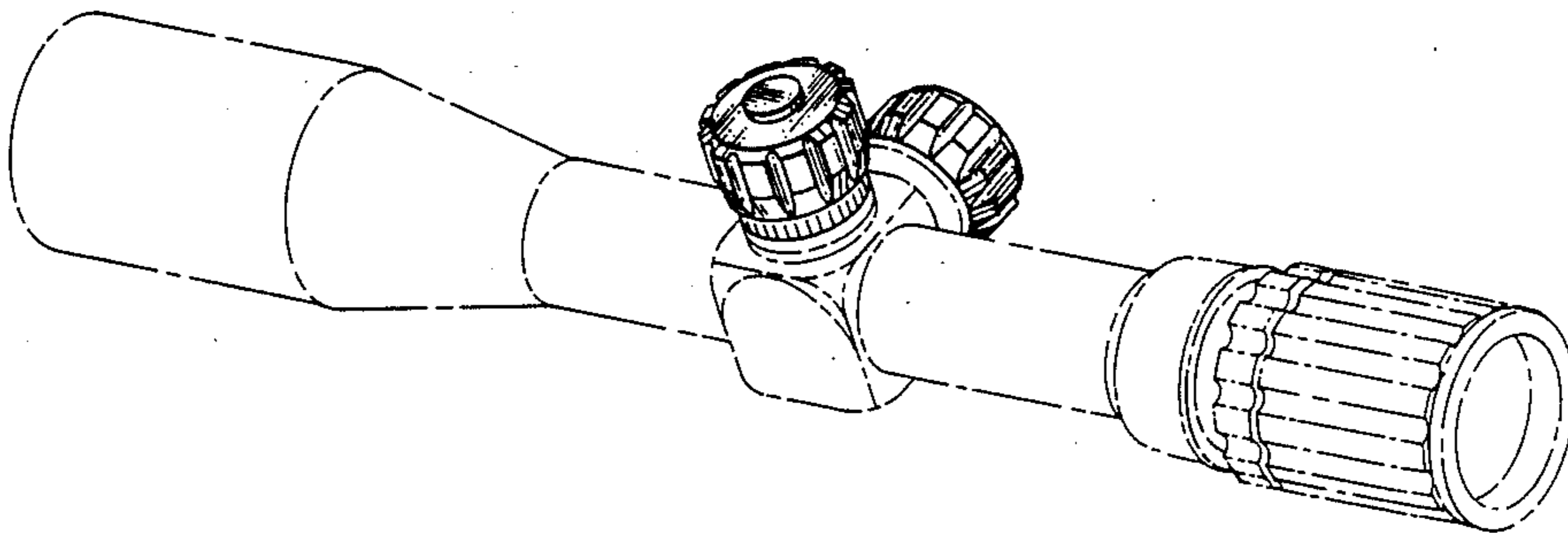
[57] **CLAIM**

The ornamental design for a combined riflescope elevation adjustment knob and windage adjustment knob, as shown and described.

DESCRIPTION

FIG. 1 is a perspective view of a combined riflescope elevation adjustment knob and windage adjustment knob showing my new design, the broken lines showing the riflescope are for illustrative purposes only and form no part of the claimed design;
FIG. 2 is a side elevational view thereof; and
FIG. 3 is an opposite side elevational view thereof.

[56] **References Cited**
U.S. PATENT DOCUMENTS
D. 191,942 12/1961 Armbruster D16/132



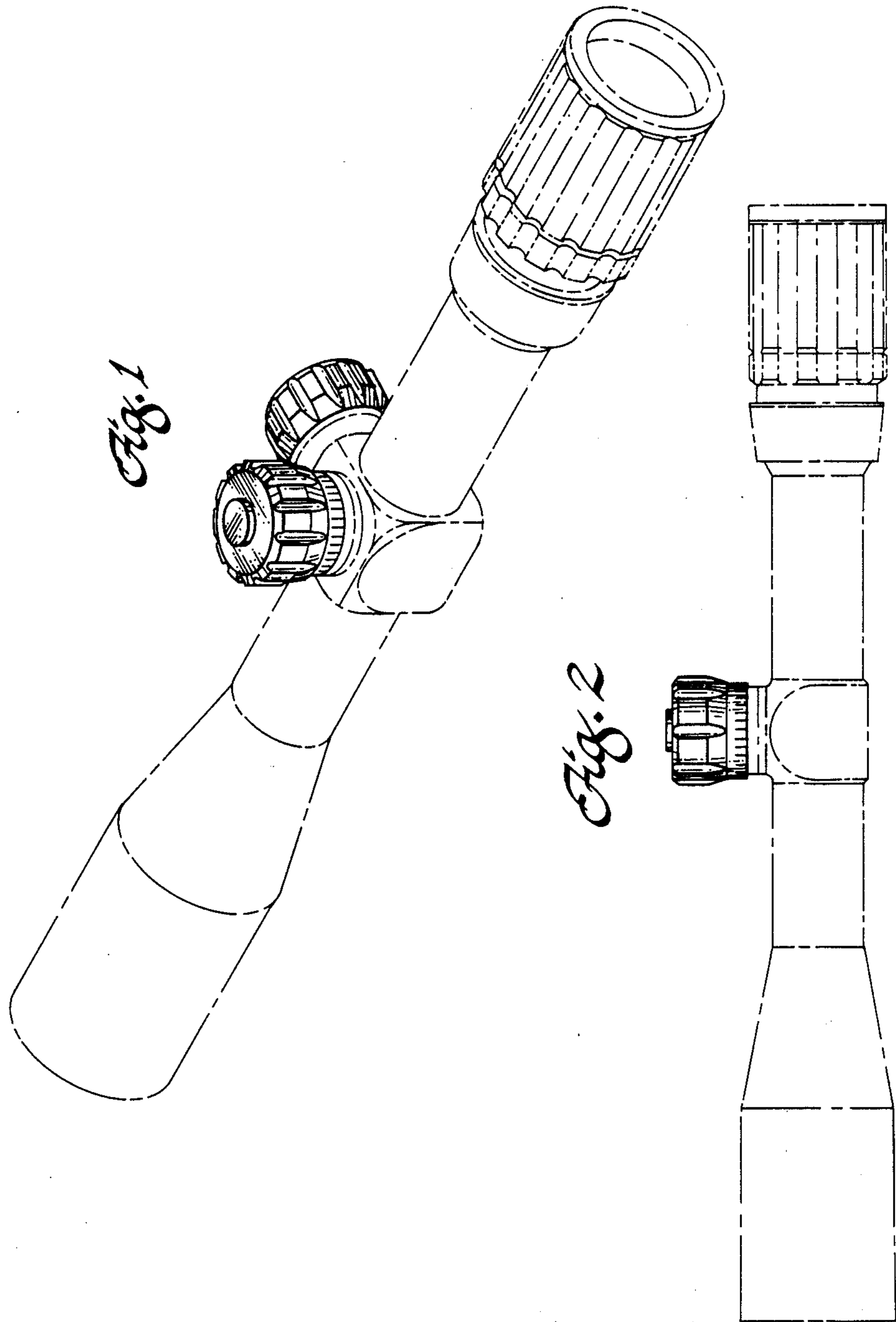


Fig. 3

