

[54] **CUTTING TOOL INSERT**

[75] **Inventor: Kenneth L. Niebauer, Raleigh, N.C.**

[73] **Assignee: Kennametal Inc., Latrobe, Pa.**

[**] **Term: 14 Years**

[21] **Appl. No.: 147,002**

[22] **Filed: Jan. 22, 1988**

[52] **U.S. Cl. D15/130; D15/139**

[58] **Field of Search D15/138, 139, 140;
 407/113, 114, 115, 116, 117**

[56] **References Cited**

U.S. PATENT DOCUMENTS

| | | | |
|------------|---------|---------------------|-----------|
| D. 280,514 | 9/1985 | Porat et al. | D15/139 |
| 3,636,602 | 1/1972 | Owen | 407/113 |
| 3,792,514 | 2/1974 | Ushijima | 707/115 X |
| 3,968,550 | 7/1976 | Gehri | 407/114 |
| 4,318,644 | 3/1982 | Seidel | D15/139 X |
| 4,359,300 | 11/1982 | Hazra et al. | 407/114 |
| 4,411,565 | 10/1983 | Hazra et al. | 407/114 |
| 4,507,024 | 3/1985 | Stasko | 407/114 |
| 4,741,649 | 5/1988 | Mori | 407/114 |
| 4,787,784 | 11/1988 | Bernadi et al. | 407/114 |

FOREIGN PATENT DOCUMENTS

0046511 2/1982 European Pat. Off. .
 2252350 5/1973 Fed. Rep. of Germany .
 5235380 3/1977 Japan .

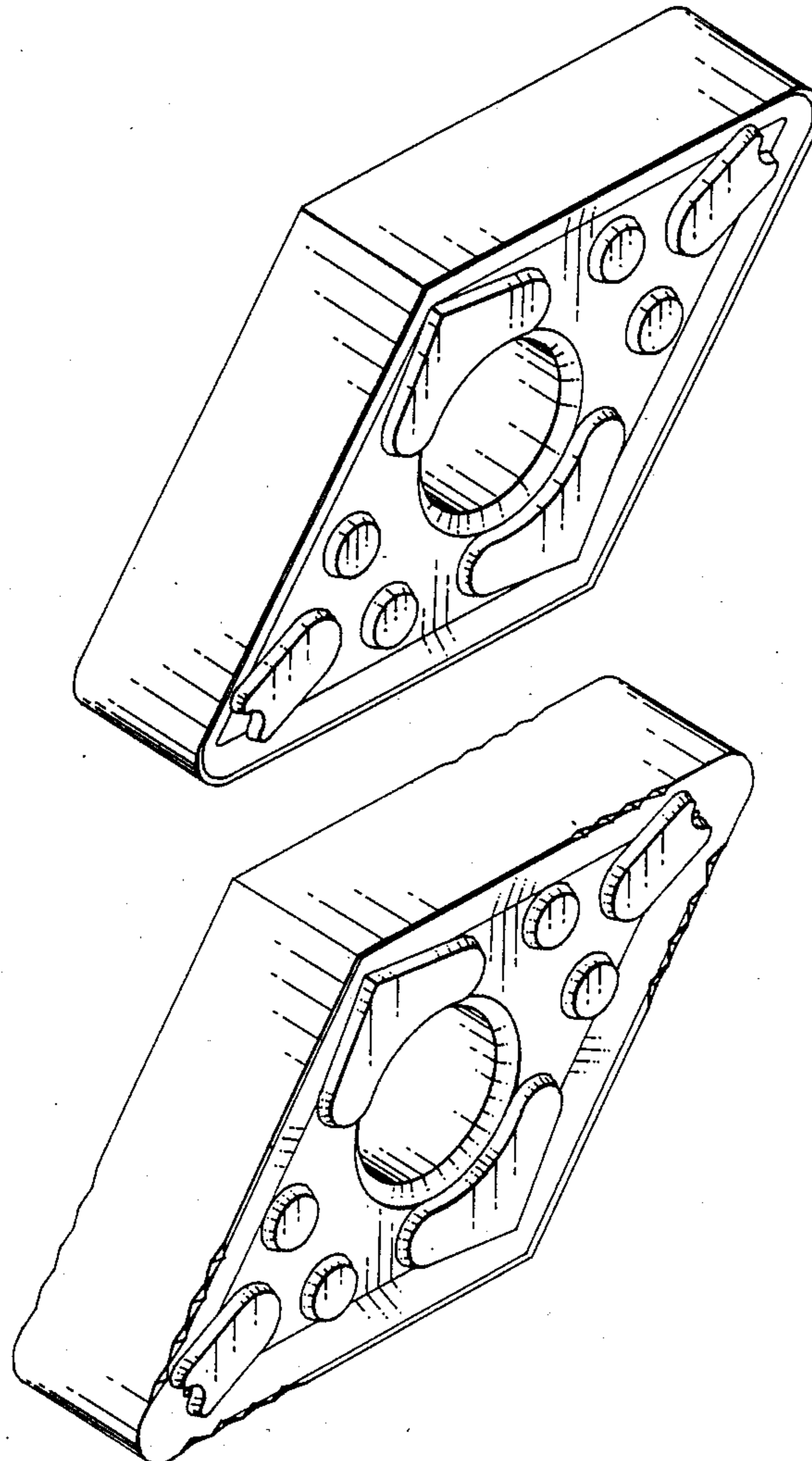
Primary Examiner—Bruce W. Dunkins
Assistant Examiner—Jeffrey Asch
Attorney, Agent, or Firm—Thomas R. Trempus

[57] **CLAIM**

The ornamental design for a cutting tool insert, as shown and described.

DESCRIPTION

FIG. 1 is a top and left side perspective view of a cutting tool insert showing my new design;
 FIG. 2 is a top plan view;
 FIG. 3 is a right side elevational view;
 FIG. 4 is a bottom plan view;
 FIG. 5 is a cross sectional view taken along line 5—5 in FIG. 2;
 FIG. 6 is a top and left side perspective view showing a second embodiment of that shown in FIGS. 1-5;
 FIG. 7 is a top plan view;
 FIG. 8 is a right side elevational view;
 FIG. 9 is a bottom plan view; and
 FIG. 10 is a cross-sectional view taken along line 10—10 in FIG. 7 thereof.



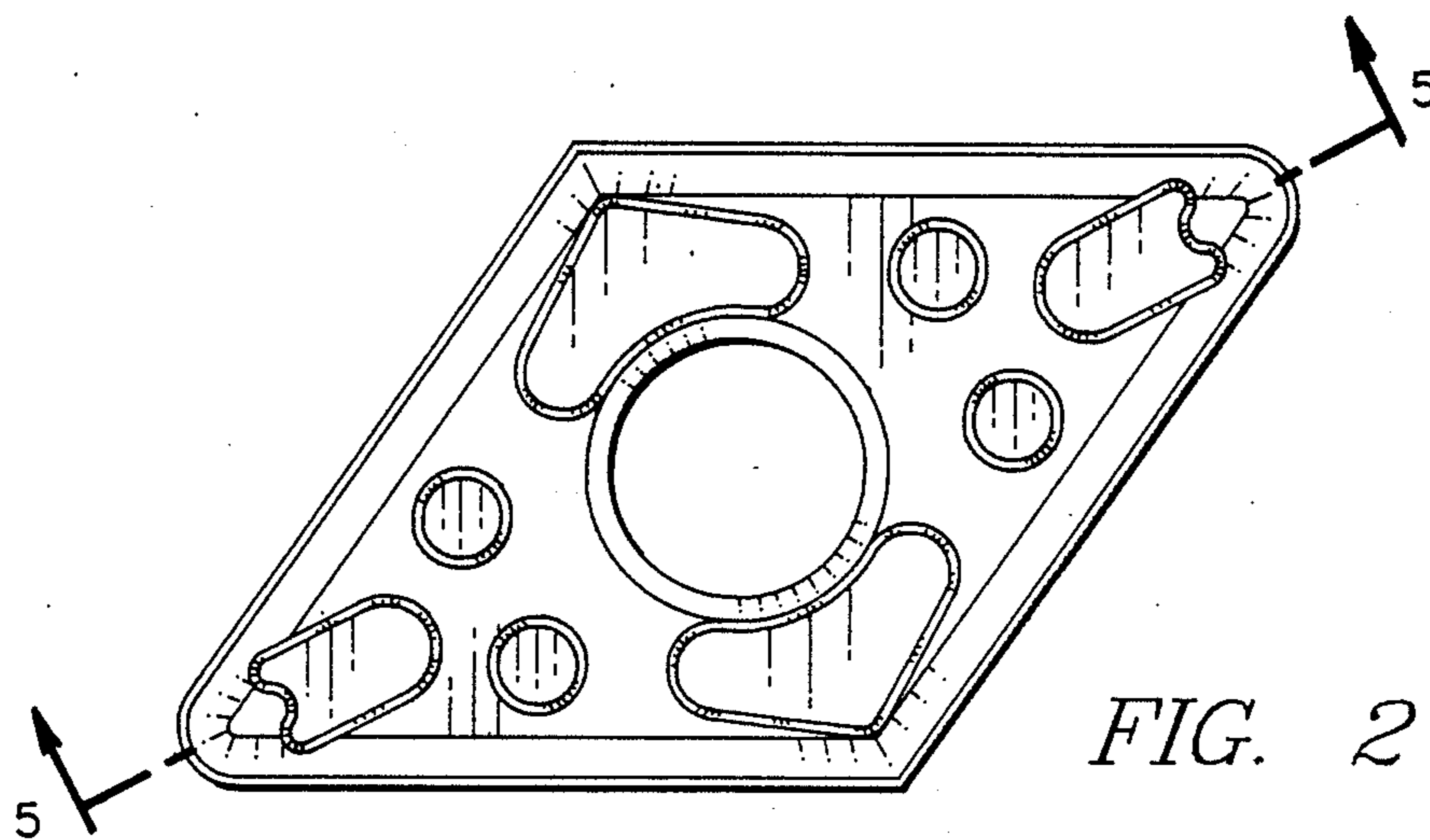
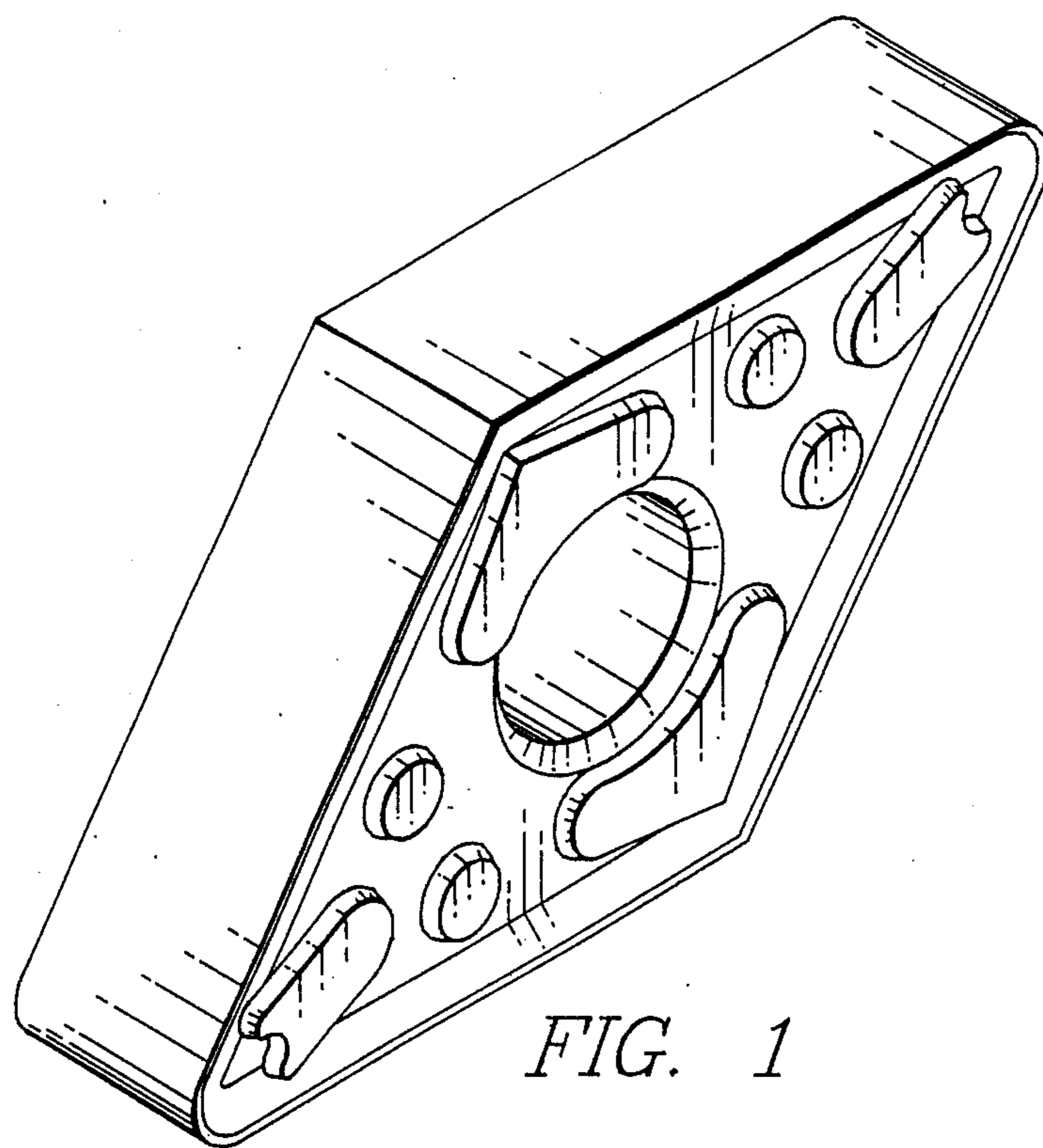




FIG. 3

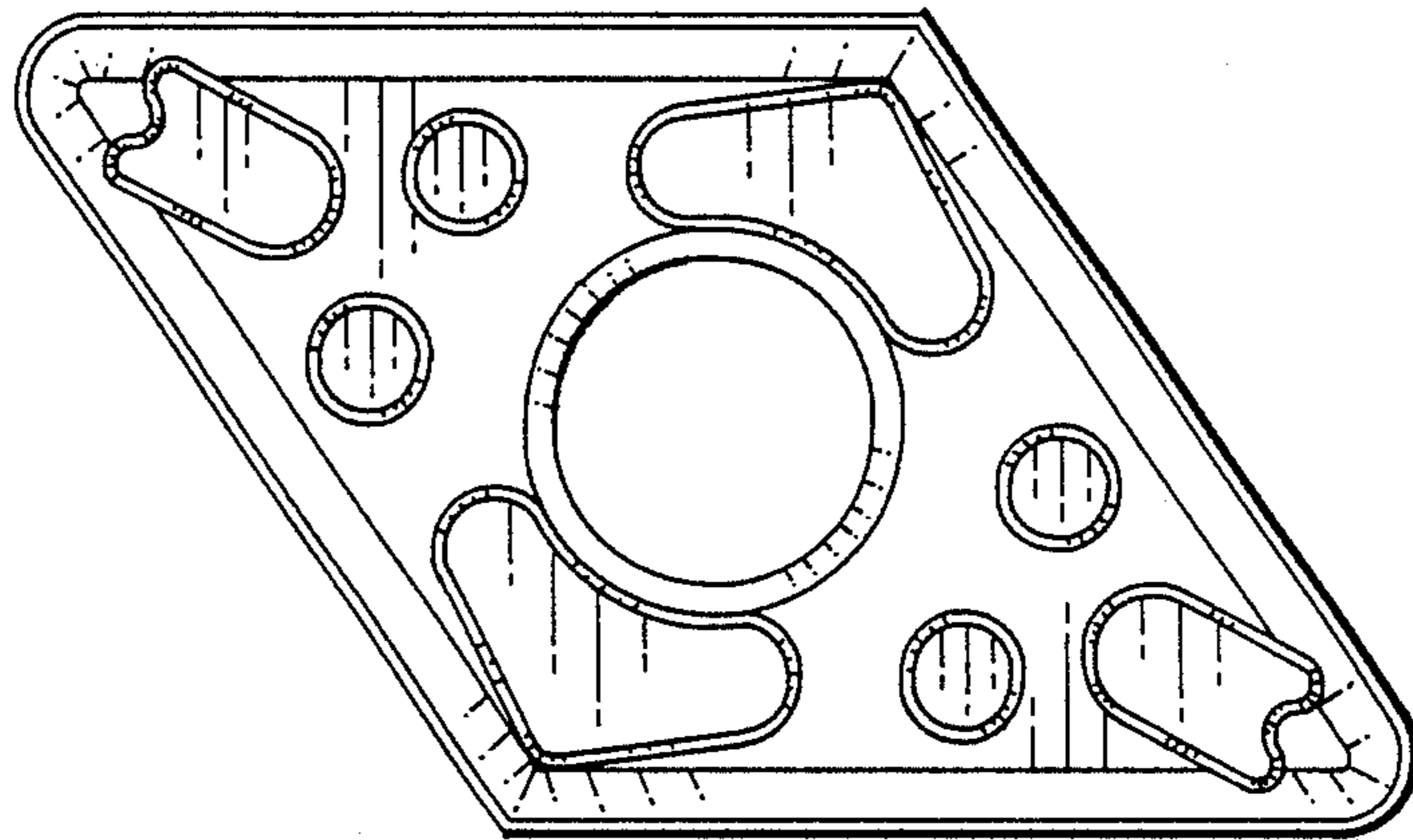


FIG. 4

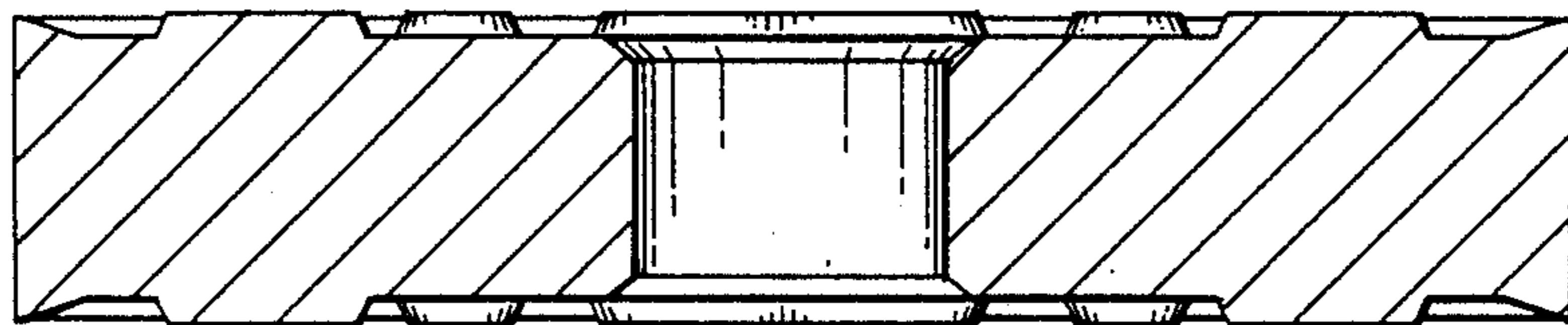


FIG. 5

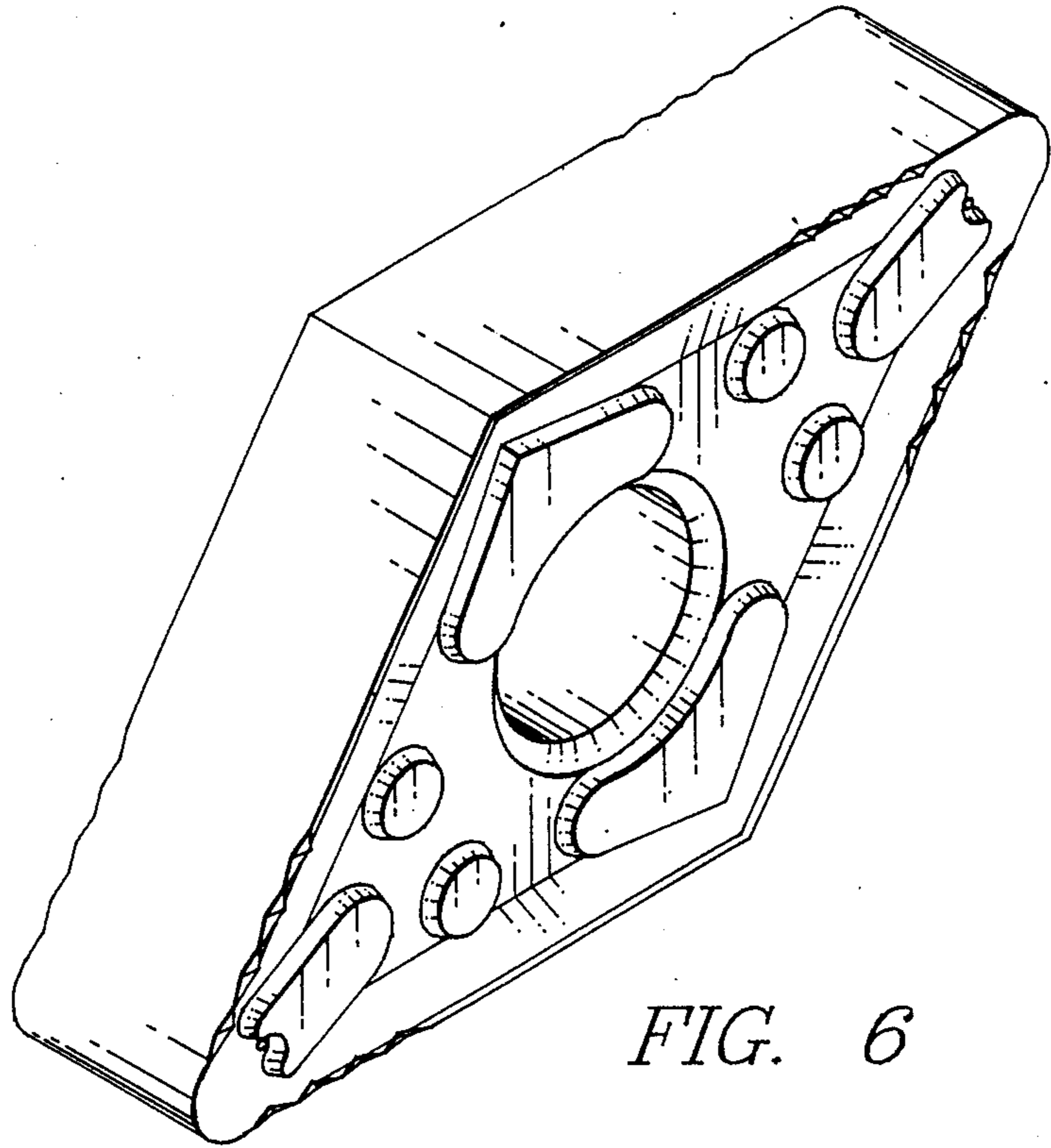


FIG. 6

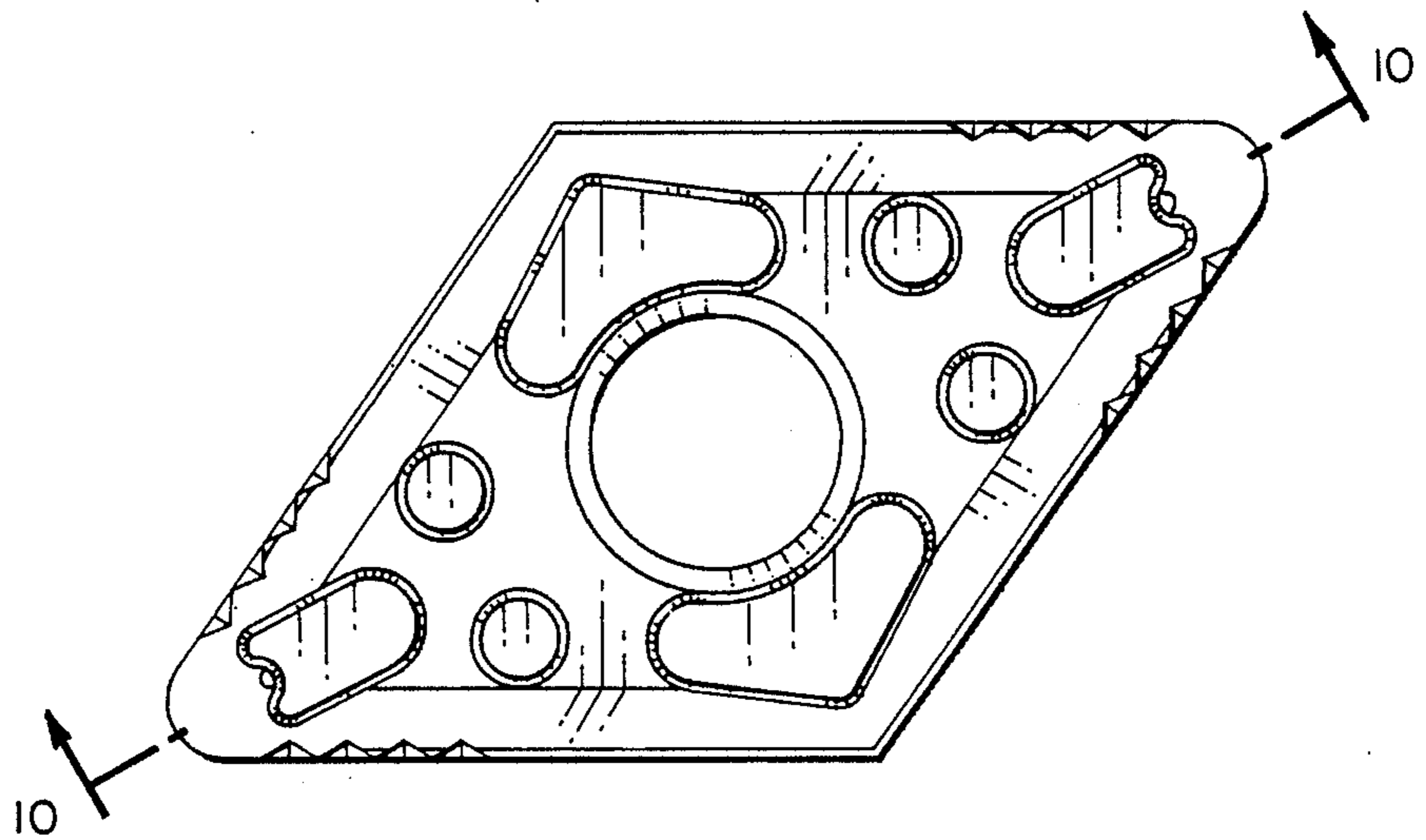


FIG. 7

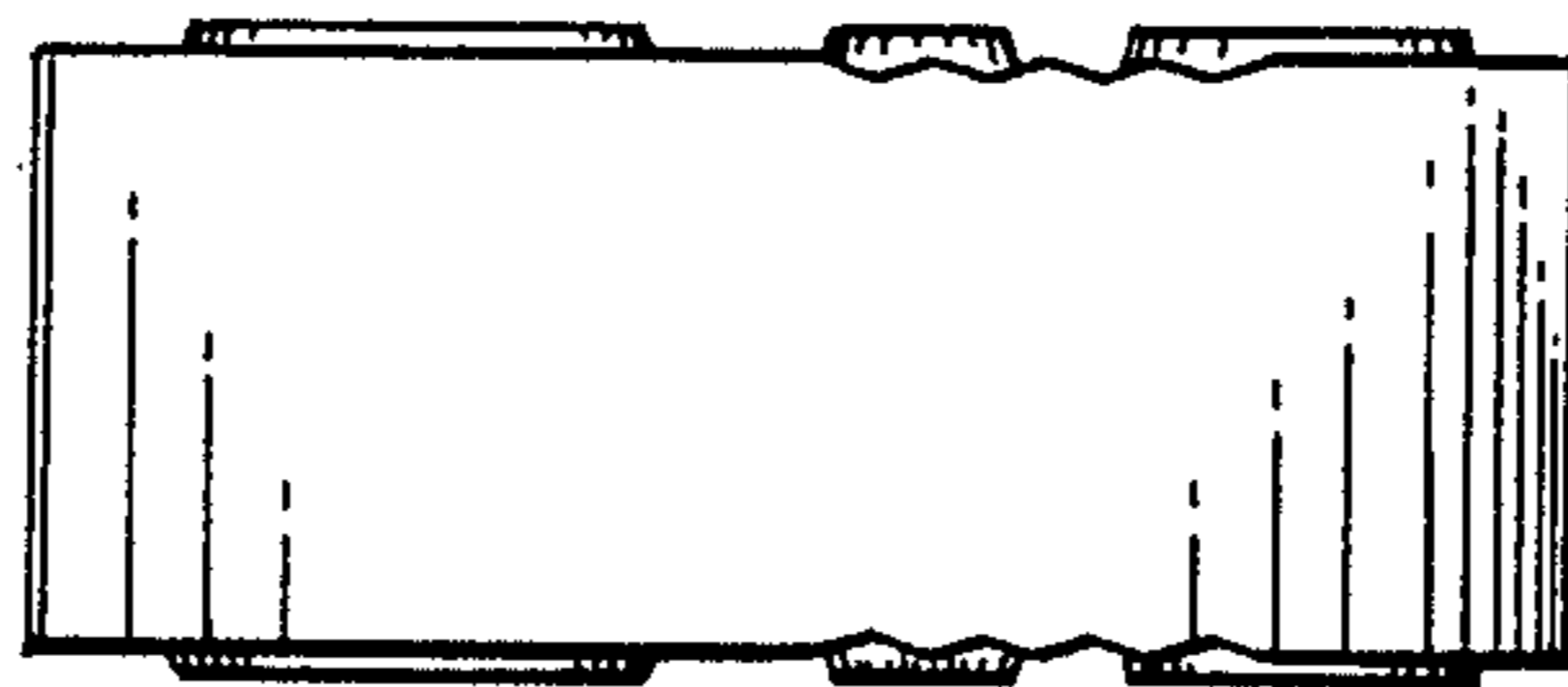


FIG. 8

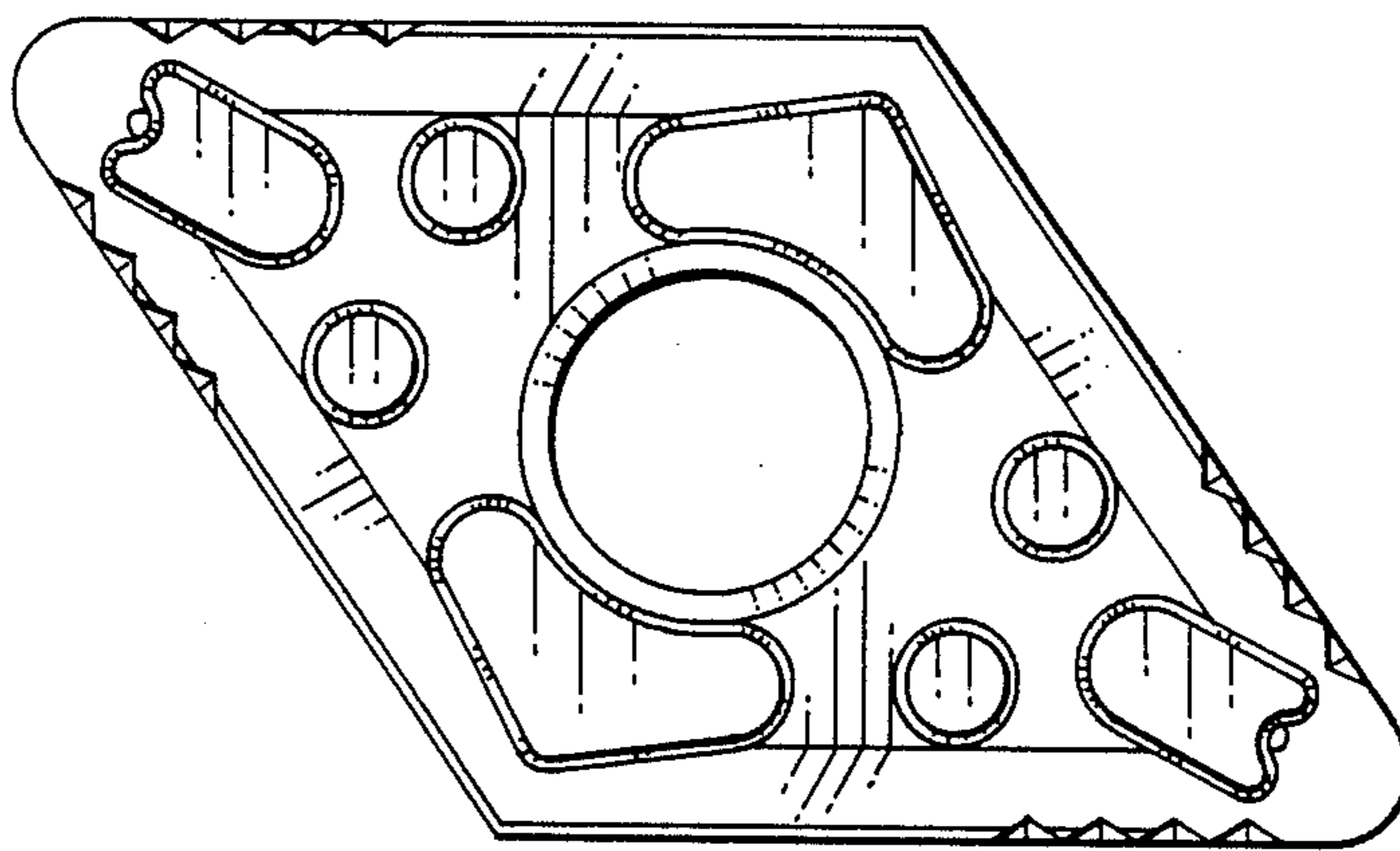


FIG. 9

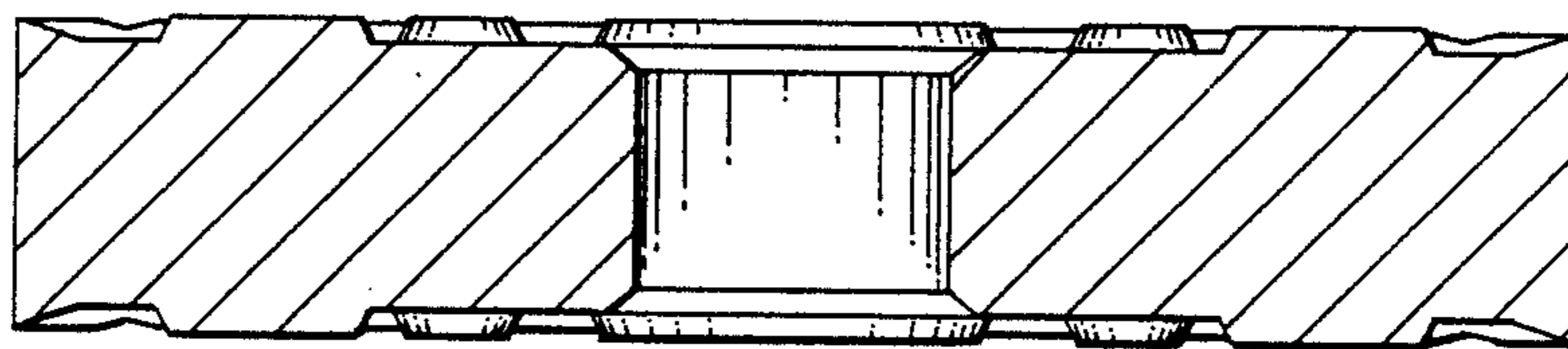


FIG. 10