

United States Patent [19]

Gotou

[11] Patent Number: **Des. 308,973**

[45] Date of Patent: **** Jul. 3, 1990**

[54] **INDUSTRIAL SEWING MACHINE**

[75] Inventor: **Toyokichi Gotou, Souka, Japan**

[73] Assignee: **Newlong Machine Works, Ltd., Tokyo, Japan**

[**] Term: **14 Years**

[21] Appl. No.: **886,773**

[22] Filed: **Jul. 17, 1986**

[30] **Foreign Application Priority Data**

Mar. 25, 1986 [JP] Japan 61-10512

[52] U.S. Cl. **D15/69**

[58] Field of Search D15/66, 68-76;
112/63, 258-261

[56] **References Cited**

U.S. PATENT DOCUMENTS

D. 249,947 10/1978 Gegauf D15/68

D. 288,207 2/1987 Kuroki et al. D15/70

D. 291,088 7/1987 Hanyu D15/69

D. 291,999 9/1987 Yoneda D15/69

4,314,517 2/1982 Kasahara et al. 112/260

Primary Examiner—A. Hugo Word

Assistant Examiner—Ruth McInroy

Attorney, Agent, or Firm—Lowe, Price, LeBlanc,
Becker & Shur

[57] **CLAIM**

The ornamental design for an industrial sewing machine, as shown.

DESCRIPTION

FIG. 1 is a front elevational view of an industrial sewing machine showing my new design;

FIG. 2 is a top plan view thereof;

FIG. 3 is a bottom plan view thereof;

FIG. 4 is a rear elevational view thereof;

FIG. 5 is a left side elevational view thereof; and

FIG. 6 is a right side elevational view thereof; and

FIG. 7 is a front perspective view thereof.

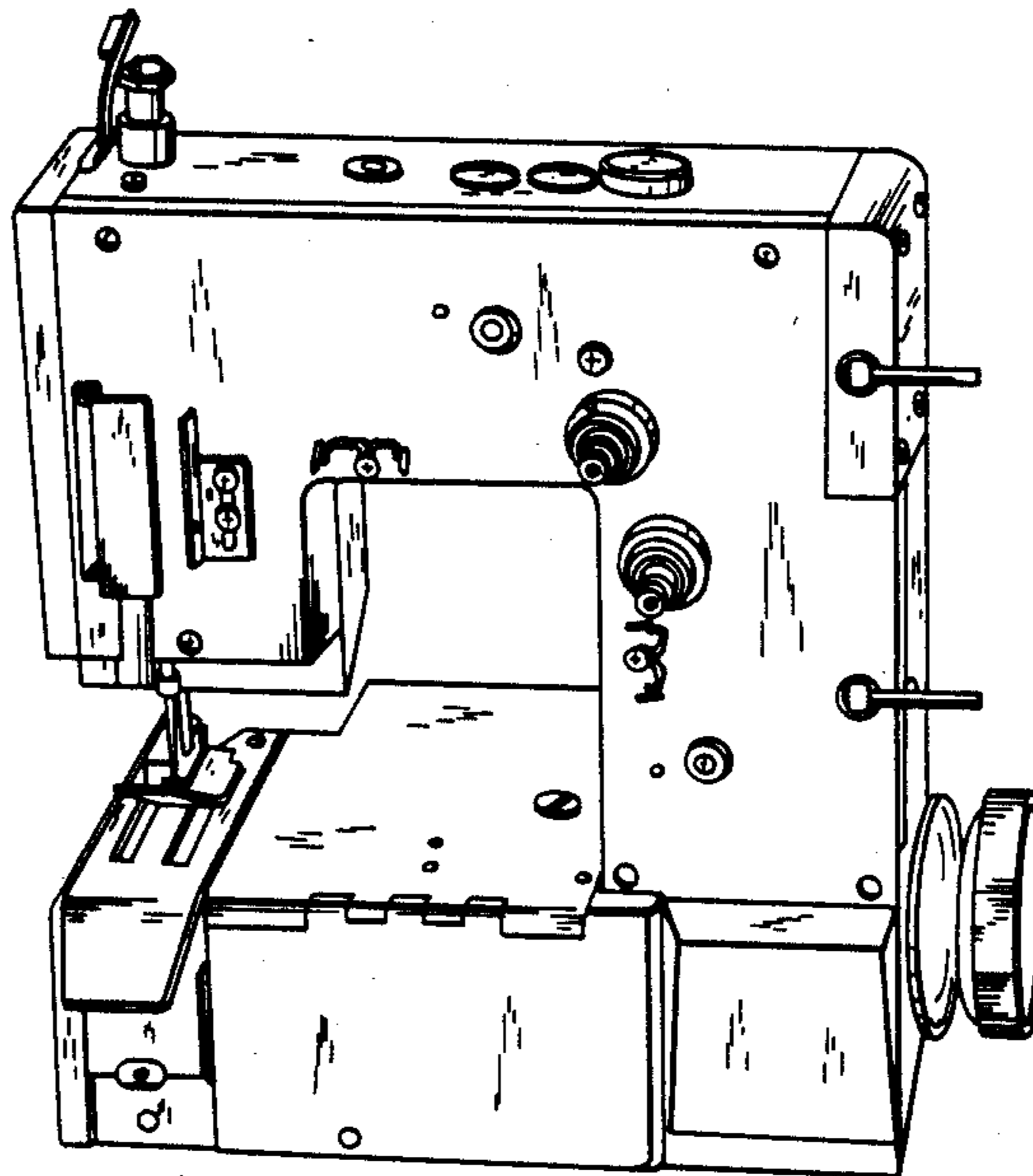


FIG. 1

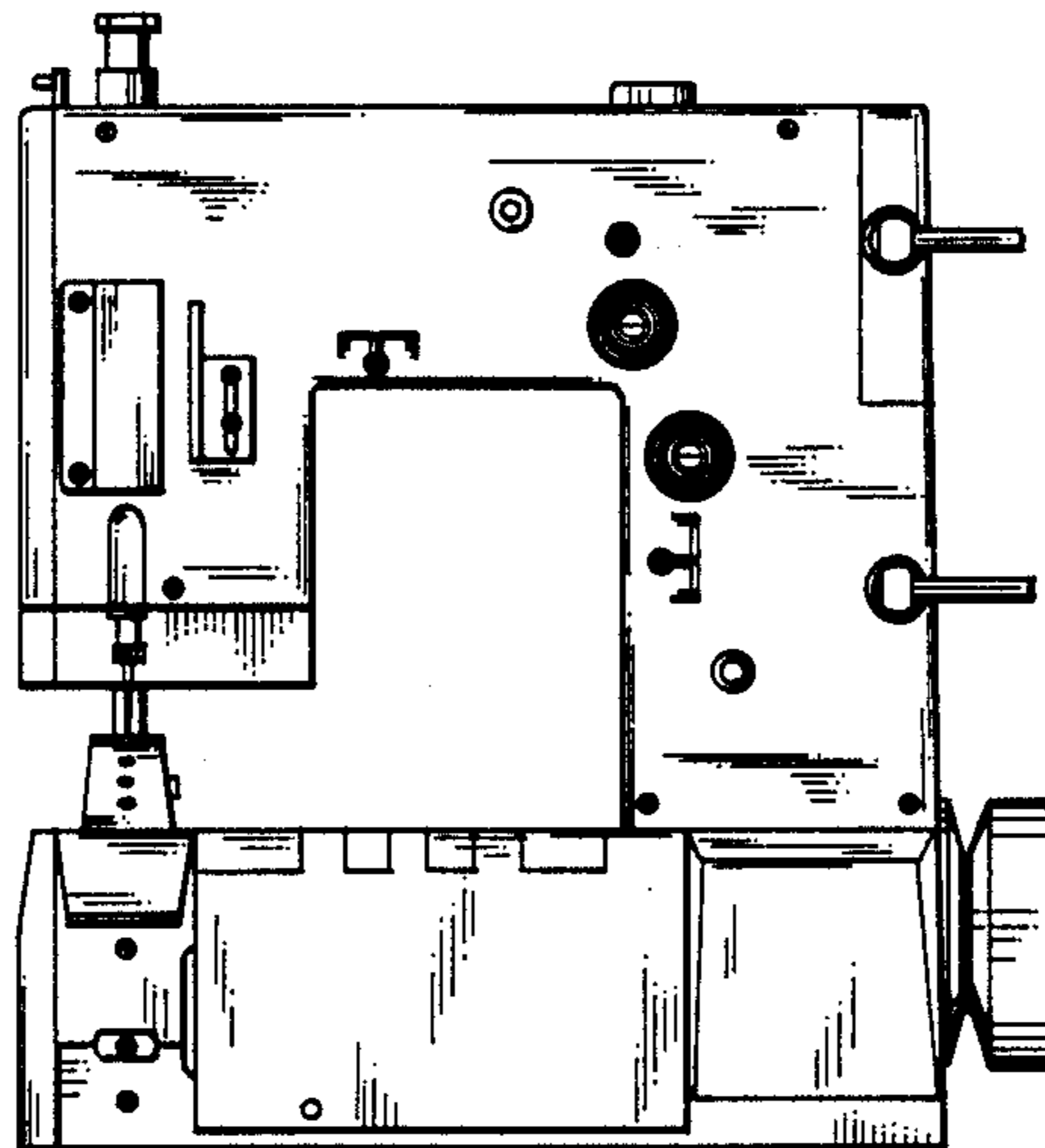


FIG. 2

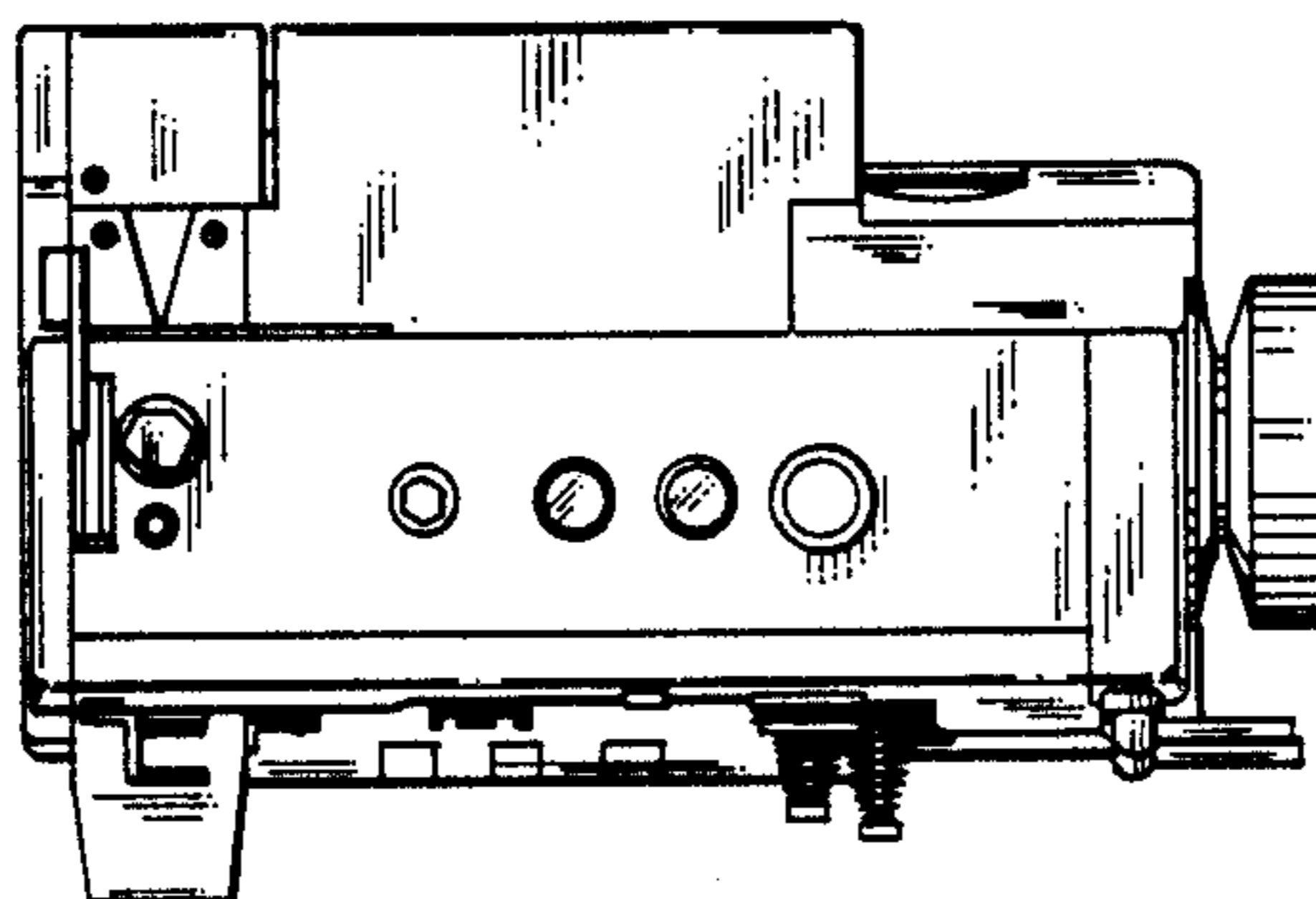


FIG. 3

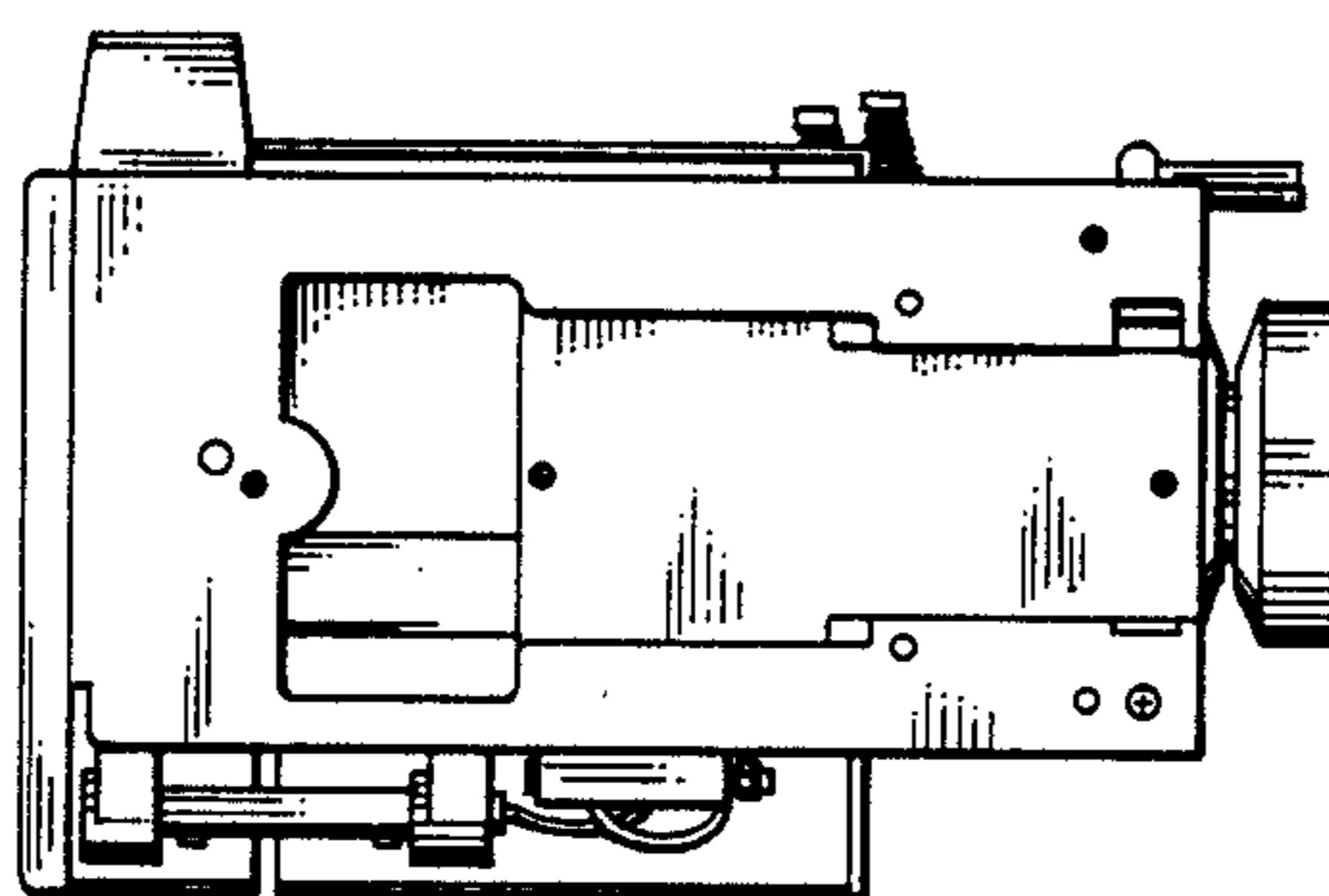


FIG. 4

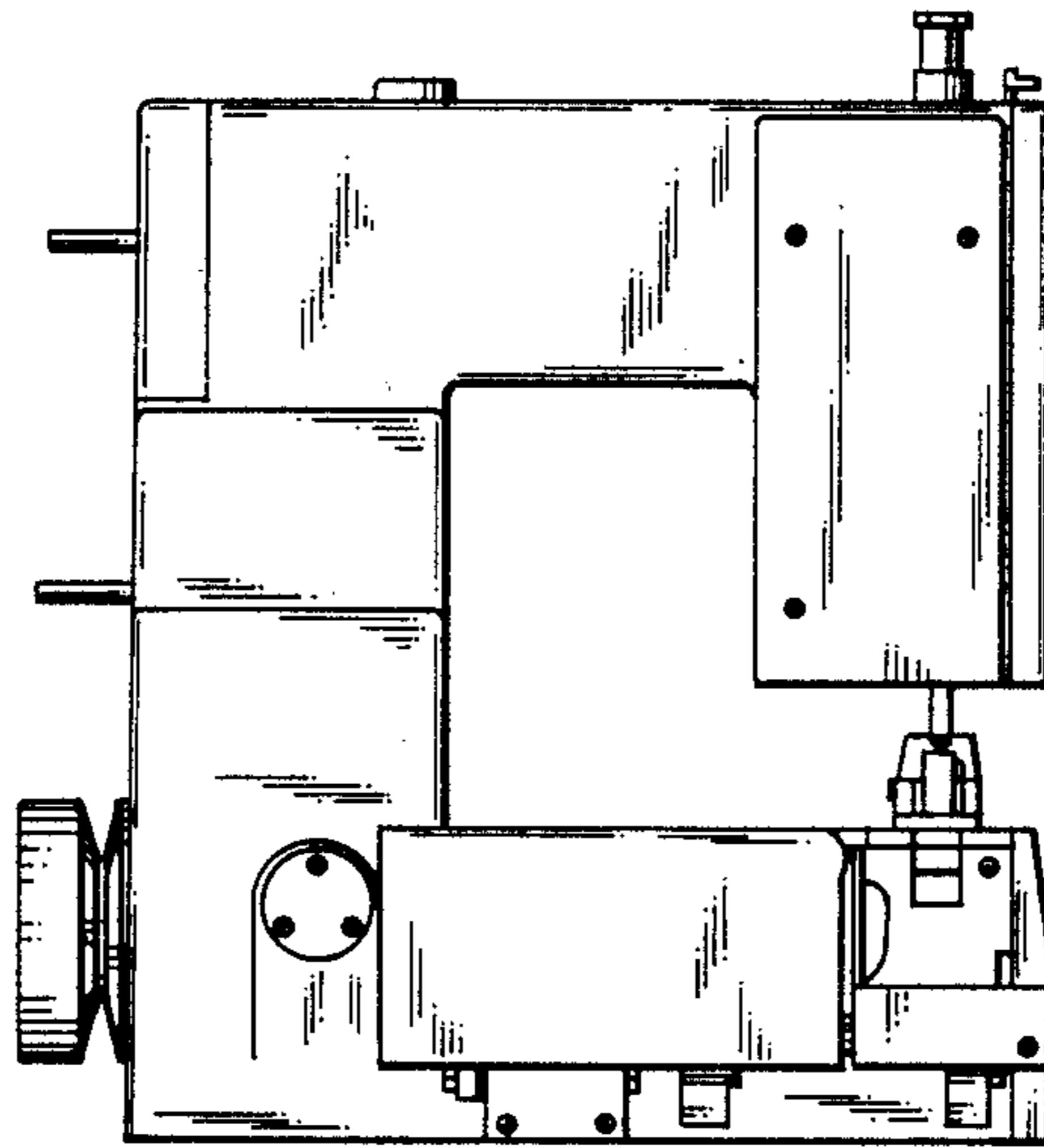


FIG. 5

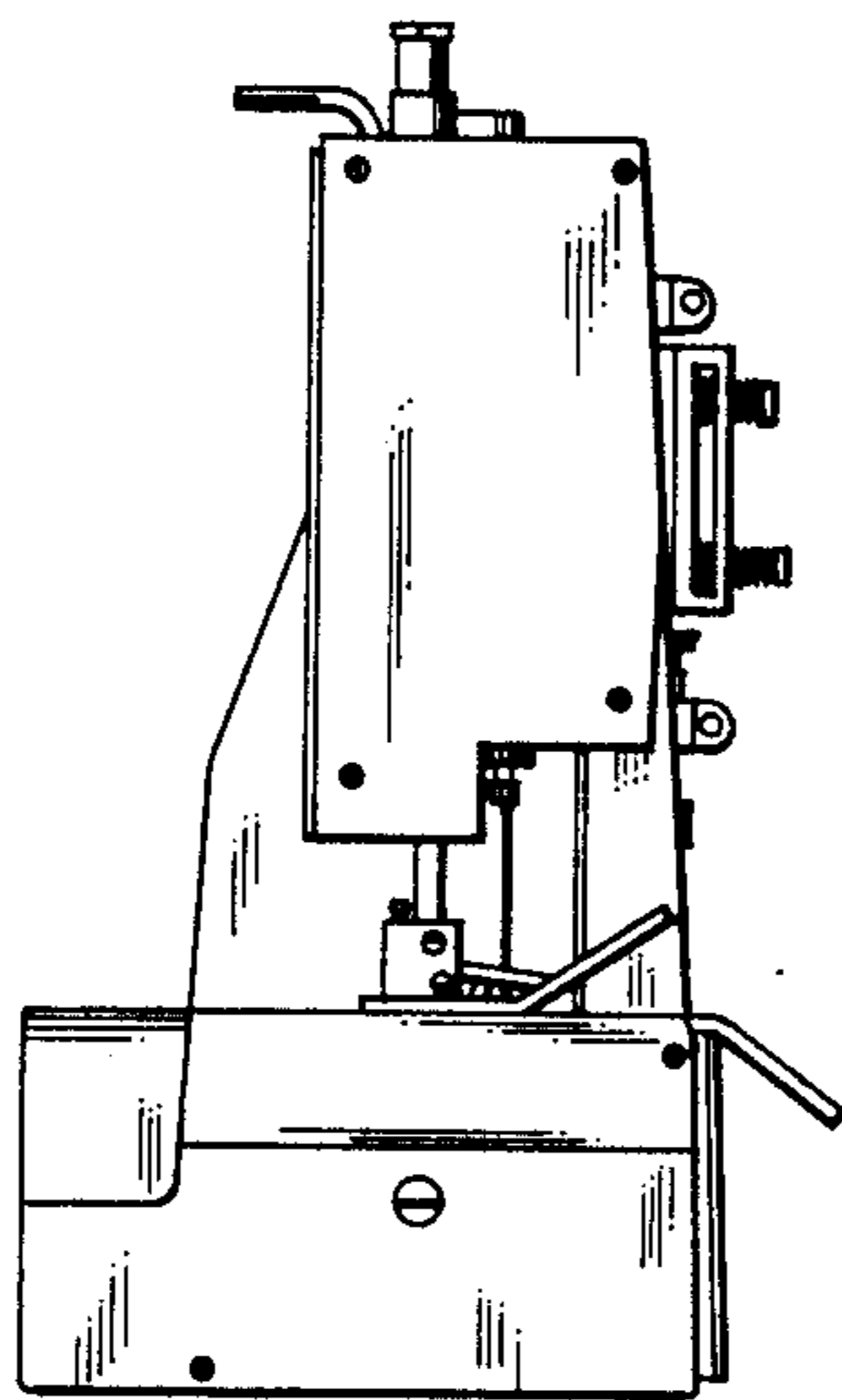
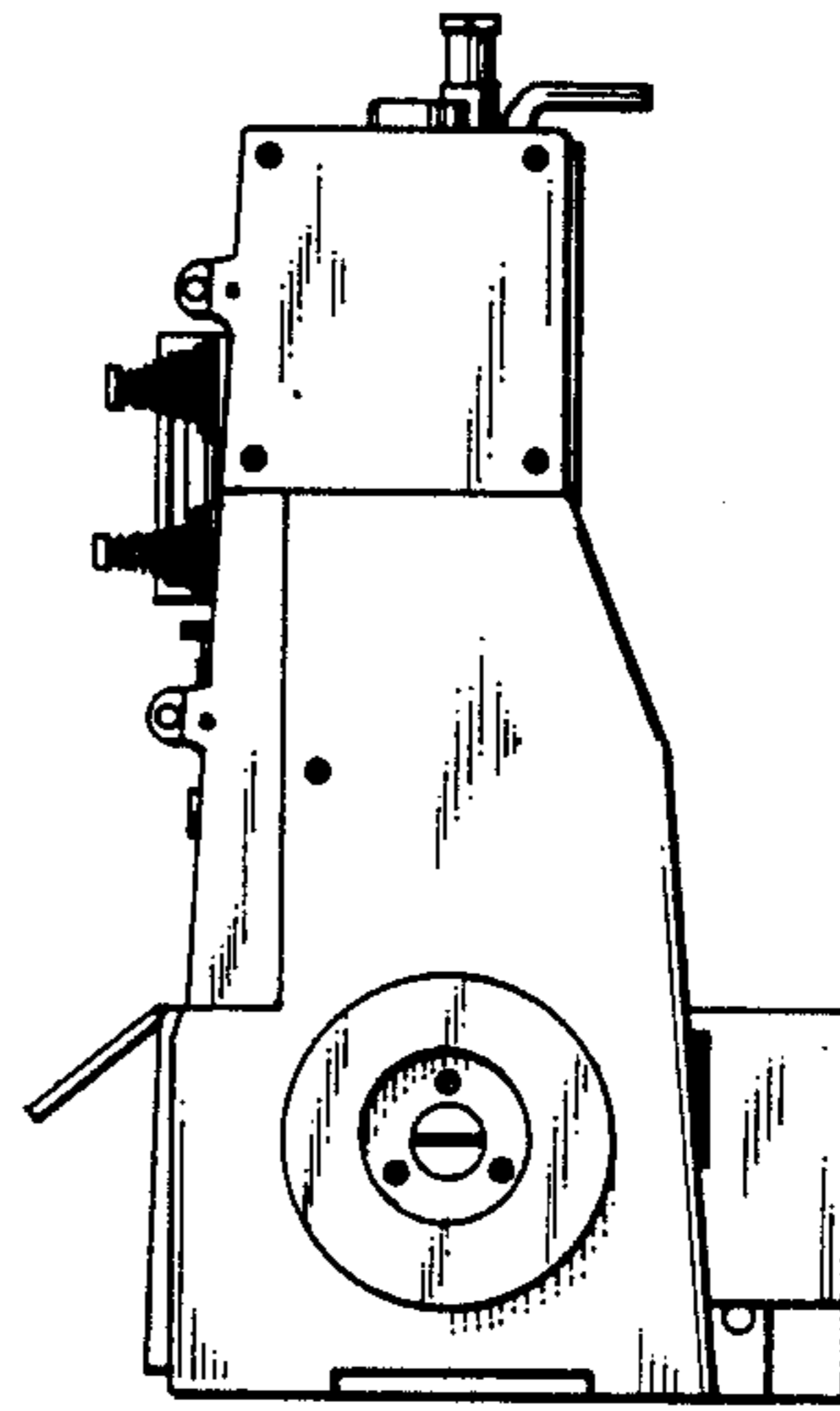


FIG. 6



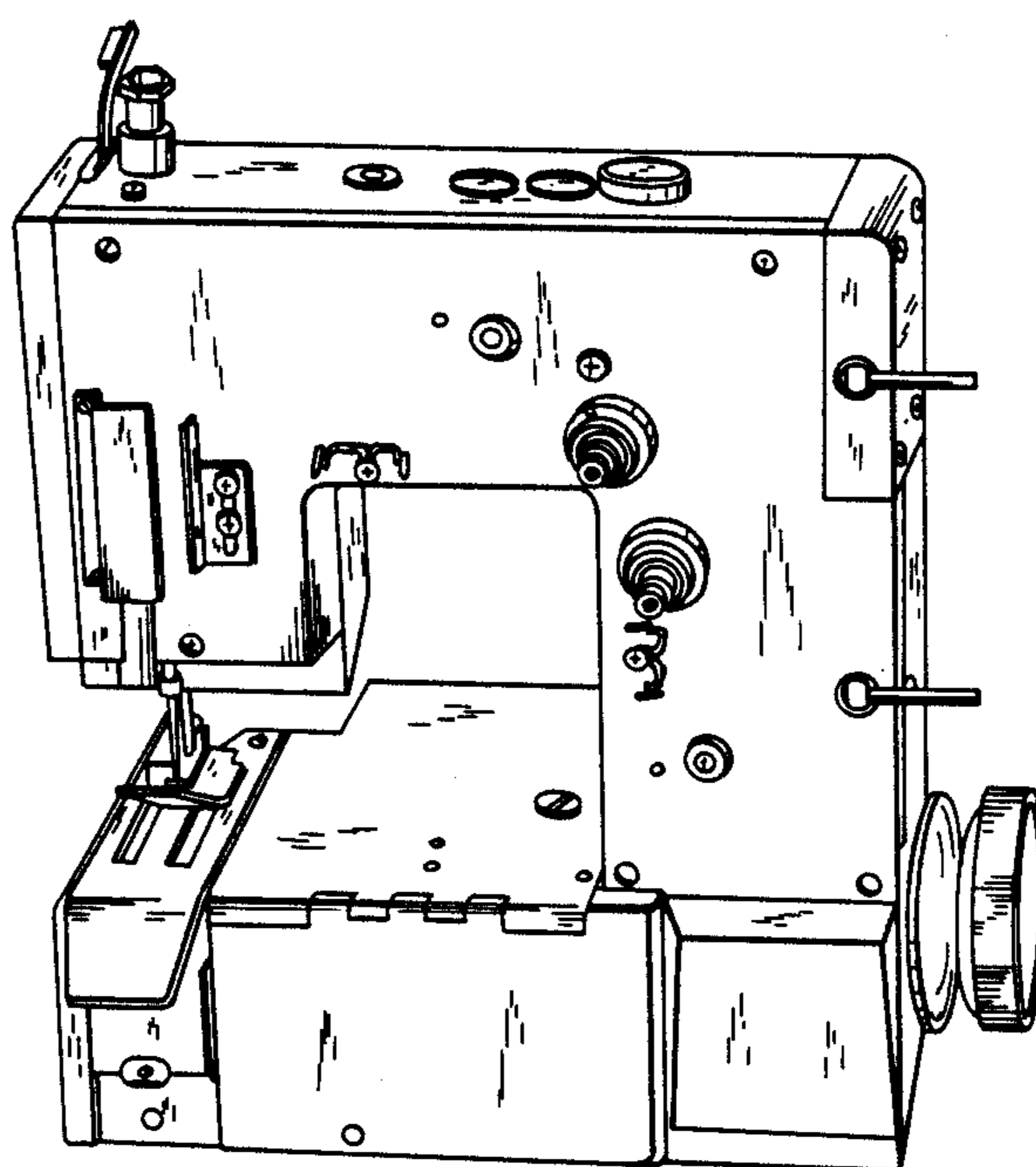


FIG. 7