

[54] TELEVISION RECEIVING ANTENNA

4,131,897 12/1978 Gaunt 343/908

[75] Inventors: Atsuo Moriyama; Yutaka Aizawa; Kazuhiko Tamura, all of Omiya, Japan

Primary Examiner—B. J. Bullock
Assistant Examiner—Theodore M. Shooman
Attorney, Agent, or Firm—Bacon & Thomas

[73] Assignee: Yagi Antenna Co., Ltd., Tokyo, Japan

[57] CLAIM

[**] Term: 14 Years

The ornamental design for a television receiving antenna, as shown and described.

[21] Appl. No.: 834,060

DESCRIPTION

[22] Filed: Feb. 19, 1986

[30] Foreign Application Priority Data

Oct. 14, 1985 [JP] Japan 60-42641

[52] U.S. Cl. D14/235; D14/234

[58] Field of Search D14/230-238;
373/720, 721, 730, 741, 746, 747, 748, 805, 806,
815, 820, 872, 873, 907, 908, 909

FIG. 1 is a front and right side perspective view of a television receiving antenna showing our new design, with the rods stretched;

FIG. 2 is a front elevational view thereof;

FIG. 3 is a right side elevational view thereof;

FIG. 4 is a left side elevational view thereof;

FIG. 5 is a rear elevational view thereof;

FIG. 6 is a top plan view thereof;

FIG. 7 is a bottom plan view thereof;

FIG. 8 is a front and right side perspective view of a second embodiment of the television receiving antenna illustrated in FIG. 1, with the rods stretched;

FIG. 9 is a front elevational view of the embodiment disclosed in FIG. 8; and

FIG. 10 is a top plan view of the embodiment disclosed in FIG. 8.

[56] References Cited

U.S. PATENT DOCUMENTS

D. 226,274	2/1973	Callaghan et al.	D14/235
D. 275,673	9/1984	Iino et al.	D14/230
2,657,312	10/1953	Saranga	343/806
2,659,002	11/1953	Keeler	343/741

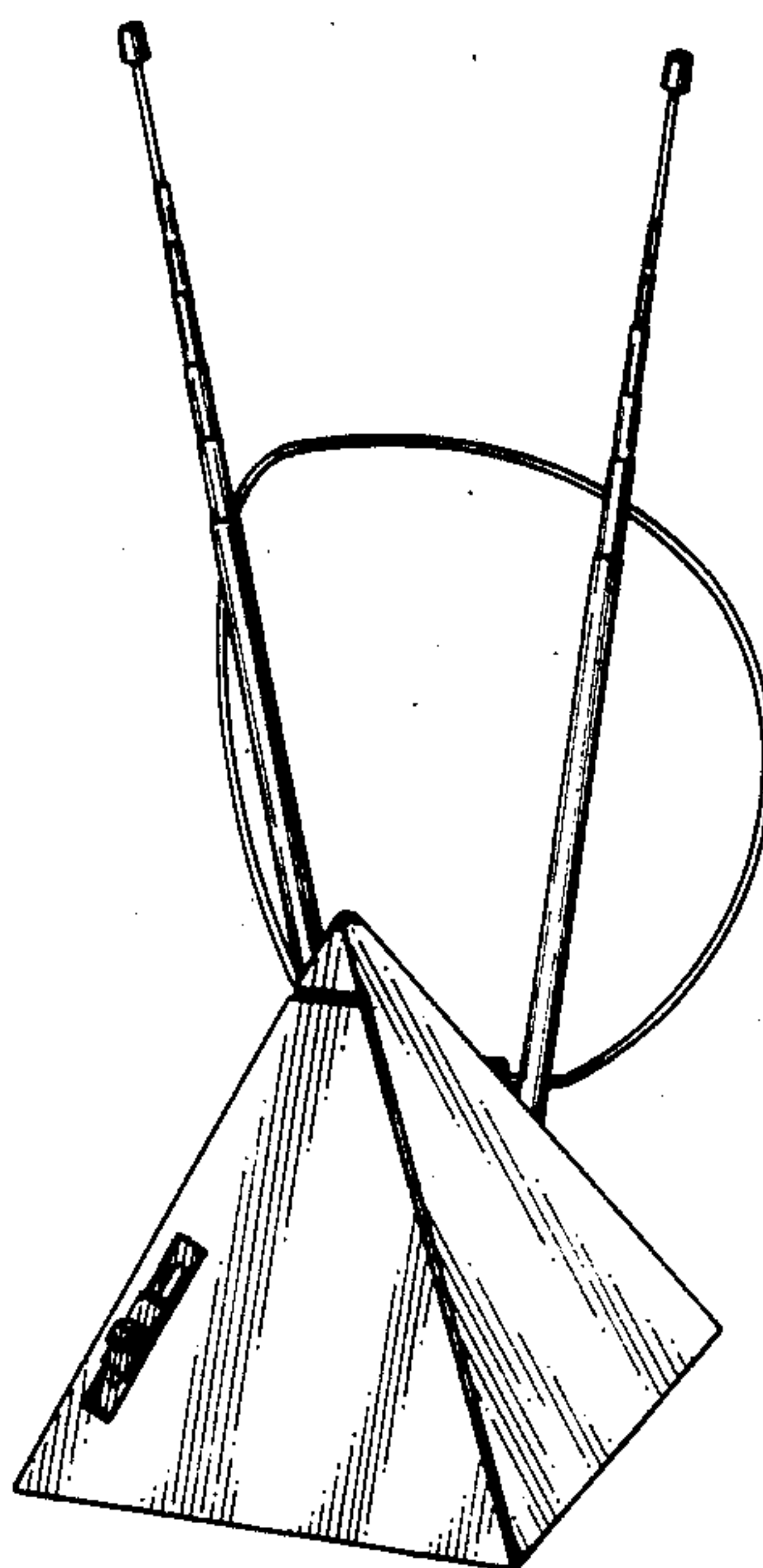


FIG. 1

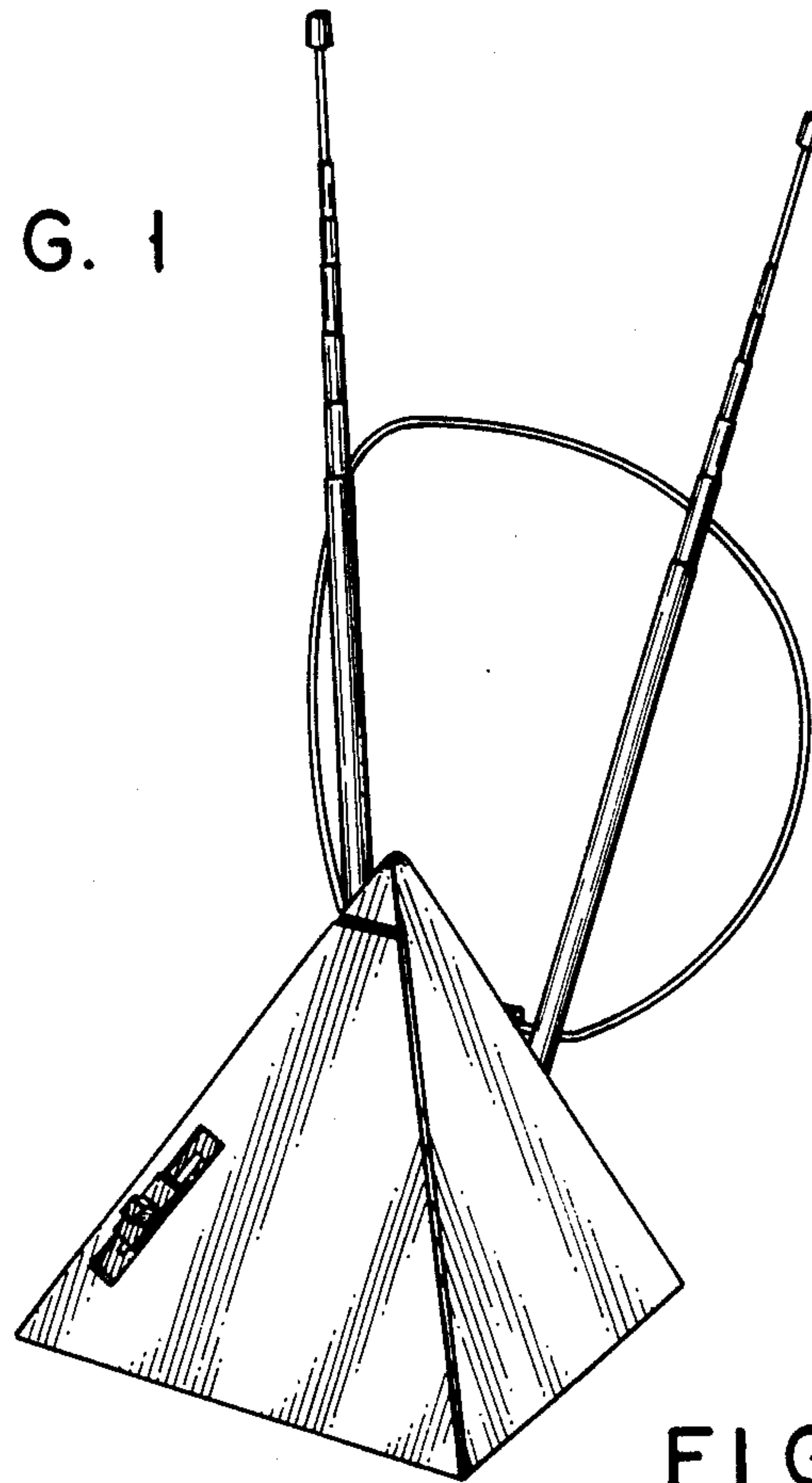


FIG. 2

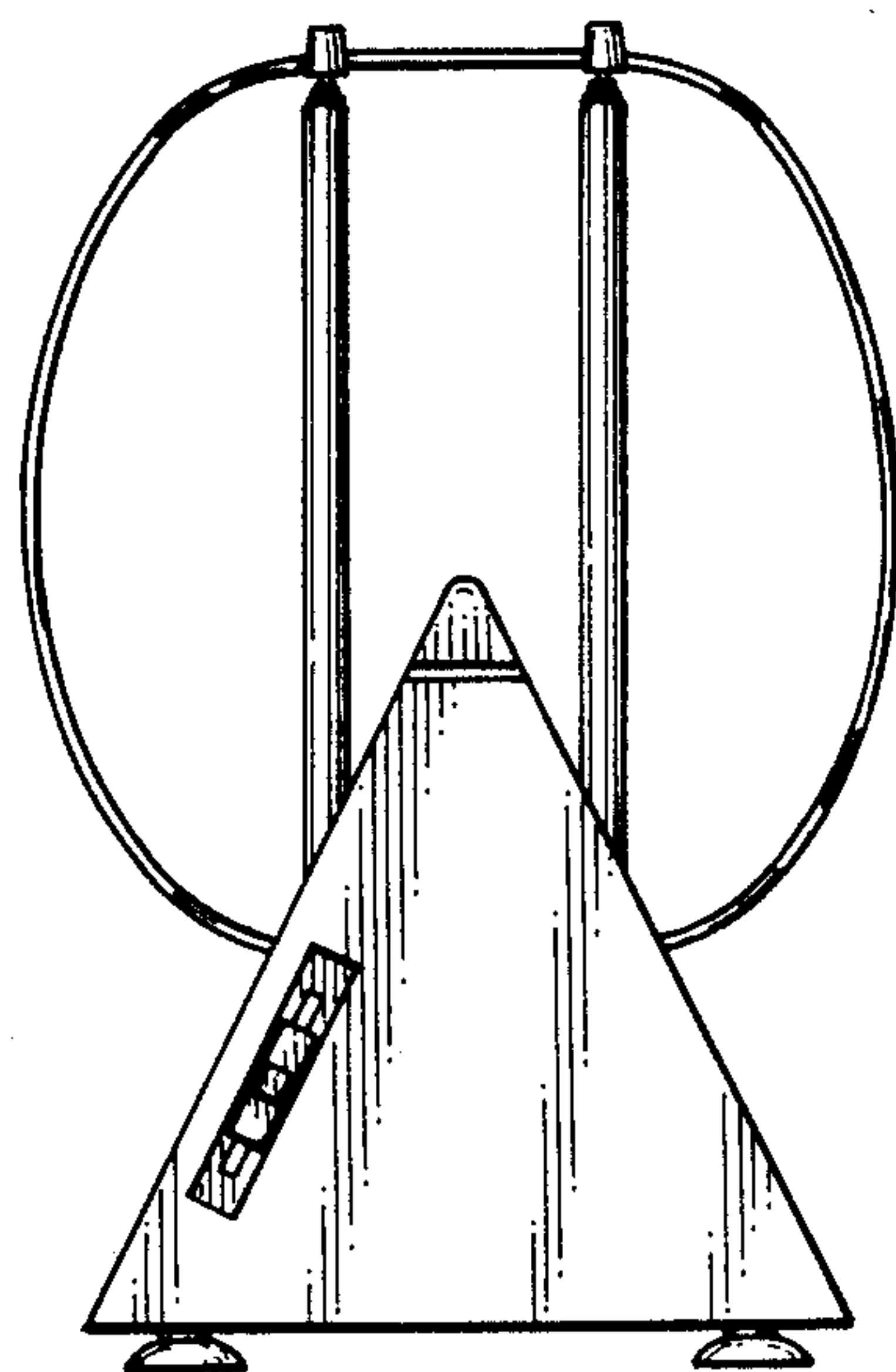


FIG. 3

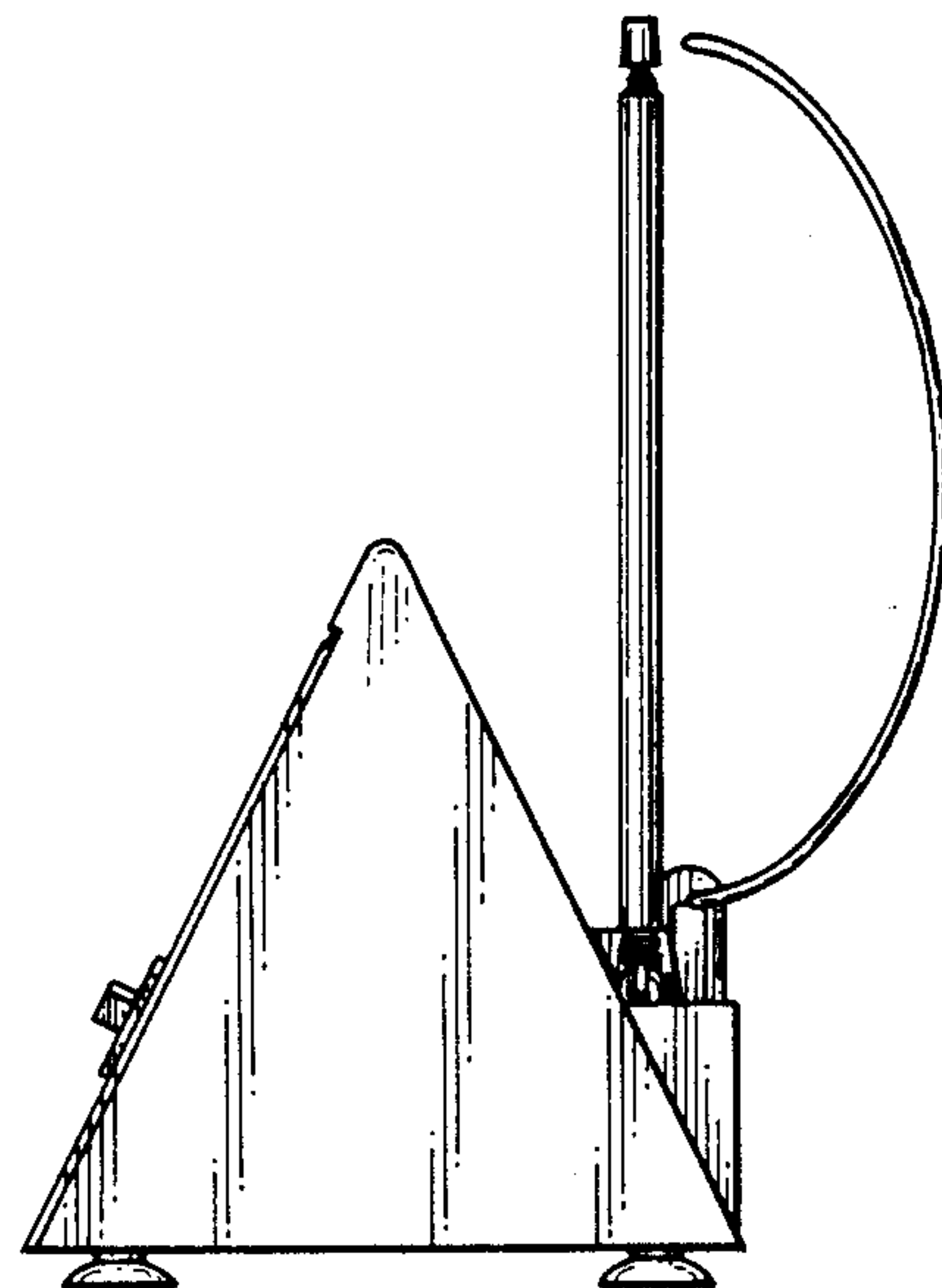


FIG. 4

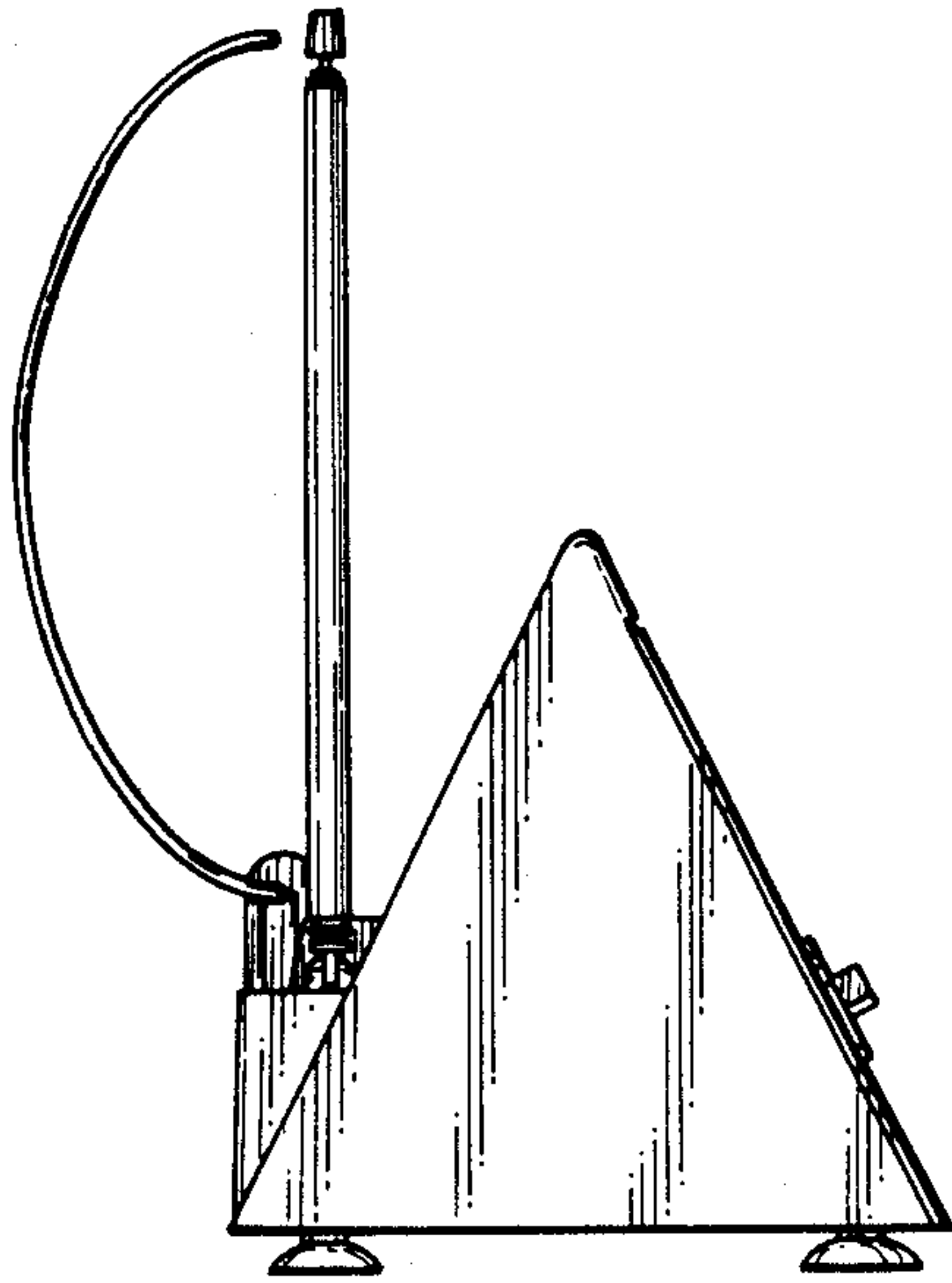


FIG. 5

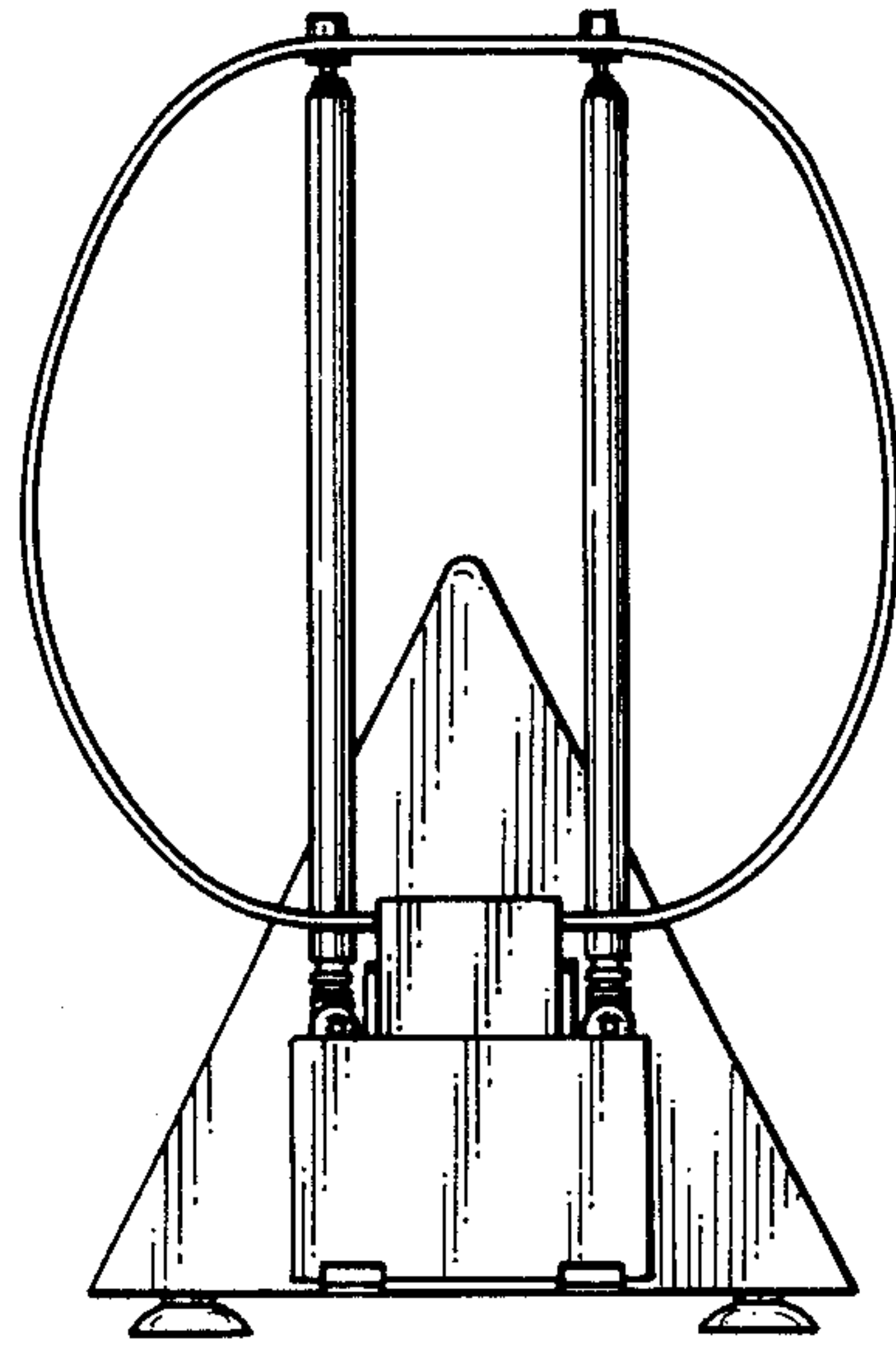


FIG. 6

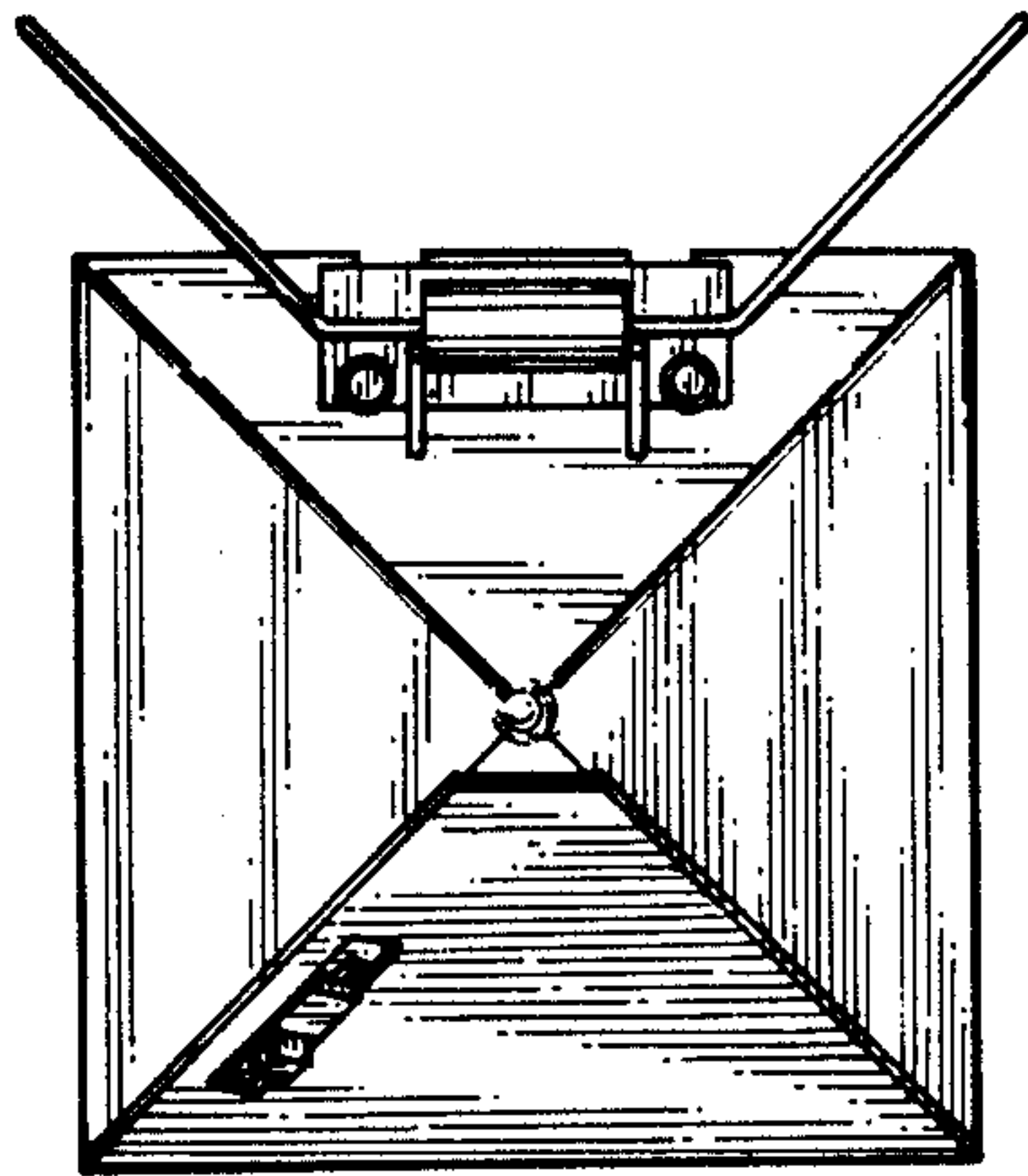


FIG. 7

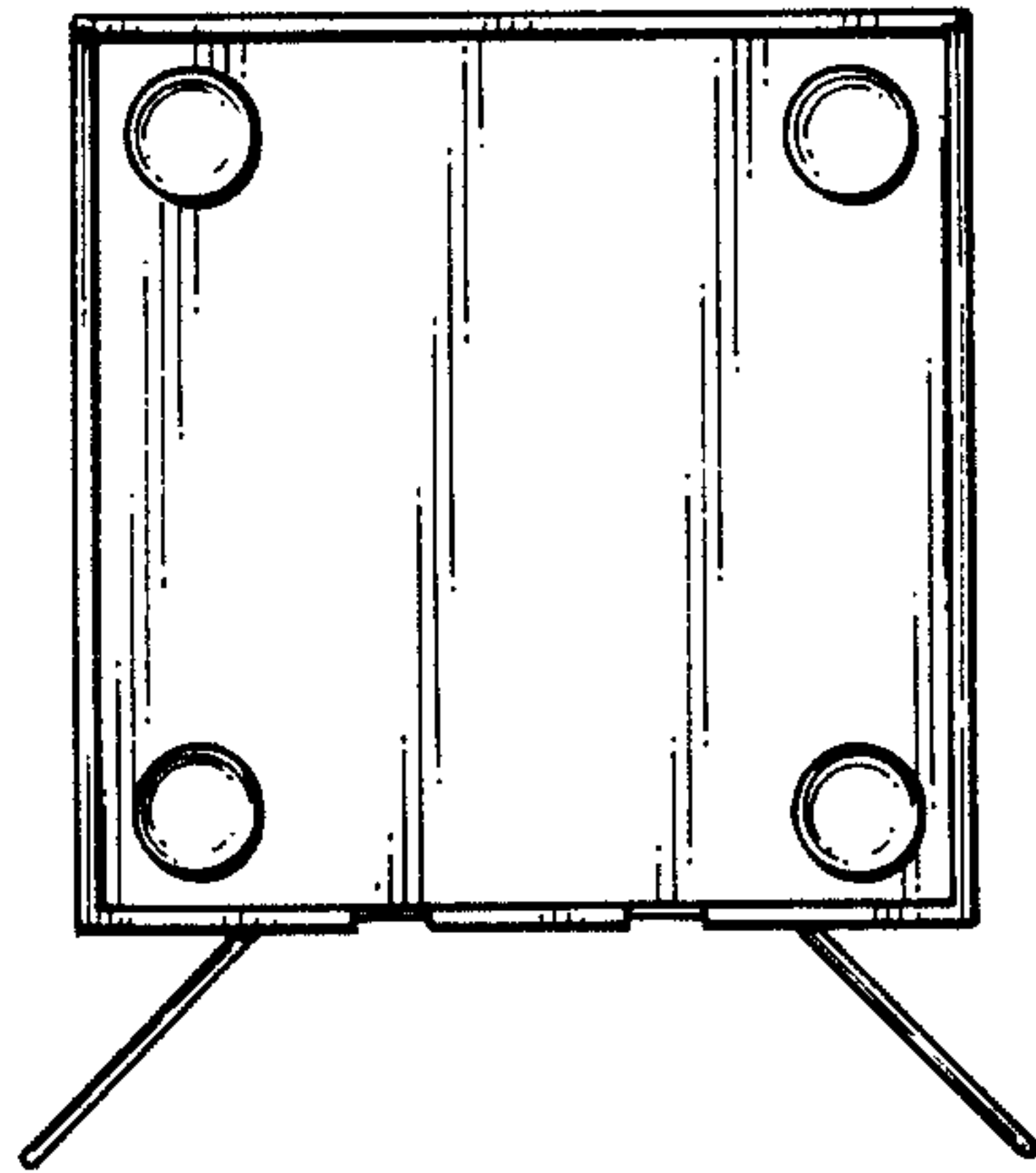


FIG. 8

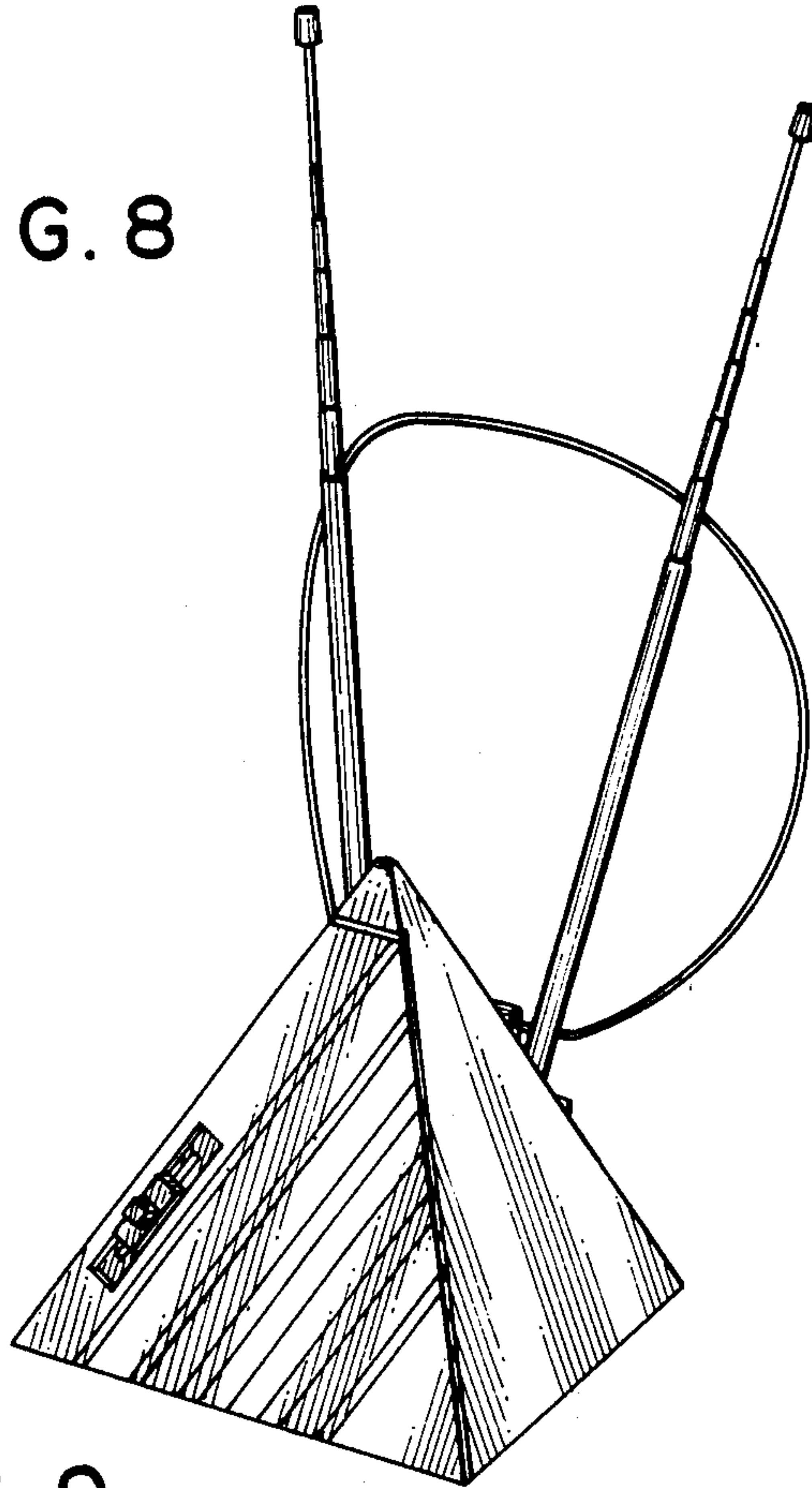


FIG. 9

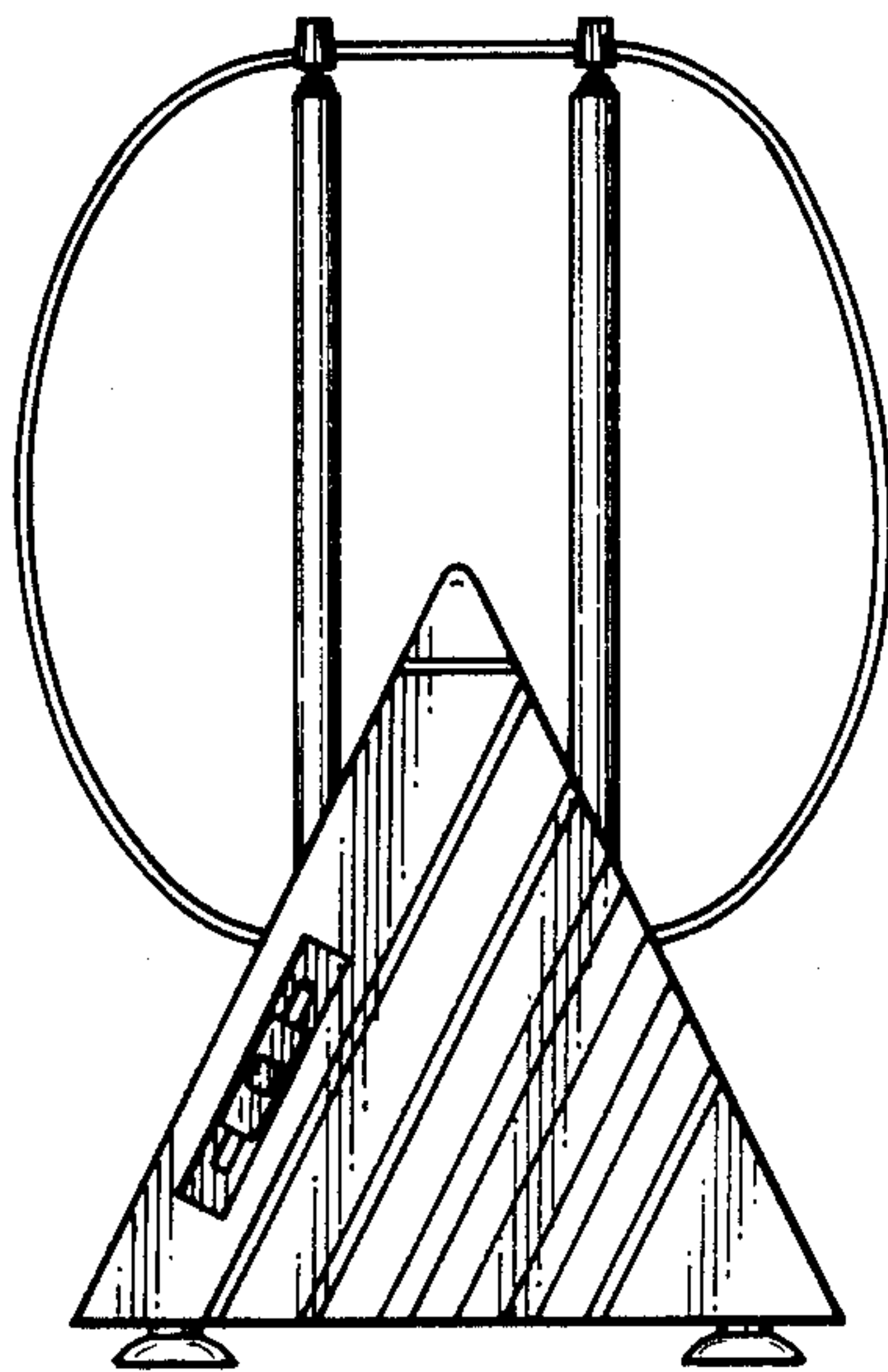


FIG. 10

