

[54] DESKTOP-COMPUTER HOUSING OR SIMILAR ARTICLE

4,680,425 7/1987 Speraw 361/390 X
4,698,707 10/1987 Heys, Jr. et al. 360/97.02
4,740,851 4/1988 Jones et al. 360/99.08

[75] Inventor: Dale C. Bina, Wheaton, Ill.

[73] Assignee: American Telephone and Telegraph Company, New York, N.Y.

[**] Term: 14 Years

[21] Appl. No.: 92,114

[22] Filed: Sep. 2, 1987

[52] U.S. Cl. D14/102

[58] Field of Search D14/100-117;
D13/12, 40, 41; 364/708, 130; 174/50, 52.1;
360/97-99, 133; 361/331, 332, 334, 380,
390-395, 399, 415; 200/5 R, 5 A, 6 R, 6 A;
312/253, 270, 208; 235/375

[56] References Cited

U.S. PATENT DOCUMENTS

D. 278,909 5/1985 Ramos et al. D13/40 X
D. 283,817 5/1986 Sakamoto D14/102
D. 285,202 8/1986 Golden et al. D14/103
D. 285,795 9/1986 Chandler et al. D14/115
D. 297,537 9/1988 Noda et al. D14/109

OTHER PUBLICATIONS

Computer Design, Feb. 1984, p. 103-Tower Annex Disk Drive-Scientific Library.
"The NCR Tower", Datamation, Dec. 1, 1987, pp. 104-105.

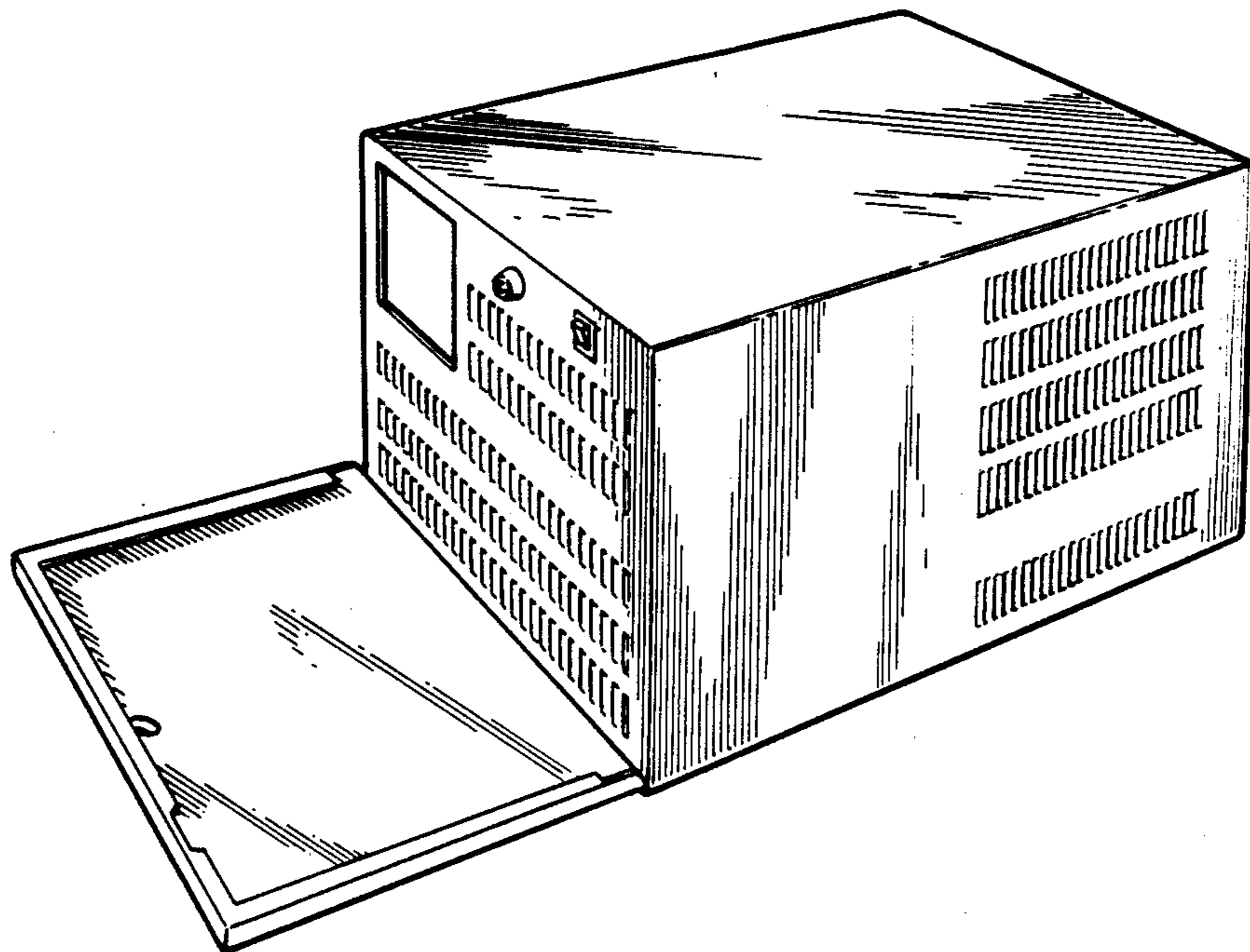
Primary Examiner—Susan J. Lucas
Assistant Examiner—Freda S. Nunn
Attorney, Agent, or Firm—David Volejnicek

[57] CLAIM

The ornamental design for a desktop-computer housing or similar article, as shown and described.

DESCRIPTION

FIG. 1 is a top, front, right side perspective view of the desktop-computer housing or similar article showing my new design having a closed door;
FIG. 2 is a top, front, right side perspective view thereof having an open door;
FIG. 3 is a left side elevational view thereof, the right side being a mirror image; and
FIG. 4 is a rear elevational view thereof.



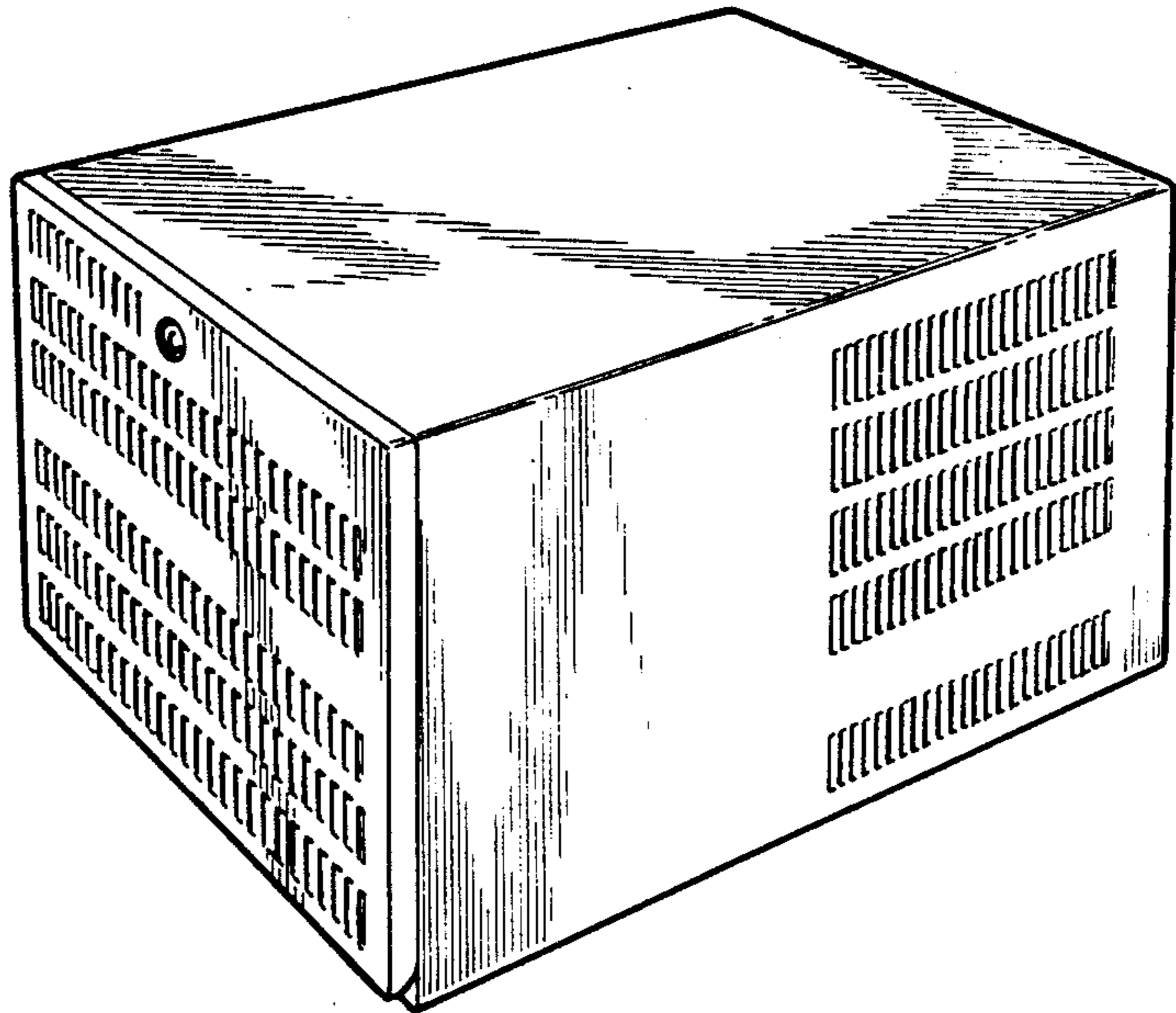


Fig. 1

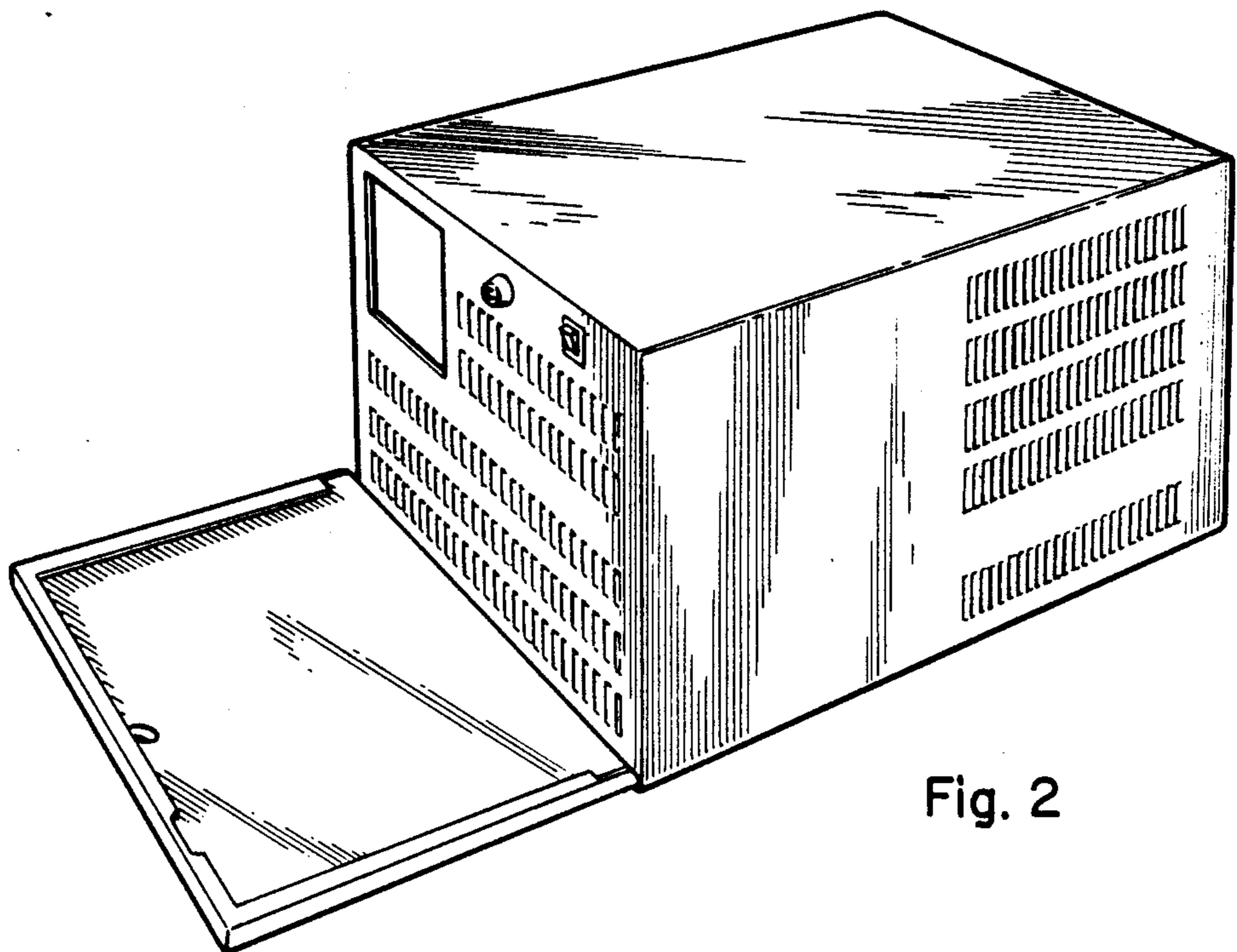


Fig. 2

Fig. 3

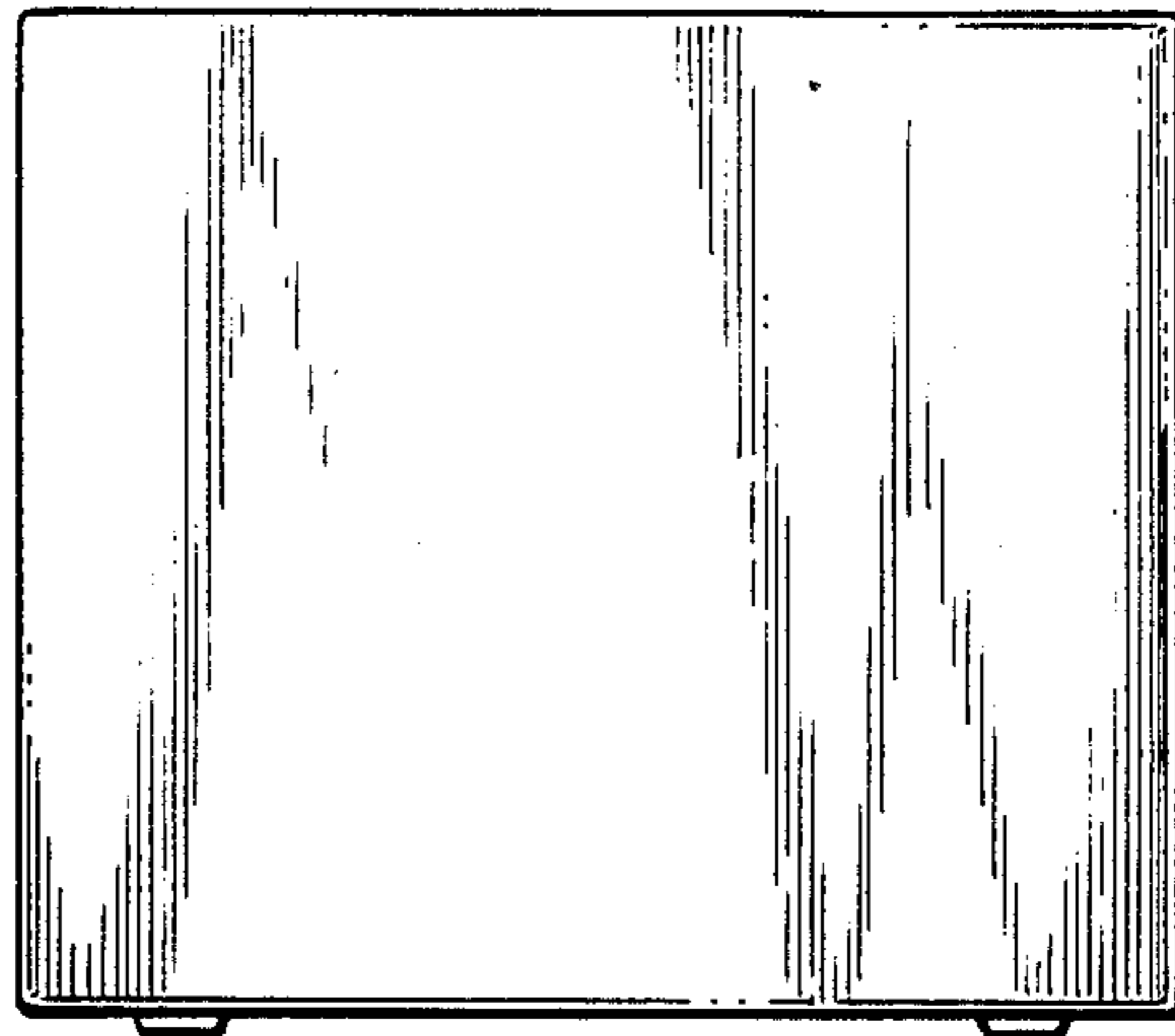
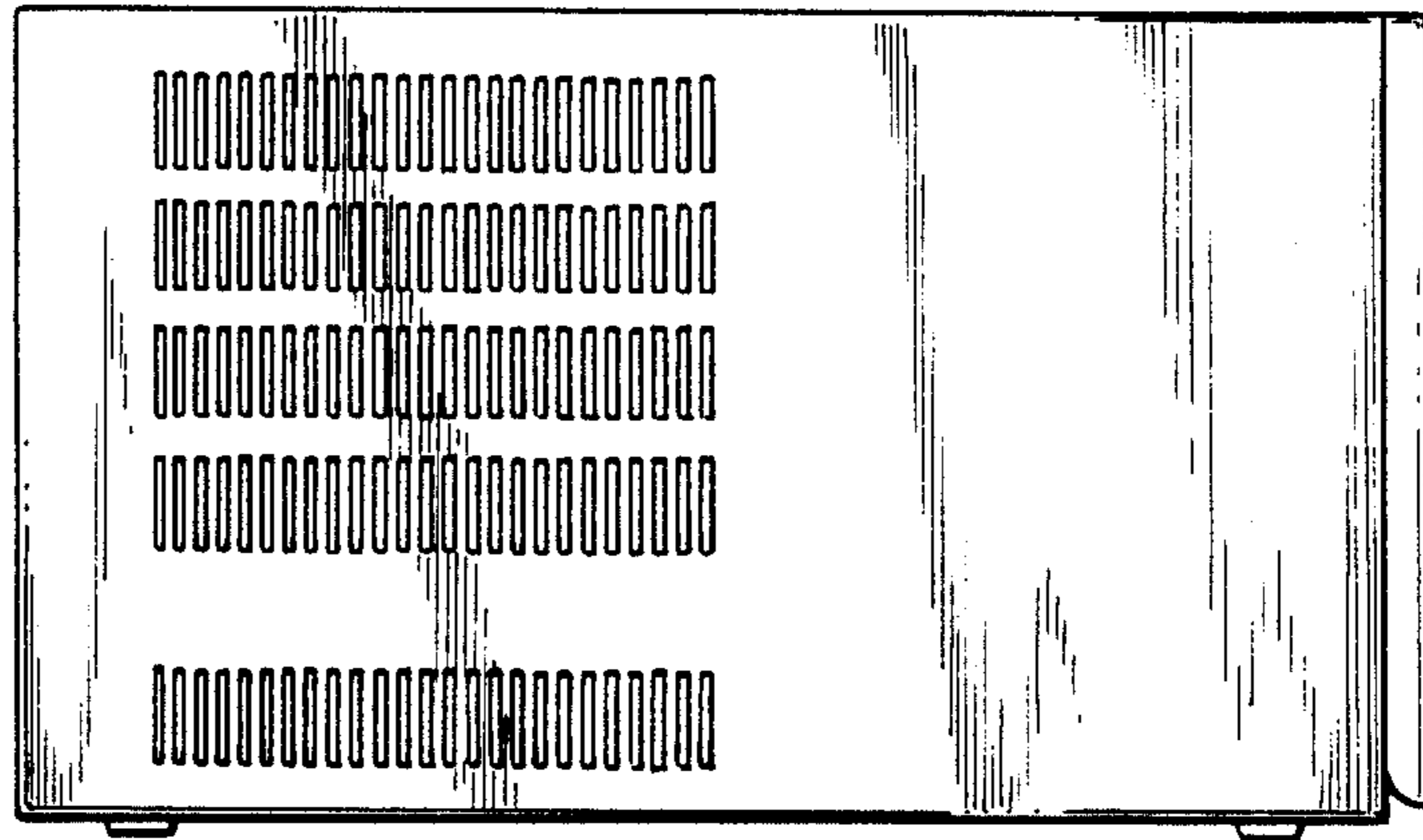


Fig. 4