

[54] **ROCKER SWITCH ASSEMBLY**

[75] Inventor: **Thomas F. Osika**, Valparaiso, Ind.

[73] Assignee: **McGill Manufacturing Company, Inc.**, Valparaiso, Ind.

[**] Term: **14 Years**

[21] Appl. No.: **186,794**

[22] Filed: **Apr. 27, 1988**

[52] U.S. Cl. **D13/169**

[58] Field of Search **D13/32, 37; 200/295, 200/302.3, 310, 315, 339, 553**

[56] **References Cited**

U.S. PATENT DOCUMENTS

- D. 254,909 5/1980 Sano D13/37
- D. 284,277 6/1986 Sorenson D13/37

OTHER PUBLICATIONS

Carling Switch Rocker Switches on p. 55 of *Design News*, 5-7-79.

Rocker Switch pictured on p. 105 of *Design News*, 12-1-6-85.

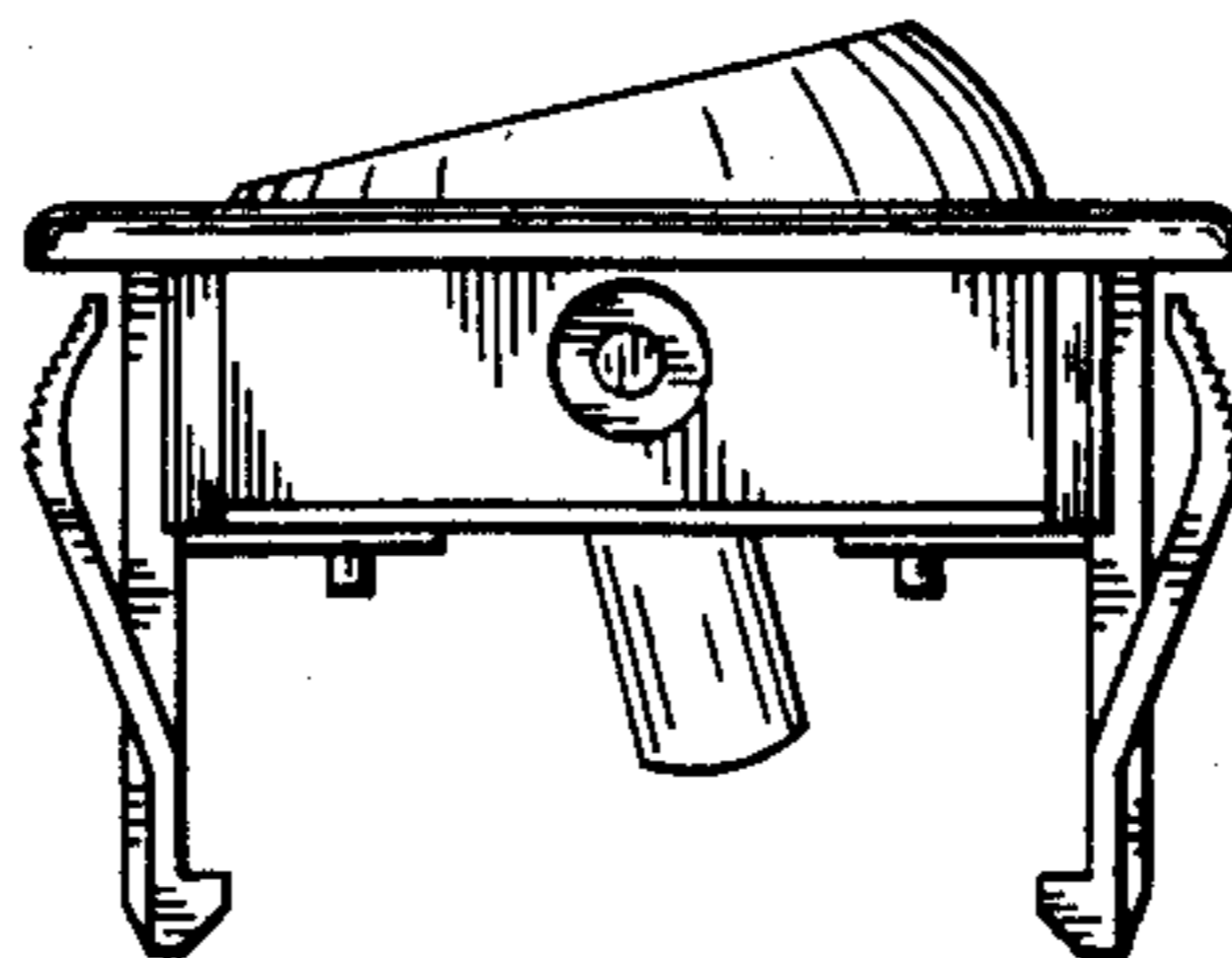
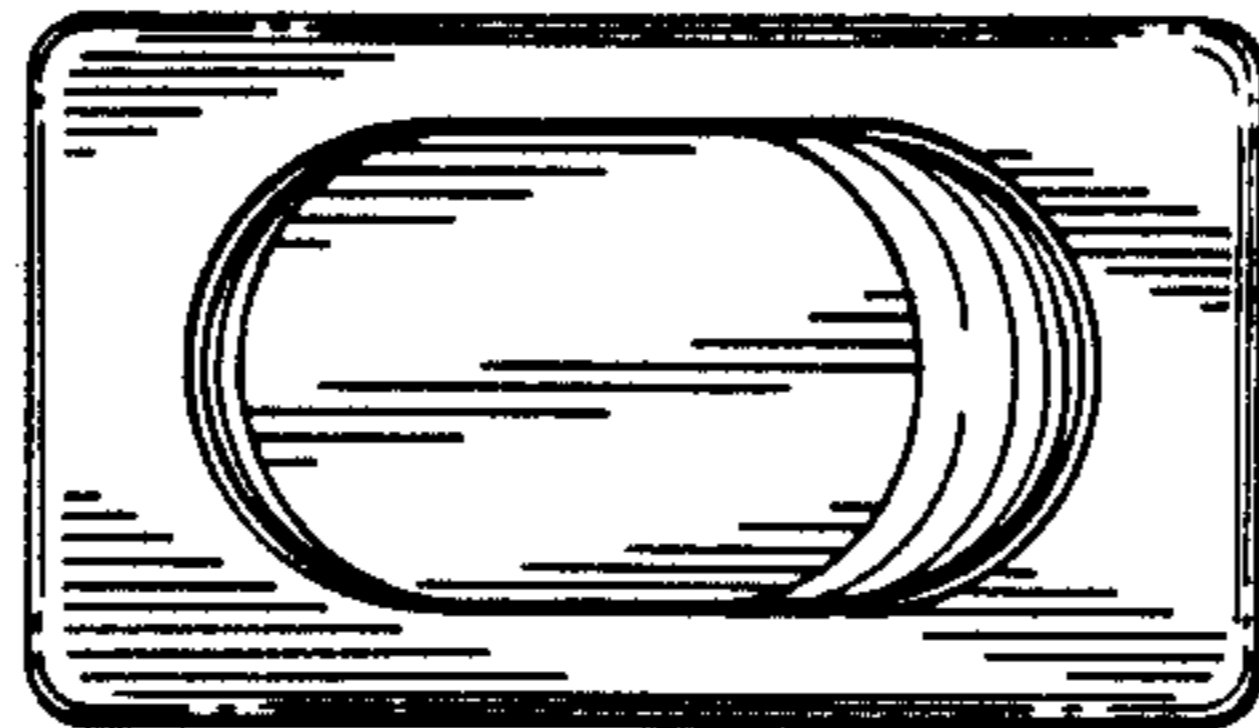
Primary Examiner—Susan J. Lucas
Assistant Examiner—Joel Sincavage
Attorney, Agent, or Firm—Leydig, Voit & Mayer

[57] **CLAIM**

The ornamental design for a rocker switch assembly, as shown and described.

DESCRIPTION

FIG. 1 is a top plan view of a rocker switch assembly embodying the design of the present invention; FIG. 2 is a right side elevational view thereof; FIG. 3 is an end elevational view thereof, the opposite end being a mirror image; FIG. 4 is a top plan view of a second embodiment of rocker switch assembly showing my design, which includes an indicator lamp lens in the rocker; and FIG. 5 is a top plan view of a third embodiment of rocker switch assembly showing my design, incorporating a pair of indicator lamp lenses in the rocker.



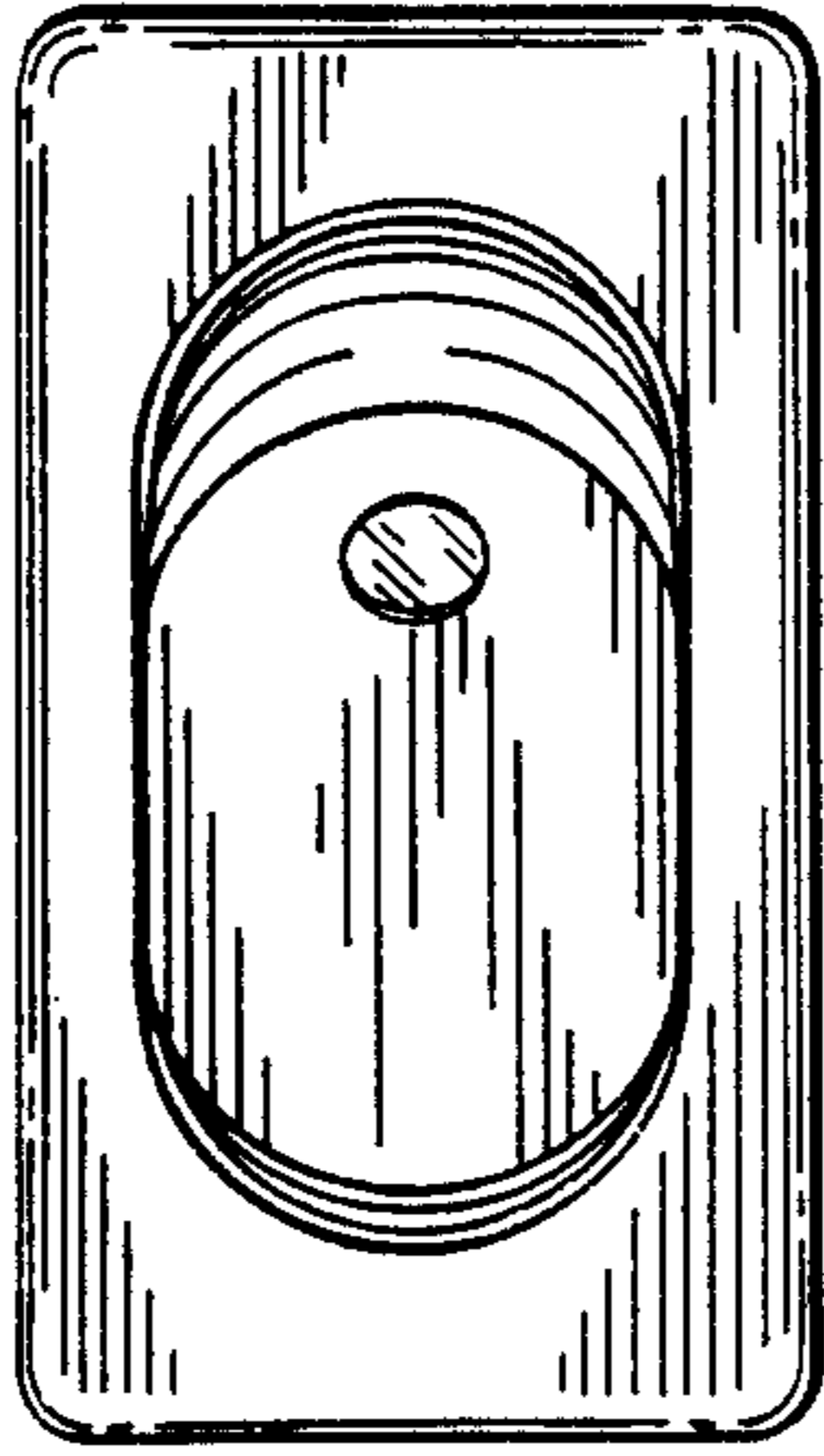


FIG. 4

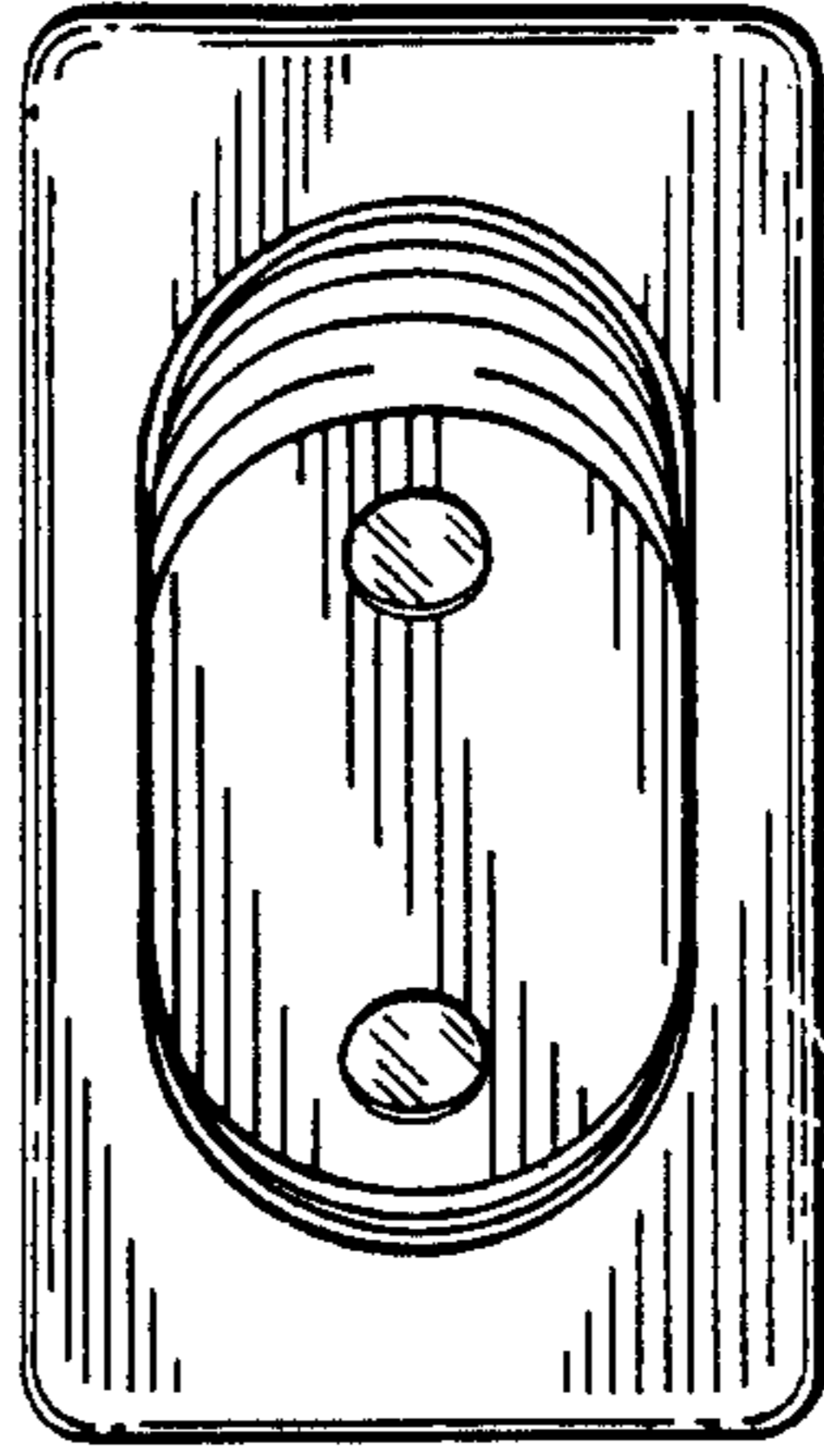


FIG. 5

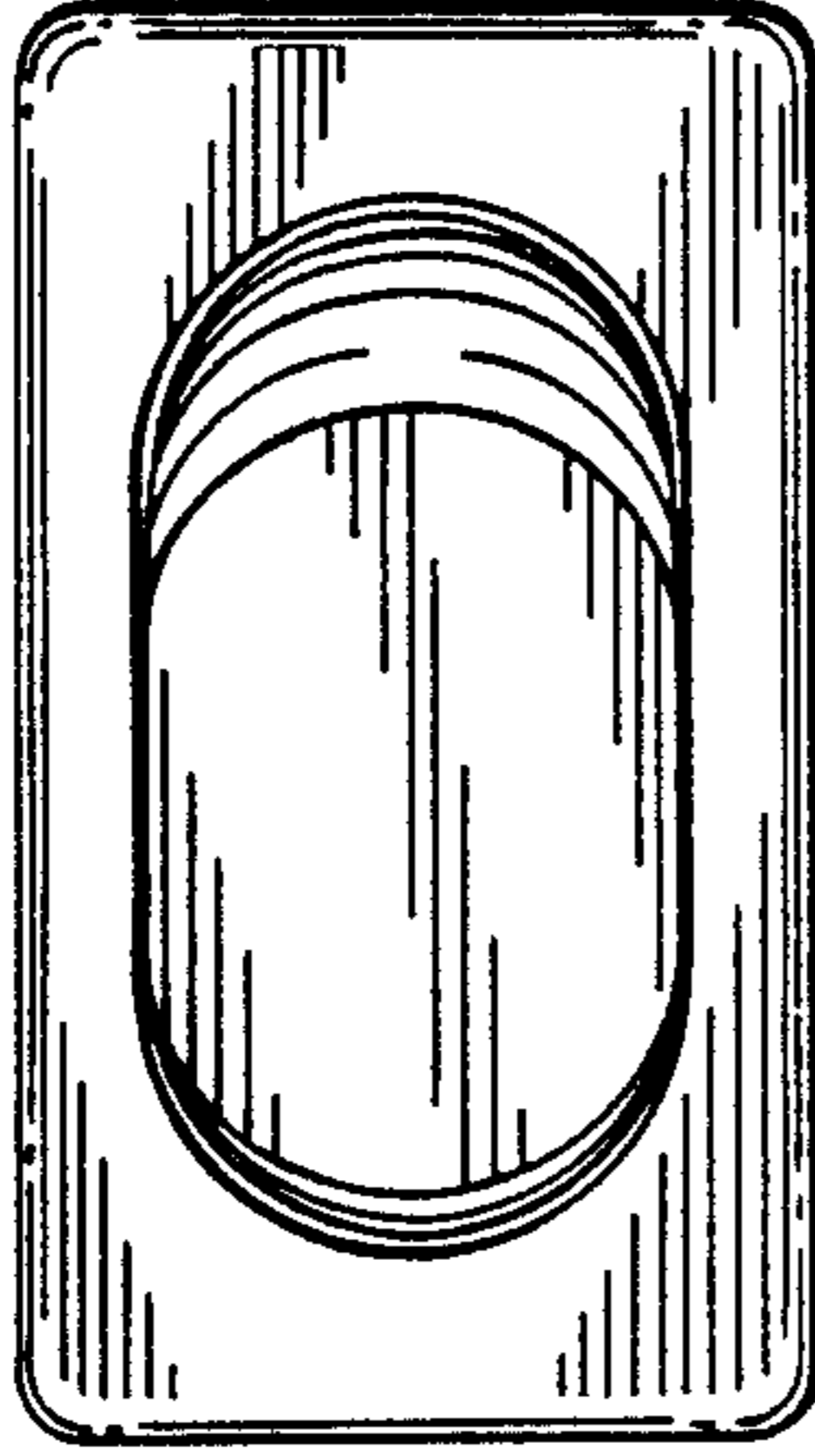


FIG. 1

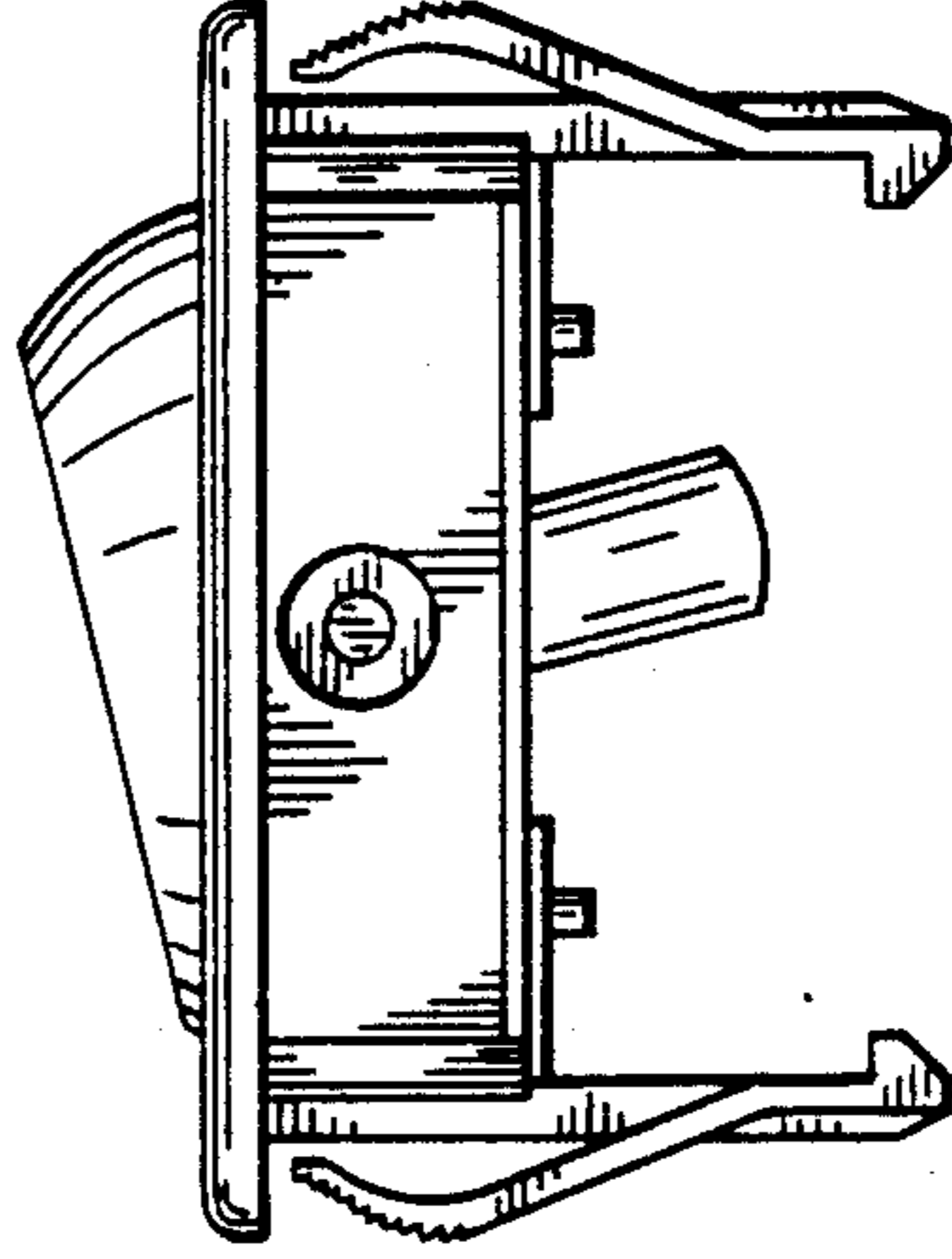


FIG. 3

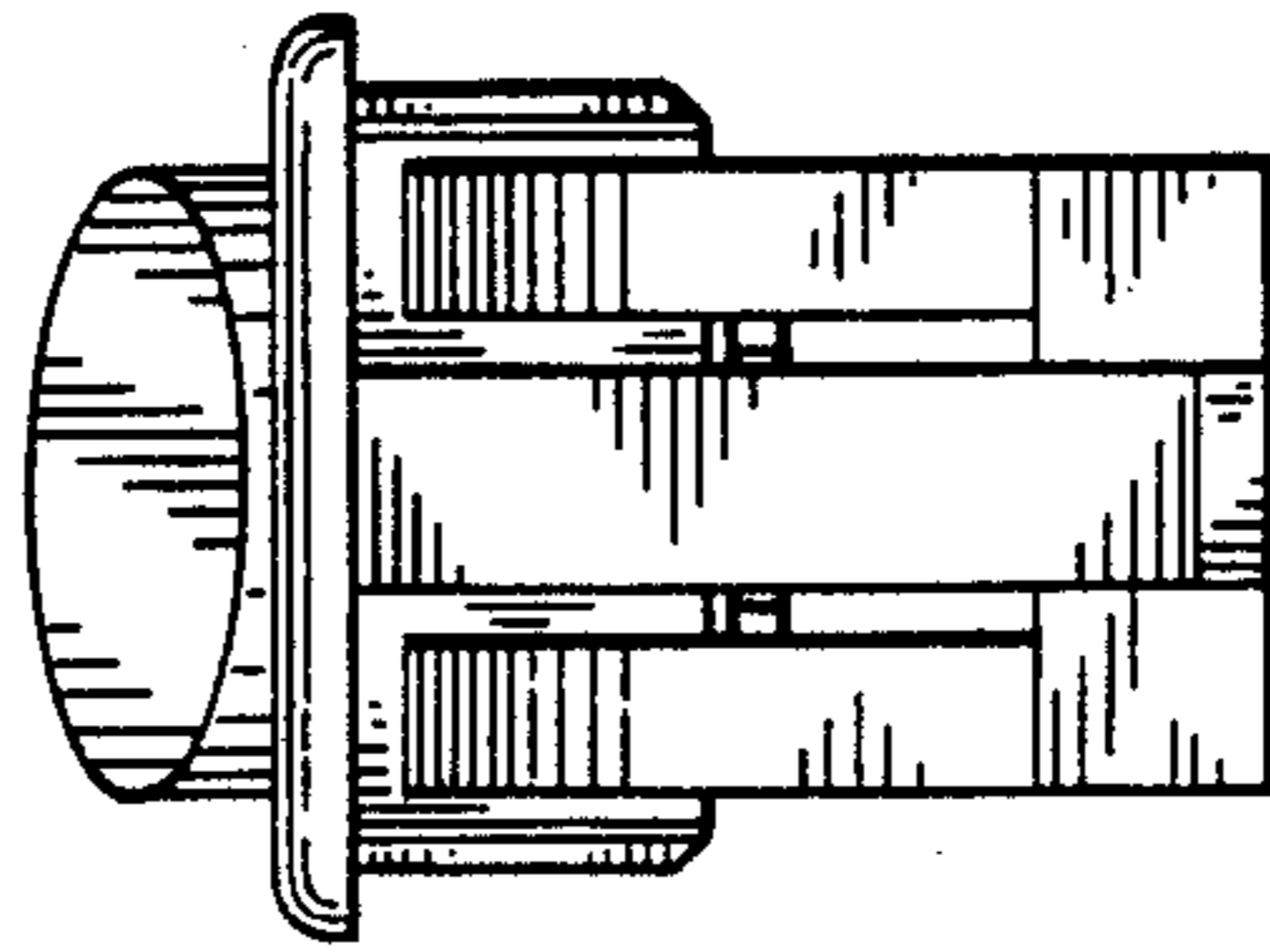


FIG. 2