

# United States Patent [19]

Grace

[11] Patent Number: **Des. 308,960**

[45] Date of Patent: **\*\* Jul. 3, 1990**

[54] **HOLDER FOR STORING FLARES FOR USE IN BOATS**

2,579,947 12/1951 McIlwaine ..... 248/314  
4,515,335 5/1985 DeRosett ..... 114/364

[76] Inventor: **Roy M. Grace**, 6 Horatio Street,  
Modbury, South Australia, Australia

### FOREIGN PATENT DOCUMENTS

2902778 8/1979 Fed. Rep. of Germany ..... 114/343

[\*\*] Term: **14 Years**

*Primary Examiner*—Wallace R. Burke

*Assistant Examiner*—Kay H. Chin

*Attorney, Agent, or Firm*—Rodman & Rodman

[21] Appl. No.: **934,930**

[22] Filed: **Nov. 25, 1986**

[52] U.S. Cl. .... **D12/317**

[58] Field of Search ..... **D12/317, 318; 114/343,**  
**114/364; 248/314, 310, 231.5; D8/373**

[57] **CLAIM**

The ornamental design for a holder for storing flares for use in boats, as shown and described.

[56] **References Cited**

### U.S. PATENT DOCUMENTS

D. 186,861 12/1959 Cook, Jr. .... D12/317

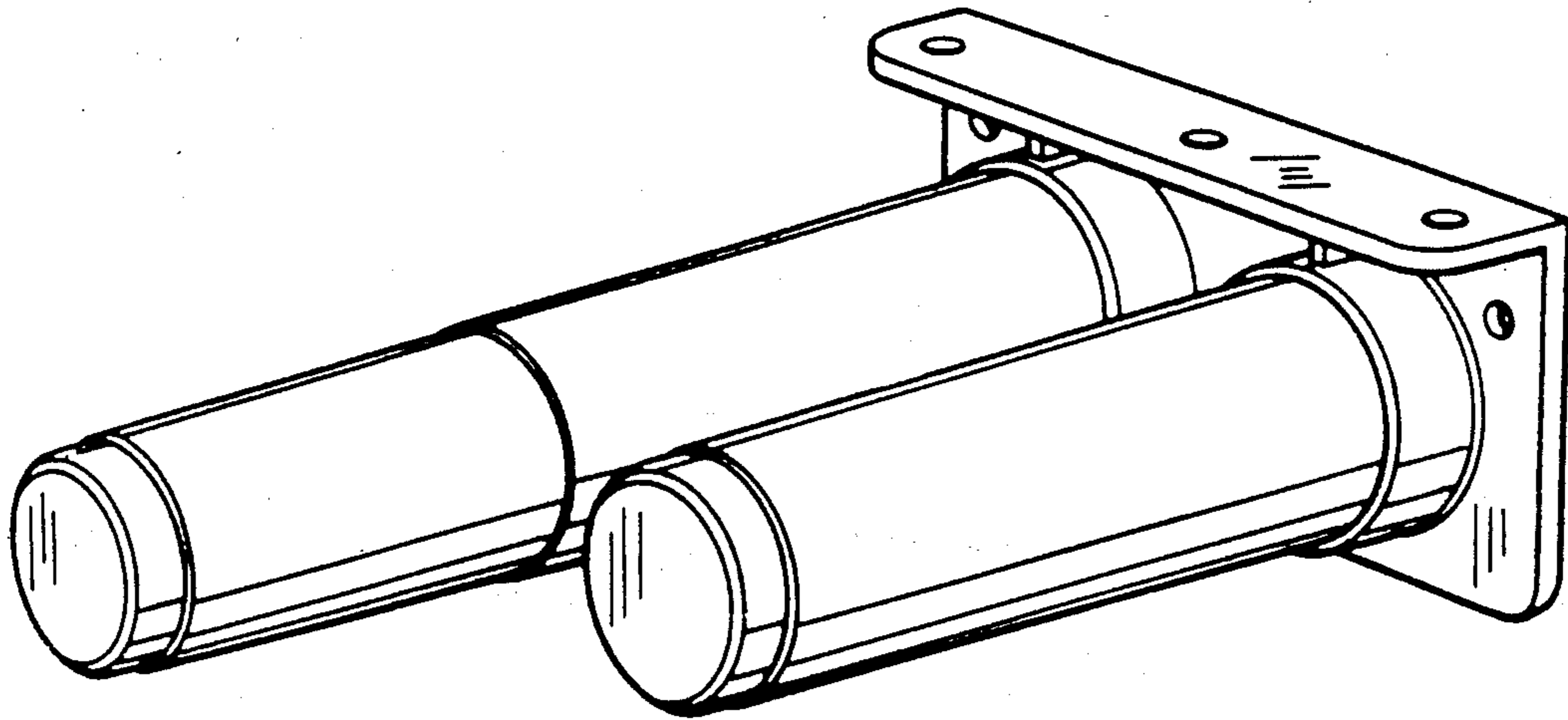
D. 191,336 9/1961 Griparis ..... D12/317

### DESCRIPTION

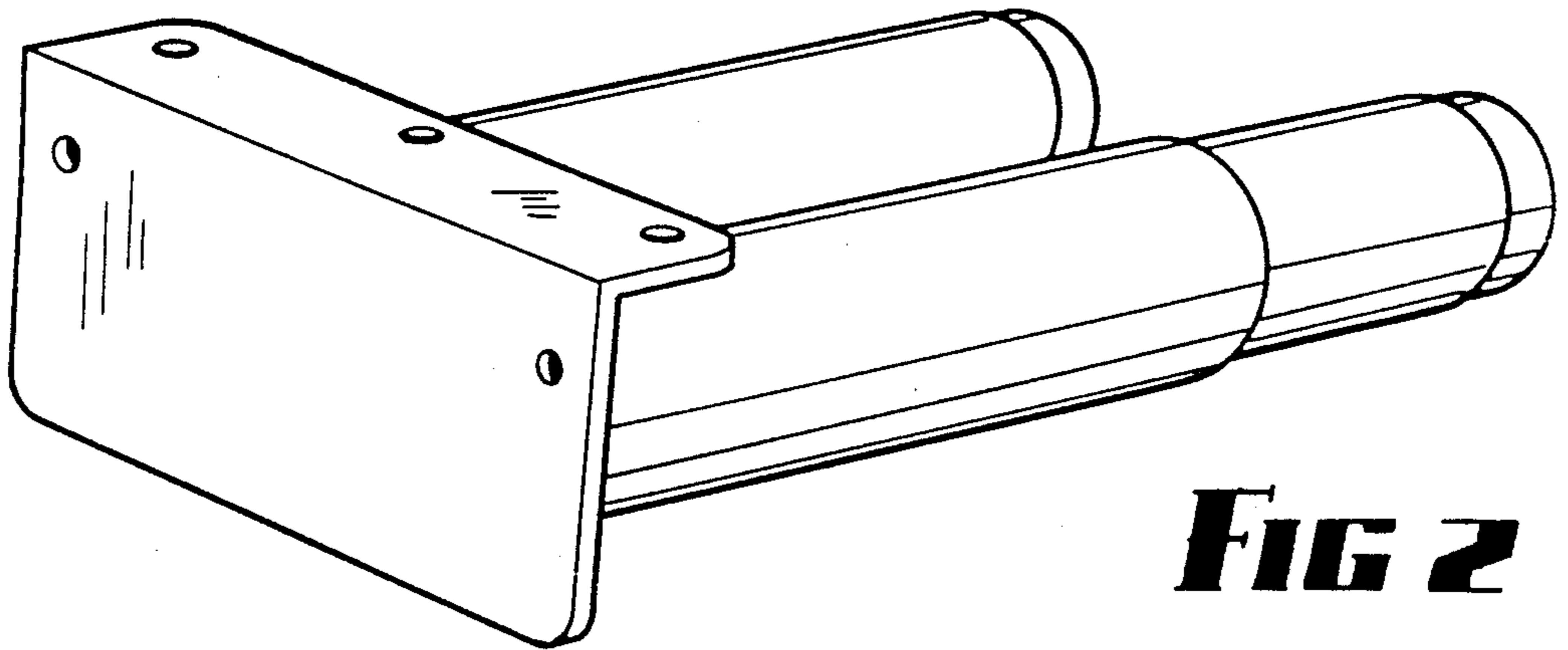
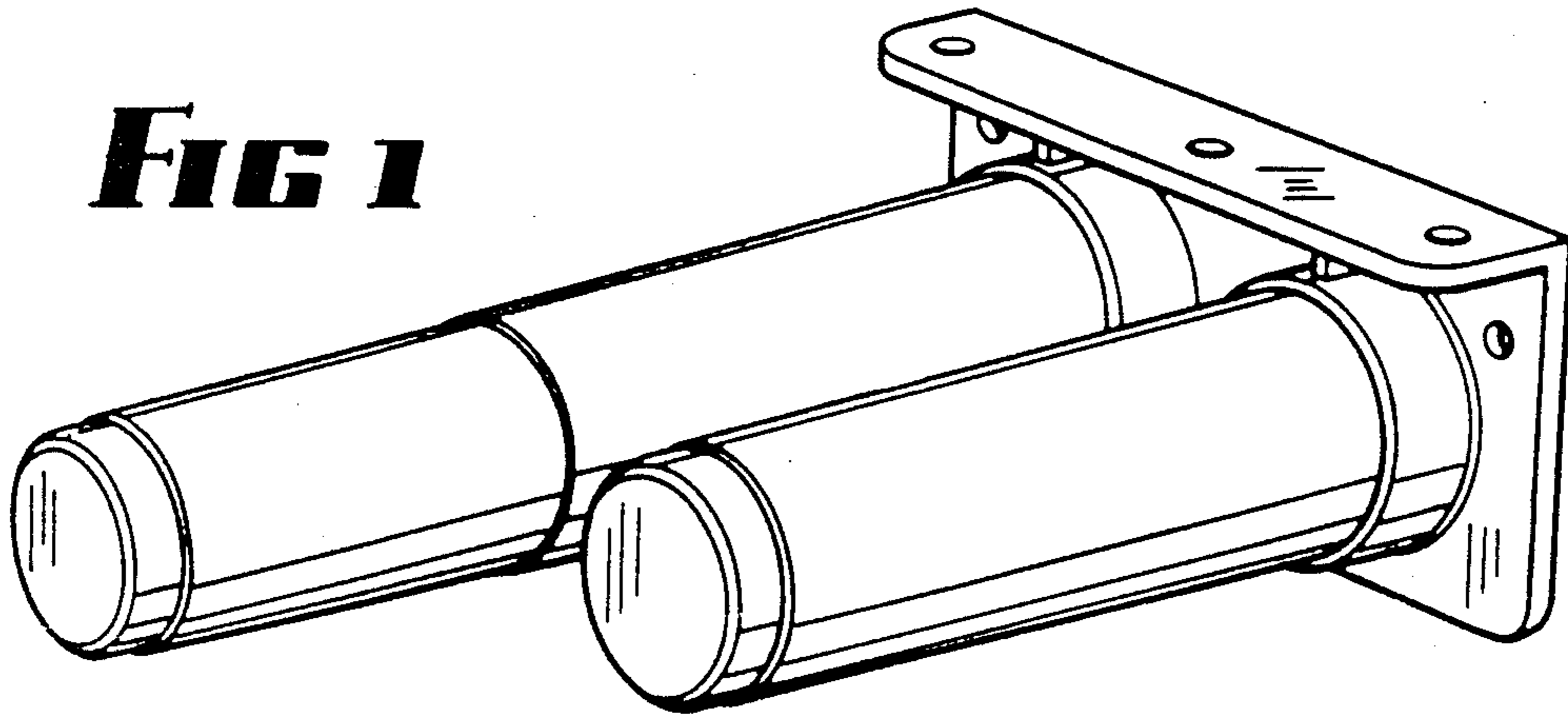
FIG. 1 is a top perspective view of a holder for storing flares for use in boats showing my new design;

FIG. 2 is a rear perspective view thereof;

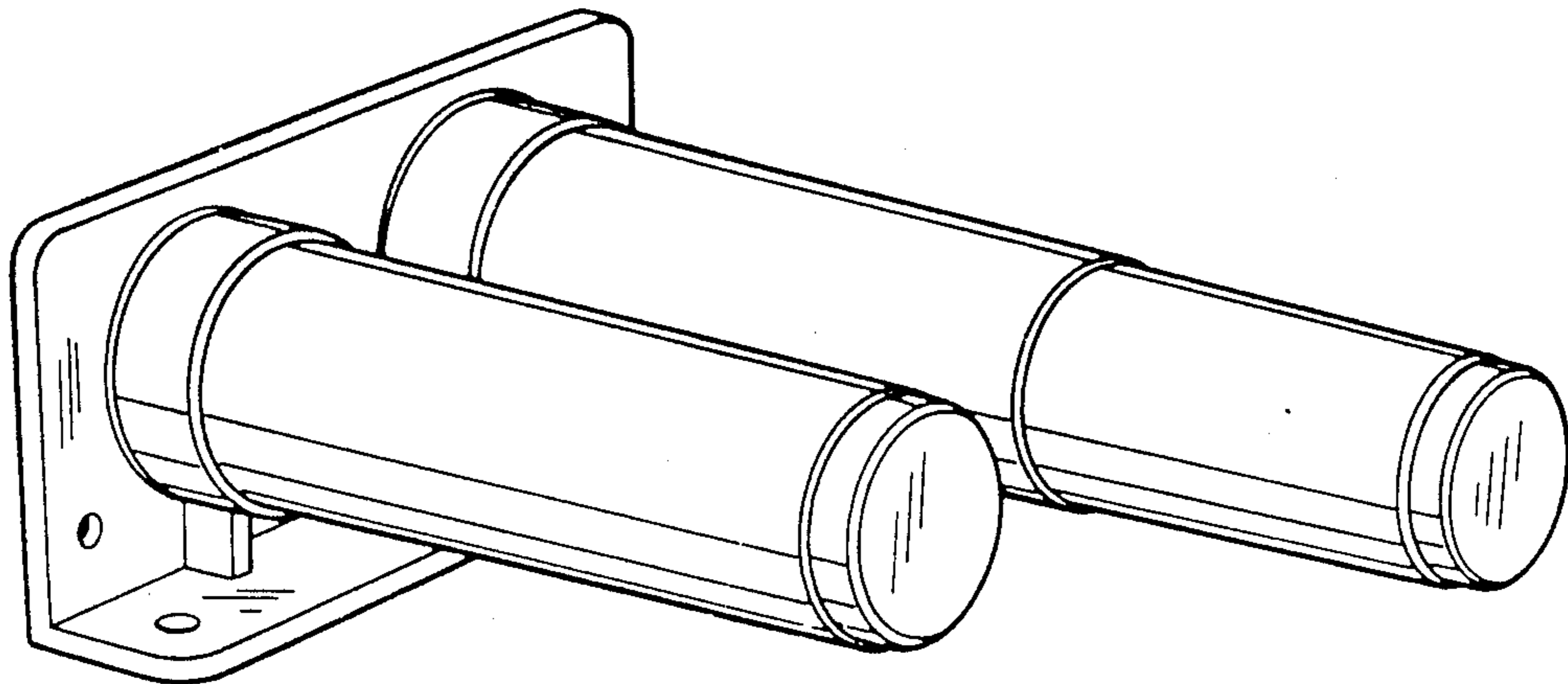
FIG. 3 is an inverted bottom perspective view thereof.



**FIG 1**



**FIG 2**



**FIG 3**