

United States Patent [19]

Knox

[11] Patent Number: **Des. 308,958**

[45] Date of Patent: **** Jul. 3, 1990**

[54] **VEHICULAR MUDFLAP**
[76] Inventor: **Ronald A. Knox**, 13262 Edinburgh Dr., Westminster, Calif. 92683

3,244,432 4/1966 Ambli 280/851
3,700,260 10/1972 Moore et al. 280/851
3,778,086 12/1973 Moore et al. 280/851
4,572,532 2/1986 Early et al. 280/851

[**] Term: **14 Years**

Primary Examiner—James M. Gandy
Attorney, Agent, or Firm—Edward E. Roberts

[21] Appl. No.: **291,993**

[57] **CLAIM**

[22] Filed: **Dec. 30, 1988**

The ornamental design for a vehicular mudflap, as shown.

[52] U.S. Cl. **D12/185**

[58] Field of Search **D12/185; 280/851**

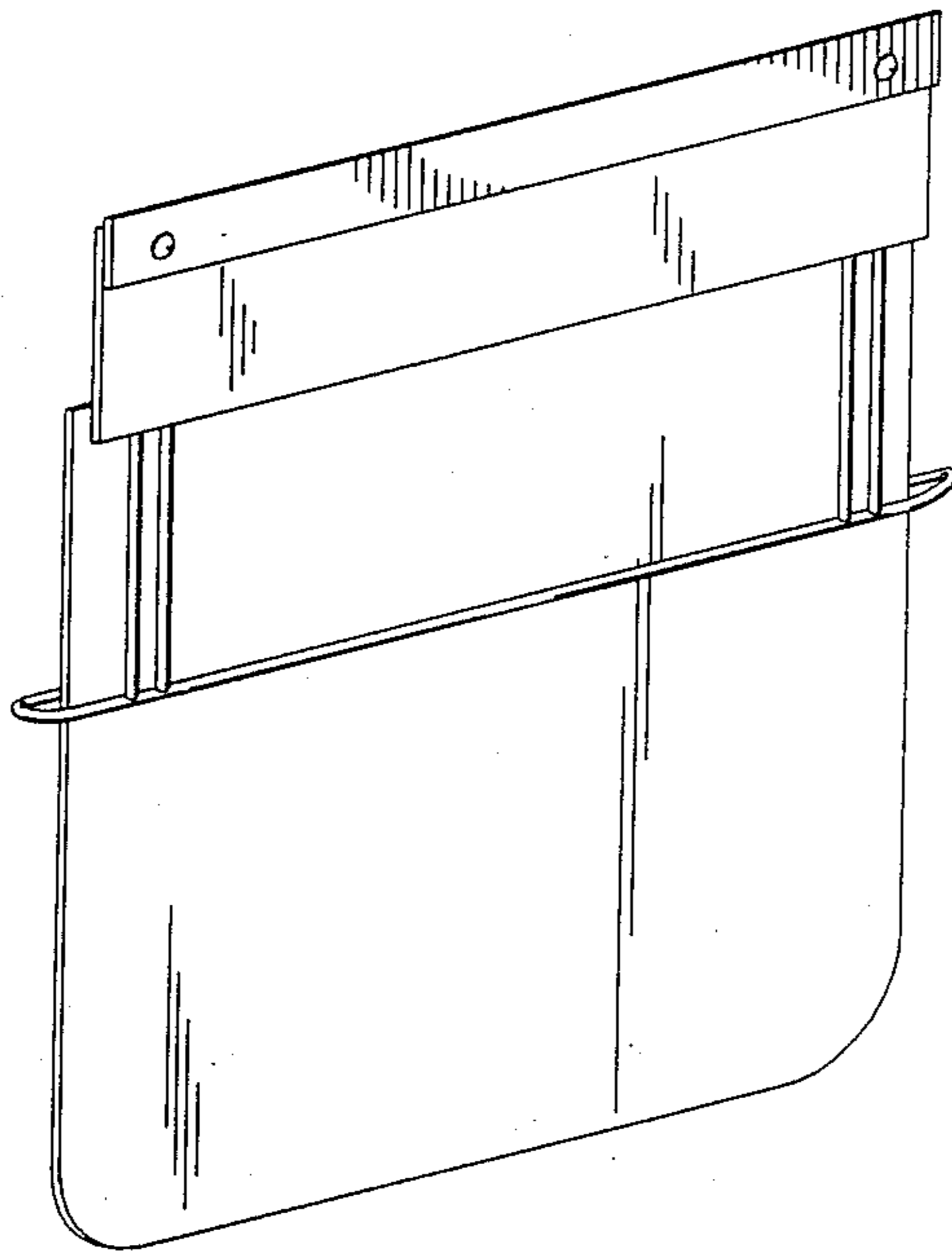
[56] **References Cited**

DESCRIPTION

U.S. PATENT DOCUMENTS

3,091,478 5/1963 Ambli 280/851

FIG. 1 is a perspective front view of a vehicular mudflap showing my new design; and
FIG. 2 is a perspective back view thereof.



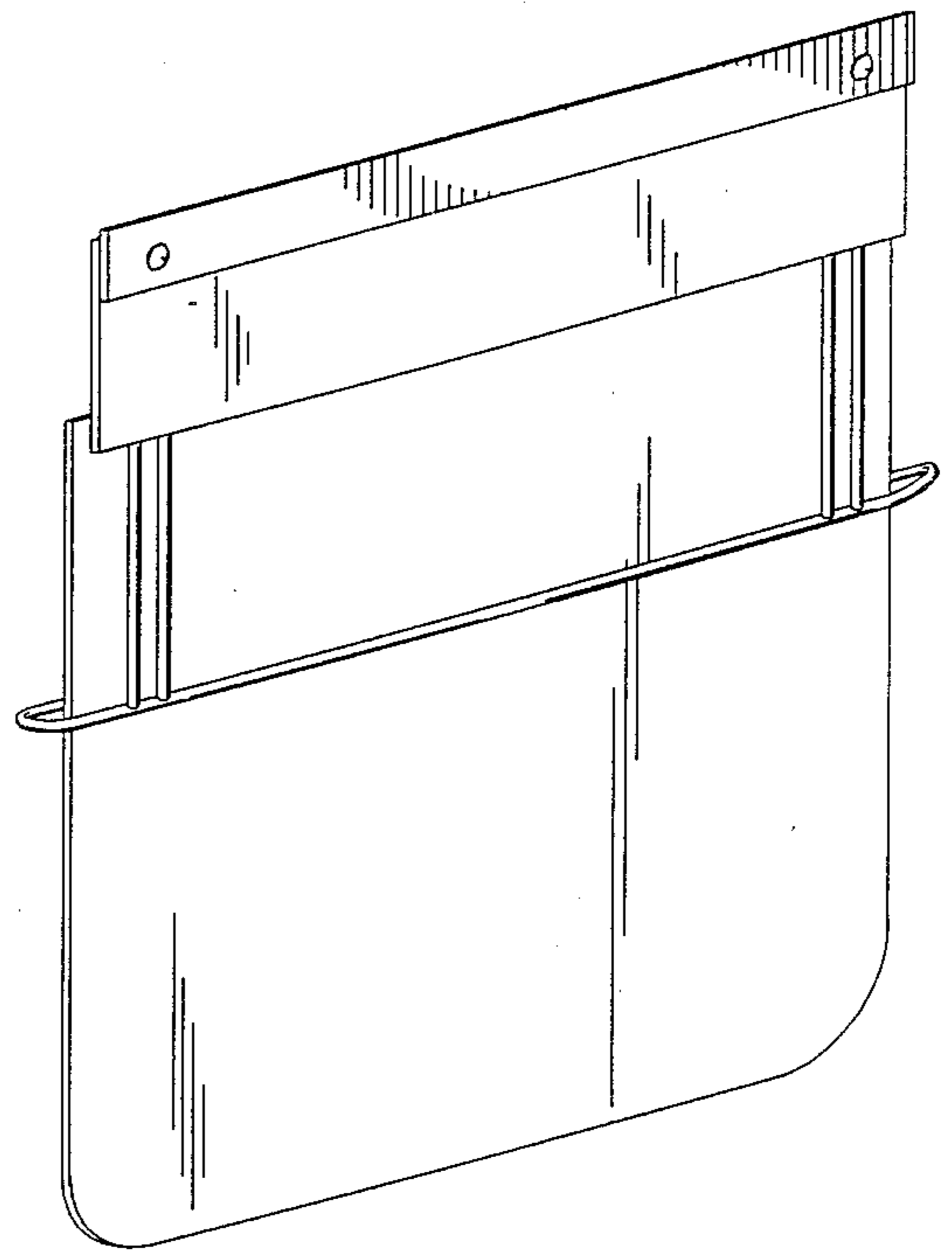


FIG. 1

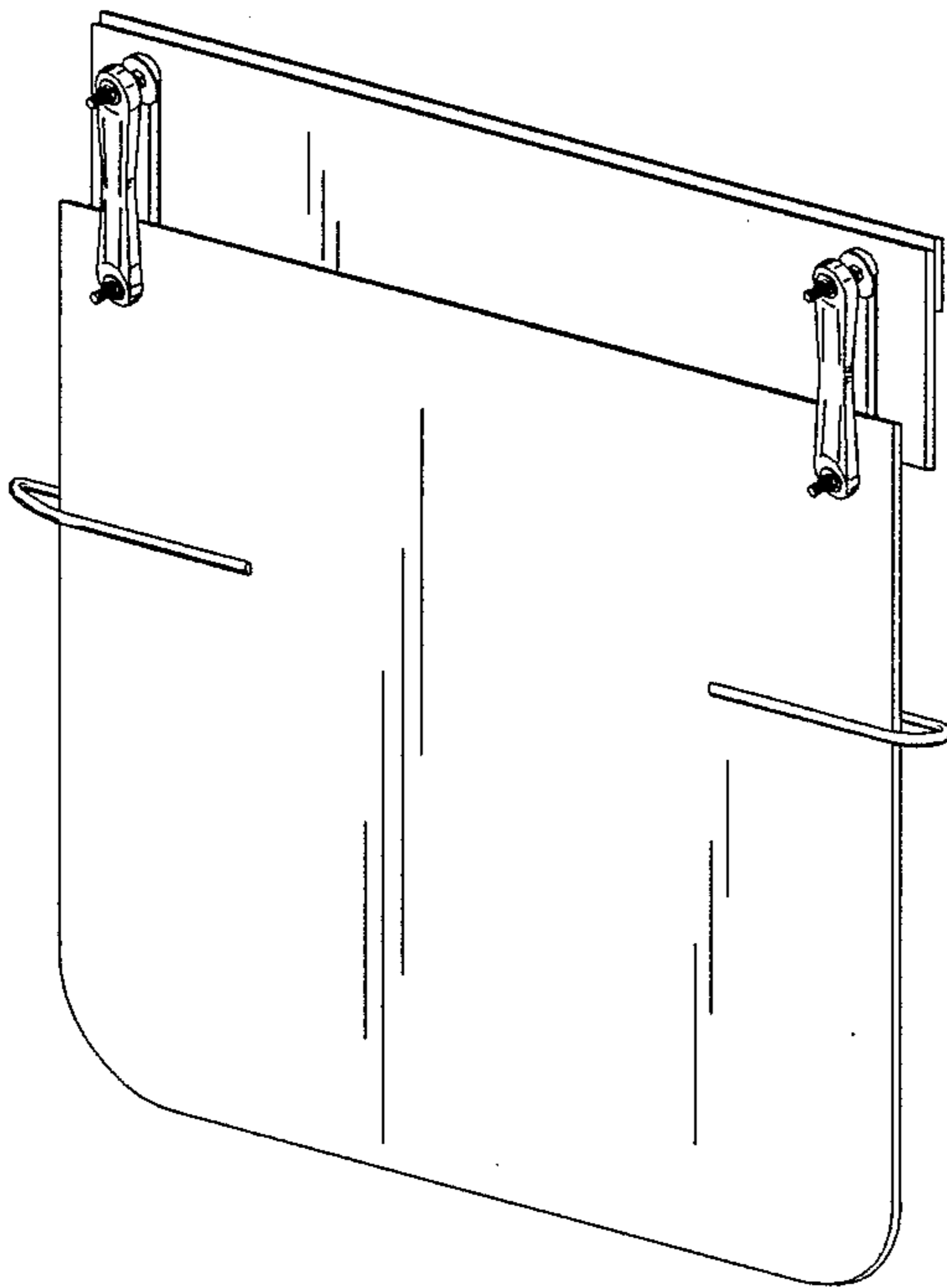


FIG. 2