

[54] PENDANT EARRING OR SIMILAR ARTICLE

169,940 11/1875 Alden ..... D11/43  
4,723,422 2/1988 Foster ..... D11/75

[75] Inventor: Paolo Bulgari, Rome, Italy

[73] Assignee: Partecipazioni Bulgari, S.p.A., Rome, Italy

[\*\*] Term: 14 Years

[21] Appl. No.: 218,041

[22] Filed: Jul. 13, 1988

[30] Foreign Application Priority Data

Jan. 14, 1988 [IB] Int'l Pat. Institute ..... DM/010065

[52] U.S. Cl. .... D11/43; D11/42; D11/76

[58] Field of Search ..... D11/1-3, D11/40-49, 29, 75-76, 14, 56, 79-81, 226; 63/1.1, 2, 12, 13, 14.1

[56] References Cited

U.S. PATENT DOCUMENTS

D. 64,445 2/1924 Dobie ..... D11/43

Primary Examiner—Louis S. Zarfes  
Assistant Examiner—R. T. Seifert  
Attorney, Agent, or Firm—Barnes, Kisselle, Raisch, Choate, Whittemore & Hulbert

[57] CLAIM

The ornamental design for a pendant earring, as shown and described.

DESCRIPTION

FIG. 1 is a front elevational view of a pendant earring showing my new design;  
FIG. 2 is a right side elevational view of FIG. 1 in the open position;  
FIG. 3 is a rear elevational view of FIG. 1 in the open position;  
FIG. 4 is a top plan view of FIG. 1 in the open position; and  
FIG. 5 is a bottom plan view of FIG. 1 in the open position.

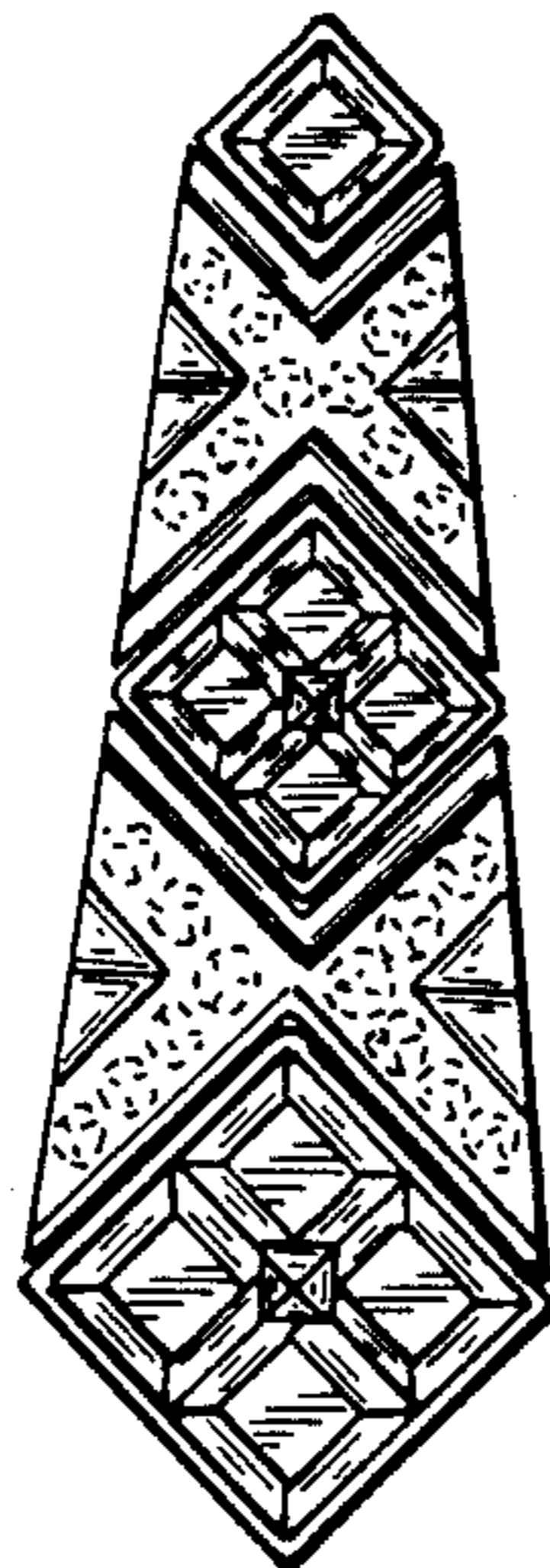
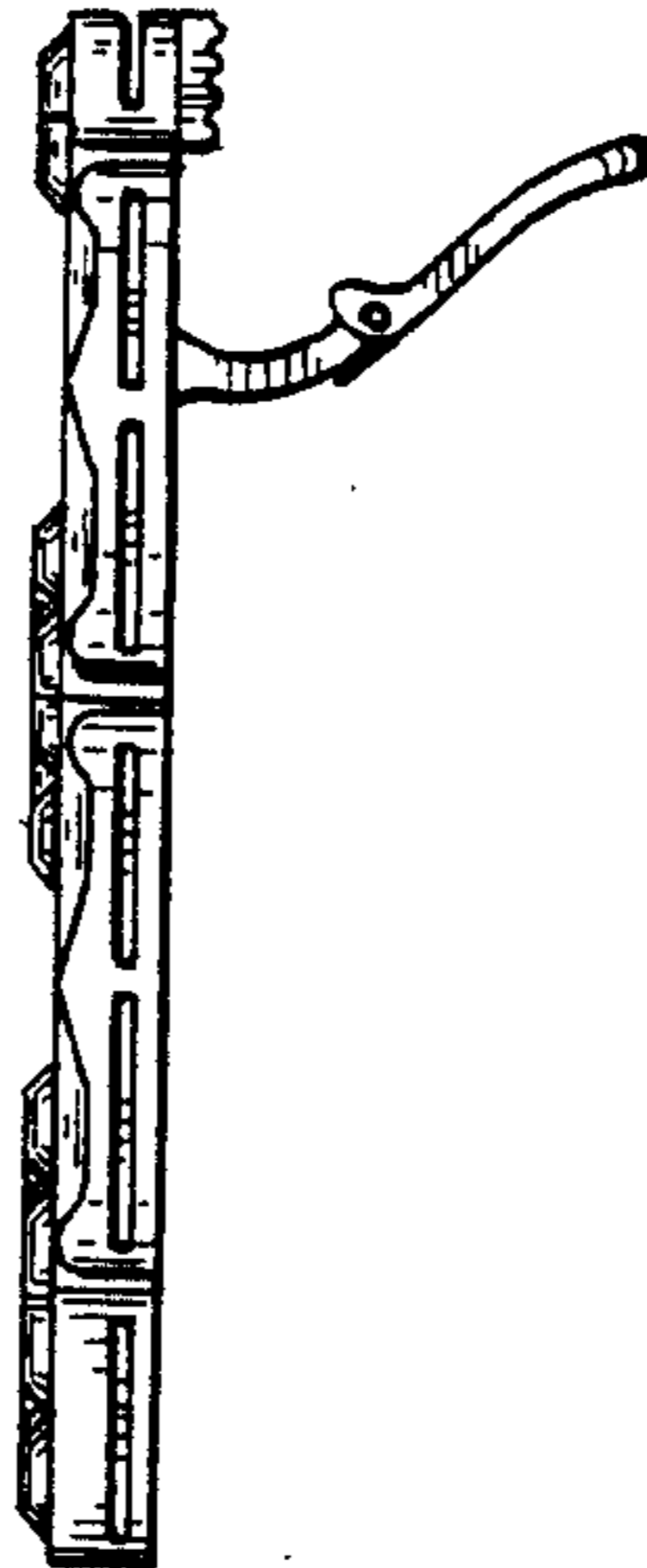


FIG. 1

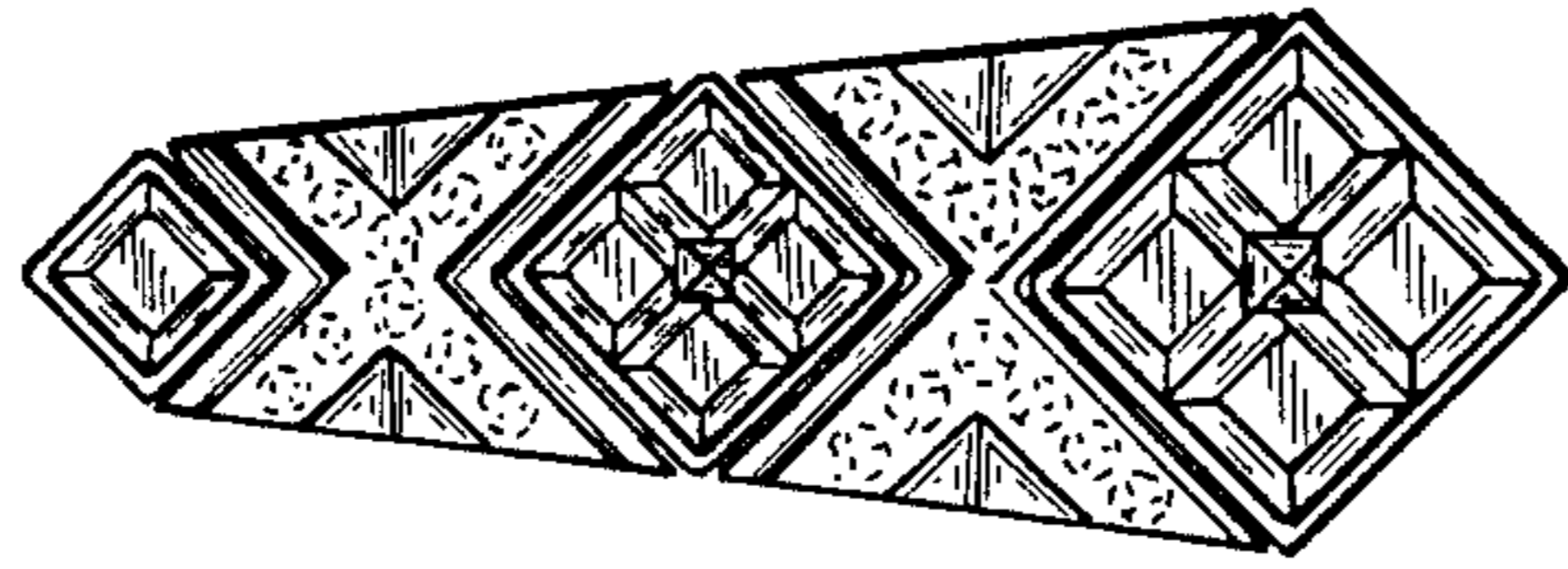


FIG. 2

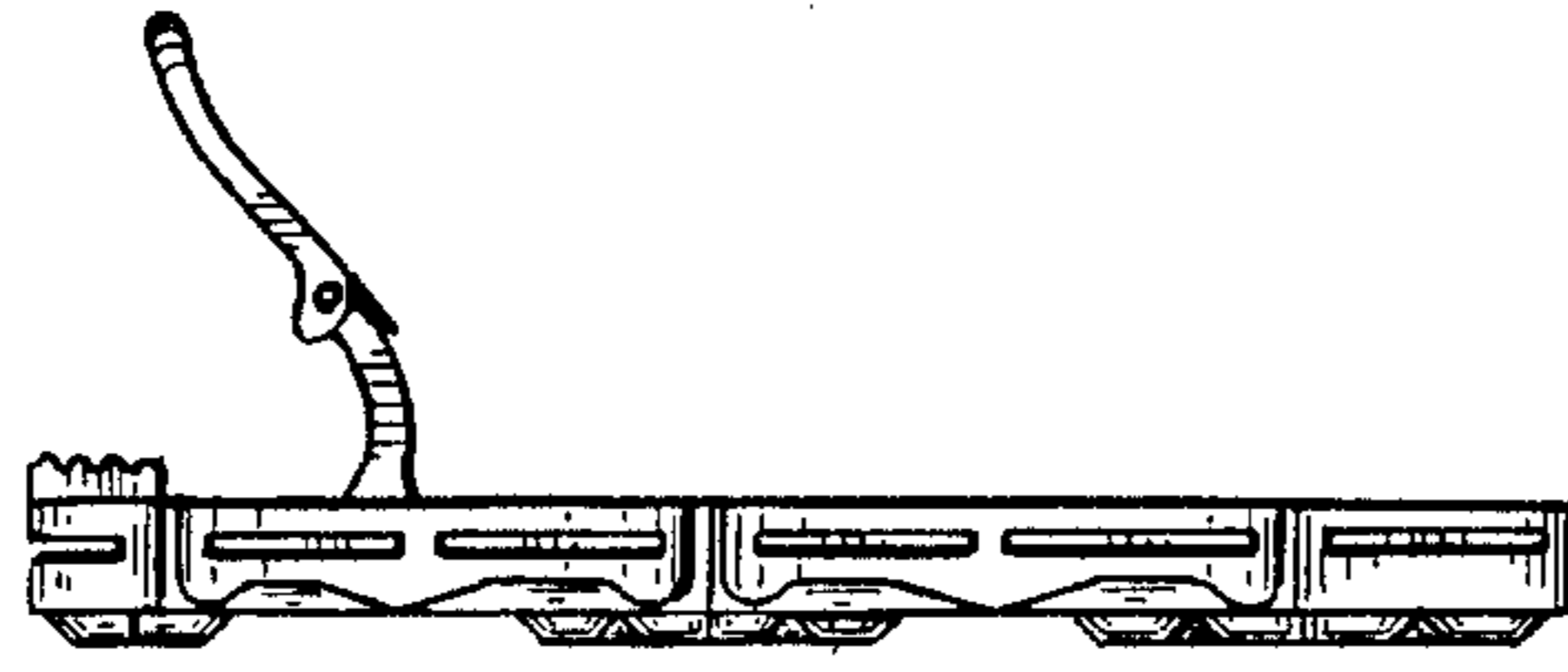


FIG. 3

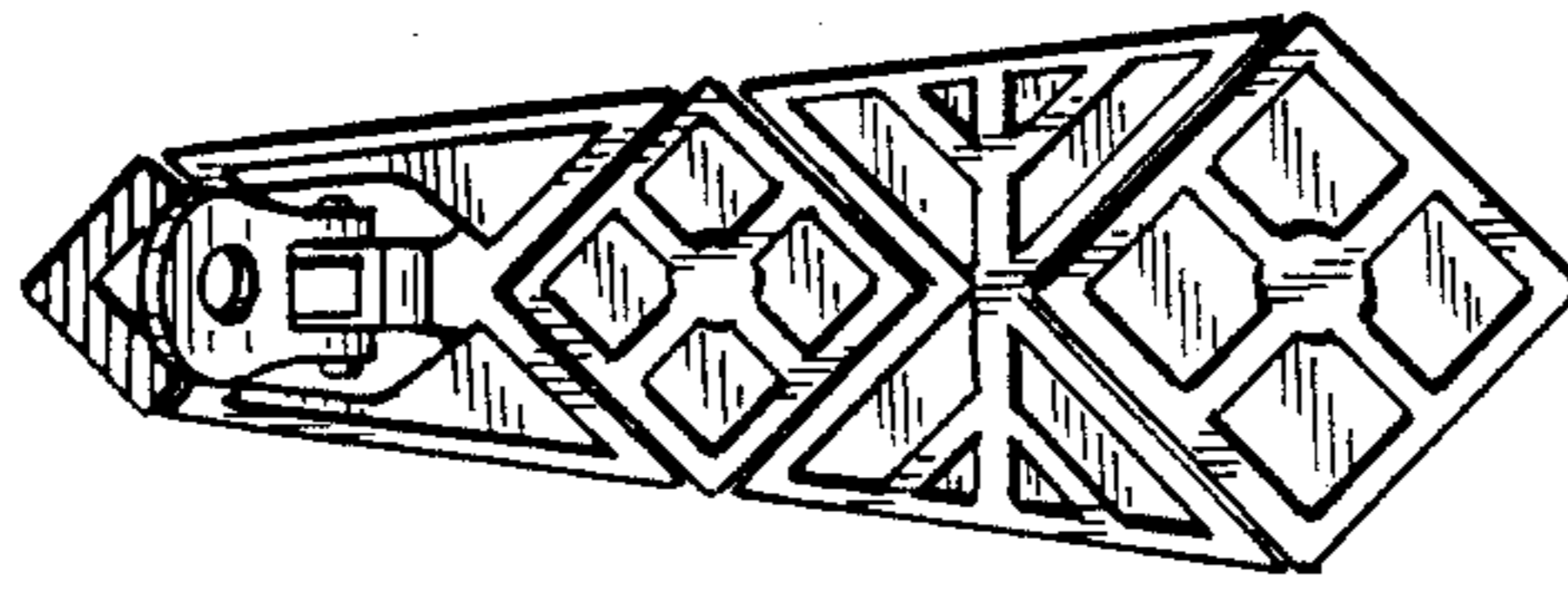


FIG. 4

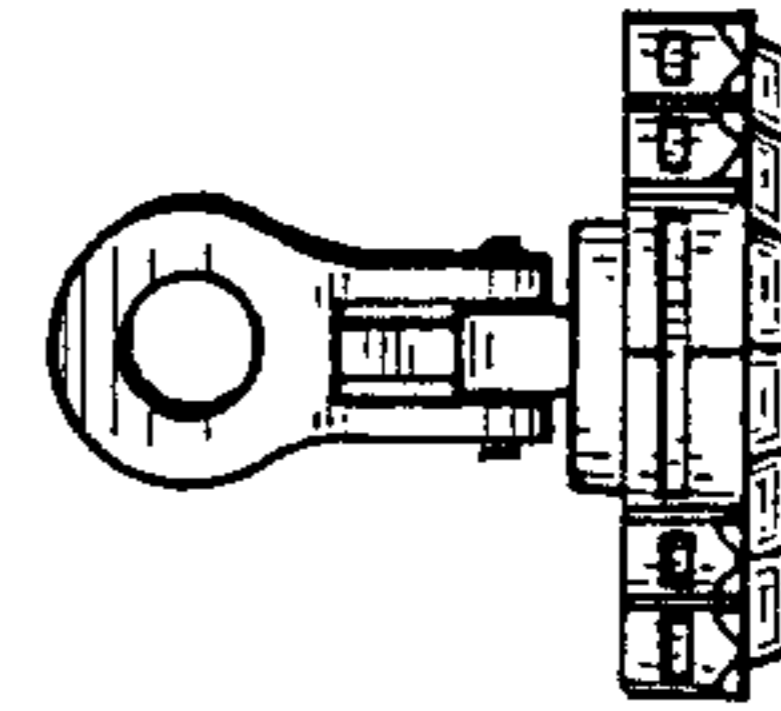


FIG. 5

