

United States Patent [19]

Anderson

[11] Patent Number: Des. 308,948

[45] Date of Patent: ** Jul. 3, 1990

[54] RING

[76] Inventor: LaJoyce Anderson, Rte. 1, Box 650,
Henderson, Tex. 75652

[**] Term: 14 Years

[21] Appl. No.: 156,091

[22] Filed: Feb. 16, 1988

[52] U.S. Cl. D11/30

[58] Field of Search D11/26-39,
D11/1-2; D9/368, 437, 438; 63/1.1, 3-4

[56] **References Cited**

U.S. PATENT DOCUMENTS

D. 152,486 1/1949 Lorillard D11/26
D. 173,583 11/1954 Moore D11/33

D. 299,489 1/1989 Wood D11/30
3,401,823 9/1968 Frazee D9/438
3,478,917 11/1969 Rouse et al. D9/438

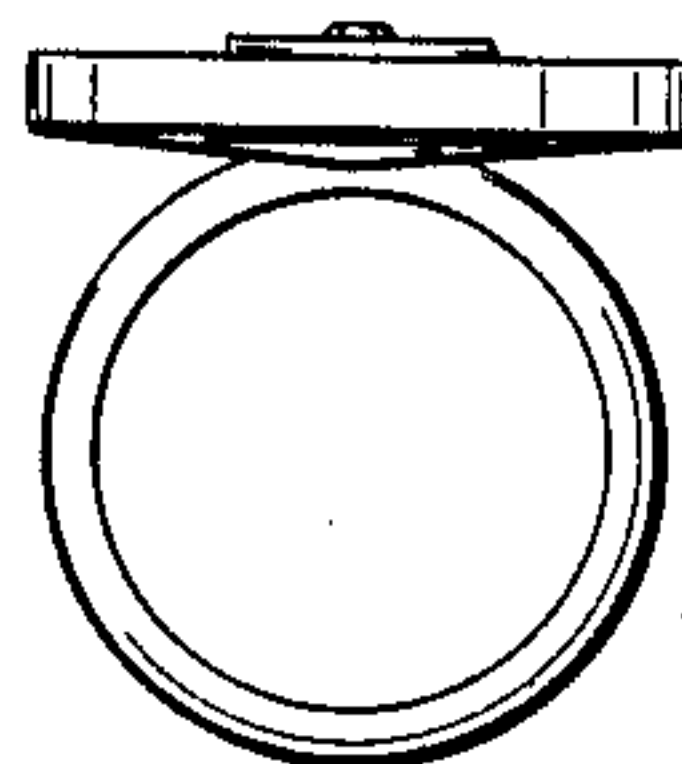
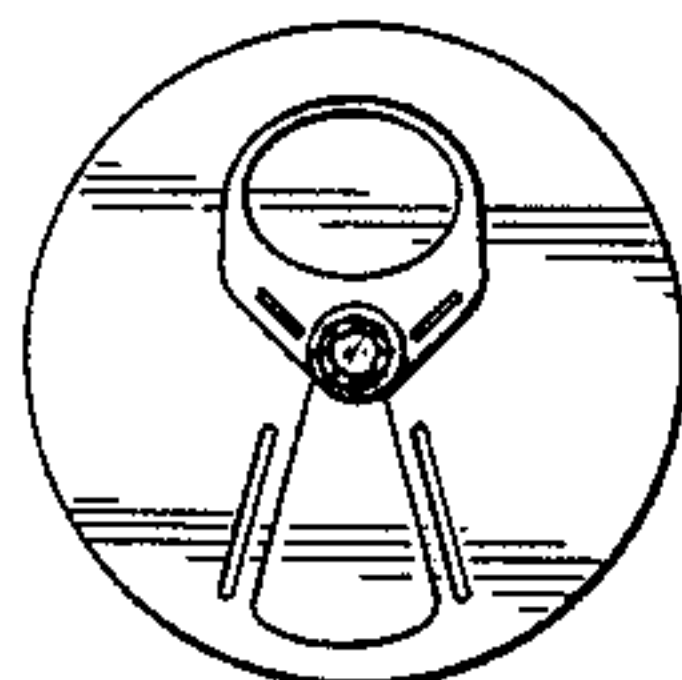
Primary Examiner—Louis S. Zarfes
Assistant Examiner—R. T. Seifert
Attorney, Agent, or Firm—Dodge, Bush & Moseley

[57] **CLAIM**

The ornamental design for a ring, as shown.

DESCRIPTION

FIG. 1 is a front elevational view of a ring showing my new design;
FIG. 2 is a left side elevational view;
FIG. 3 is a right side elevational view;
FIG. 4 is a top plan view; and
FIG. 5 is a bottom plan view.



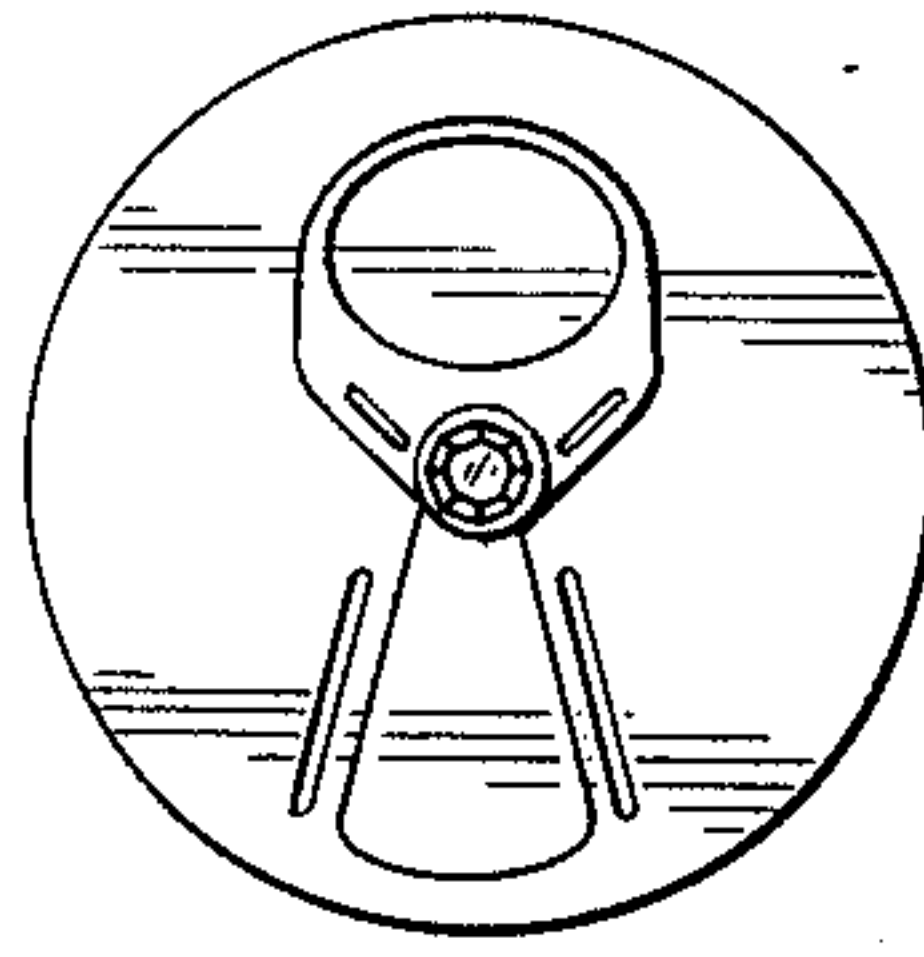


FIG. 4

FIG. 2

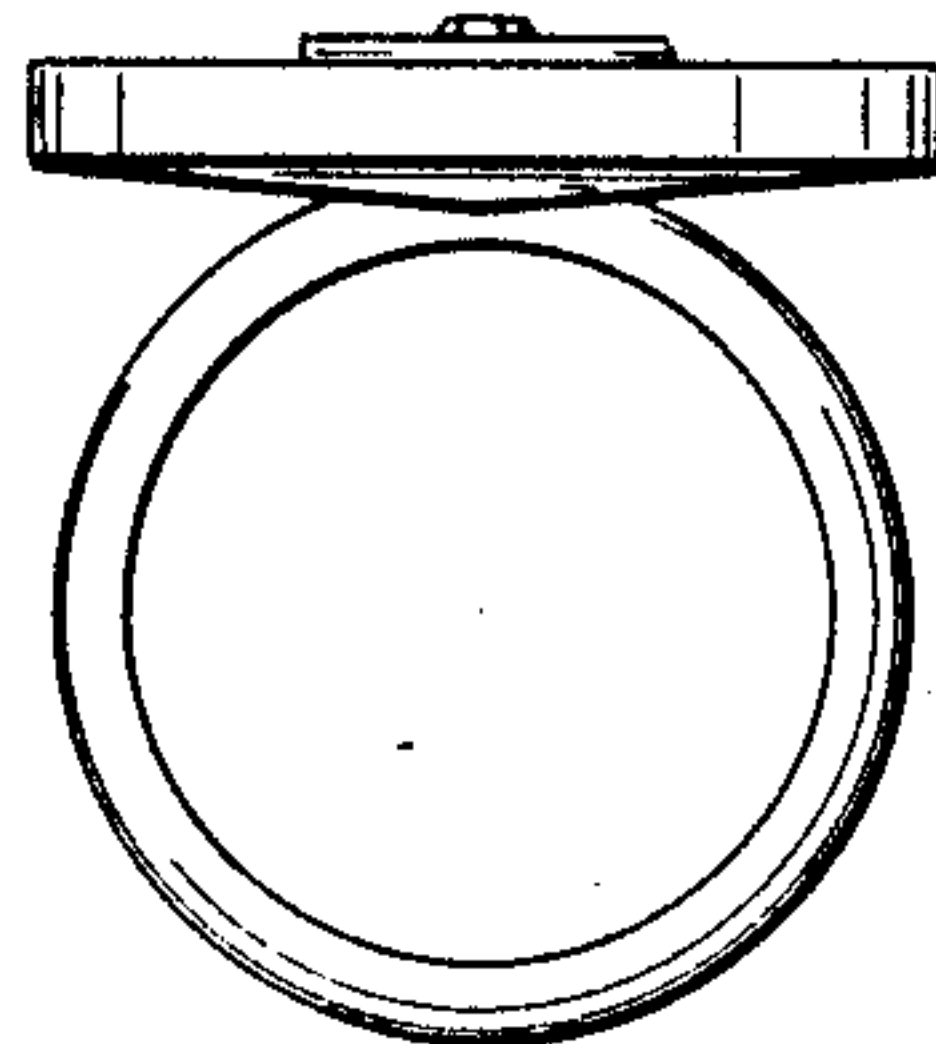
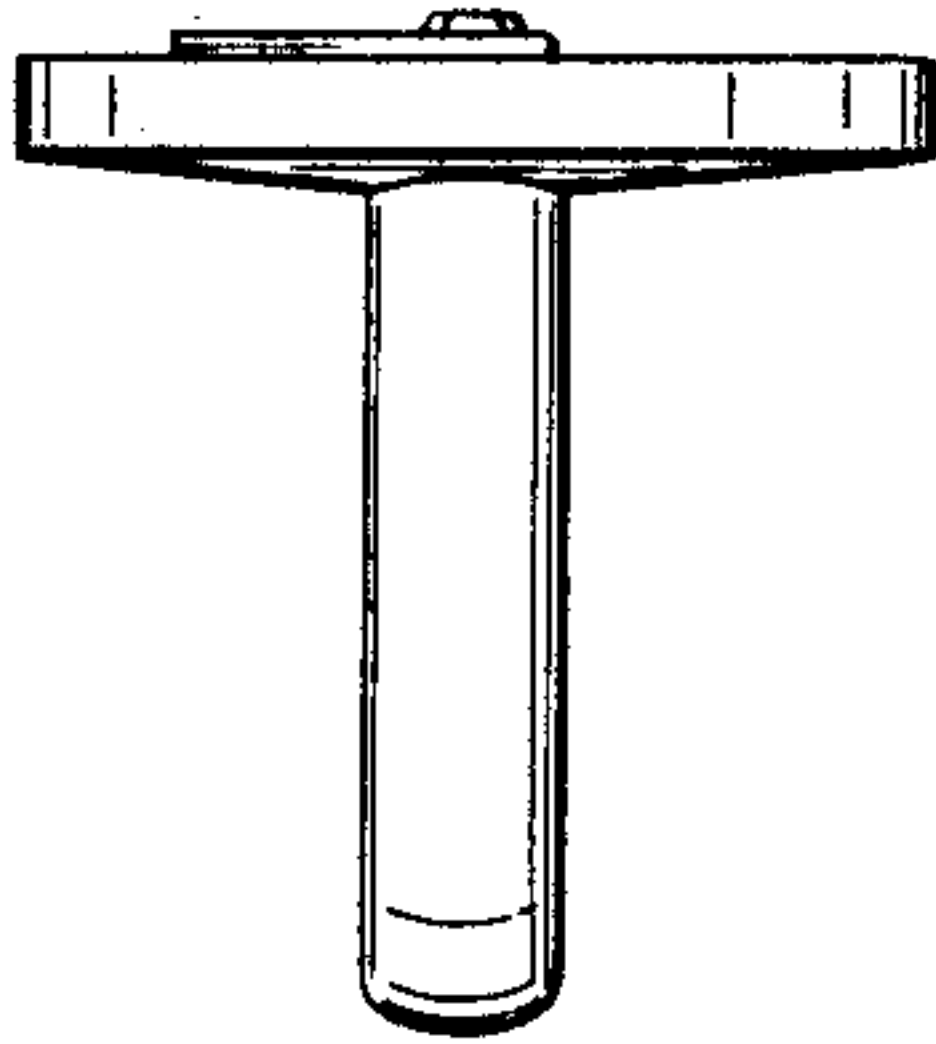


FIG. 1

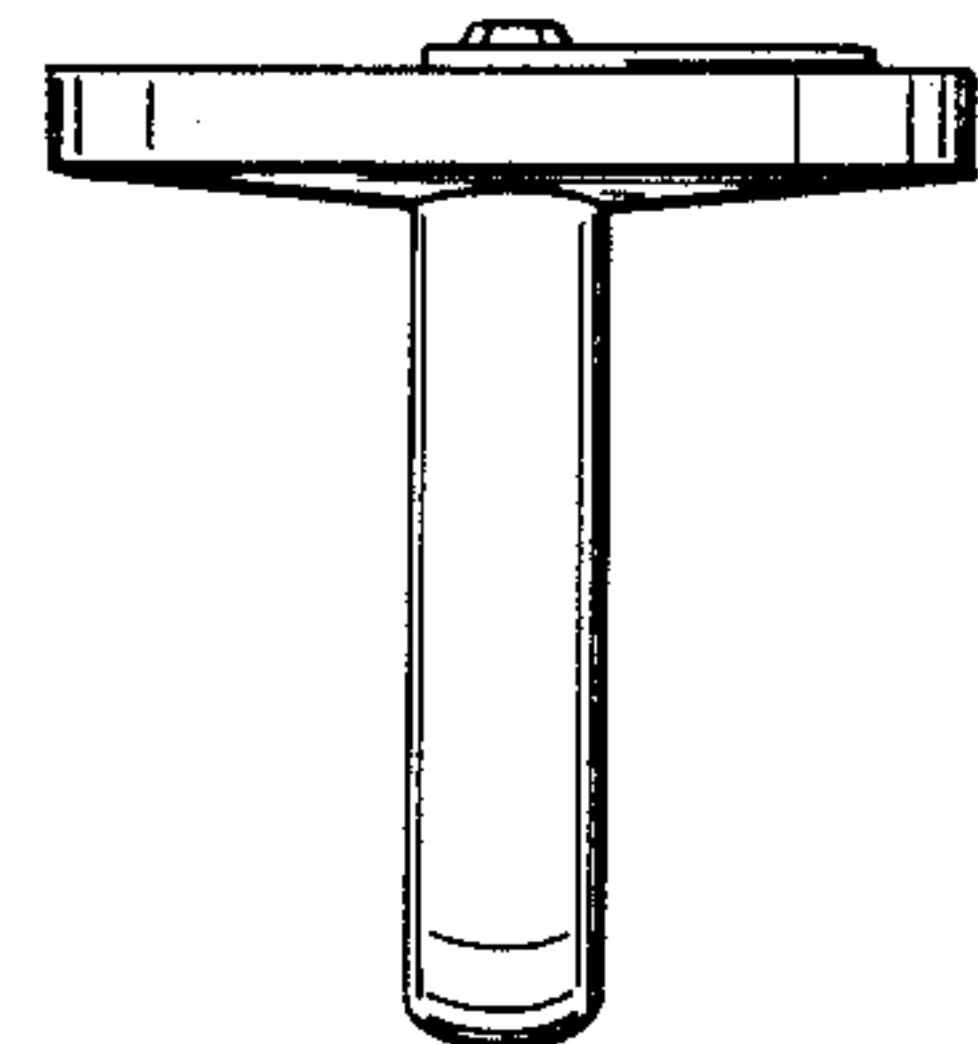


FIG. 3

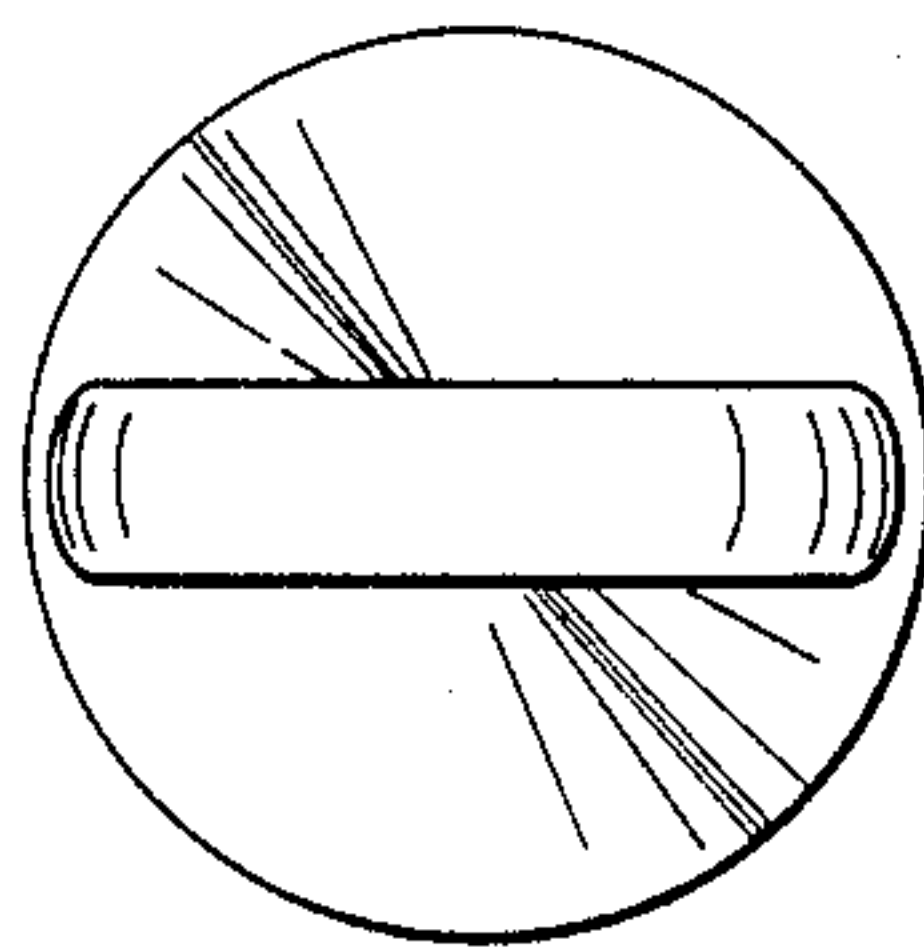


FIG. 5