

United States Patent [19]

Wilson et al.

[11] Patent Number: **Des. 308,946**

[45] Date of Patent: **** Jul. 3, 1990**

[54] **ULTRASONIC AIR-IN-LINE DETECTOR**

[75] Inventors: **Larry Wilson, Poway; Laurence Walden, San Diego, both of Calif.**

[73] Assignee: **Fisher Scientific Company, Pittsburgh, Pa.**

[**] Term: **14 Years**

[21] Appl. No.: **169,756**

[22] Filed: **Mar. 18, 1988**

[52] U.S. Cl. **D10/46**

[58] Field of Search **D10/46; D24/51, 52, D24/53, 8; 604/67; 128/DIG. 13**

[56] **References Cited**

U.S. PATENT DOCUMENTS

D. 220,854	6/1971	Lambo et al.	D24/53 X
3,553,575	1/1971	Shea	324/61
4,312,341	1/1982	Zissimopoulos et al.	604/67

4,565,500	1/1986	Jeensalule et al.	604/67 X
4,658,244	4/1987	Meijer	128/DIG. 13 X
4,751,476	6/1988	Meijer	128/DIG. 13 X

Primary Examiner—Nelson C. Holtje
Assistant Examiner—Antoine D. Davis
Attorney, Agent, or Firm—Nydegger & Harshman

[57] **CLAIM**

The ornamental design for an ultrasonic air-in-line detector, as shown.

DESCRIPTION

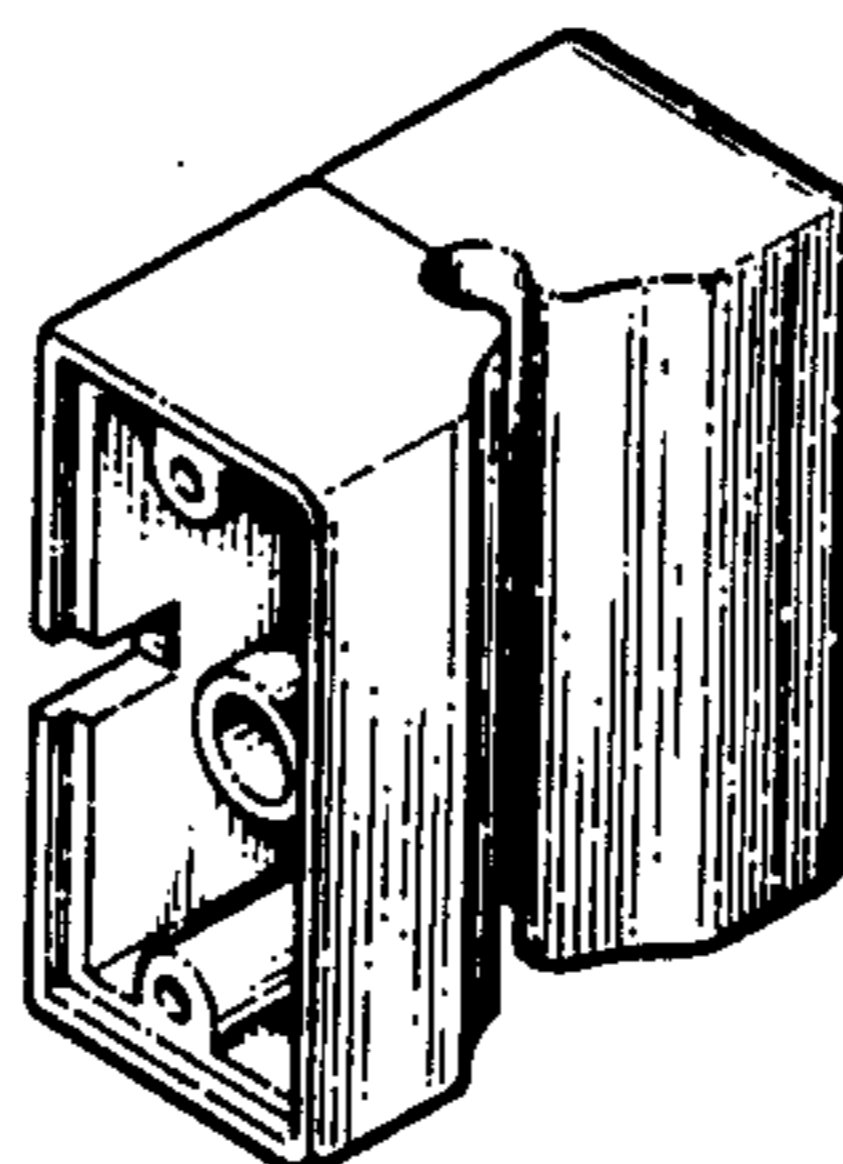
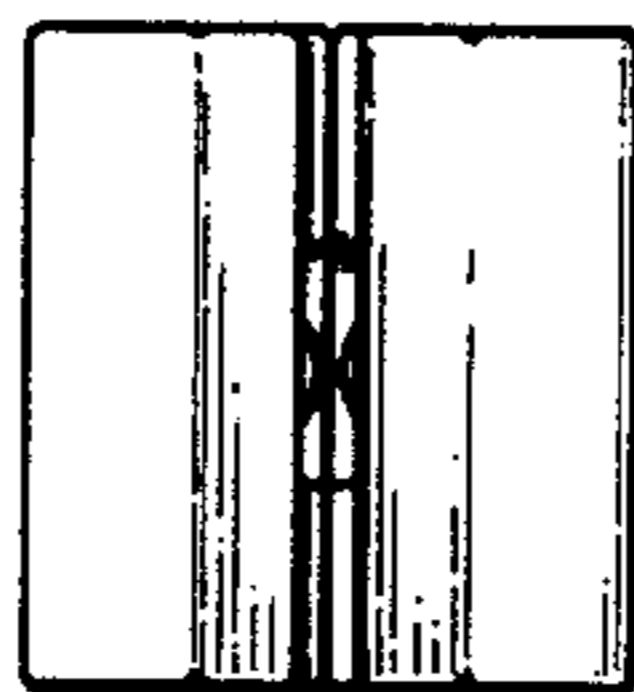
FIG. 1 is a top plan view of an ultrasonic air-in-line detector showing our new design, the bottom plan view being identical;

FIG. 2 is a front elevational view;

FIG. 3 is a top, front and left side perspective view, the right side perspective view being identical;

FIG. 4 is a top, front and left side perspective view, the ultrasonic air-in-line detector now separated; and

FIG. 5 is a rear elevational view thereof.



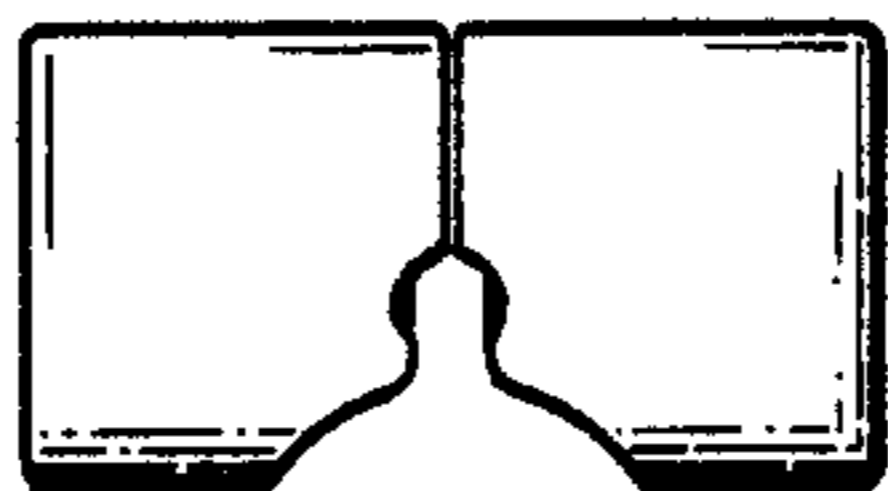


FIG. 1

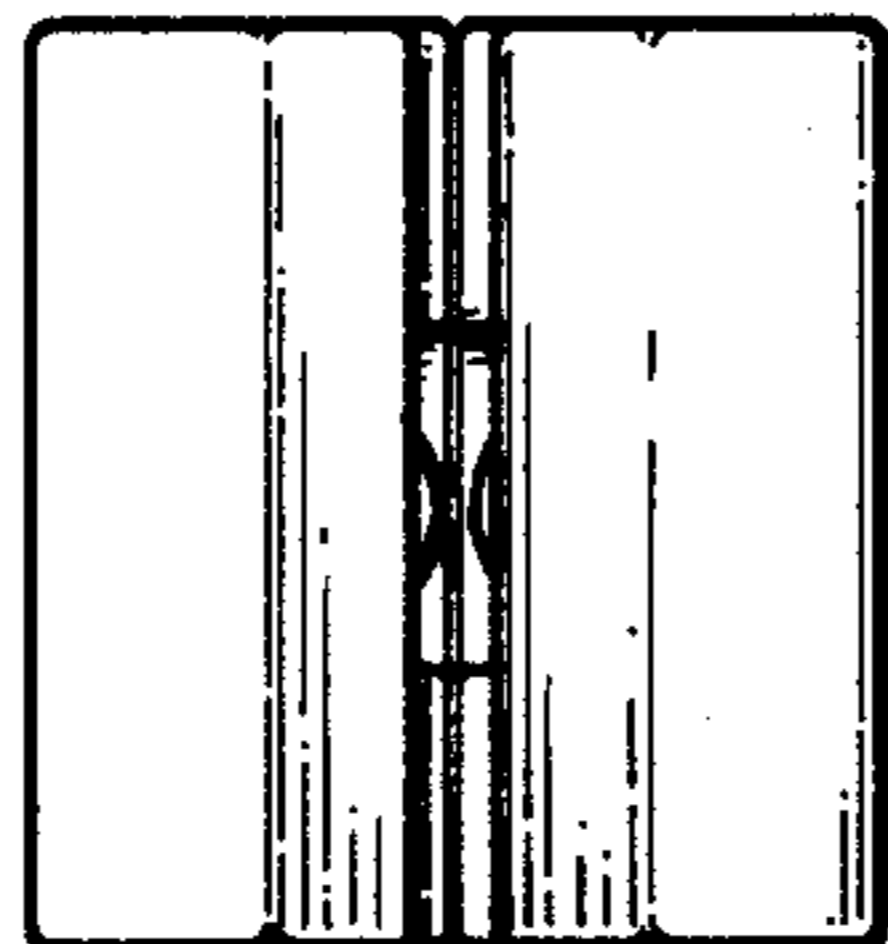


FIG. 2

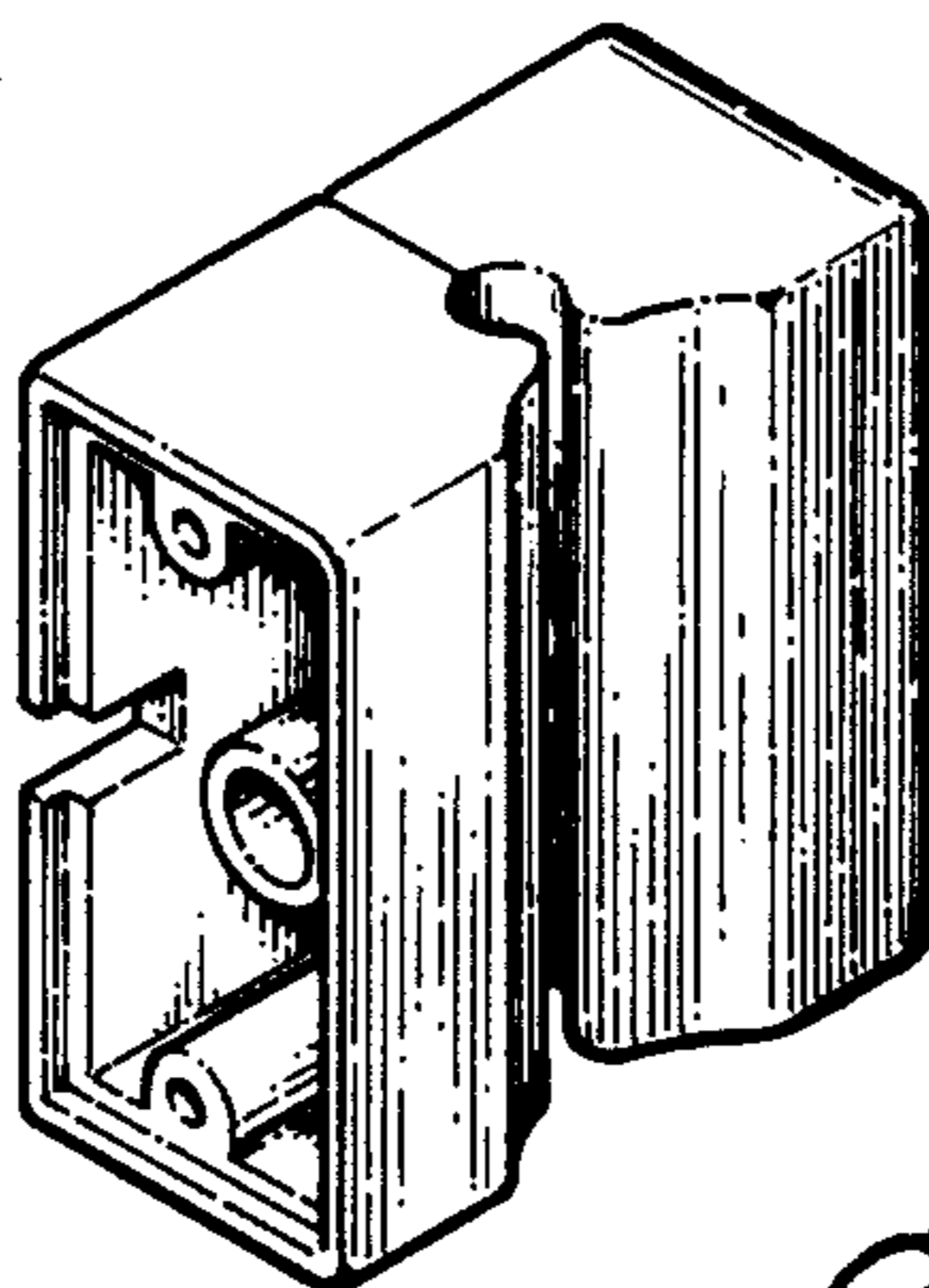


FIG. 3

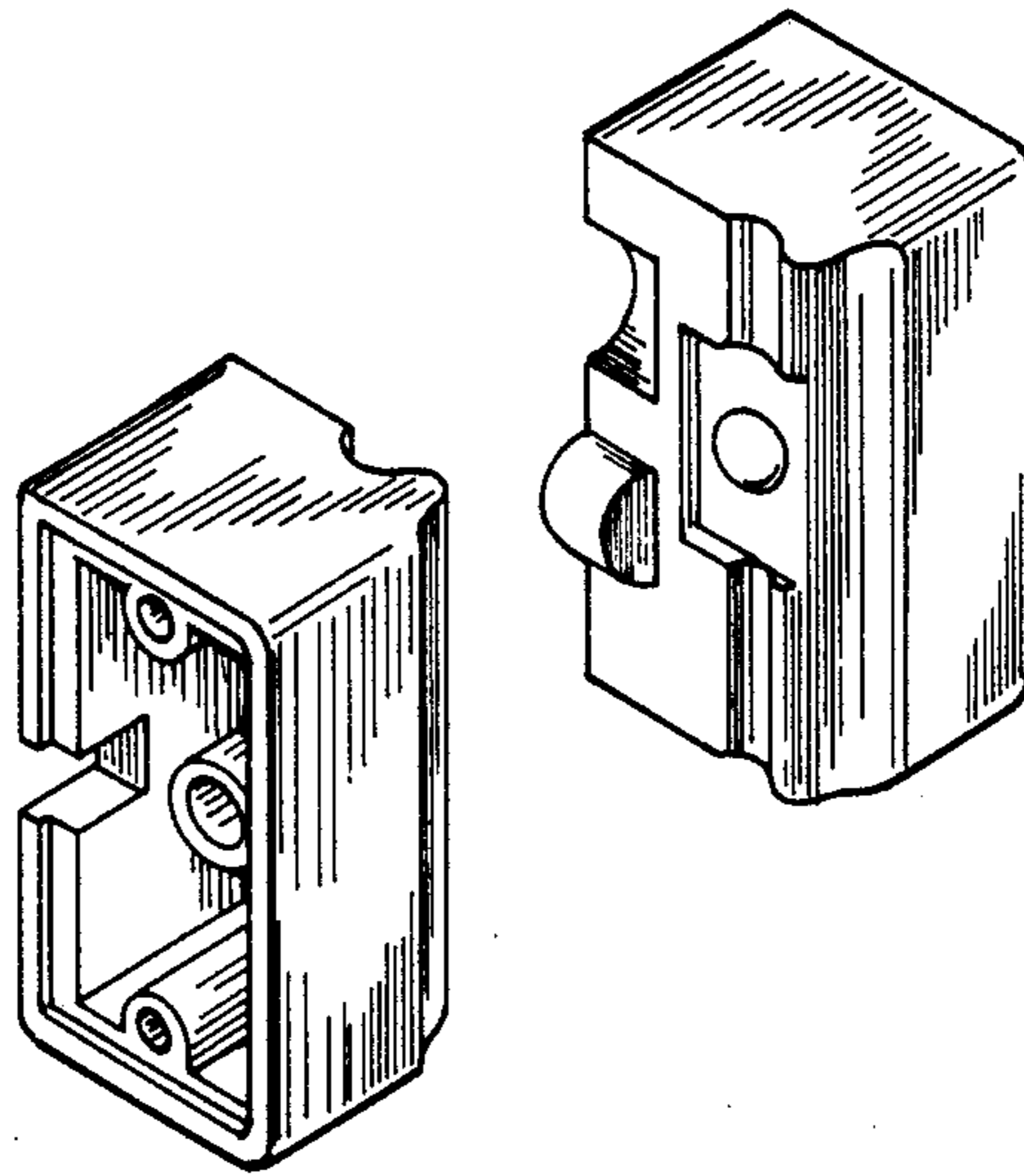


FIG. 4

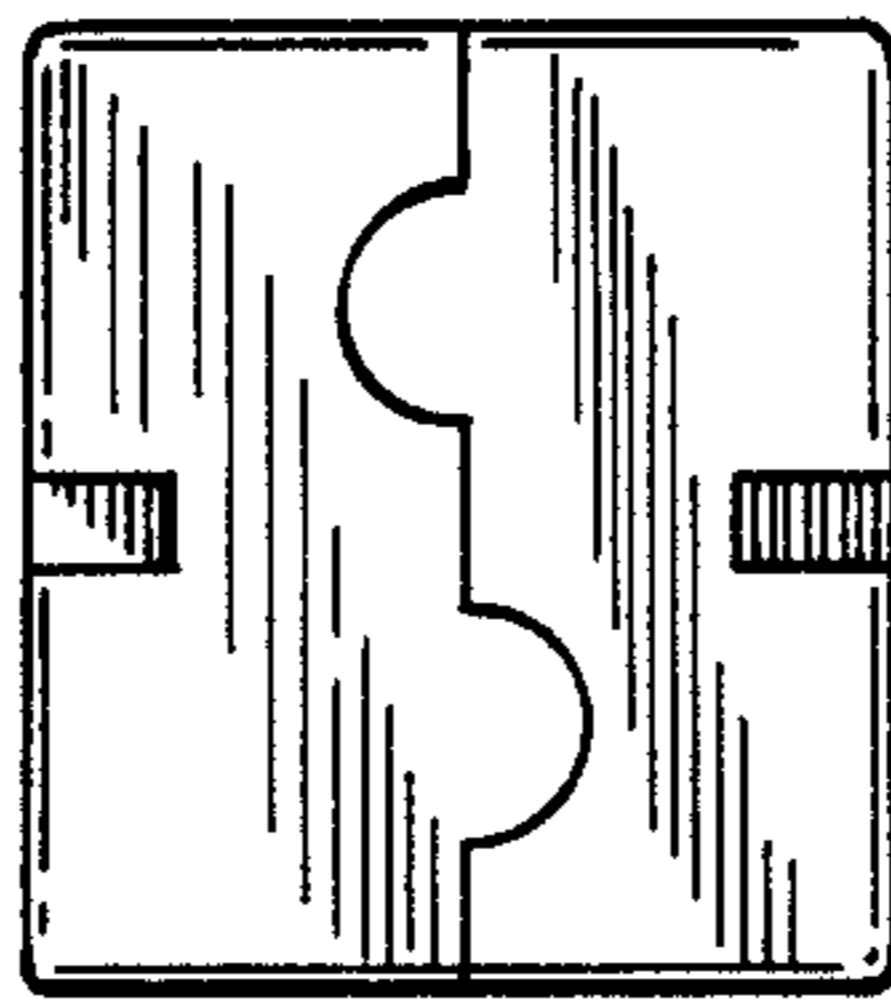


FIG. 5