

[54] FOOD CONTAINER

[76] Inventor: **Soo S. Kong**, No. 22, Jalan SS21/11, Damansara Utama, 47400 Petaling Jaya, Malaysia

[**] Term: **14 Years**

[21] Appl. No.: **369,910**

[22] Filed: **Jun. 22, 1989**

[52] U.S. Cl. **D9/416; D9/418; D7/505; D7/541**

[58] Field of Search **D9/414-433, D9/337, 341; D7/601, 602, 626, 629, 505, 538, 643, 541; 220/306, 23, DIG. 10; 206/216, 541, 229; 229/900, 901, 87 F, 1.5 C; 211/70.7**

[56] **References Cited**

U.S. PATENT DOCUMENTS

- D. 291,268 8/1987 Stephenson D9/341 X
- 1,514,379 11/1924 Fleischer 229/1.5 C
- 2,034,067 3/1936 Stone 206/229

- 3,381,876 5/1968 Biggins 206/229 X
- 3,448,888 6/1969 Smith et al. 220/306
- 3,504,823 4/1970 Logomasini 206/515 X
- 3,624,787 11/1971 Newman 206/229 X
- 3,679,093 7/1972 Chang 220/23 X
- 3,704,779 12/1972 Nigg 206/541 X
- 4,300,200 11/1981 Chang 220/23 X

OTHER PUBLICATIONS

Tupperware Products, 1970 Cat. p. 29, Item E.

Primary Examiner—Bernard Ansher
Assistant Examiner—Prabhakar Deshmukh

[57] **CLAIM**

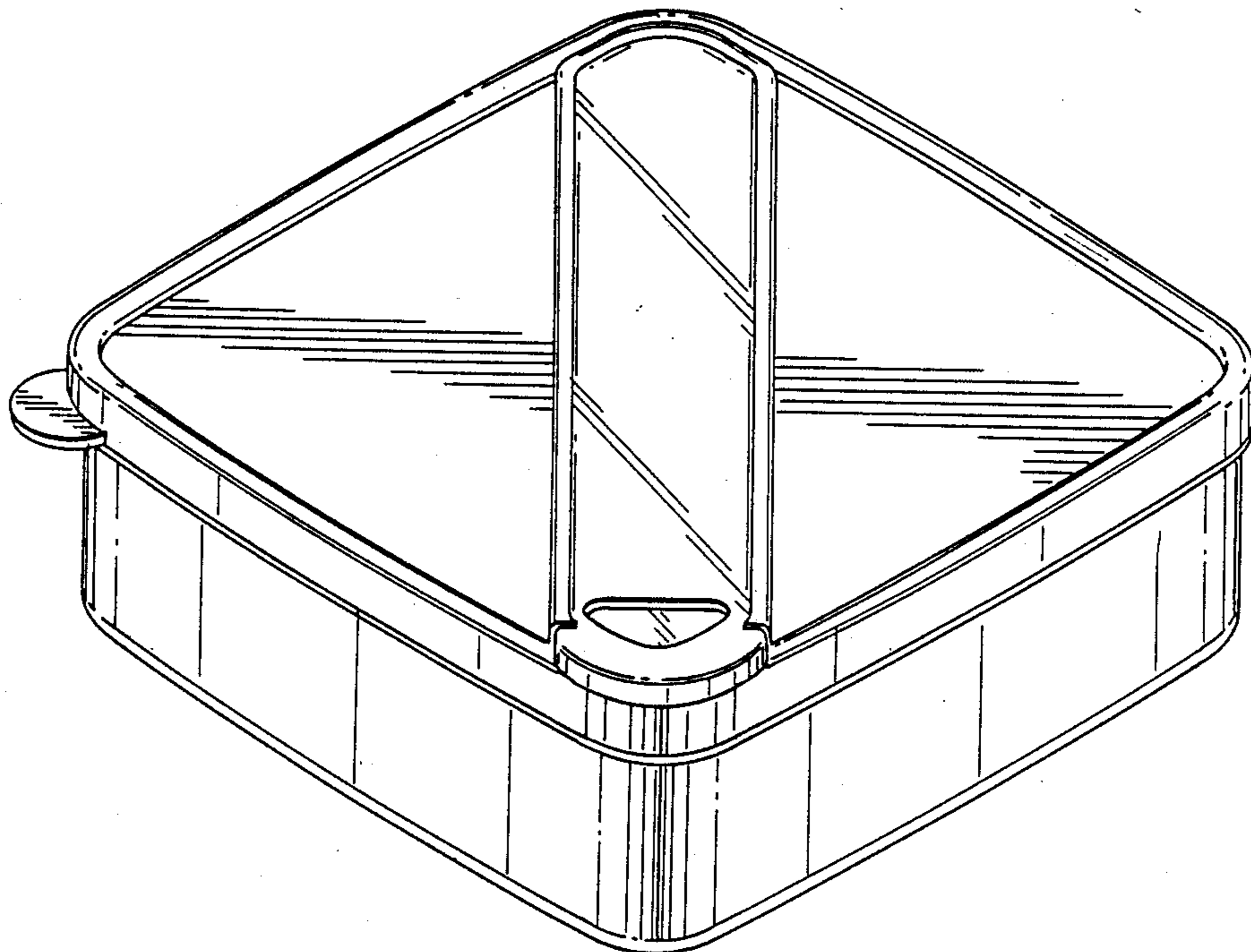
The ornamental design for a food container, as shown and described.

DESCRIPTION

FIG. 1 is a top perspective view of a food container showing my new design;

FIG. 2 is a top perspective view of FIG. 1 but turned 90°;

FIG. 3 is a bottom perspective view thereof.



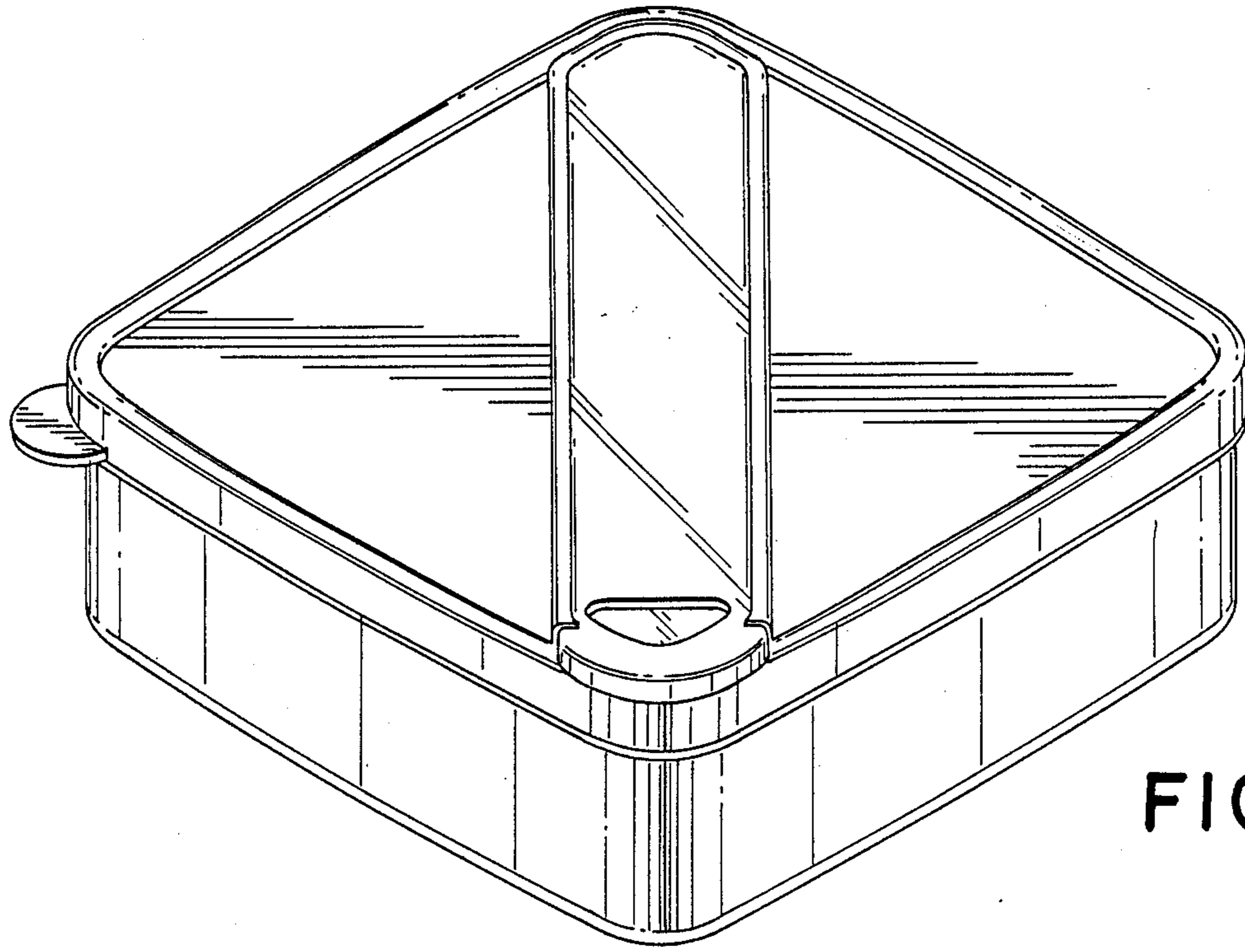


FIG. 1

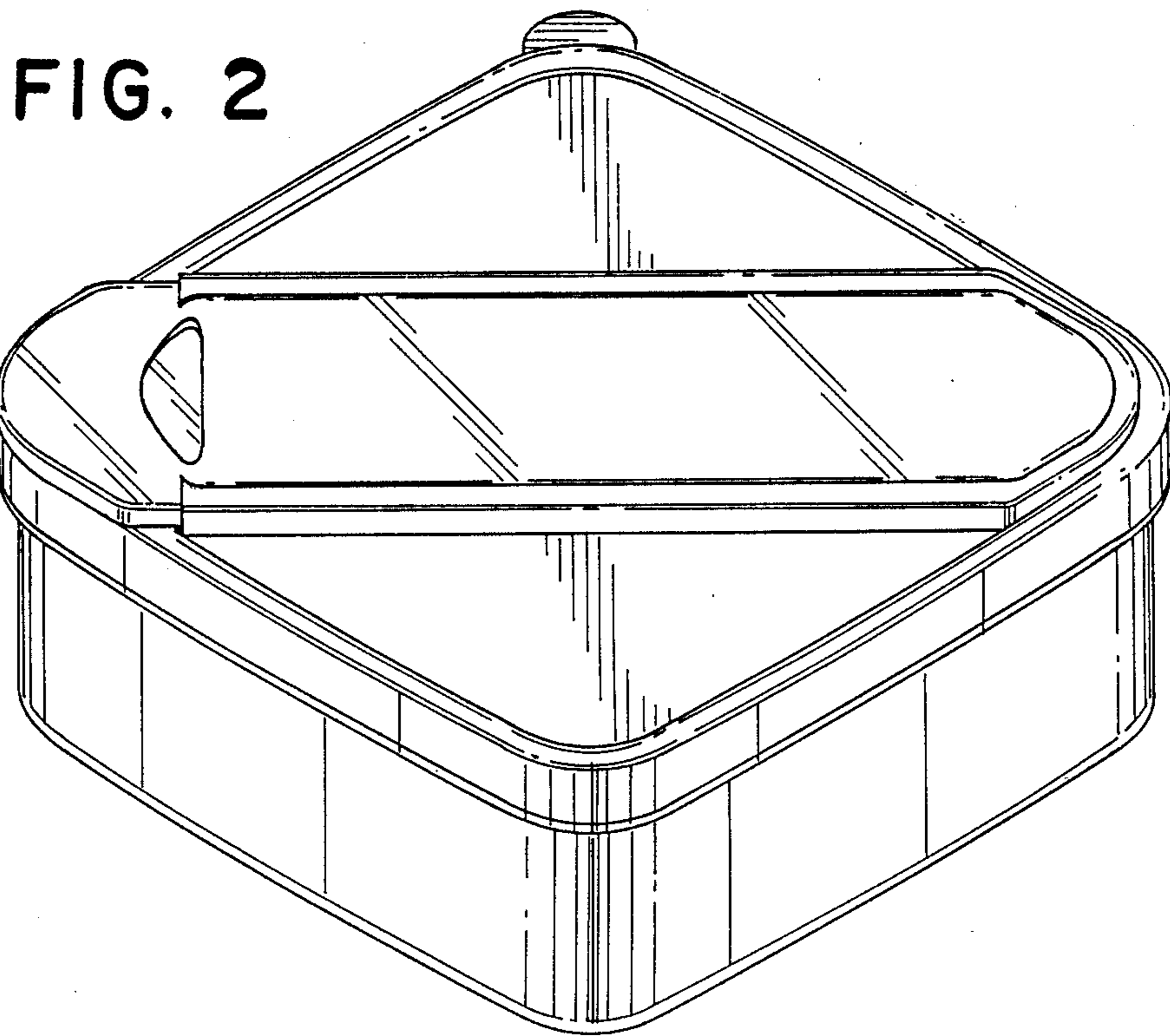


FIG. 2

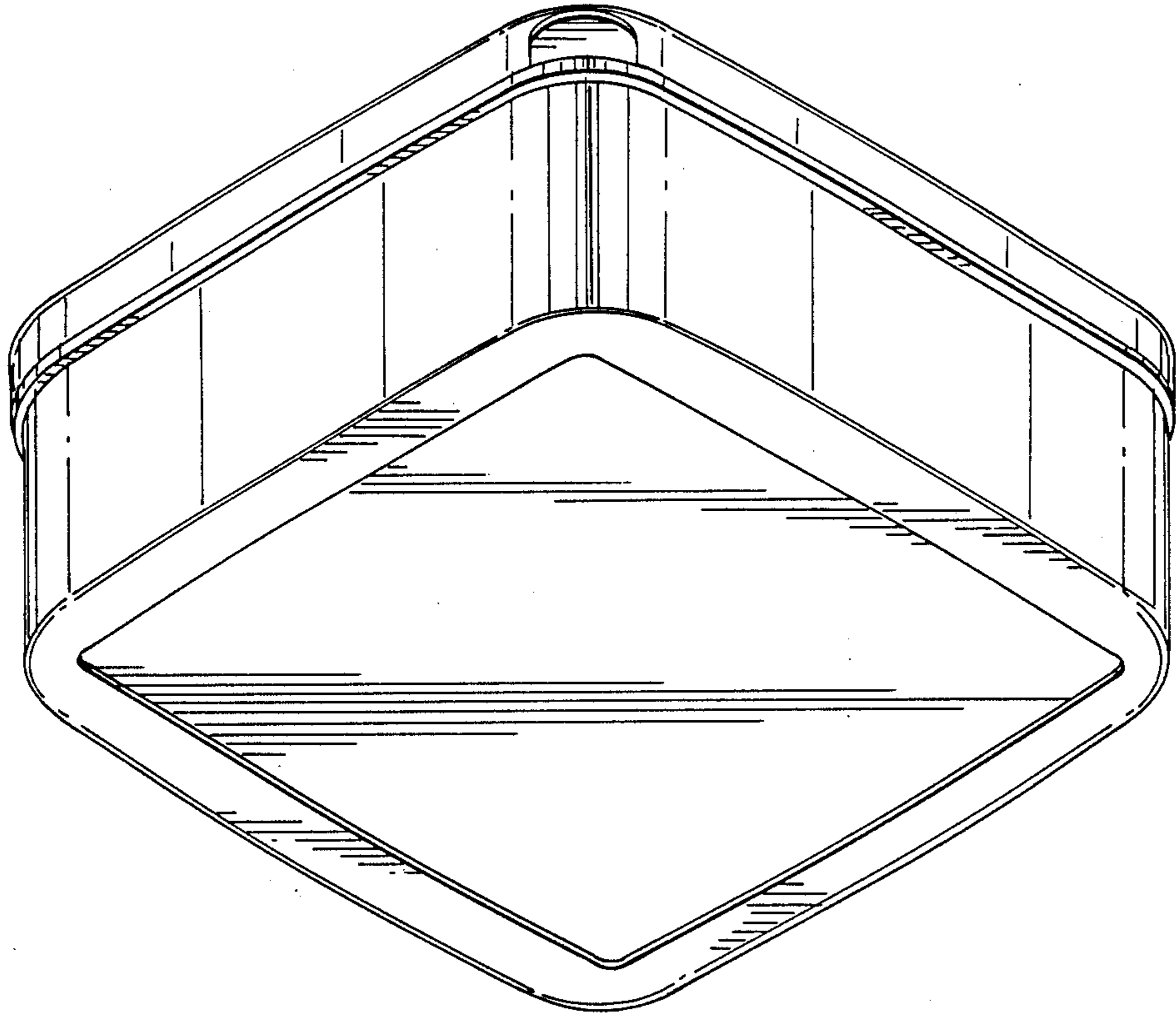


FIG. 3