

[54] CONTAINER FOR COSMETIC CREAM

[75] Inventor: Joel Desgrippes, Paris, France

[73] Assignee: Albion Cosmetics Co., Ltd., Tokyo, Japan

[**] Term: 14 Years

[21] Appl. No.: 39,665

[22] Filed: Apr. 17, 1987

[30] Foreign Application Priority Data

Jan. 13, 1987 [JP] Japan 61-584

[52] U.S. Cl. D9/377; D9/389; D9/401

[58] Field of Search 9/377, 401, 386, 403-413, 9/384, 389, 400; 215/1 R, 1 C

[56] References Cited

U.S. PATENT DOCUMENTS

- D. 98,958 3/1936 Piazzoli D9/413
- D. 294,804 3/1988 Lunderman et al. D9/377
- 3,252,492 5/1966 Marchant D9/377 X

OTHER PUBLICATIONS

Beauty Fashion, Feb., 1983, p. 26, Auraseva Container. Drug & Cosmetic Industry, Mar. 1985 p. 81, Saga bottle 25 cc.

Primary Examiner—Melvin B. Feifer
Assistant Examiner—Lucy Lieberman
Attorney, Agent, or Firm—Kane, Dalsimer, Sullivan, Kurucz, Levy, Eisele and Richard

[57] CLAIM

The ornamental design for a container for cosmetic cream, as shown and described.

DESCRIPTION

FIG. 1 is a front perspective view of a container for cosmetic cream showing my new design;
FIG. 2 is a perspective view of the container for cosmetic cream shown with the cover removed;
FIG. 3 is a top plan view of FIG. 1;
FIG. 4 is a bottom view of FIG. 1;
FIG. 5 is a front elevational view of FIG. 1;
FIG. 6 is a rear elevational view of FIG. 1;
FIG. 7 is a left side view of FIG. 1; and
FIG. 8 is a right side view of FIG. 1.

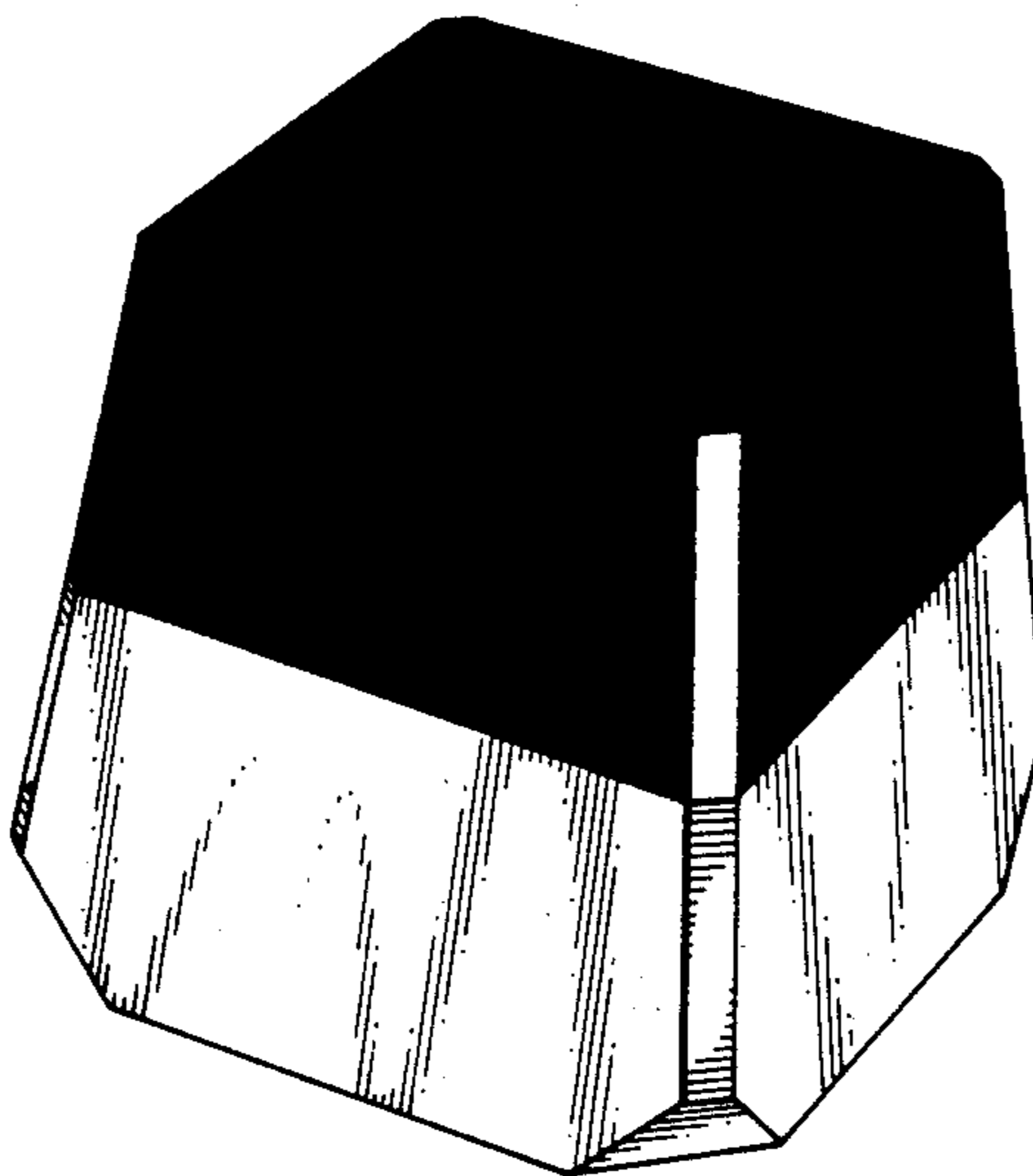


FIG. 1

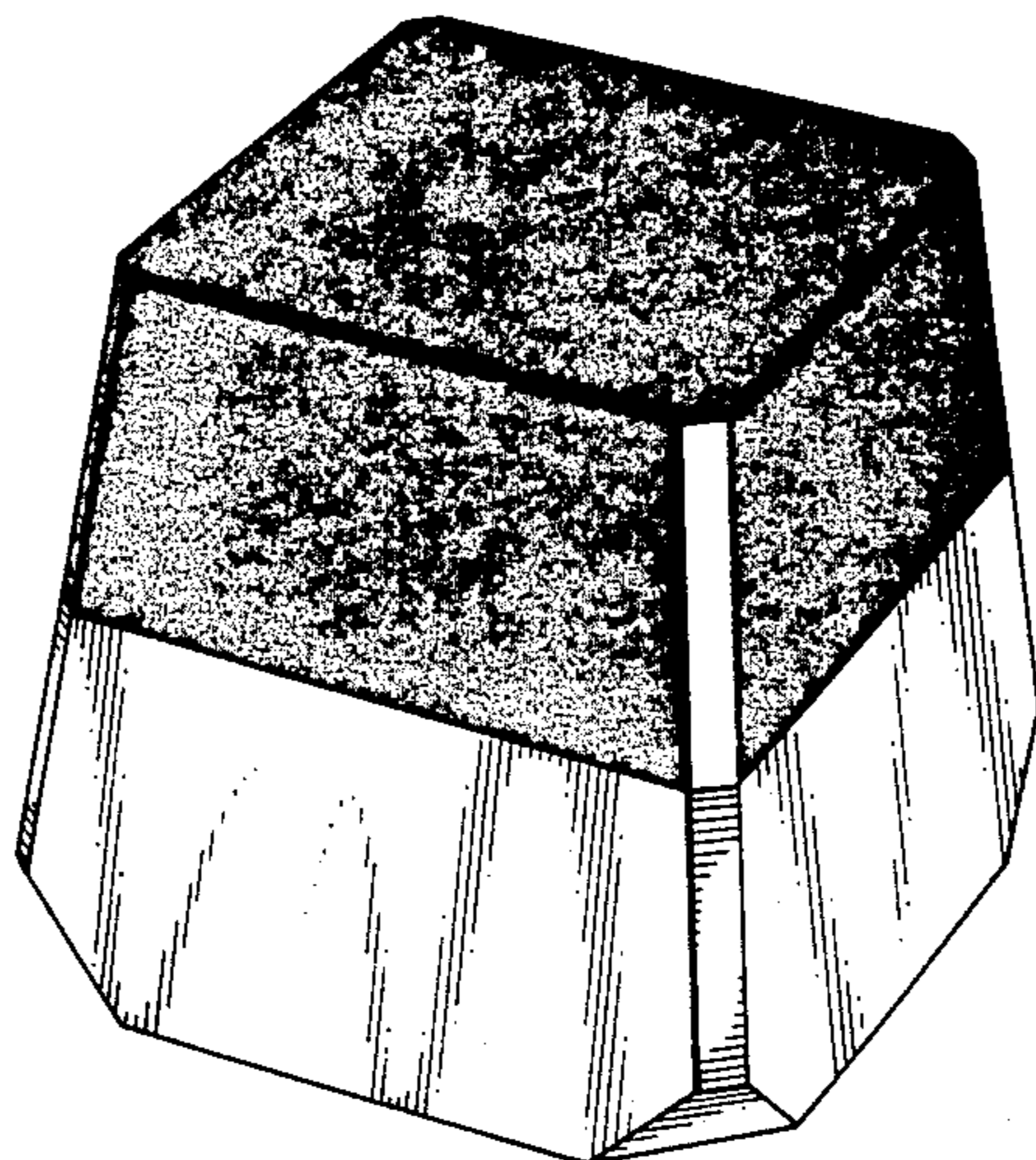


FIG. 2

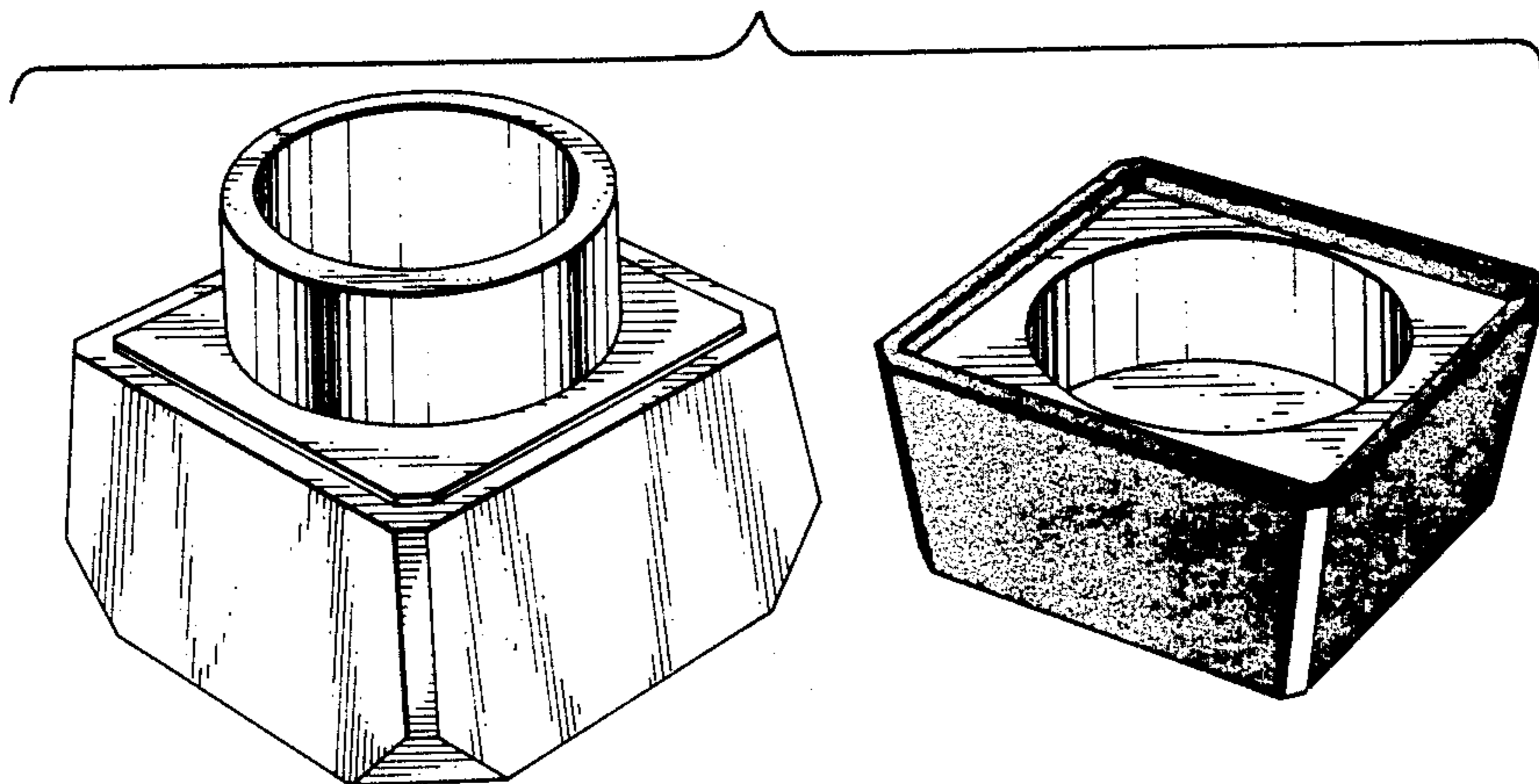


FIG. 3

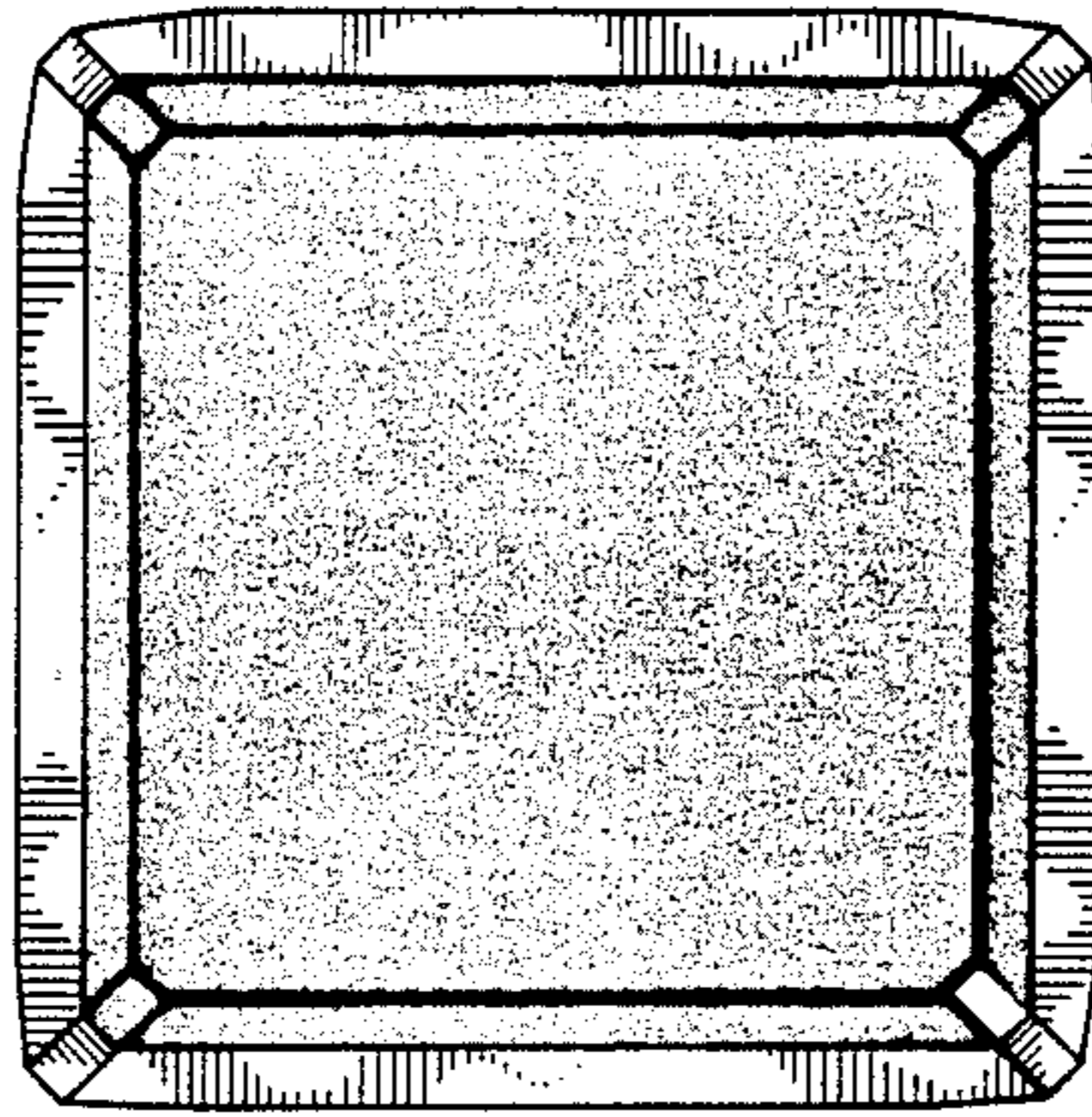


FIG. 4

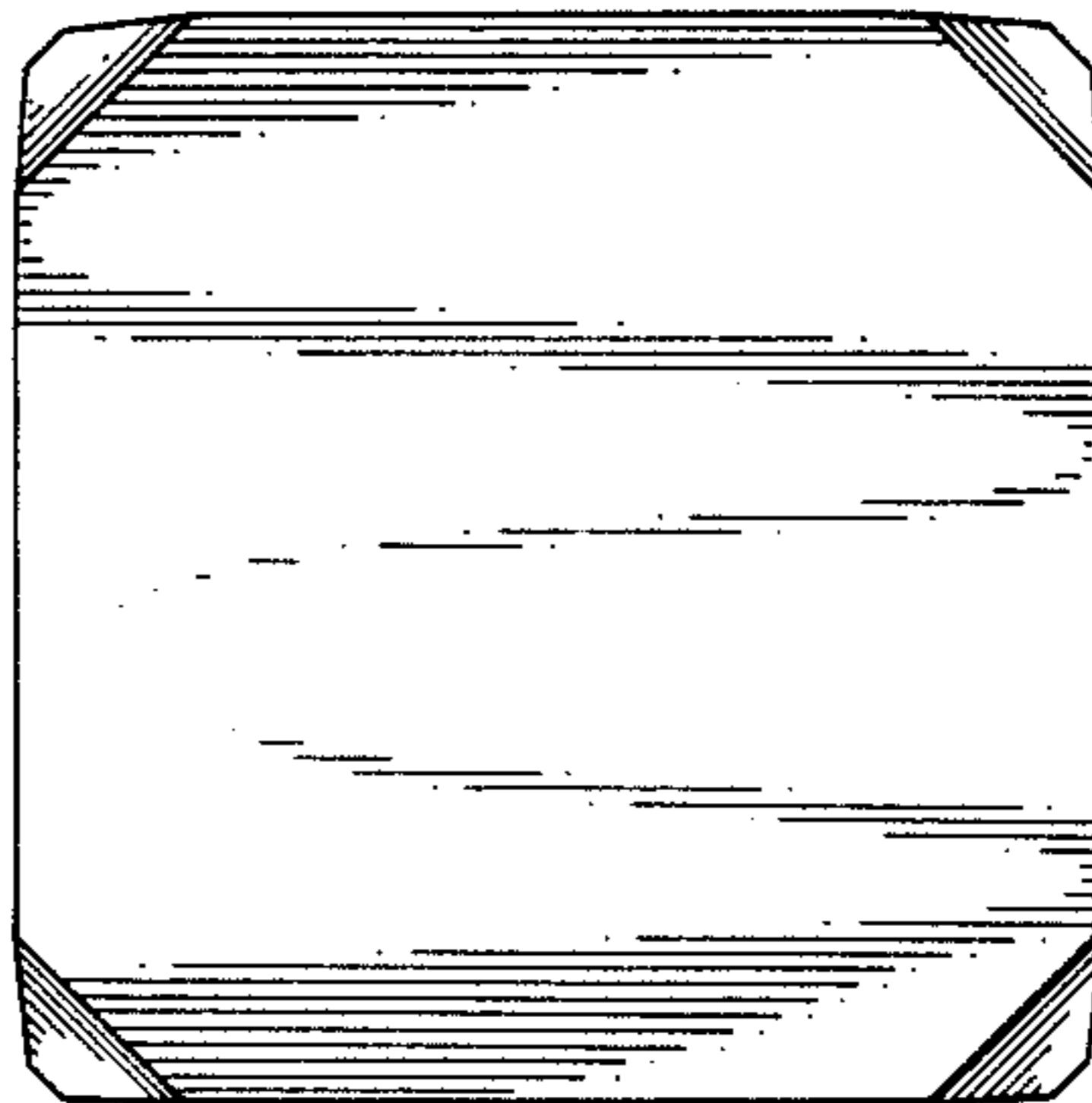


FIG. 5

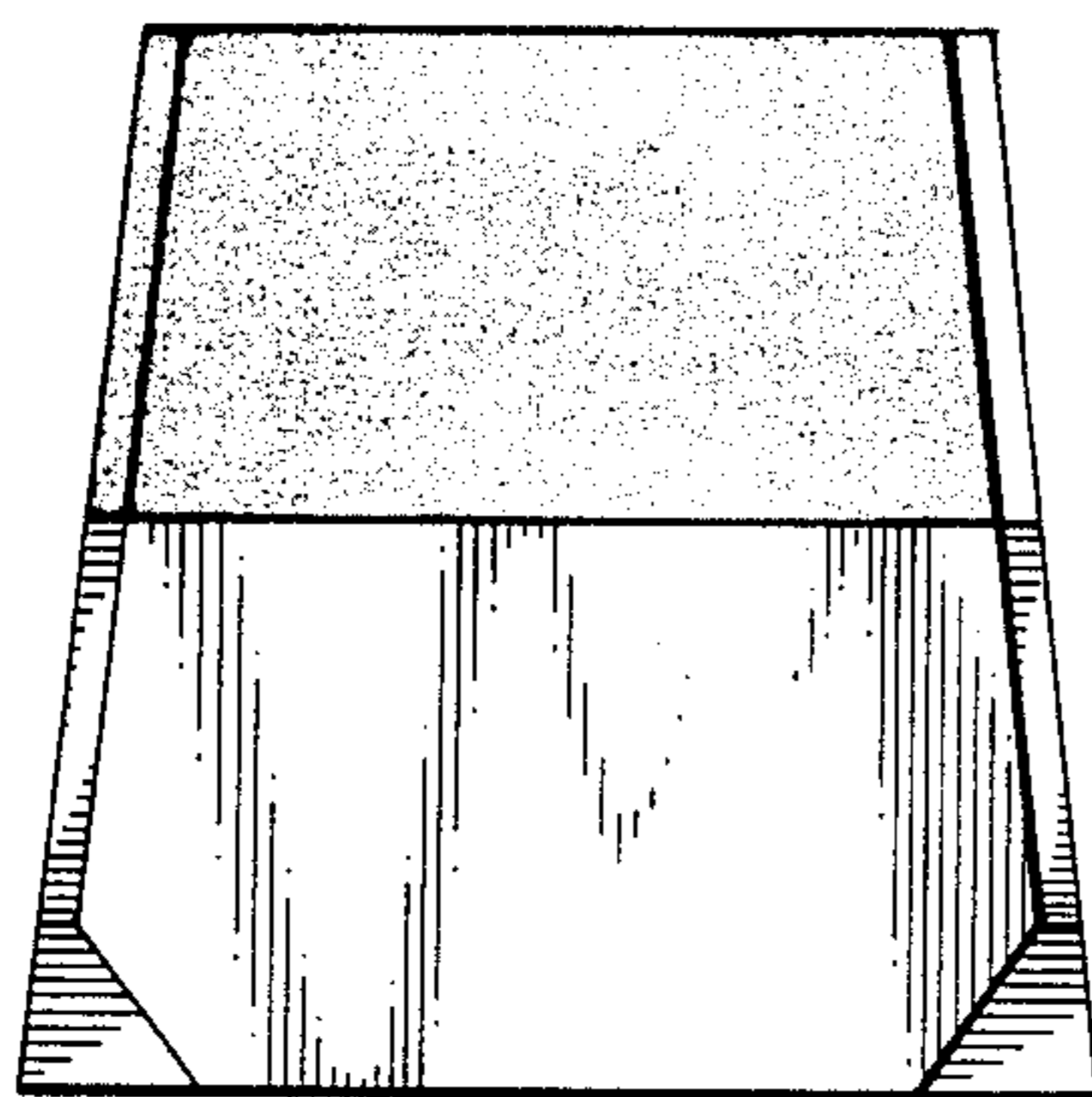


FIG. 6

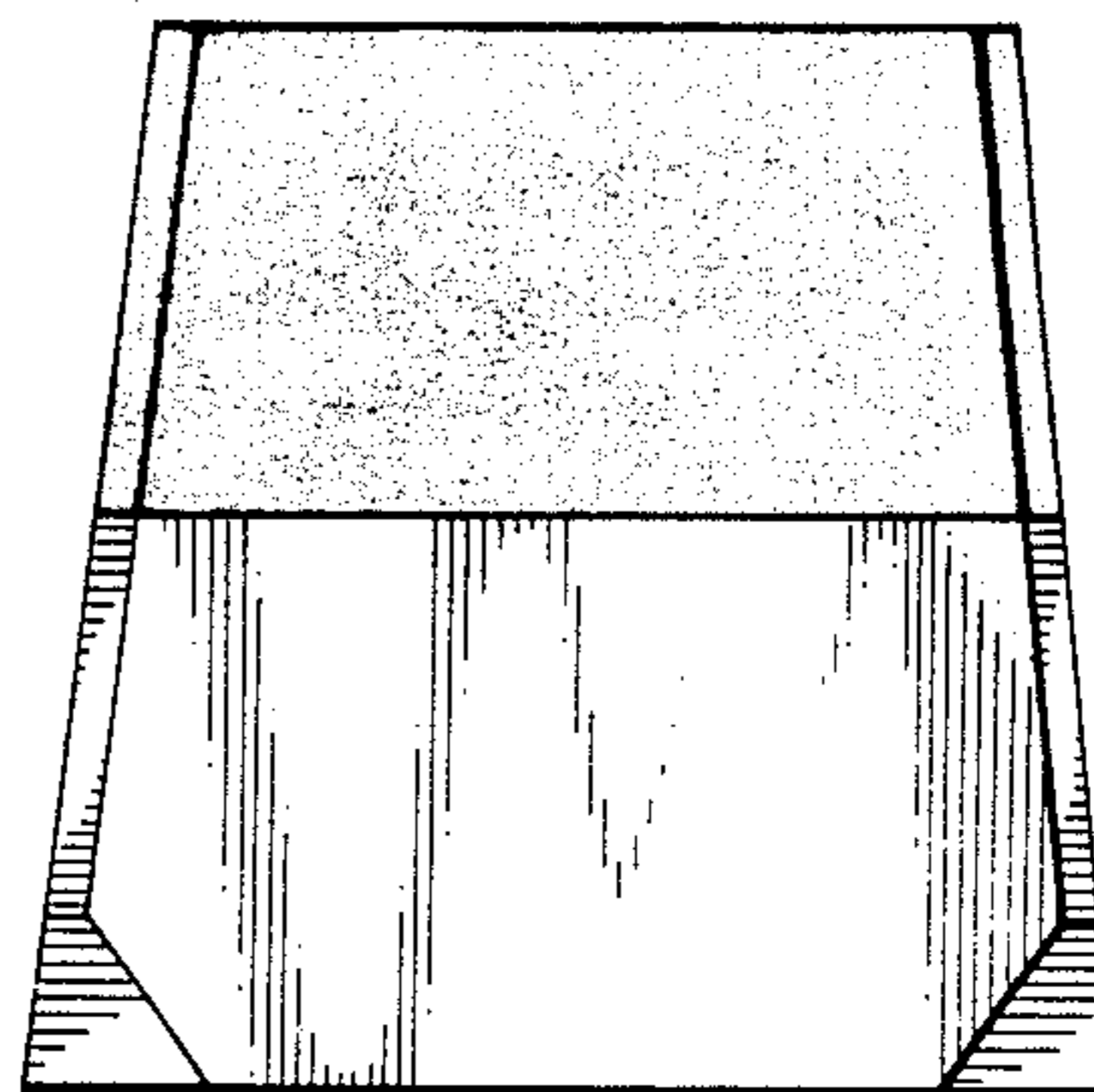


FIG. 7

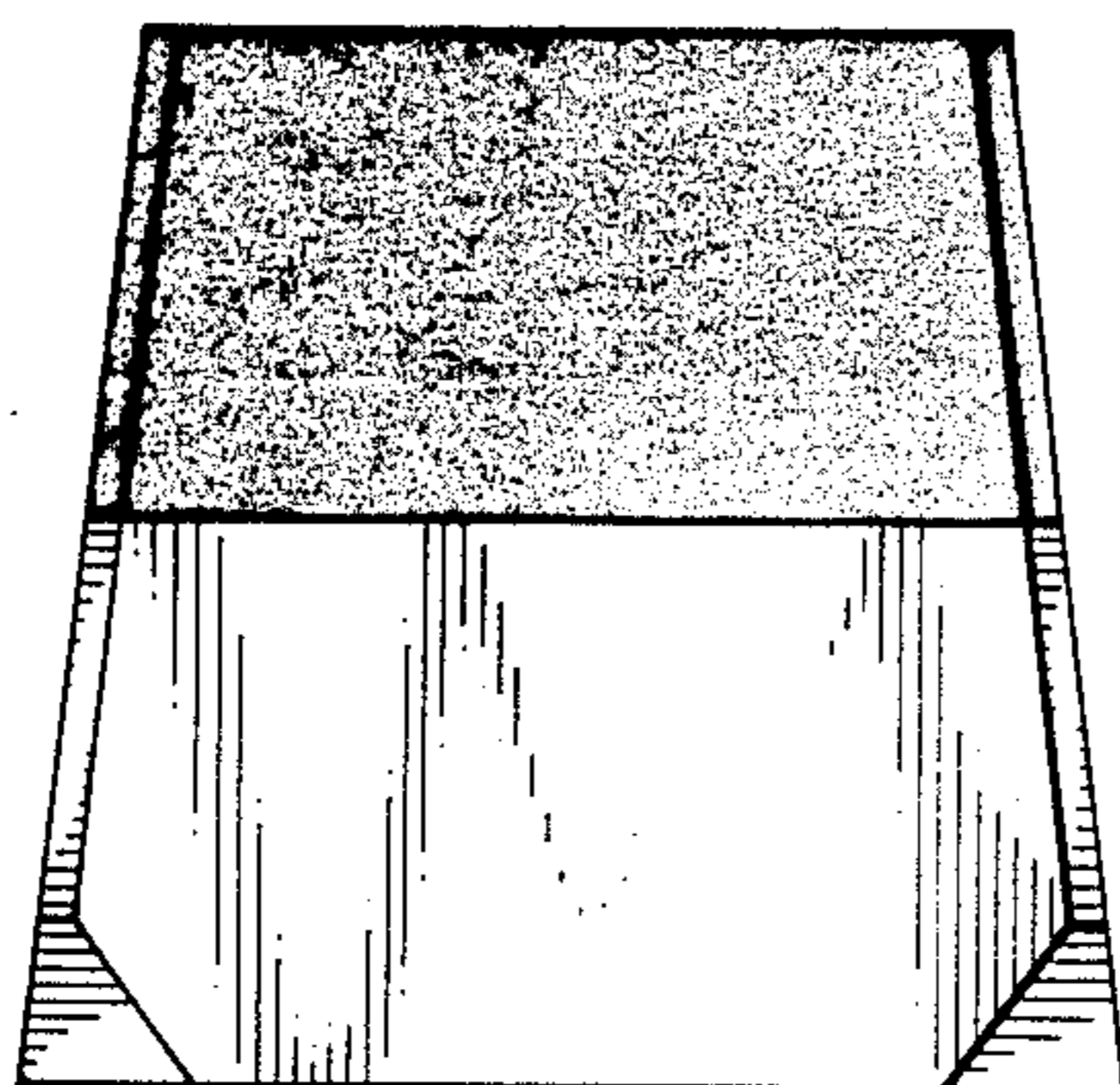


FIG. 8

