

United States Patent [19]

Arner

[11] Patent Number: **Des. 308,936**

[45] Date of Patent: **** Jul. 3, 1990**

[54] **SPRING CLIP**

[76] Inventor: **Barbara D. Arner**, 4924 Amalfi Way,
Oxnard, Calif. 93035

[**] Term: **14 Years**

[21] Appl. No.: **141,899**

[22] Filed: **Jan. 11, 1988**

[52] U.S. Cl. **D8/395**

[58] Field of Search **D8/394, 395, 396;**
24/327, 331, 336, 338, 499, 500, 502, 507, 508

[56] **References Cited**

U.S. PATENT DOCUMENTS

D. 185,794 8/1959 Walsh **D8/395**
D. 202,079 8/1965 Polk **D8/395**

D. 238,853 2/1976 Kruger **D8/395**
D. 288,901 3/1987 Zamek **D8/395**

Primary Examiner—**B. J. Bullock**
Attorney, Agent, or Firm—**Jones, Day, Reavis & Pogue**

[57] **CLAIM**

The ornamental design for a spring clip, as shown.

DESCRIPTION

FIG. 1 is a rear perspective view of a spring clip embodying my new design;
FIG. 2 is a front elevation thereof;
FIG. 3 is a right side elevation thereof, the left side being a mirror image;
FIG. 4 is a rear elevation thereof;
FIG. 5 is a bottom plan view thereof;
FIG. 6 is a top plan view thereof.

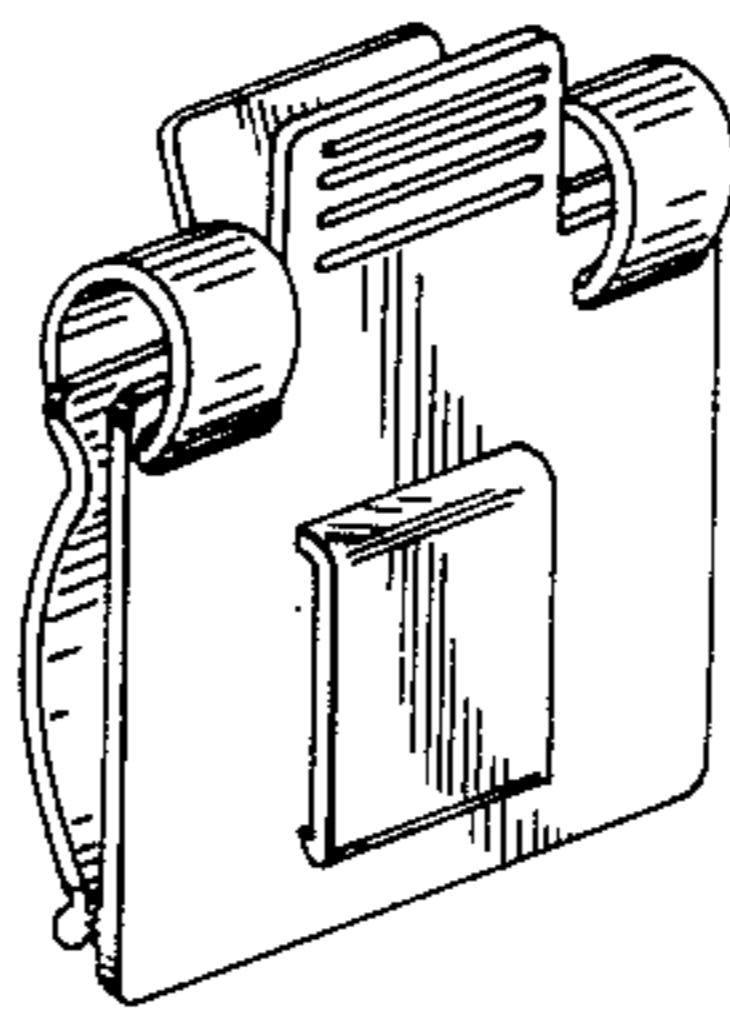


FIG. 1

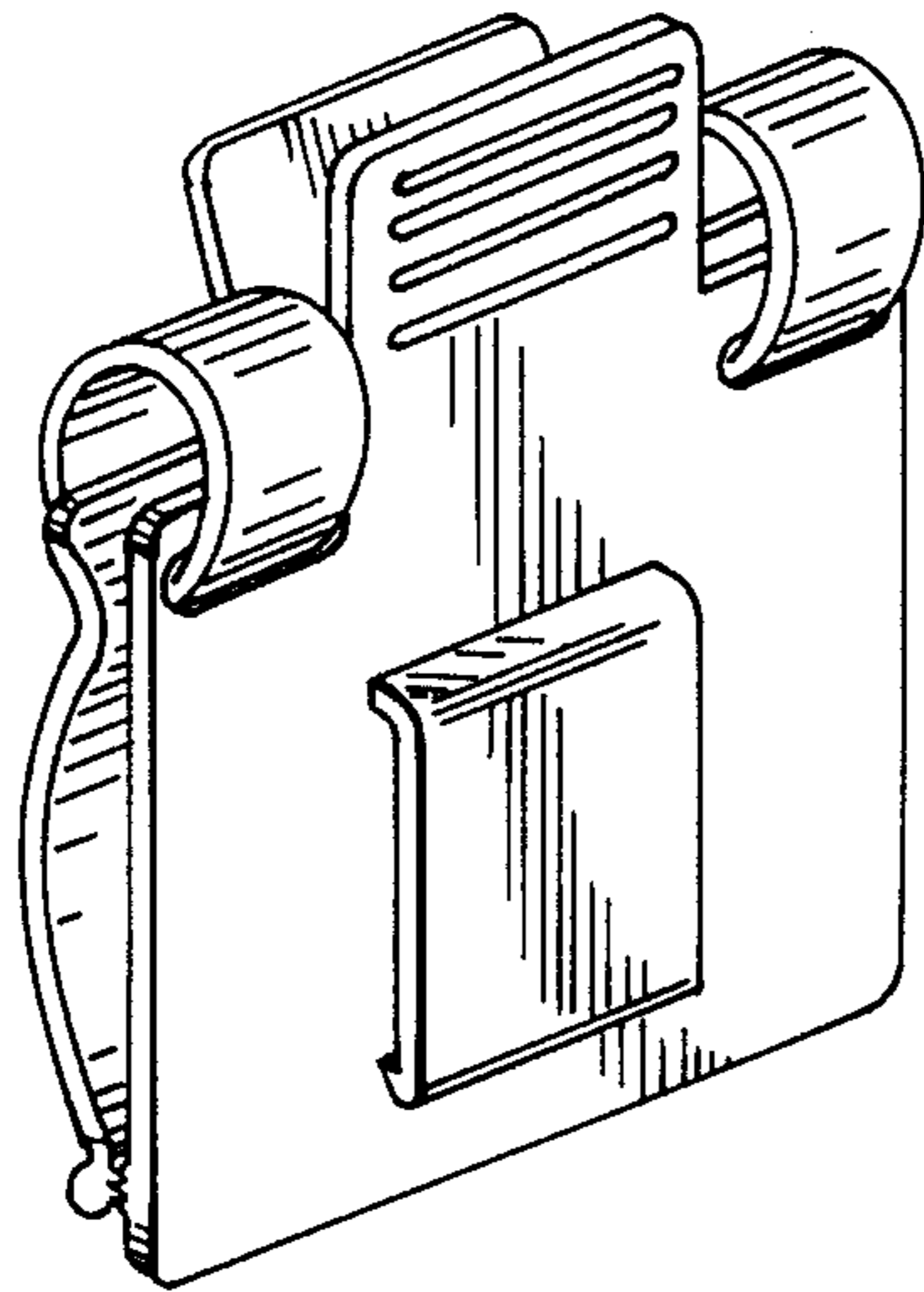


FIG. 2

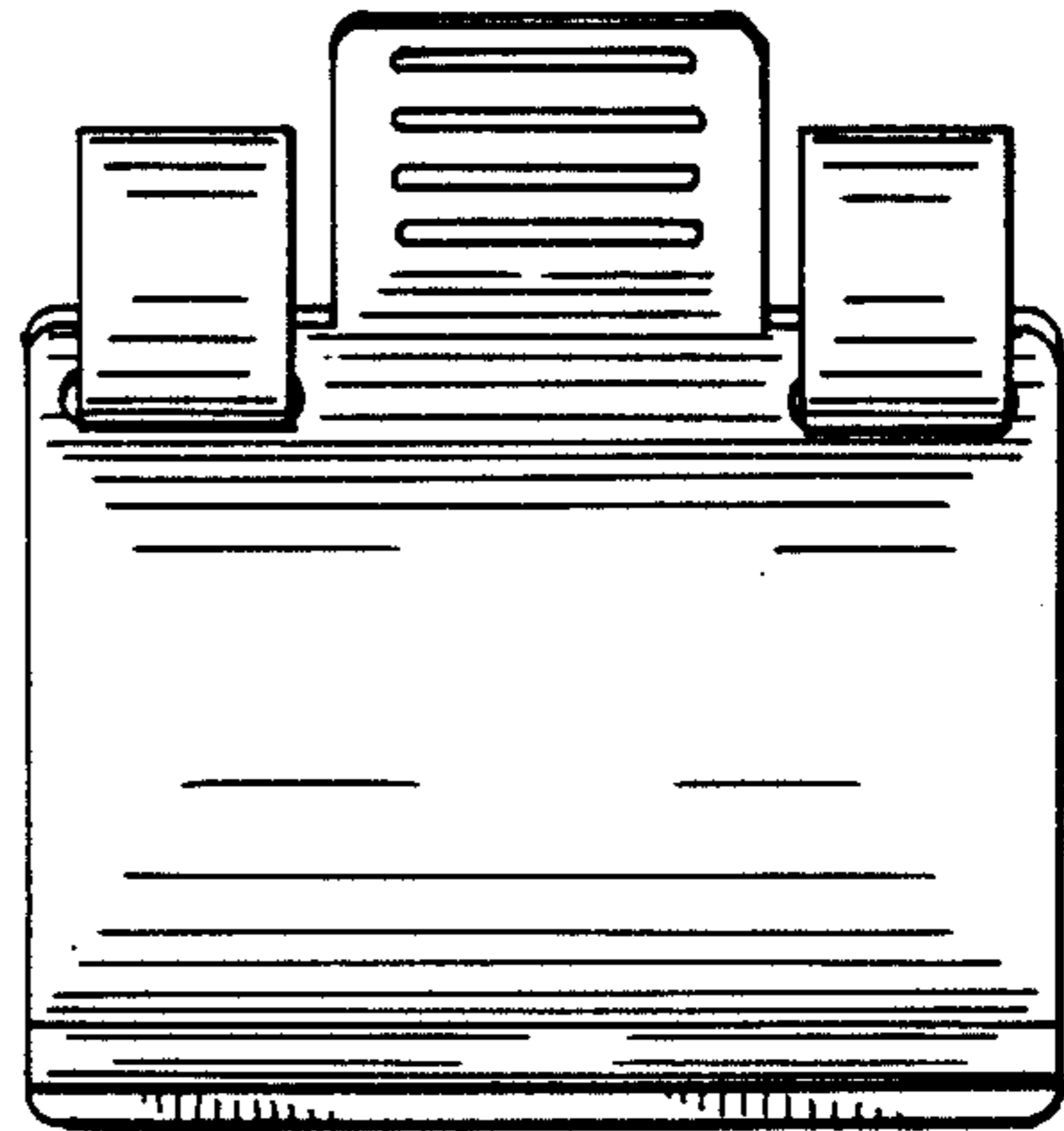


FIG. 3

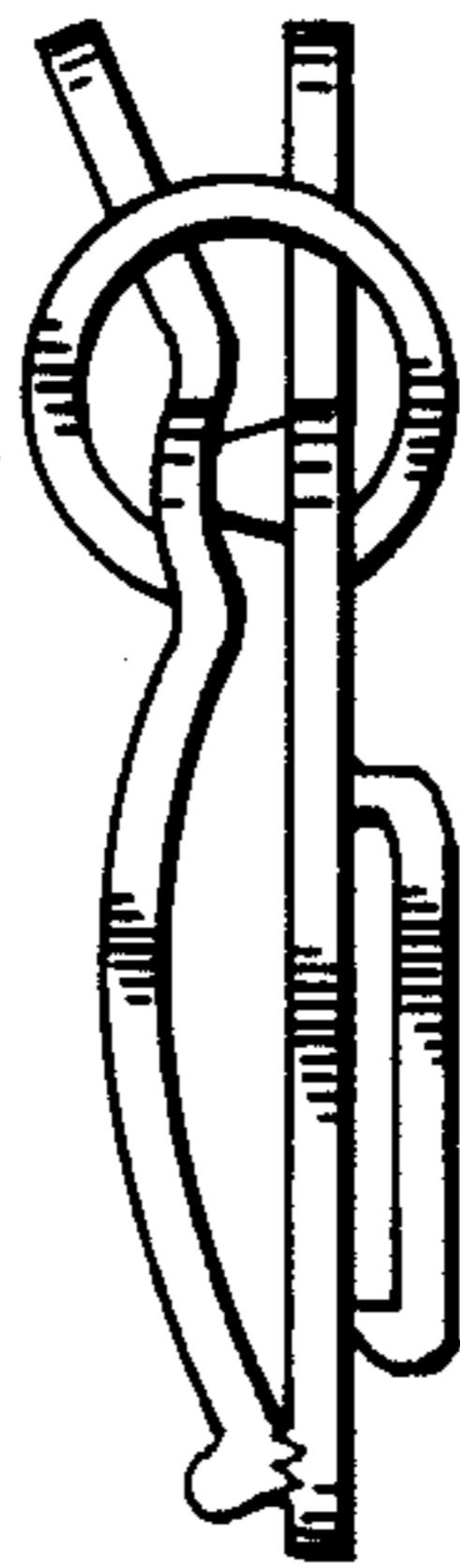


FIG. 4

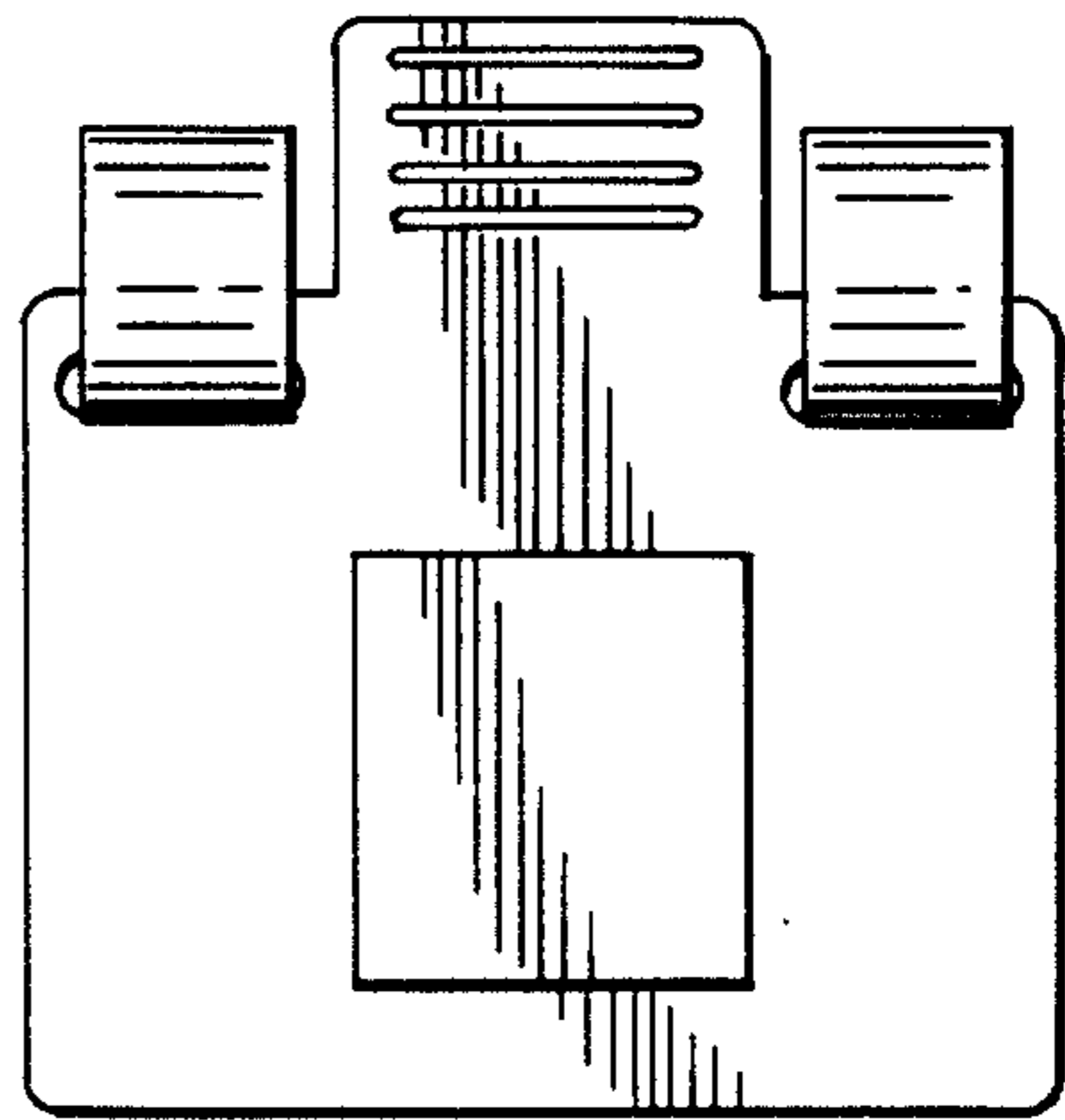


FIG. 5

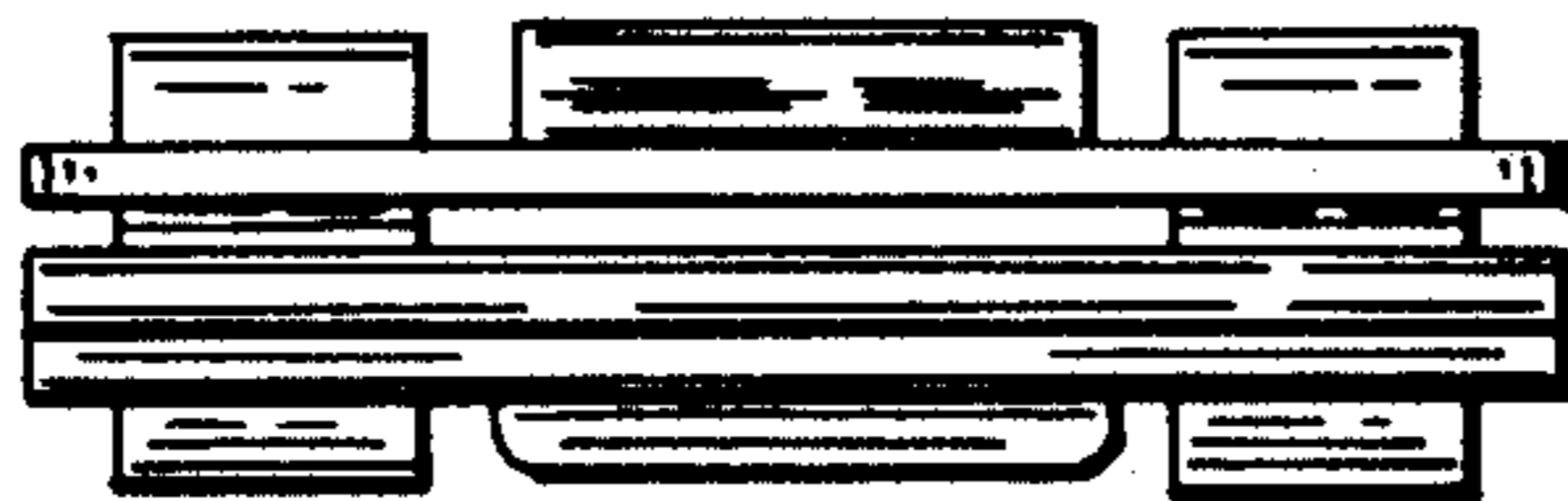


FIG. 6

