

[54] RETAINING CLIP FOR FLASHLIGHTS OR THE LIKE

[76] Inventor: Herbert L. Leatherman, 720 Lilac La., Glendora, Calif. 91740

[\*\*] Term: 14 Years

[21] Appl. No.: 129,690

[22] Filed: Dec. 7, 1987

[52] U.S. Cl. .... D8/395; D8/396

[58] Field of Search ..... D8/394-396, D8/371; D11/215; 24/326, 335, 336, 339, 343, 545, 546

[56] References Cited

U.S. PATENT DOCUMENTS

- D. 273,821 5/1984 Bianchi ..... D11/215
- 1,324,308 12/1919 Crossan ..... 24/339
- 1,958,934 5/1934 Williams ..... 24/336

FOREIGN PATENT DOCUMENTS

0799878 8/1958 United Kingdom ..... 24/336

Primary Examiner—B. J. Bullock  
Attorney, Agent, or Firm—Boniard I. Brown

[57] CLAIM

The ornamental design for a retaining clip for flashlights or the like, as shown and described.

DESCRIPTION

FIG. 1 is a perspective view of a retaining clip for flashlights or the like showing my new design, the flashlight and penny being shown in broken lines for illustrative purposes only;  
 FIG. 2 is a rear view thereof;  
 FIG. 3 is a left side view thereof, the right side being a mirror image;  
 FIG. 4 is a bottom view thereof; and  
 FIG. 5 is a top view thereof.

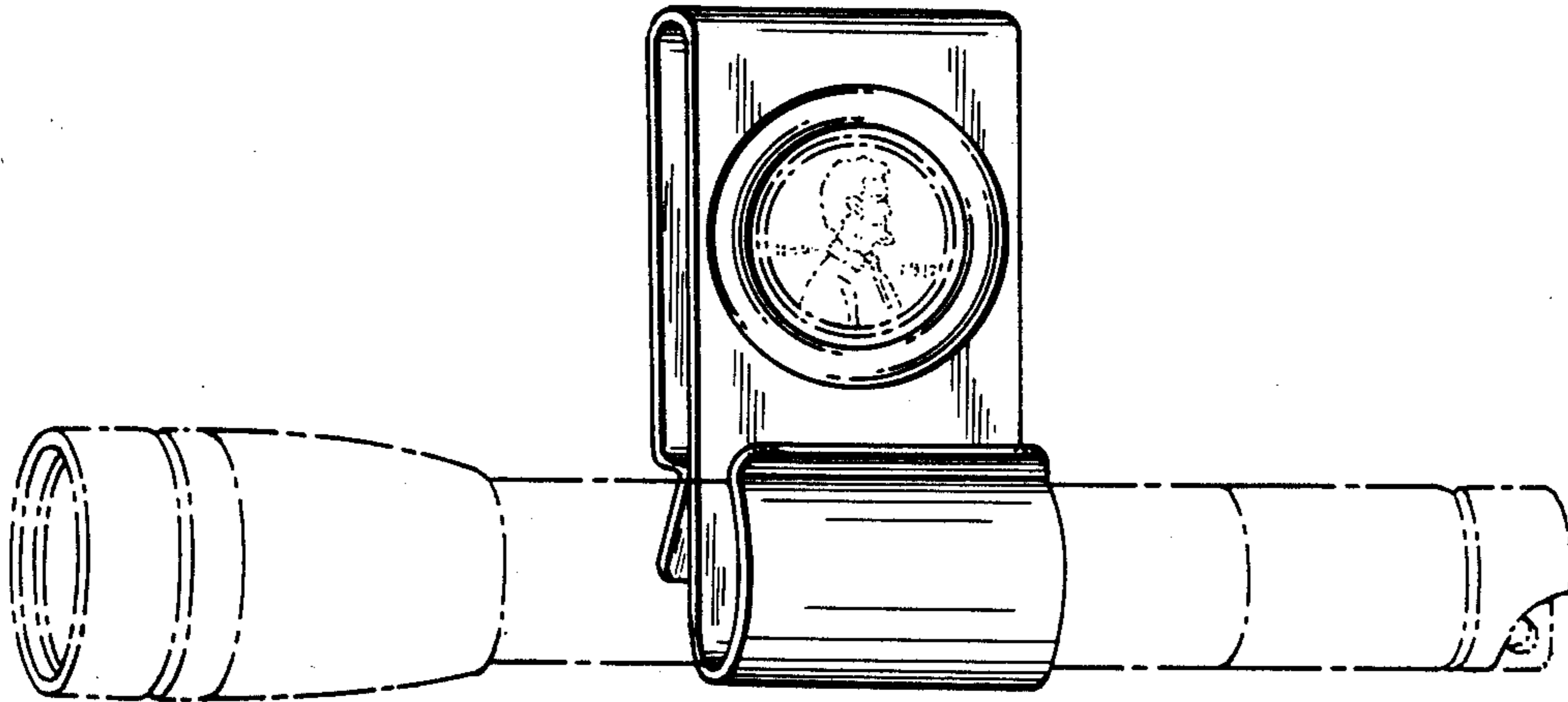


FIG. 1

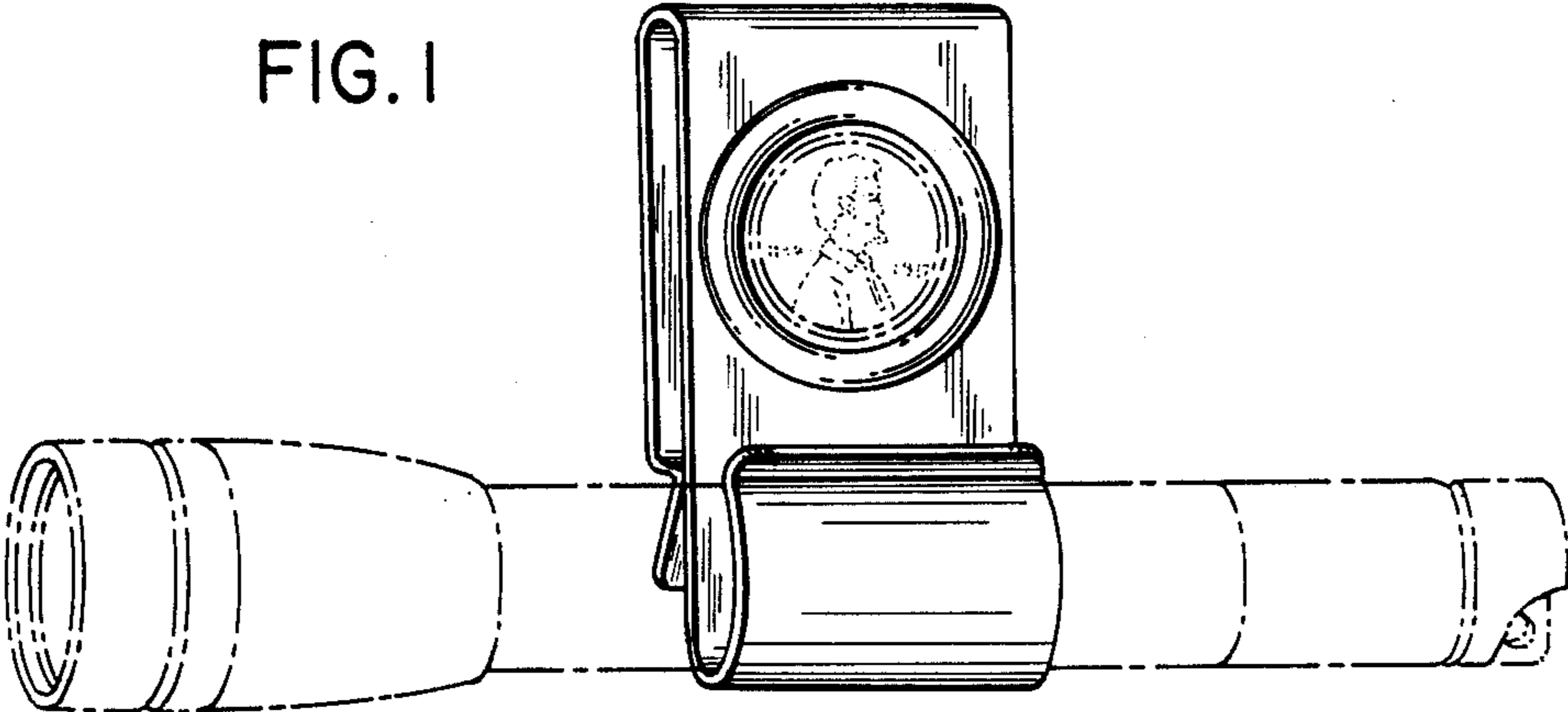


FIG. 2

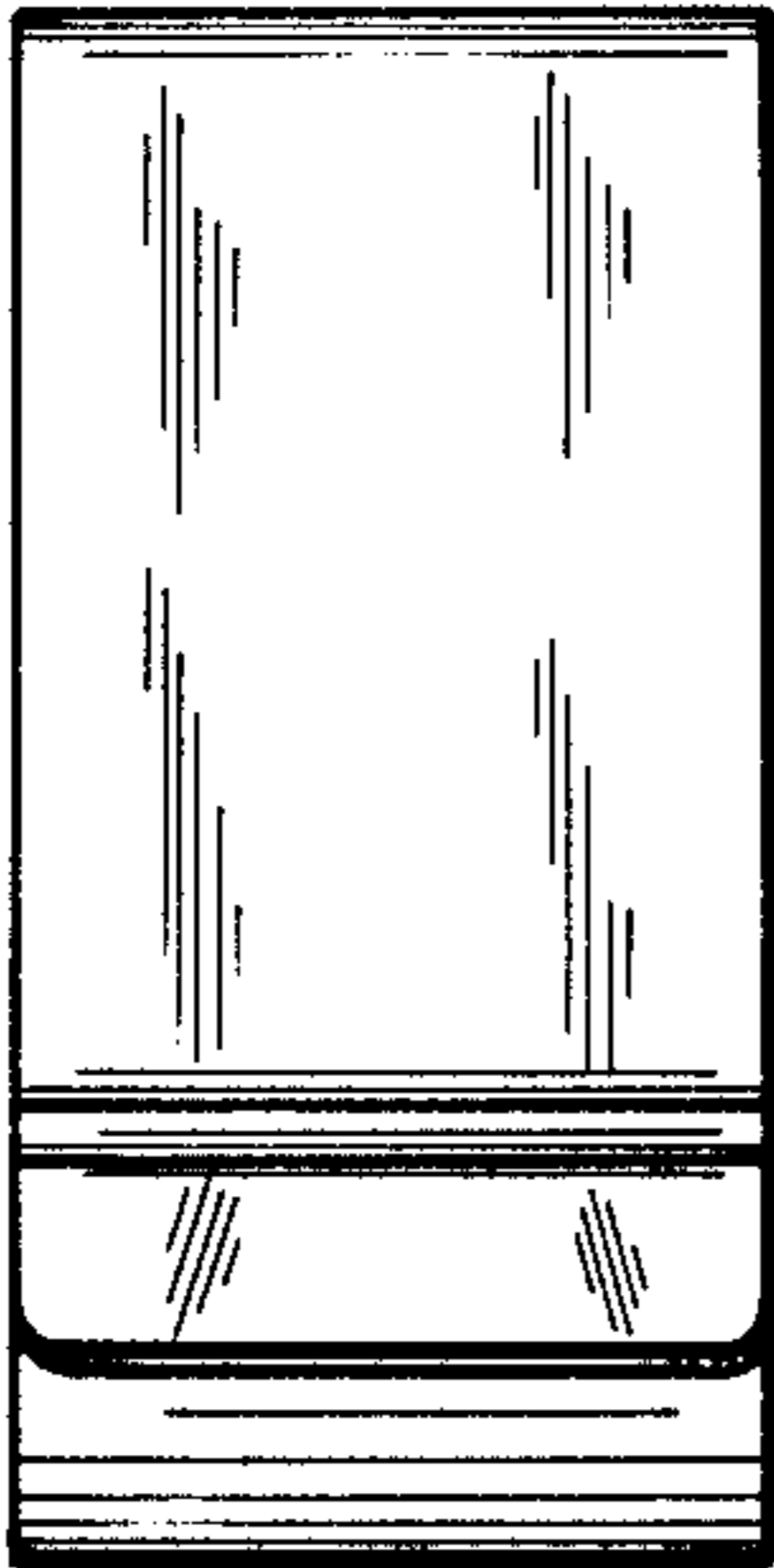


FIG. 3

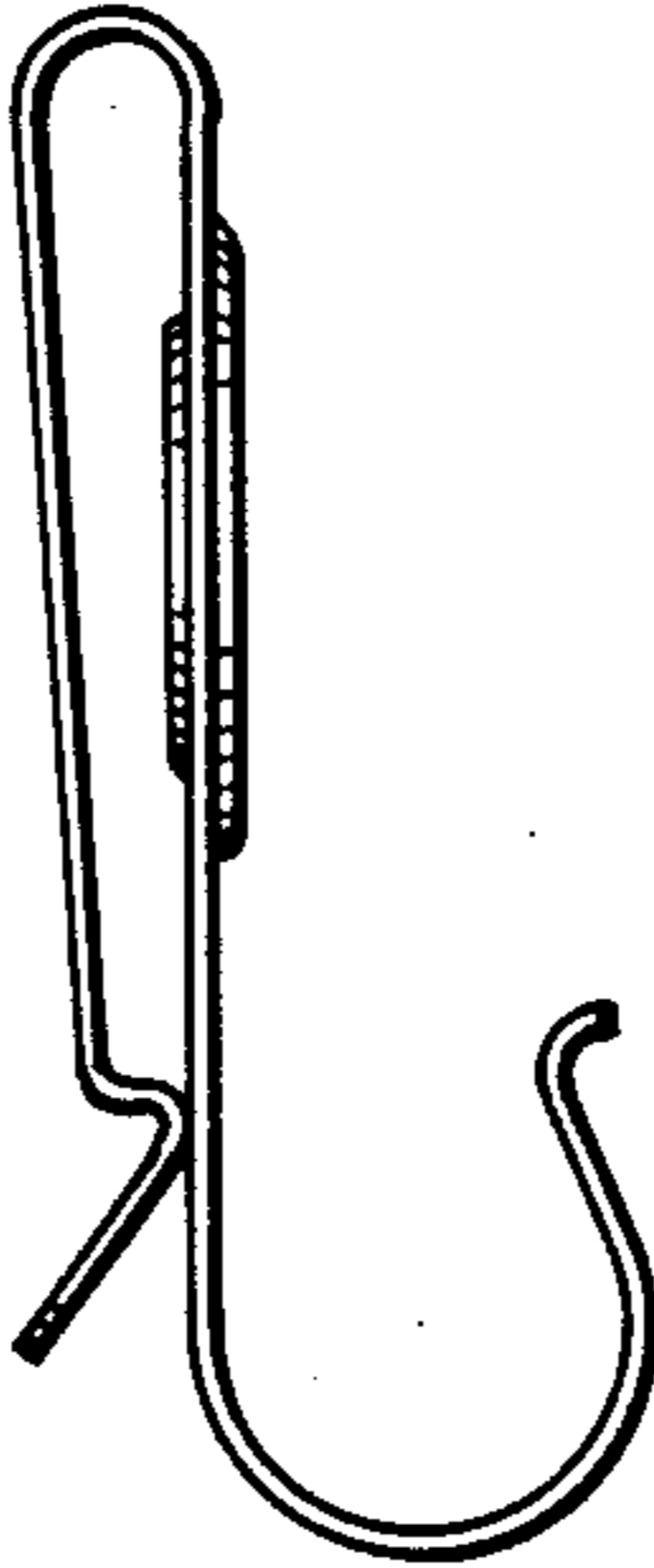


FIG. 4

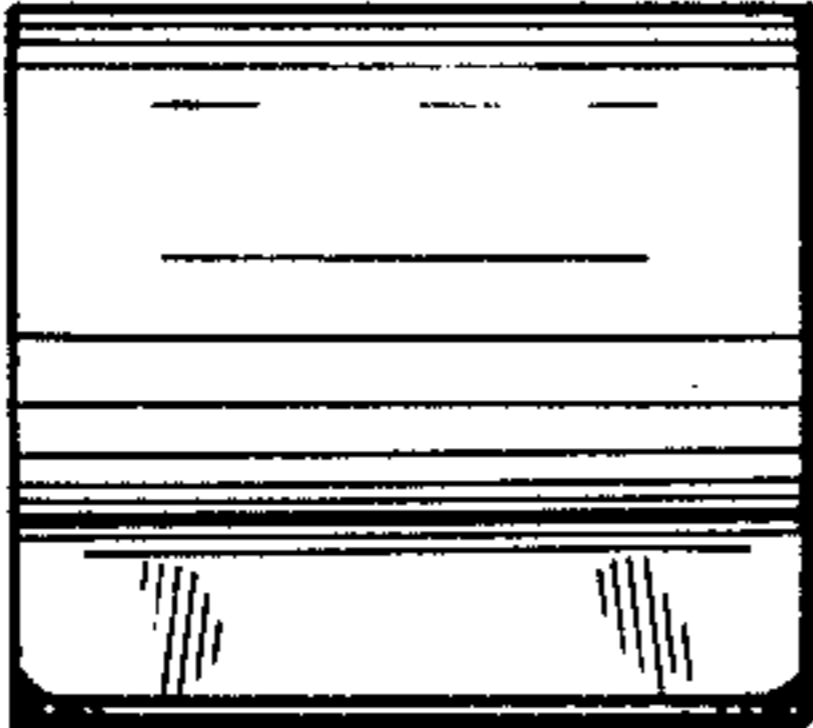


FIG. 5

