

[54] **BASE FOR A GLUE GUN OR SIMILAR ARTICLE**
 [75] **Inventor: Robert Straub, Baltimore, Md.**
 [73] **Assignee: Black & Decker Inc., Newark, Del.**
 [**] **Term: 14 Years**
 [21] **Appl. No.: 82,702**
 [22] **Filed: Aug. 7, 1987**
 [52] **U.S. Cl. D8/71; D8/14.1**
 [58] **Field of Search D8/14.1, 30, 29.1, 71; 248/117.1-117.7, 346, 346.1, 152, 176; 211/70, 70.1, 70.8; 219/242, 247, 229, 227, 259; 222/146.2, 146.5, 173**

3,281,637 10/1966 Hultquist .
 3,293,528 12/1966 Rosen et al. 219/242
 3,310,100 3/1967 Ygfors .
 3,413,742 12/1968 Le Sueur et al. .
 3,430,816 3/1969 Nadherny et al. .
 3,523,176 8/1970 Hill .
 3,745,676 7/1973 Dikoff .
 3,760,149 9/1973 Harsanyi .
 3,924,097 12/1975 Knowles et al. .
 4,096,545 6/1978 Helwig .
 4,101,756 7/1978 Yamano .
 4,249,657 2/1981 Bates 248/346
 4,333,623 6/1982 May .
 4,456,816 6/1984 Fortune .
 4,528,429 7/1985 Dobson et al. .
 4,692,587 9/1987 Spirk, Jr. et al. .

[56] **References Cited**
U.S. PATENT DOCUMENTS

D. 234,905 4/1975 Foster et al. .
 723,634 3/1903 Ayer .
 905,459 12/1908 Rice, Jr. .
 908,712 1/1909 Van Dolsen .
 925,050 6/1909 Sprenger .
 962,768 6/1910 Levy .
 1,010,891 12/1911 Gamble .
 1,270,304 6/1918 Kuhn et al. .
 1,325,022 12/1919 Lightfoot .
 1,530,352 3/1925 Cook .
 1,554,347 9/1925 Hansen et al. .
 1,655,708 1/1928 Moyer .
 1,851,685 3/1932 Salmon .
 2,020,110 11/1935 Duvall .
 2,036,169 3/1936 Beleson .
 2,058,068 10/1936 Duvall .
 2,140,817 12/1938 Springall .
 2,243,549 5/1941 Yocom .
 2,454,875 11/1948 Hyde .
 2,461,776 2/1949 Rowan 219/242
 2,750,696 6/1956 Krammes .
 2,820,877 1/1958 Oates, Jr. .
 2,995,159 8/1961 Berggren .

FOREIGN PATENT DOCUMENTS

1185558 4/1968 United Kingdom .

Primary Examiner—Nelson C. Holtje
Assistant Examiner—Clare E. Heflin
Attorney, Agent, or Firm—Charles E. Yocum; John D. Del Ponti; Dennis A. Dearing

[57] **CLAIM**

The ornamental design for a base for a glue gun or similar article, as shown and described.

DESCRIPTION

FIG. 1 is a side elevational view of the base for a glue gun or similar article showing my new design;
 FIG. 2 is a cross-sectional view thereof taken along the line 2—2 in FIG. 3;
 FIG. 3 is a top plan view thereof;
 FIG. 4 is a front elevational view thereof;
 FIG. 5 is a rear elevational view thereof; and
 FIG. 6 is a reduced, top perspective view thereof.
 The broken line showing the glue gun in FIG. 1 is for illustrative purposes only and forms no part of the claimed design.

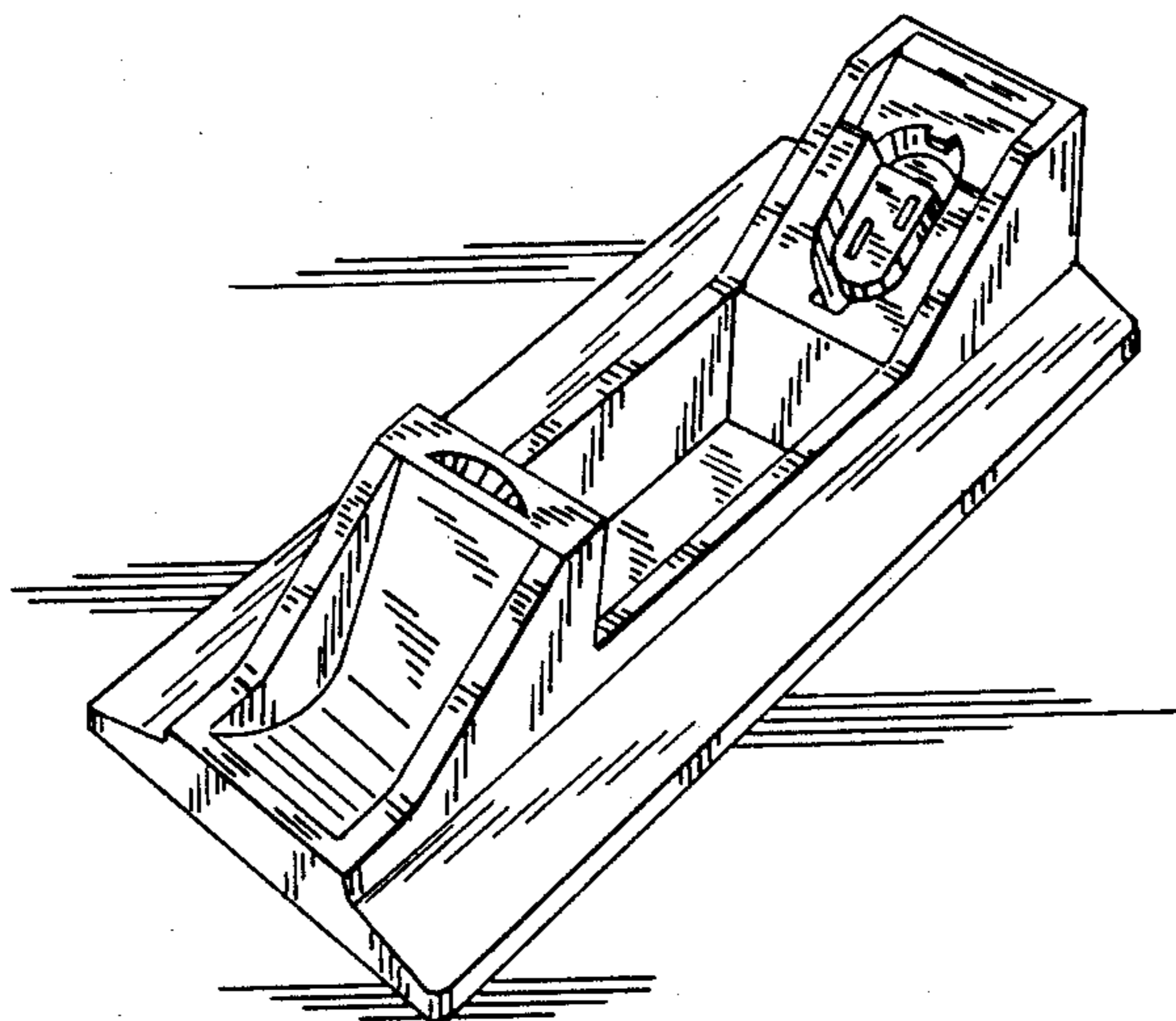


FIG. 1

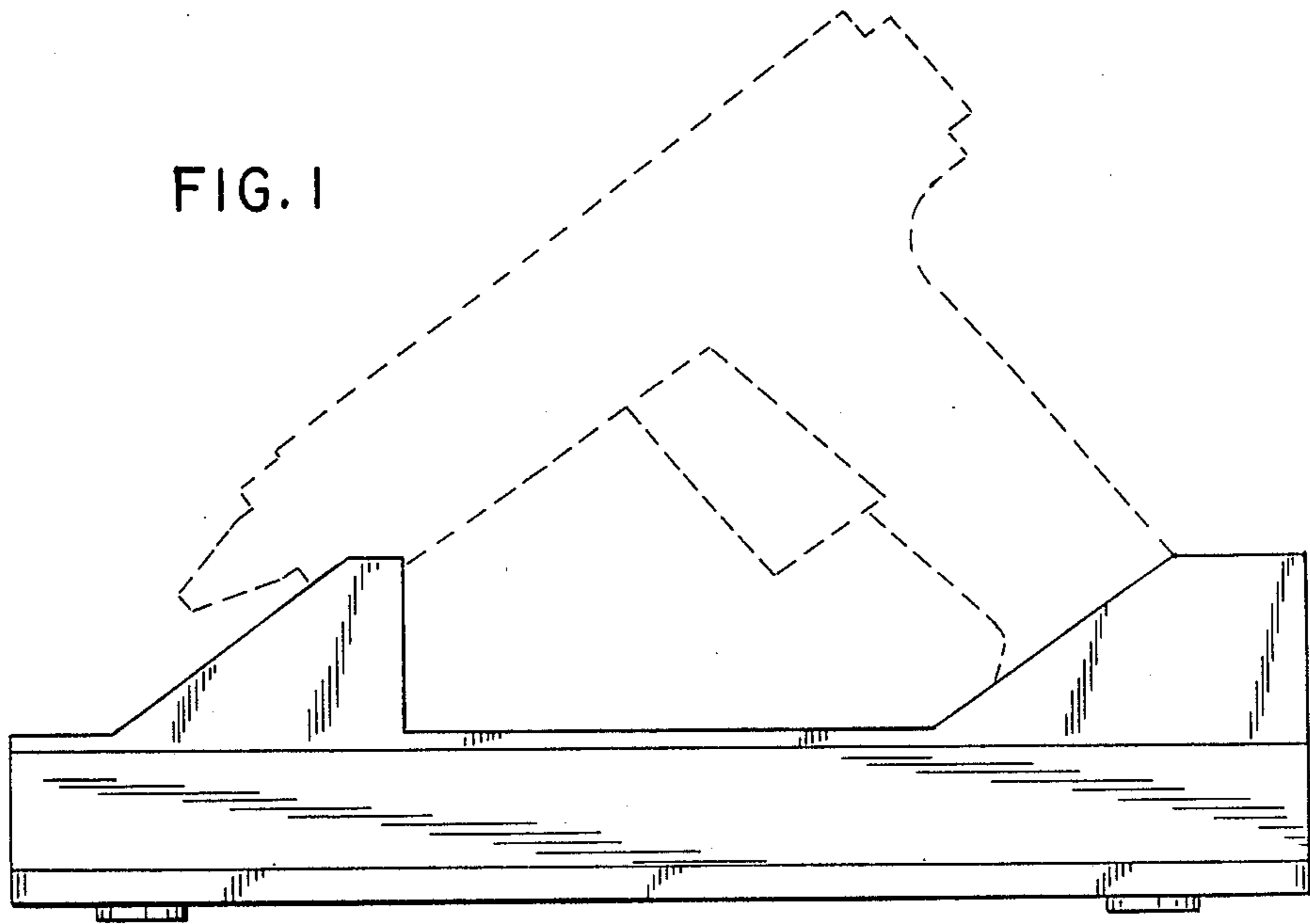
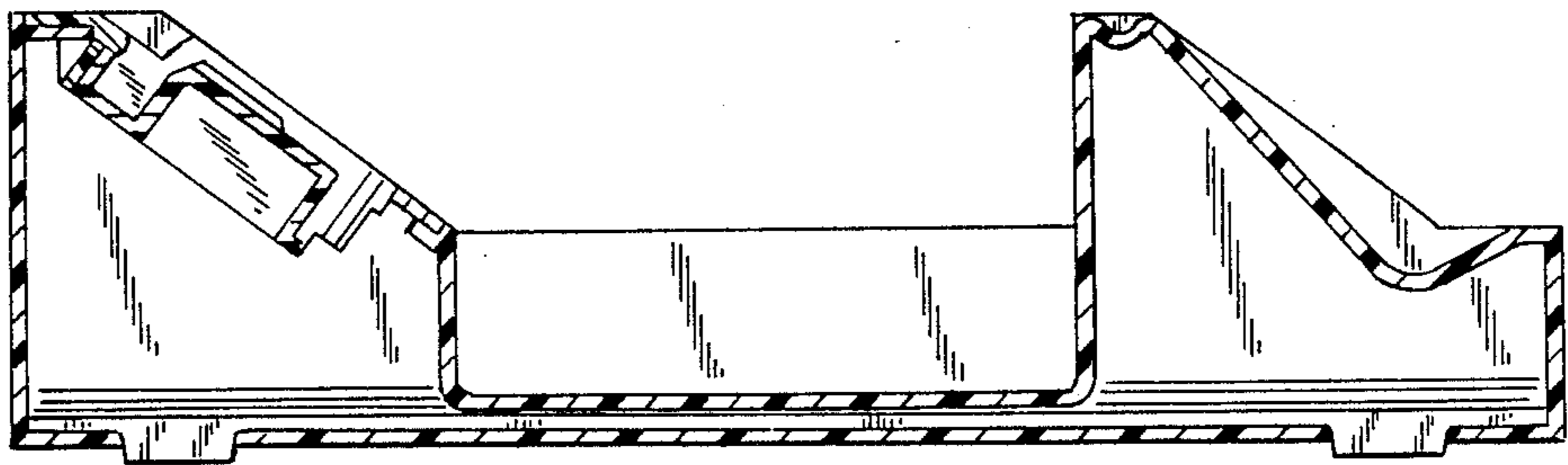


FIG. 2



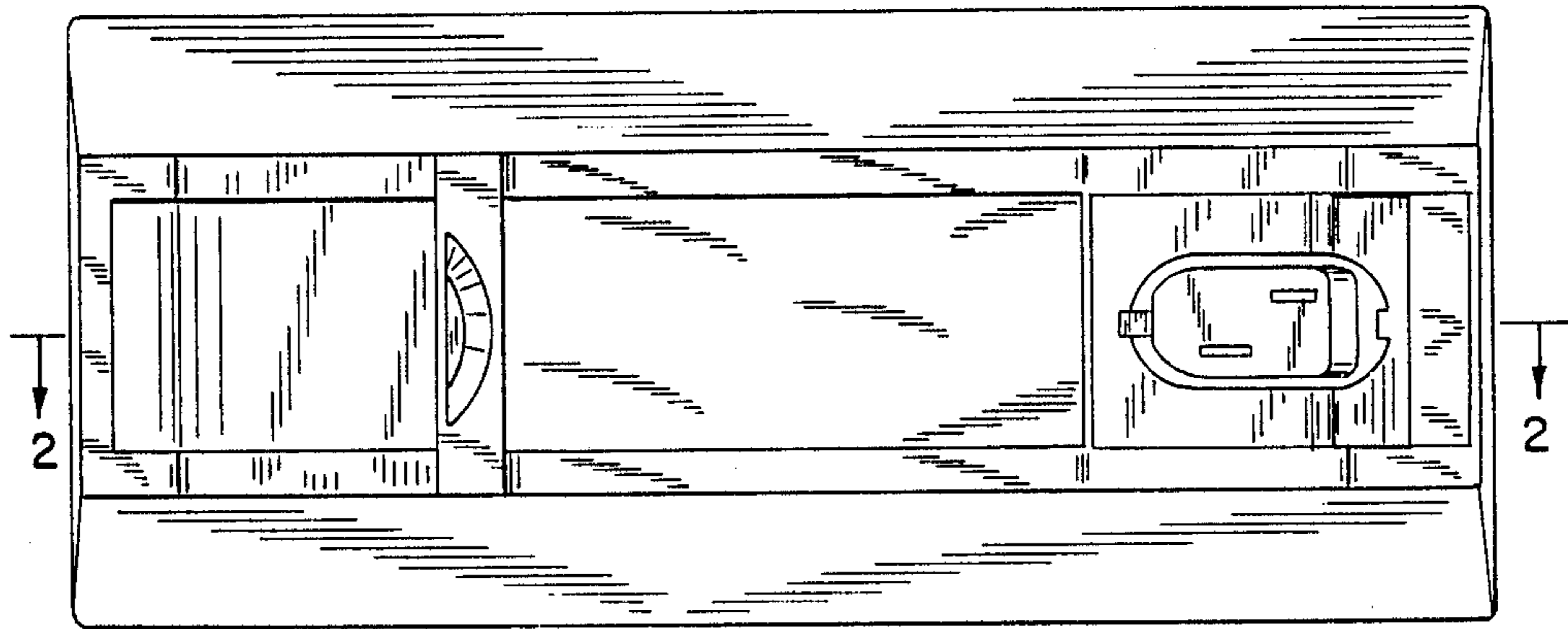


FIG. 3

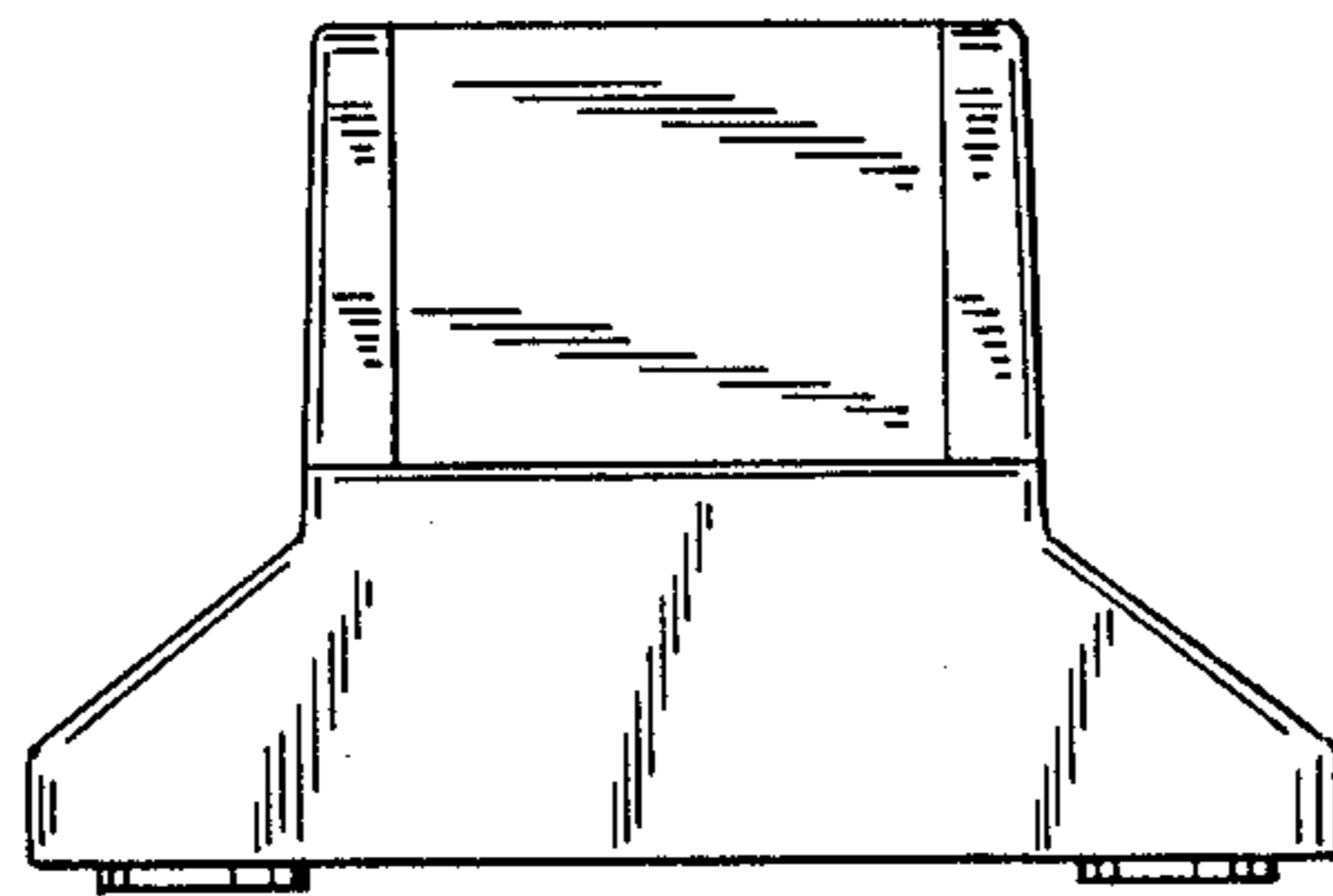


FIG. 4

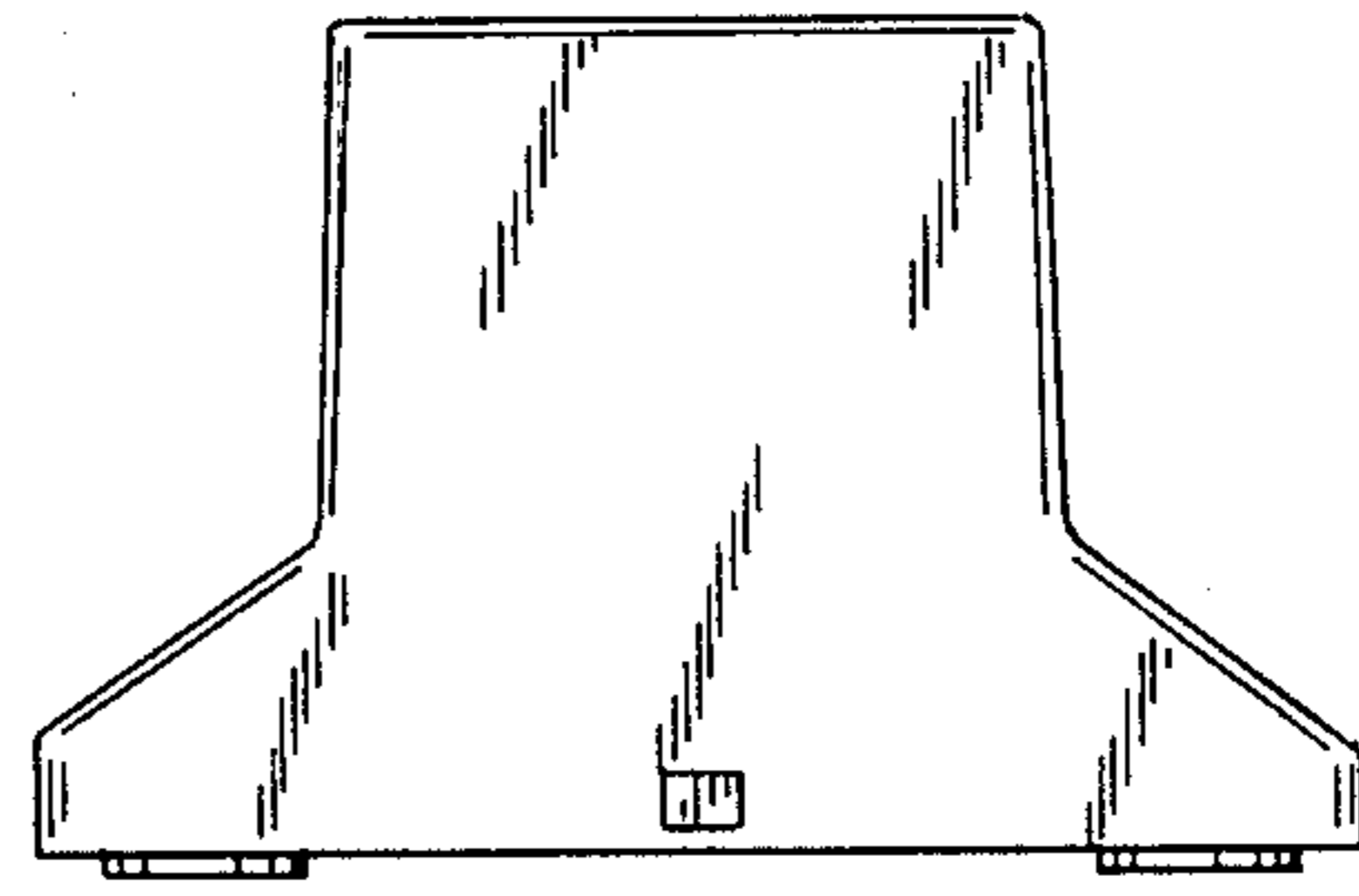


FIG. 5

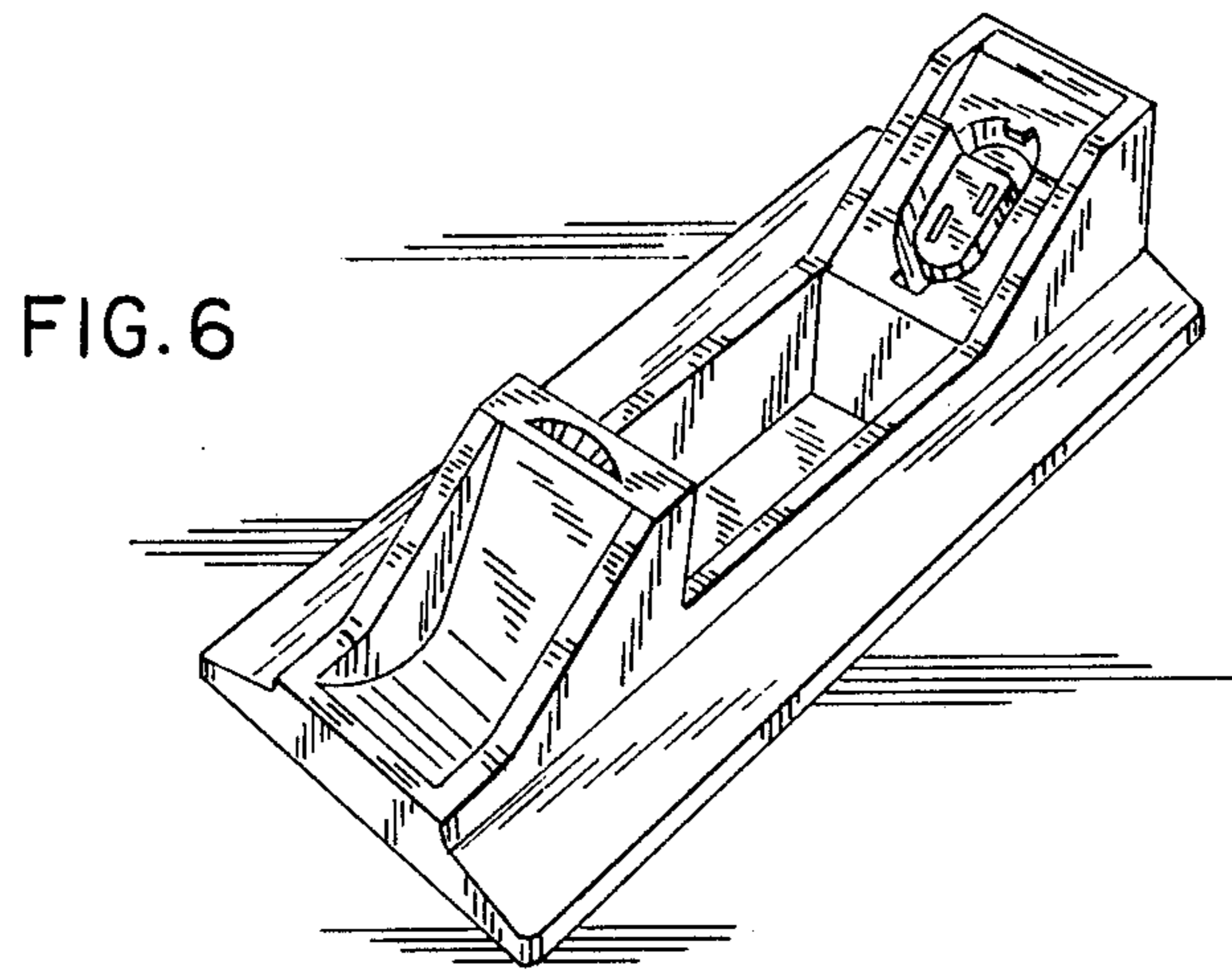


FIG. 6