

[54] PORTABLE PNEUMATIC TOOL HOUSING

[75] Inventors: Hugh T. Greenlee; Roy P. Hess, both of Gates Mills, Ohio

[73] Assignee: Upneumat International, Inc., New Fairfield, Conn.

[**] Term: 14 Years

[21] Appl. No.: 938,835

[22] Filed: Dec. 8, 1986

[52] U.S. Cl. D8/62; D8/67; D8/69

[58] Field of Search D8/61-70; 173/170; 81/57.11, 57.13, 57.14; 51/170 R, 170 MT, 170 T, 170 PT, 170 TL, 358, 382-386

[56] References Cited

U.S. PATENT DOCUMENTS

D. 235,614	7/1975	Taylor	D8/62
3,108,409	10/1963	Hendrickson	173/170
3,214,823	11/1965	Hendrickson	51/170 TL
3,274,895	9/1966	Hendrickson	51/170 R
3,732,651	5/1973	Rodstein	51/170 TL

OTHER PUBLICATIONS

Ingersoll-Rand Straight Line Air Sander, Model #I-R 315.

Rodac Straight Line Sander/Filer, Model #8800.

Allan Air Products Inc., Filer/Sander Model #VDFS-1.

Astro-Pneumatic Tool Co., Straight Line Sander Model #5999.

Chicago Pneumatic Tool Co. Straight Line Sander Model #CP767.

Primary Examiner—Nelson C. Holtje

Assistant Examiner—Clare E. Heflin

Attorney, Agent, or Firm—George C. Atwell

[57] CLAIM

The ornamental design for a portable pneumatic tool housing, as shown and described.

DESCRIPTION

FIG. 1 is a side elevational view of the portable pneumatic tool housing showing our new design;

FIG. 2 is a side elevational view thereof showing peripheral structure in broken lines for illustrative purposes only;

FIG. 3 is an enlarged front perspective view thereof;

FIG. 4 is an enlarged front perspective view thereof showing peripheral structure in broken lines for illustrative purposes only;

FIG. 5 is an enlarged front elevational view thereof showing peripheral structure in broken lines for illustrative purposes only;

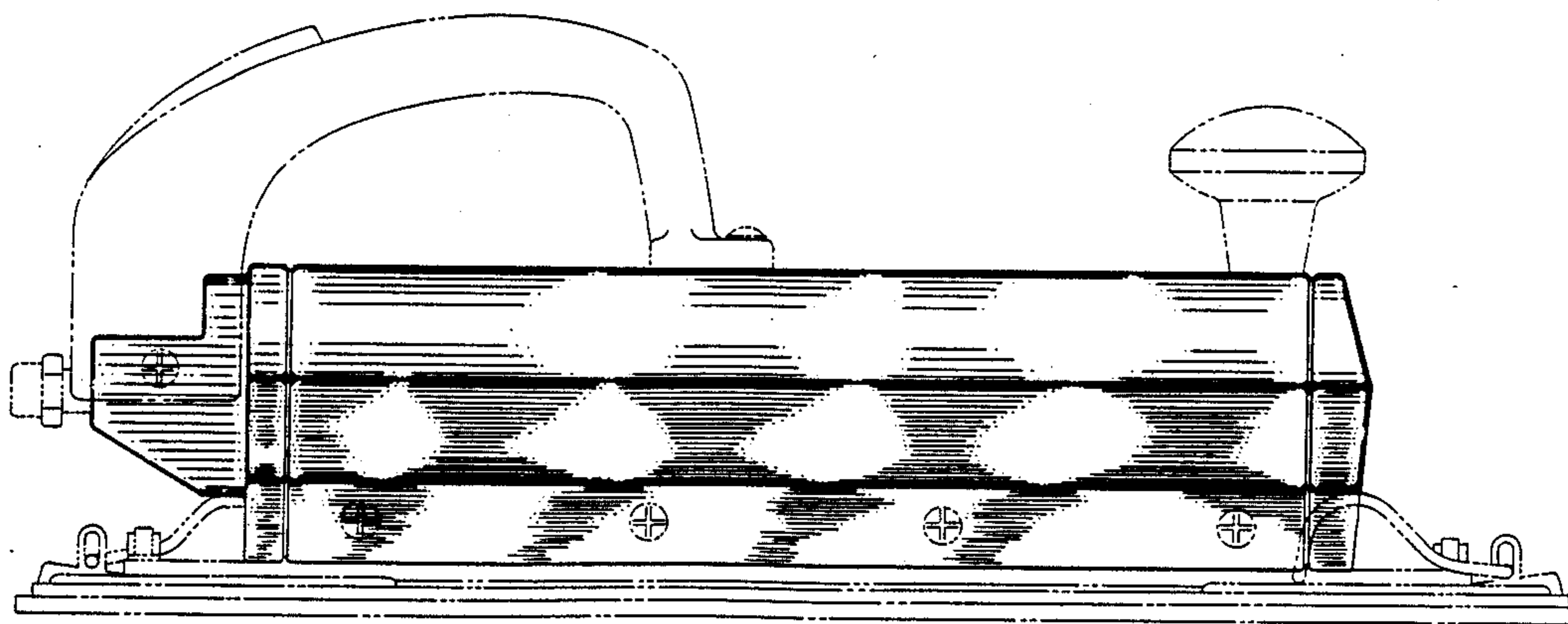
FIG. 6 is an enlarged rear elevational view thereof;

FIG. 7 is an enlarged rear elevational view thereof showing peripheral structure in broken lines for illustrative purposes only;

FIG. 8 is an enlarged top plan view thereof, the bottom being plain and unornamented;

FIG. 9 is an enlarged top plan view thereof showing peripheral structure in broken lines for illustrative purposes only.

The broken line is for illustrative purposes only and forms no part of the claimed design.



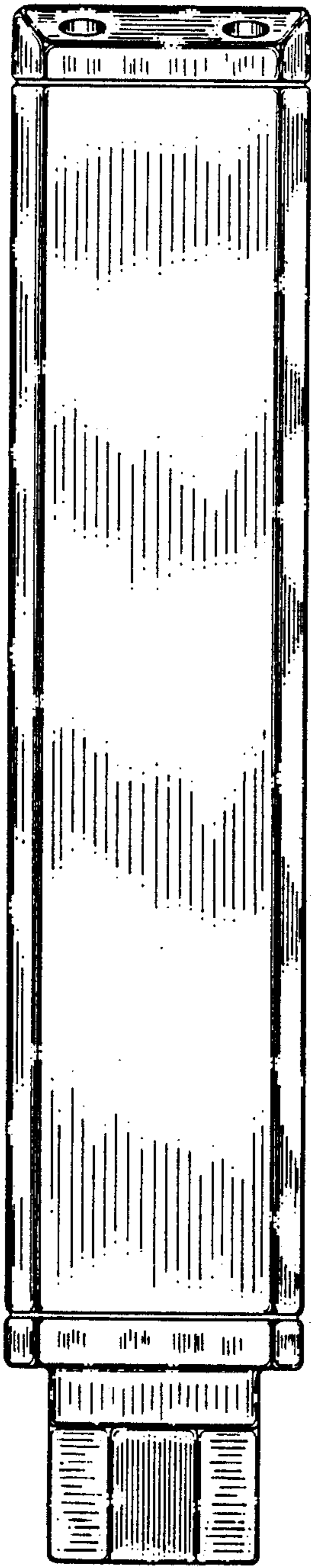


FIG. 8

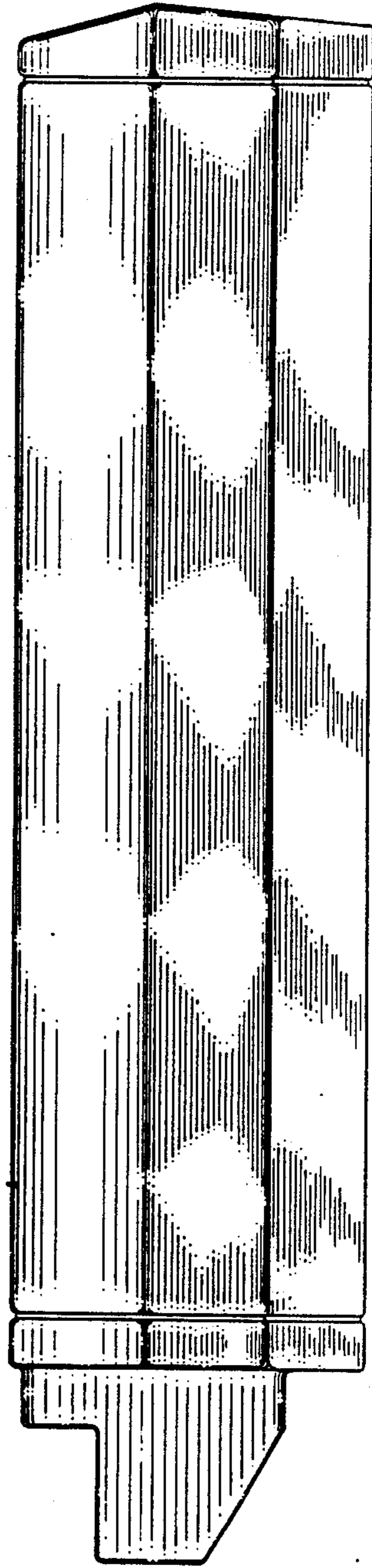


FIG. 1

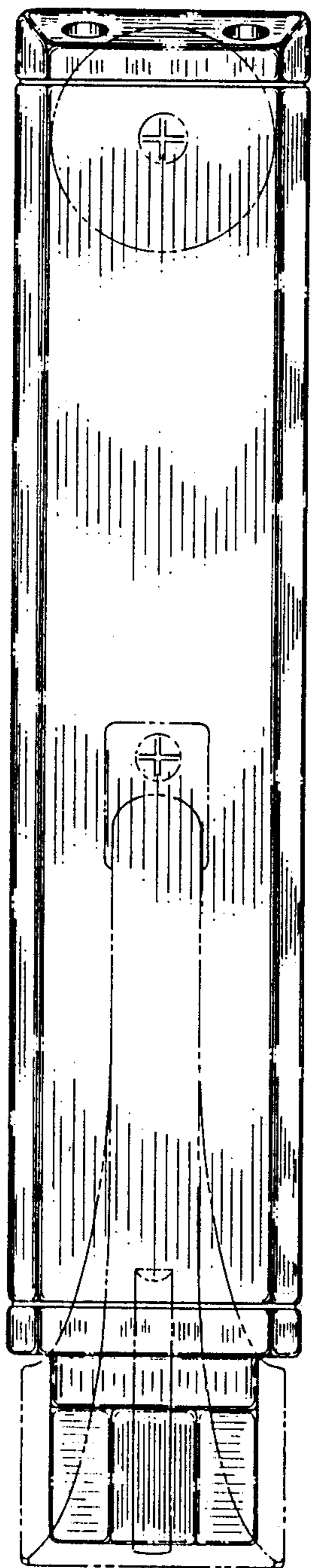


FIG. 9

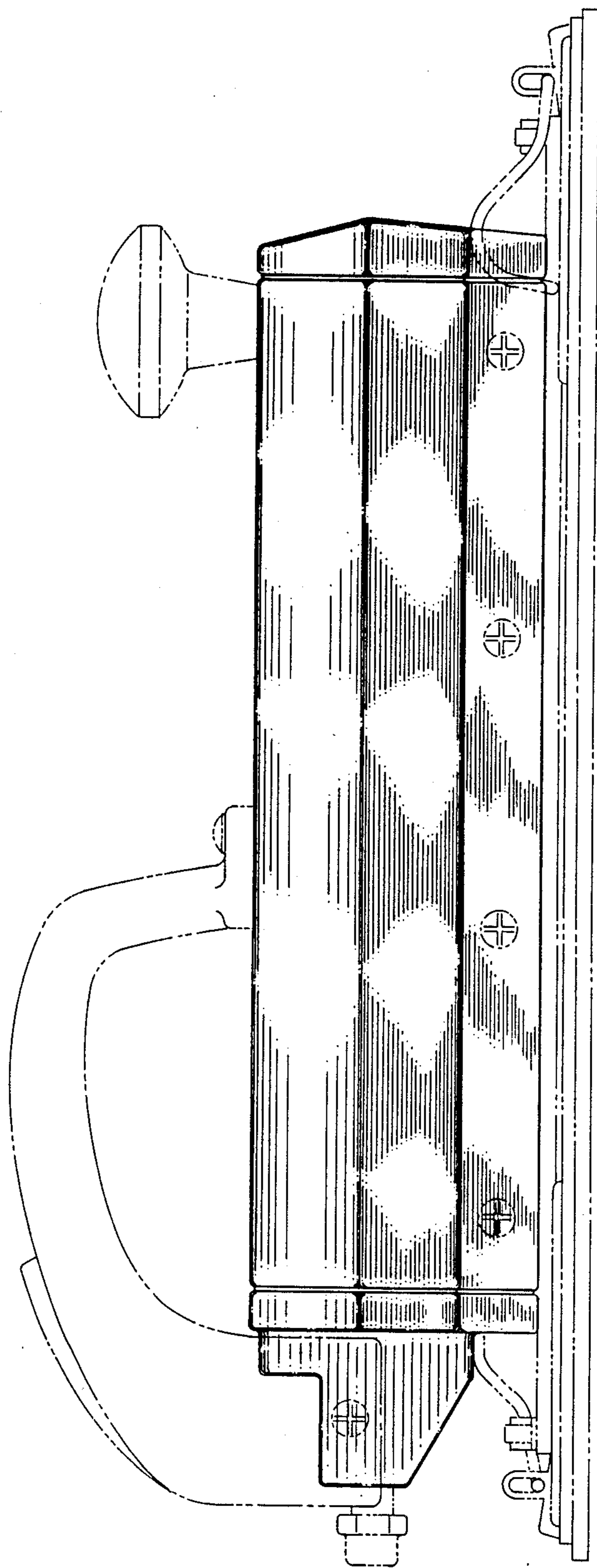


FIG. 2

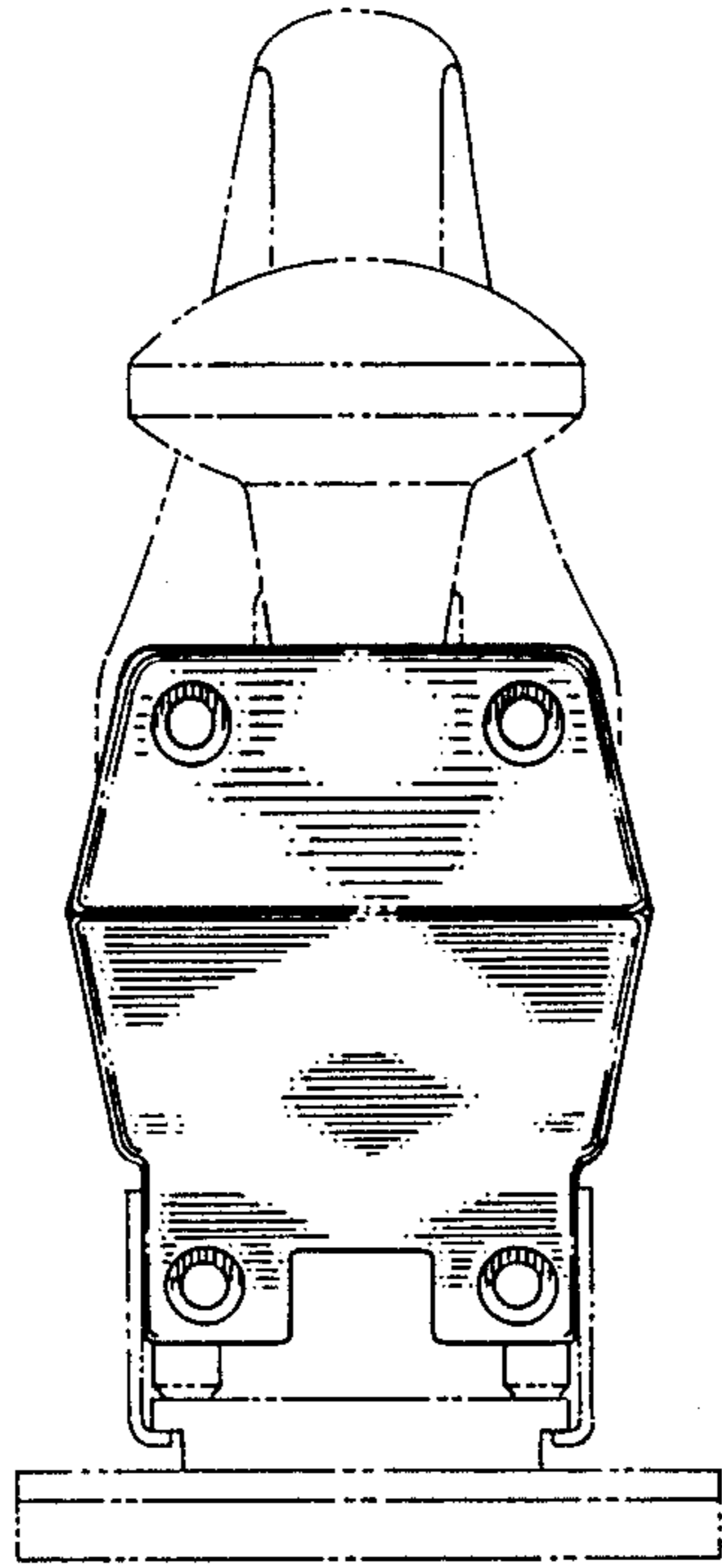


FIG. 5

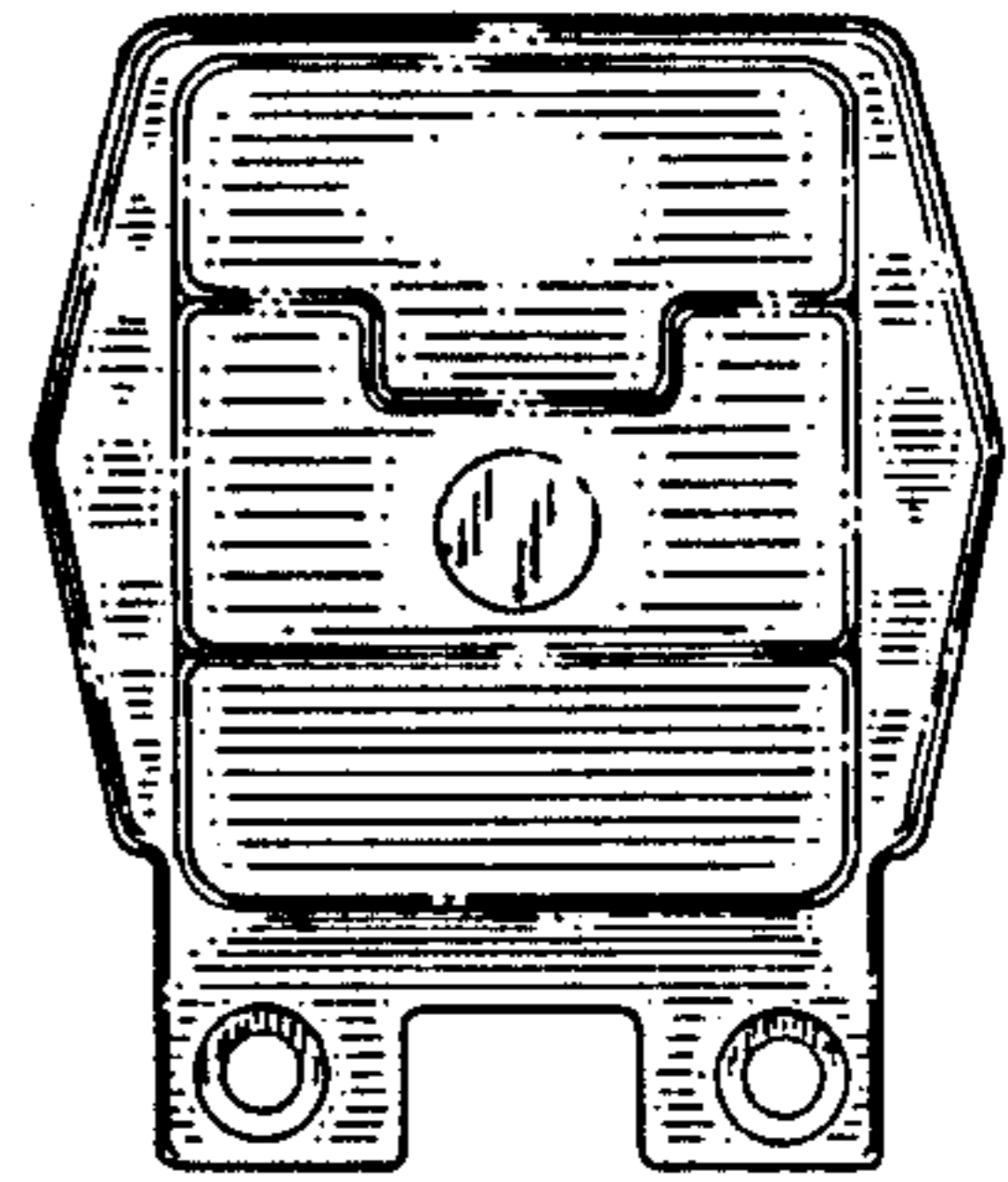


FIG. 6

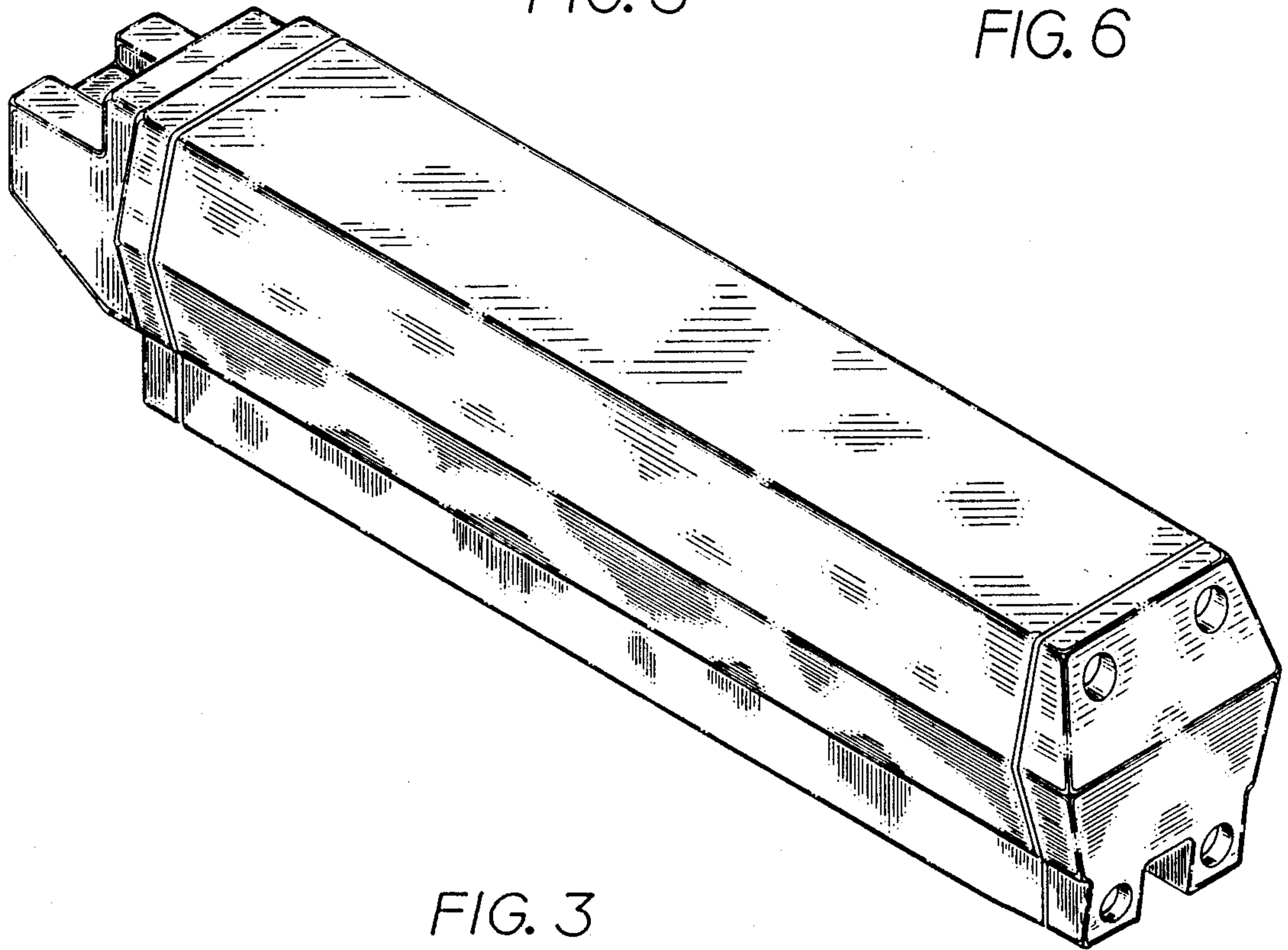


FIG. 3

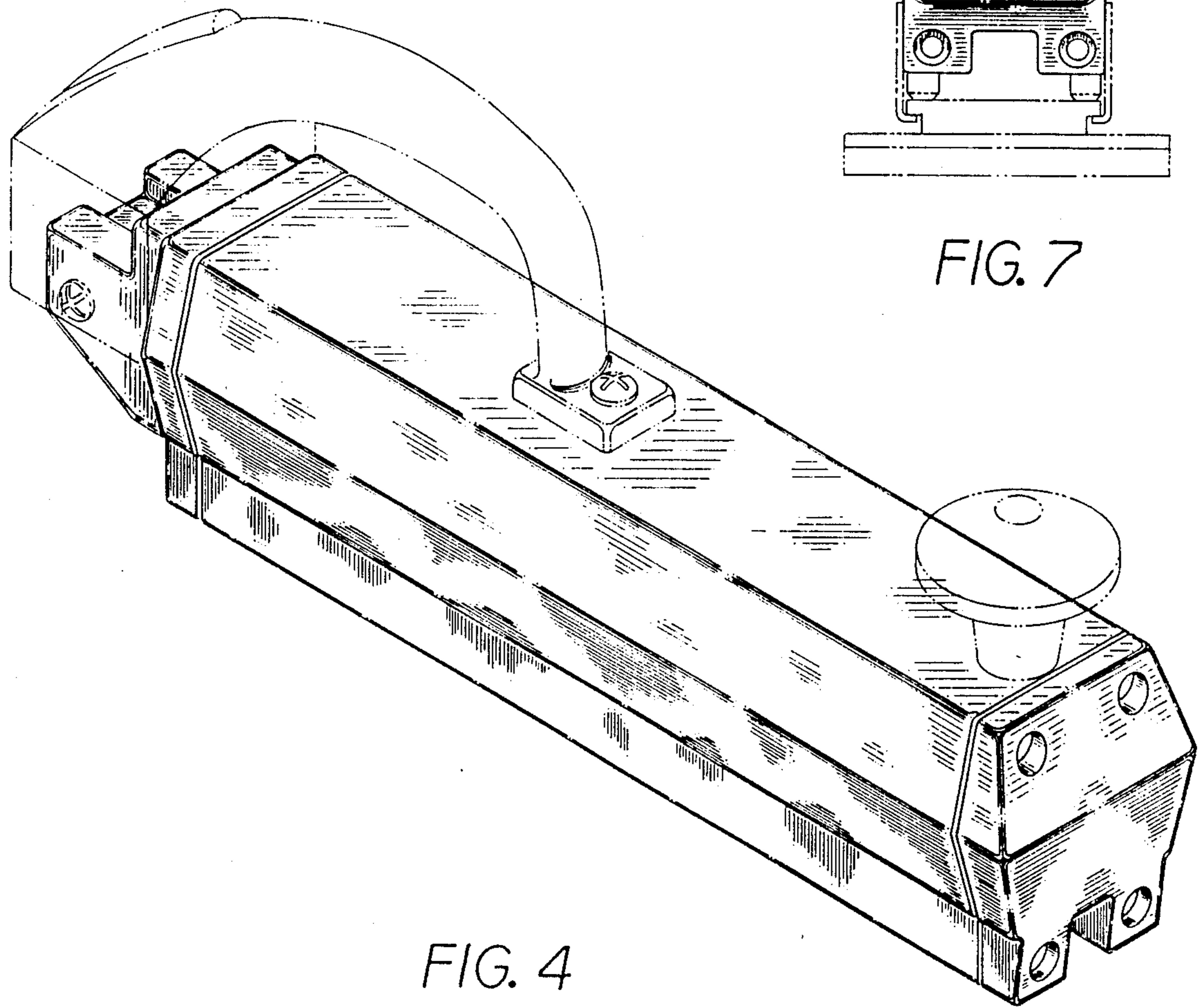


FIG. 4

FIG. 7