

United States Patent [19]

Leszczak et al.

[11] Patent Number: **Des. 308,930**

[45] Date of Patent: **** Jul. 3, 1990**

[54] **STAPLER**

[75] Inventors: **John Leszczak**, Roselle Park, N.J.;
Robert B. Staubitz, Collinsville;
William H. Valls, Harwinton, both of
Conn.

[73] Assignee: **The Bates Manufacturing Company**,
Hackettstown, N.J.

[**] Term: **14 Years**

[21] Appl. No.: **225,074**

[22] Filed: **Jul. 27, 1988**

[52] U.S. Cl. **D8/50**

[58] Field of Search **D8/49, 50; 227/120,
227/127-128, 130-132**

[56] **References Cited**

U.S. PATENT DOCUMENTS

D. 215,692 10/1969 Glennon D8/50
D. 248,920 8/1978 Jalk et al. D8/50

Primary Examiner—Bernard Ansher
Assistant Examiner—Terry A. Pfeffer
Attorney, Agent, or Firm—Weingram & Zall

[57] **CLAIM**

The ornamental design for a stapler, as shown.

DESCRIPTION

FIG. 1 is a perspective view of a stapler showing our new design;
FIG. 2 is a top plan view thereof;
FIG. 3 is a right side elevational view thereof, the opposite side being a mirror image;
FIG. 4 is a front elevational view thereof; and
FIG. 5 is a rear elevational view thereof.
FIG. 6 is a bottom plan view thereof.

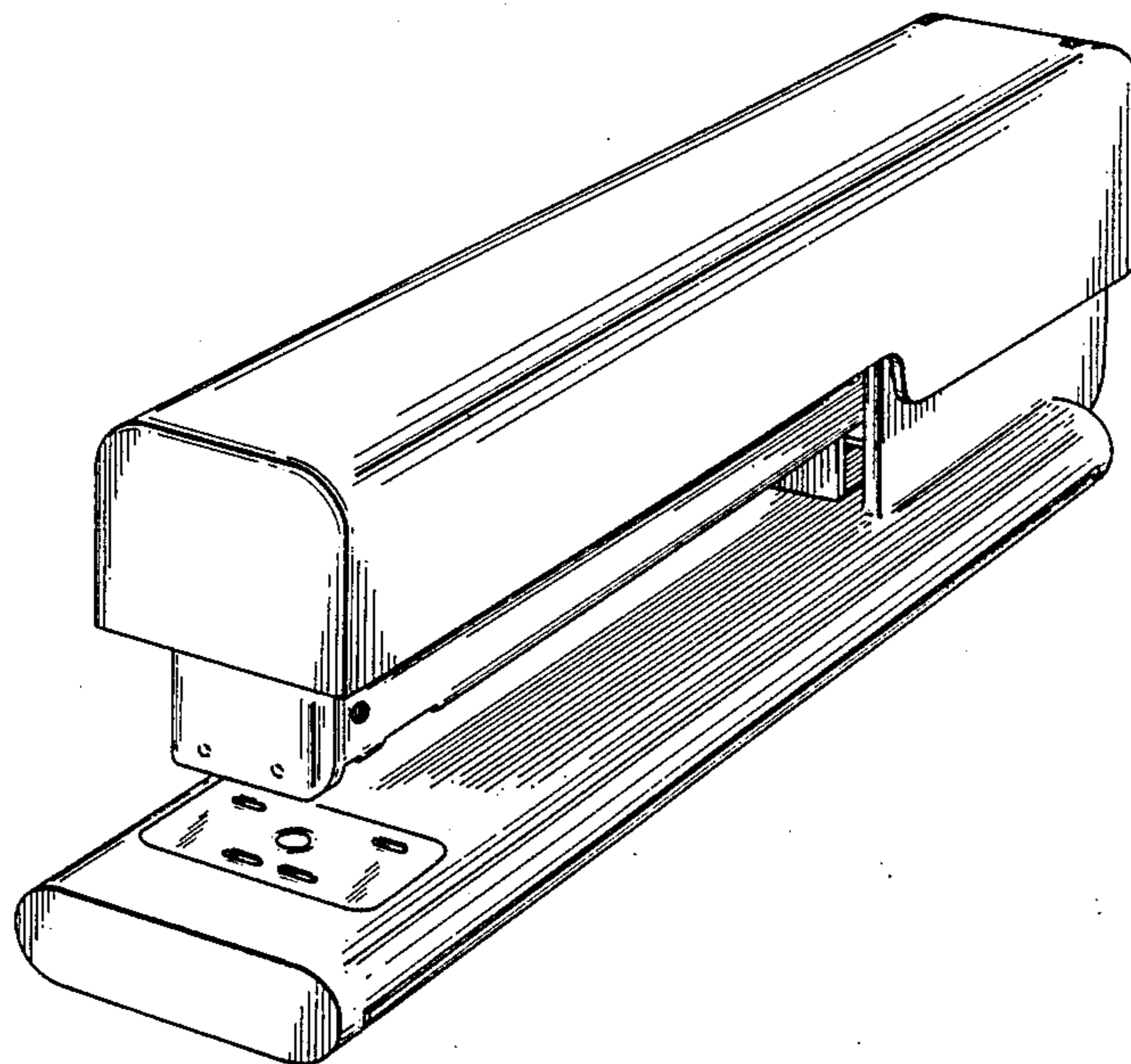


FIG-1

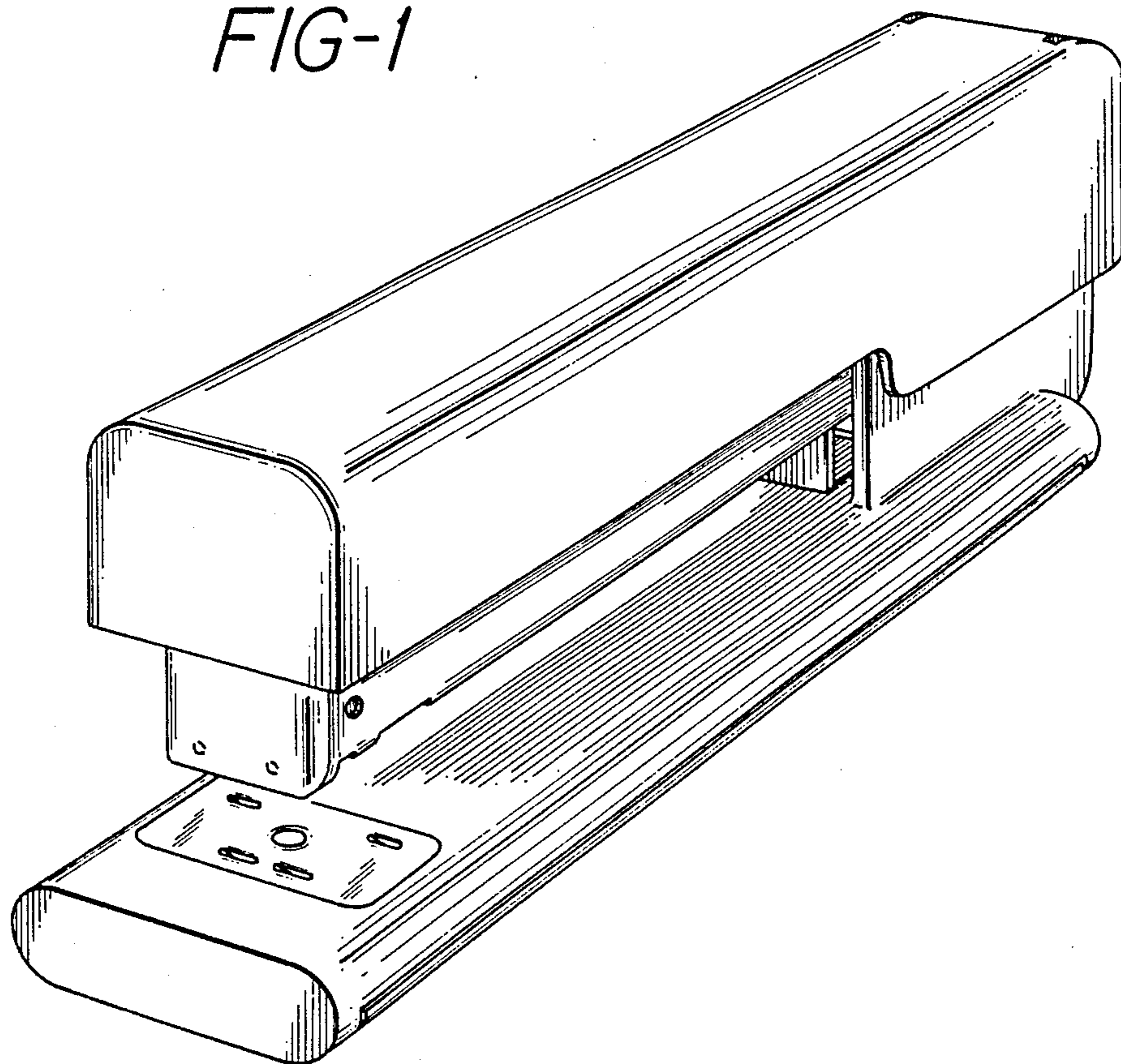


FIG-2

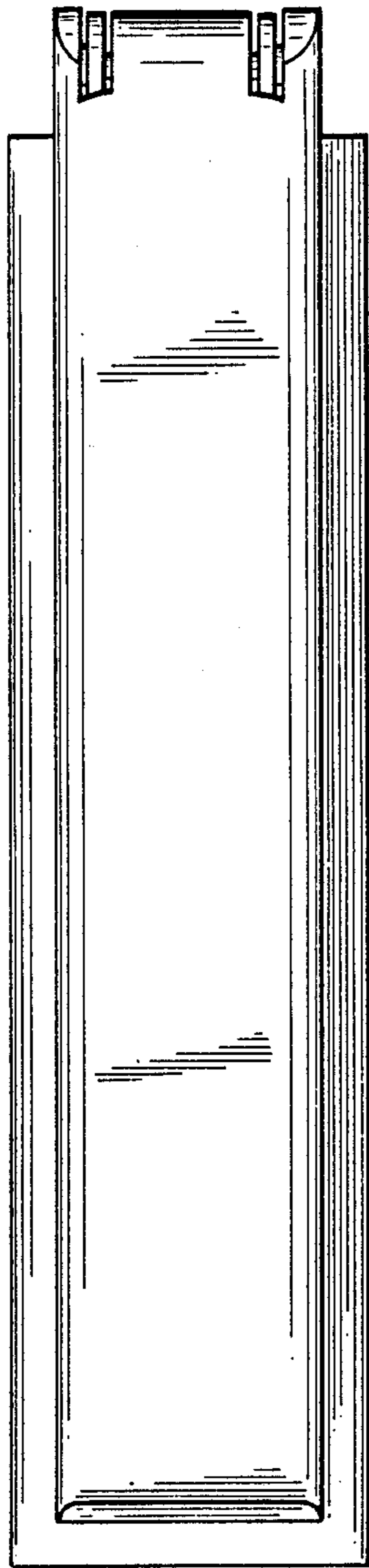
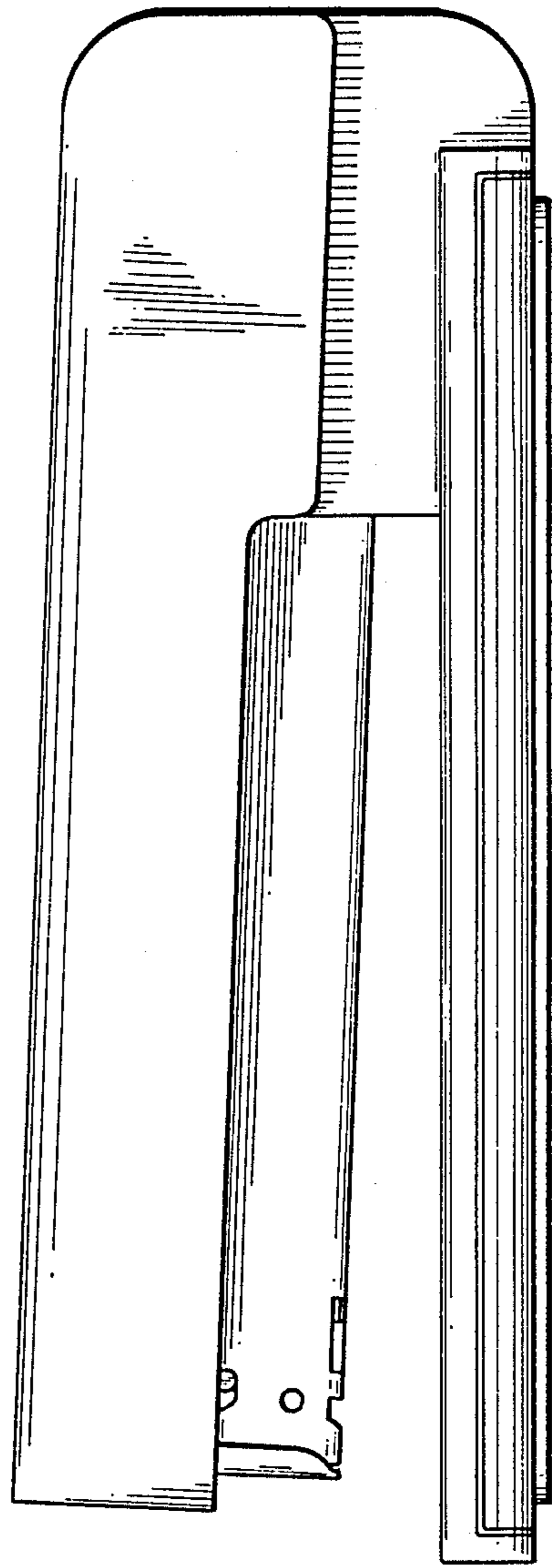


FIG-3



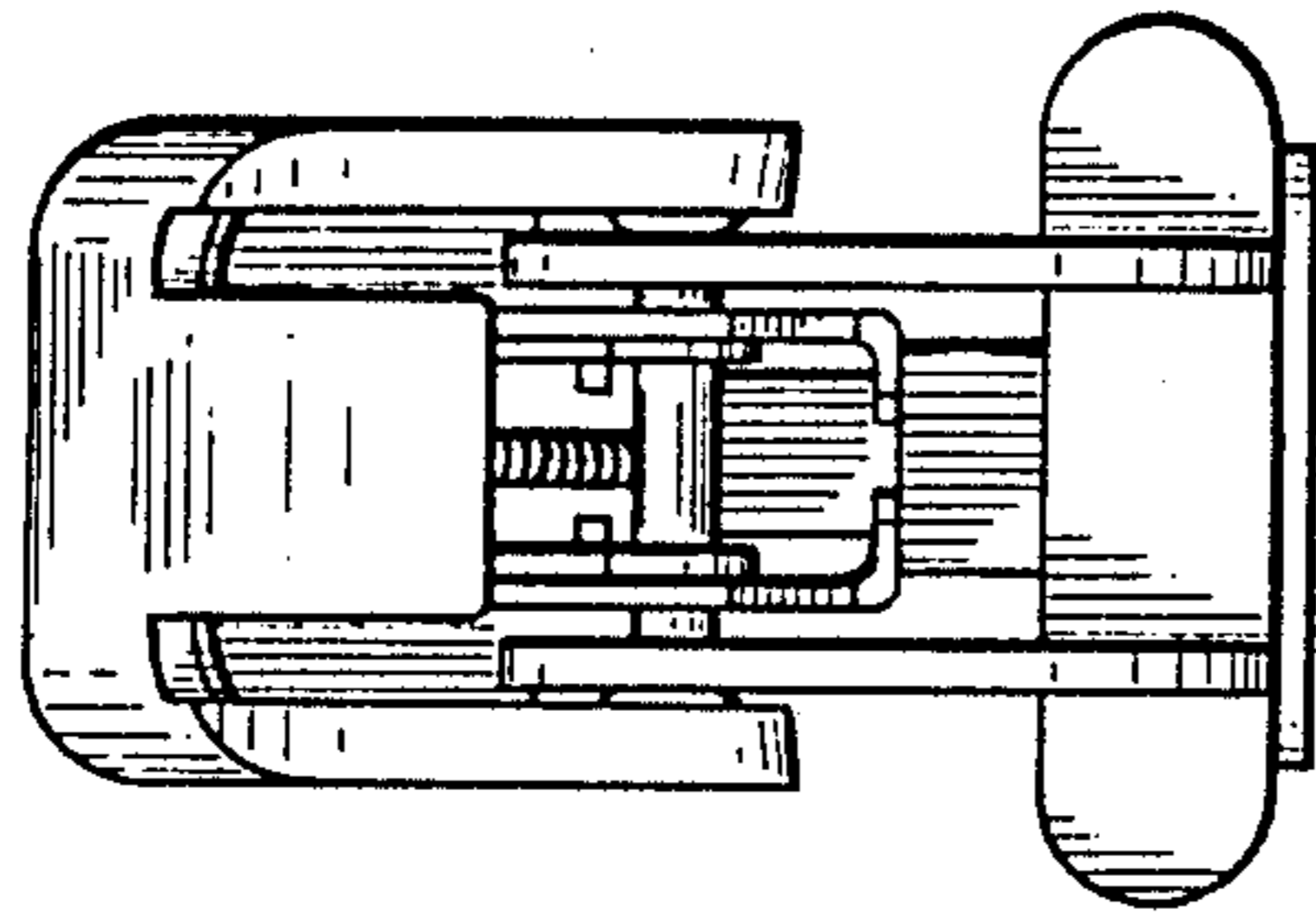


FIG-5

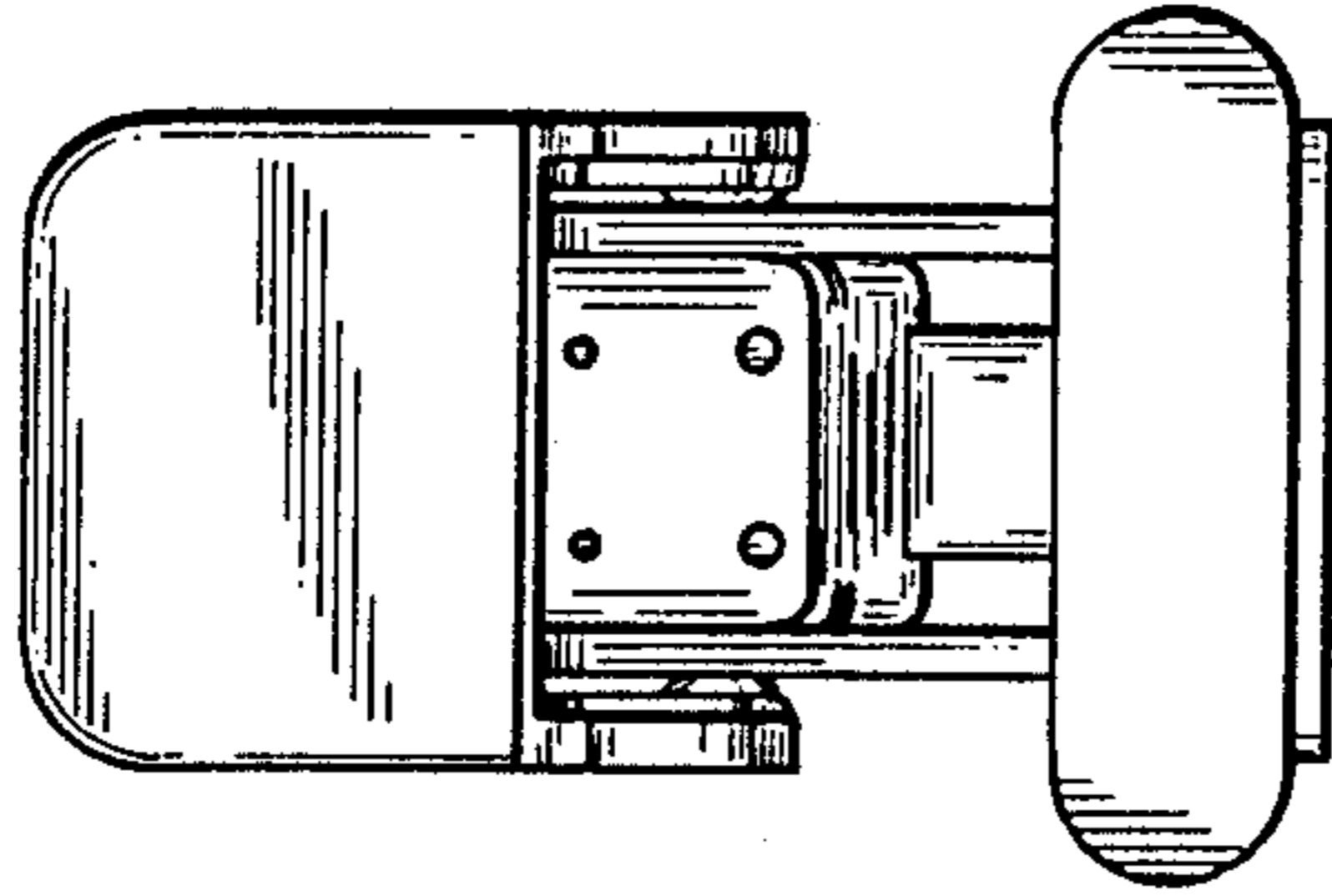


FIG-4

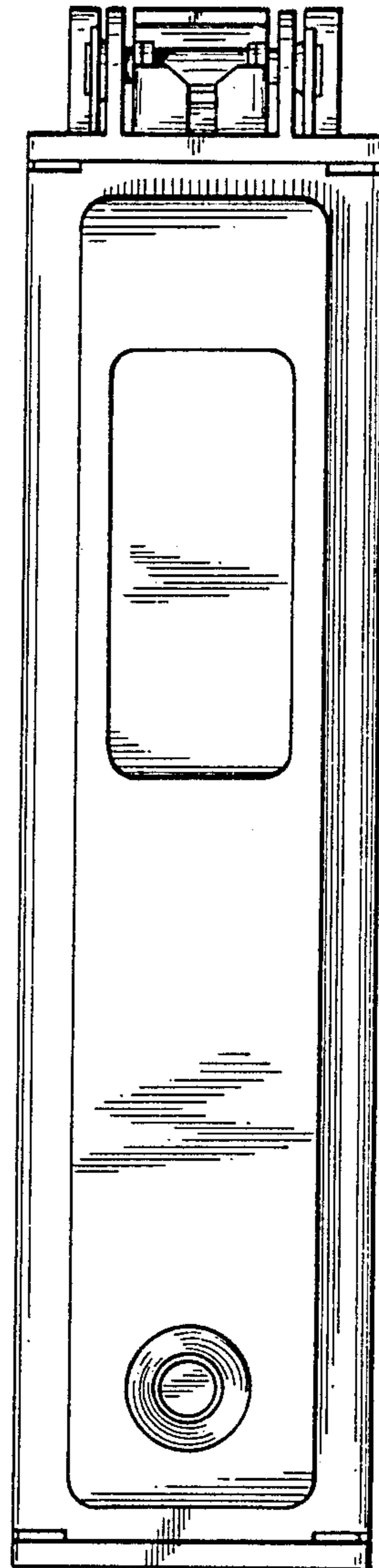


FIG-6