

[54] GLASSWARE RACK

4,700,849 10/1987 Wagner D6/514 X

[75] Inventor: Andrew J. Van Noord,
Grand Rapids, Mich.

[73] Assignee: Kent Design & Mfg., Inc., Grand
Rapids, Mich.

[**] Term: 14 Years

[21] Appl. No.: 189,582

[22] Filed: Apr. 28, 1988

[52] U.S. Cl. D6/513; D6/514;
D7/618

[58] Field of Search D6/513-514;
D7/70-71; 211/71, 74, 86, 113, 117-119, 181

[56] References Cited

U.S. PATENT DOCUMENTS

- D. 243,738 3/1977 Johnson D7/71
- D. 267,914 2/1983 Lin D6/513
- D. 269,926 8/1983 White D6/514
- 3,154,196 10/1964 Loska, Jr. et al. D7/71 X
- 3,214,031 10/1965 McCauley D7/71 X
- 4,589,556 5/1986 Peretz D7/71 X

OTHER PUBLICATIONS

Home Furnishings Daily 7/12/76, Section 2, p. 53,
Wine Rack.

Primary Examiner—Wallace R. Burke
Assistant Examiner—Brian N. Vinson
Attorney, Agent, or Firm—Varnum, Riddering, Schmidt
& Howlett

[57] CLAIM

The ornamental design for a glassware rack, as shown
and described.

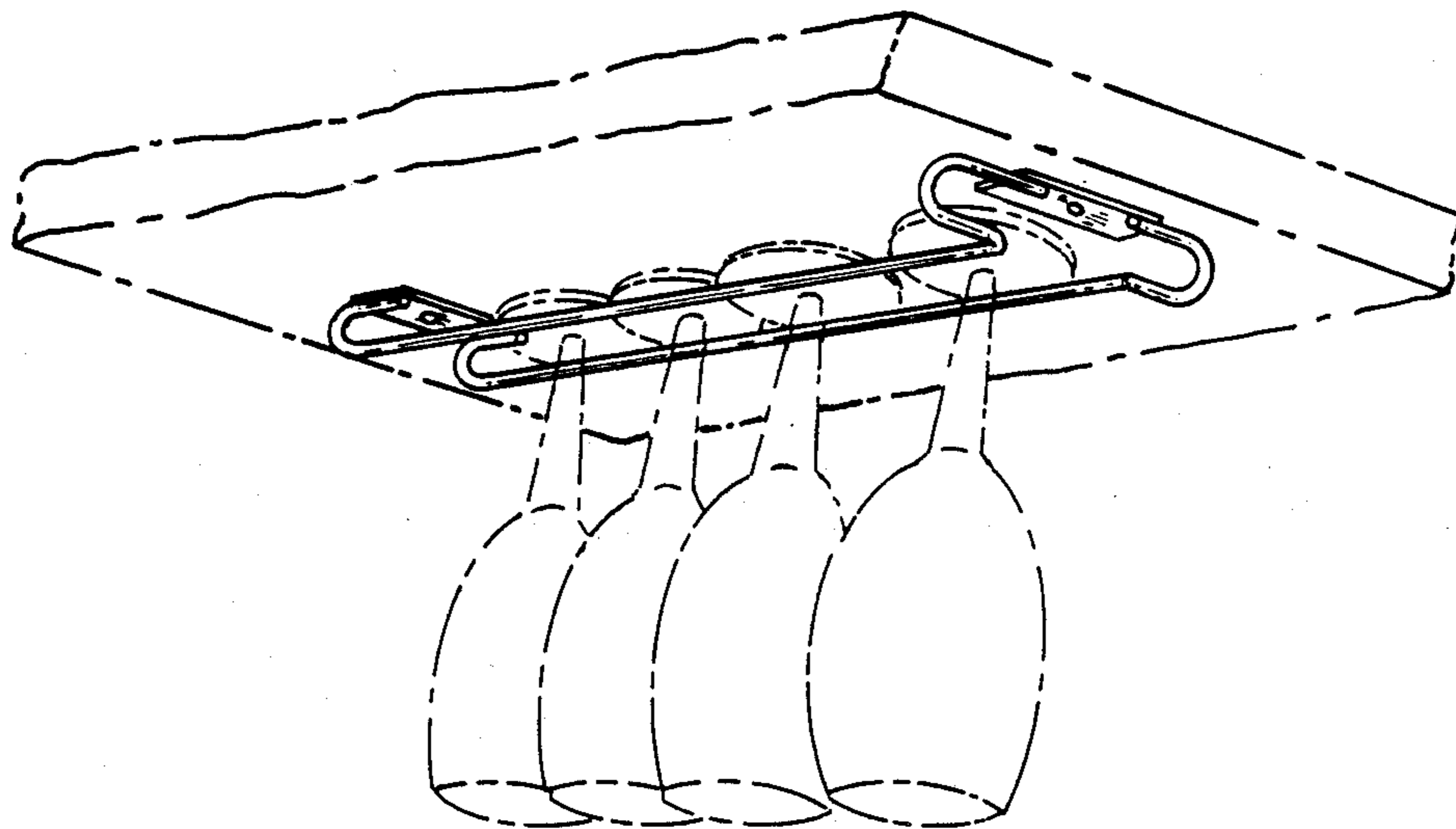
DESCRIPTION

FIG. 1 is a bottom, front and left side perspective view
of a glassware rack showing my new design, the broken
line disclosure of glassware and a portion of a shelf
being for illustrative purposes only and forming no part
of the claimed design;

FIG. 2 is a left side elevational view thereof, the undis-
closed right side being a mirror image of that shown;

FIG. 3 is a rear elevational view thereof; and

FIG. 4 is a top plan view thereof.



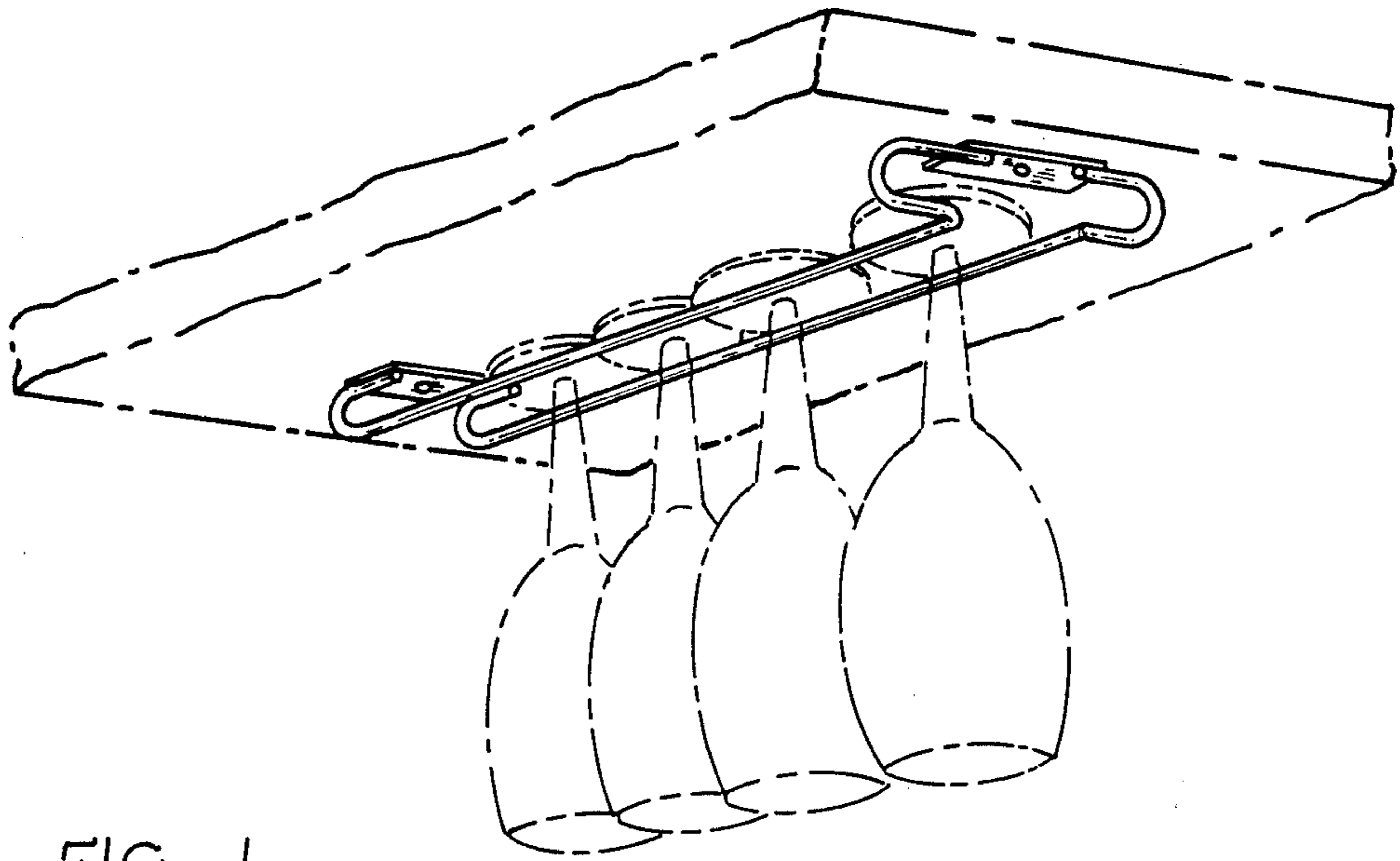


FIG. 1

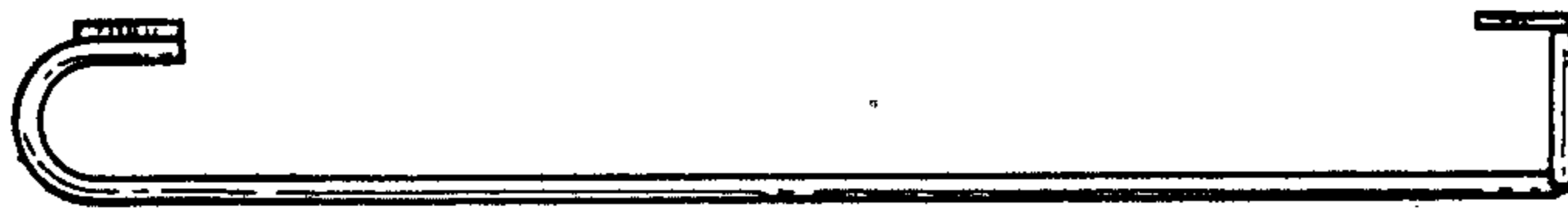


FIG. 2

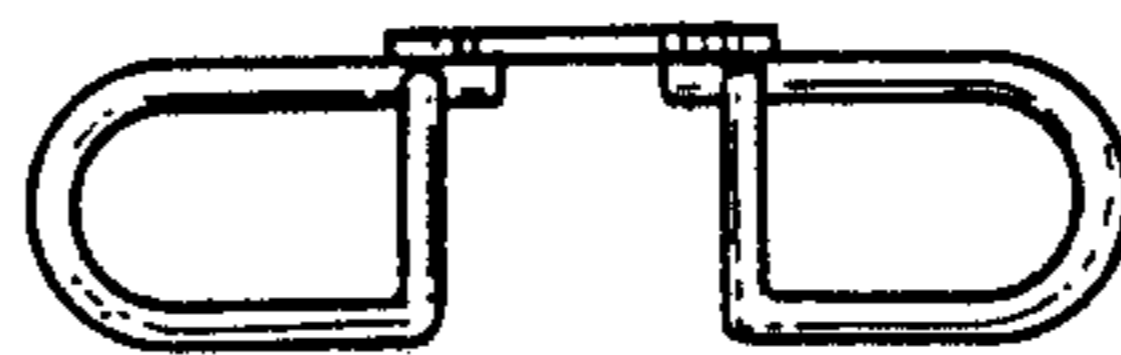


FIG. 3

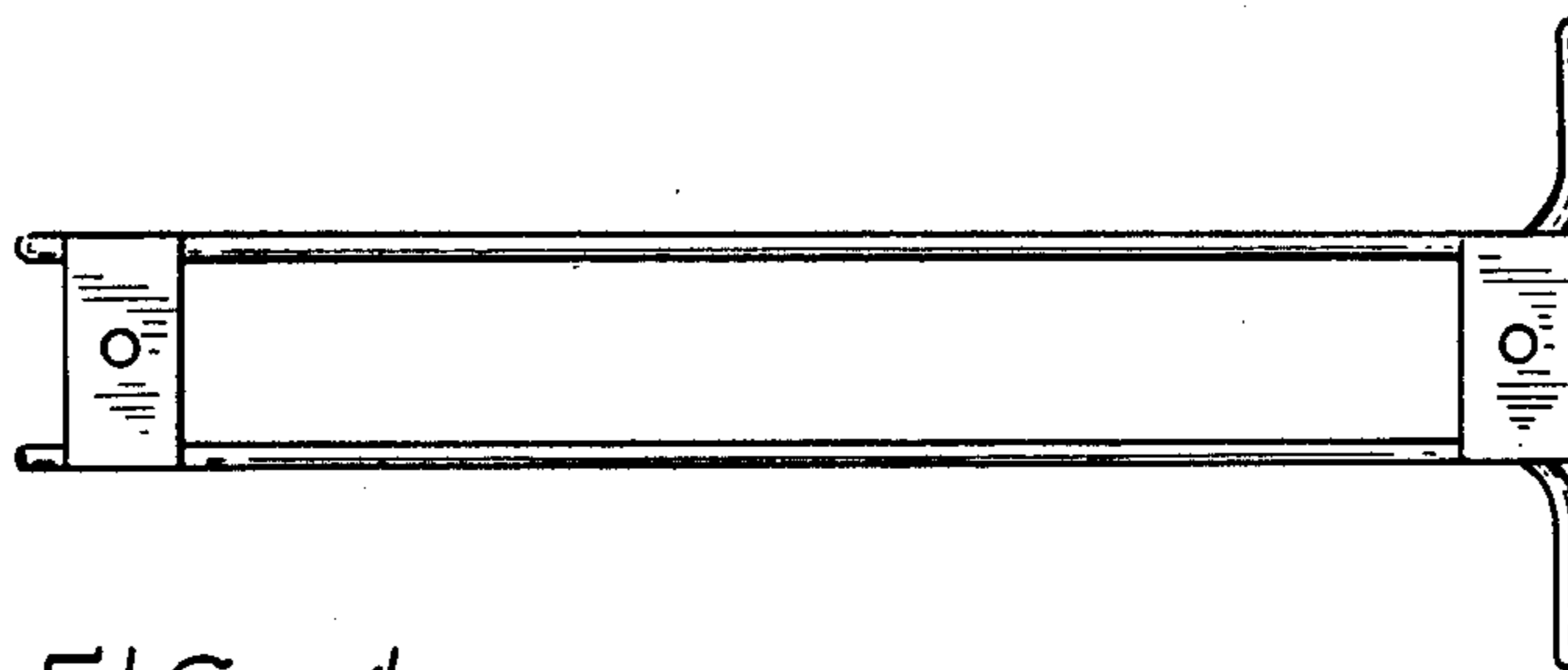


FIG. 4