

[54] SHELVING FRAME OR SIMILAR ARTICLE

[76] Inventor: John Ewenson, 15 Nevana Street, Scoresby, Victoria, Australia

[**] Term: 14 Years

[21] Appl. No.: 826,578

[22] Filed: Feb. 6, 1986

[52] U.S. Cl. D6/491

[58] Field of Search D6/479, 491; D25/47, D25/52, 53, 119, 124, 125

[56] References Cited

U.S. PATENT DOCUMENTS

- 3,345,794 10/1967 Proud D25/52 X
- 4,072,432 2/1978 Levy D6/479 X
- 4,112,853 9/1978 Tisbo et al. D6/479 X

OTHER PUBLICATIONS

Reynolds Metals Co., Catalog for 1957, p. 64, FIG. 83, Corner Post, Desk.

Primary Examiner—C. H. Vales-Lado
Attorney, Agent, or Firm—Burns, Doane, Swecker & Mathis

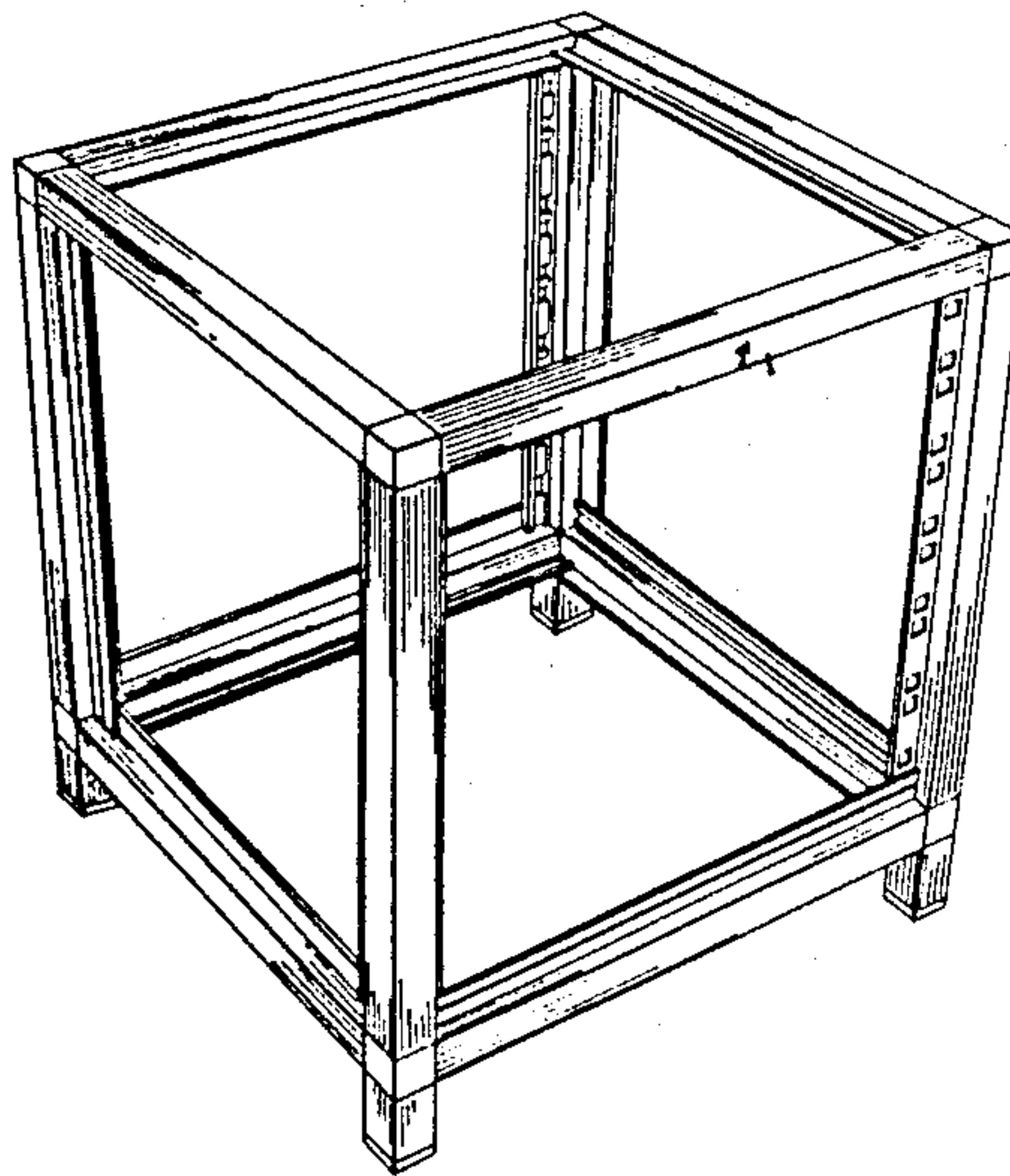
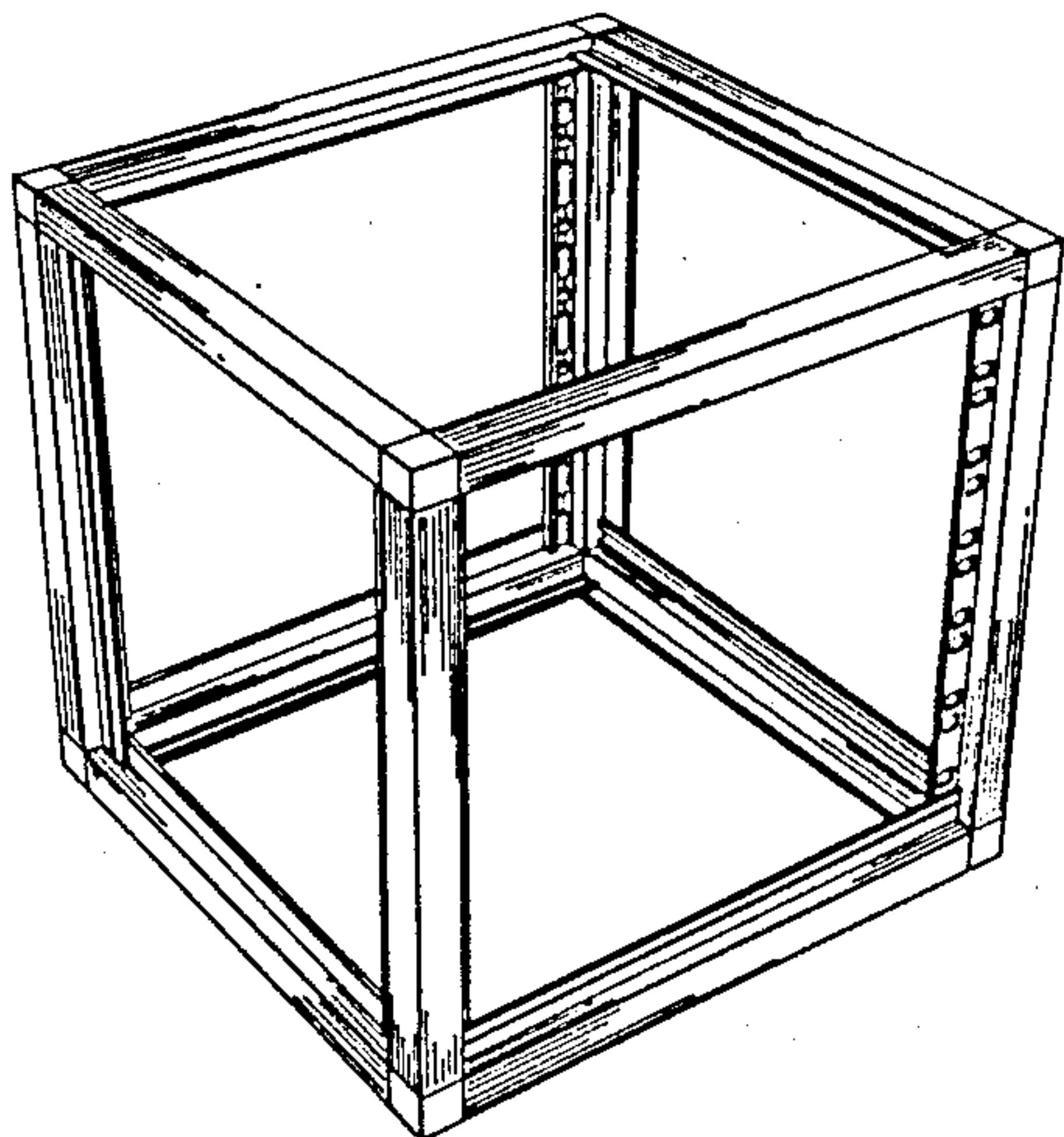
[57] CLAIM

The ornamental design for a shelving frame or similar article, as shown.

DESCRIPTION

FIG. 1 is a perspective view of a shelving frame or similar article showing my new design;
 FIG. 2 is an enlarged fragmentary elevational view of a corner of FIG. 1;
 FIG. 3 is a cross-sectional view taken along line 3—3 of FIG. 2;
 FIG. 4 is an enlarged fragmentary perspective view of FIG. 2;
 FIG. 5 is a top plan view thereof;
 FIG. 6 is a front elevational view of a modified form of FIG. 1;

FIG. 7 is a perspective view of a second embodiment of the shelving frame or similar article shown in FIG. 1;
 FIG. 8 is a front elevational view of a modified form of FIG. 7;
 FIG. 9 is a perspective view of a third embodiment of the shelving frame or similar article shown in FIG. 1;
 FIG. 10 is a modified form of FIG. 9;
 FIG. 11 is a perspective view of a fourth embodiment of the shelving frame or similar article shown in FIG. 1;
 FIG. 12 is a top plan view thereof;
 FIG. 13 is an end elevational view thereof;
 FIG. 14 is a front elevational view thereof;
 FIG. 15 is a front elevational view of a modified form of FIG. 11;
 FIG. 16 is a perspective view of a fifth embodiment of the shelving frame or similar article shown in FIG. 1;
 FIG. 17 is an end elevational view thereof;
 FIG. 18 is a front elevational view thereof;
 FIG. 19 is a front elevational view of a modified form of FIG. 16;
 FIG. 20 is a perspective view of a sixth embodiment of the shelving frame or similar article shown in FIG. 1;
 FIG. 21 is an end elevational view thereof;
 FIG. 22 is a front elevational view thereof;
 FIG. 23 is a front elevational view of a modified form of FIG. 20;
 FIG. 24 is a perspective view of a seventh embodiment of the shelving frame or similar article shown in FIG. 1;
 FIG. 25 is a top plan view thereof;
 FIG. 26 is an end elevational view thereof;
 FIG. 27 is a front elevational view thereof;
 FIG. 28 is a front elevational view of a modified form of FIG. 24;
 FIG. 29 is a perspective view of an eighth embodiment of the shelving frame or similar article shown in FIG. 1;
 FIG. 30 is an end elevational view thereof;
 FIG. 31 is a front elevational view thereof;
 FIG. 32 is a front elevational view of a modified form of FIG. 29;
 FIG. 33 is a perspective view of a ninth embodiment of the shelving frame or similar article shown in FIG. 1;
 FIG. 34 is an end elevational view thereof;
 FIG. 35 is a front elevational view thereof; and
 FIG. 36 is a front elevational view of a modified form of FIG. 33.



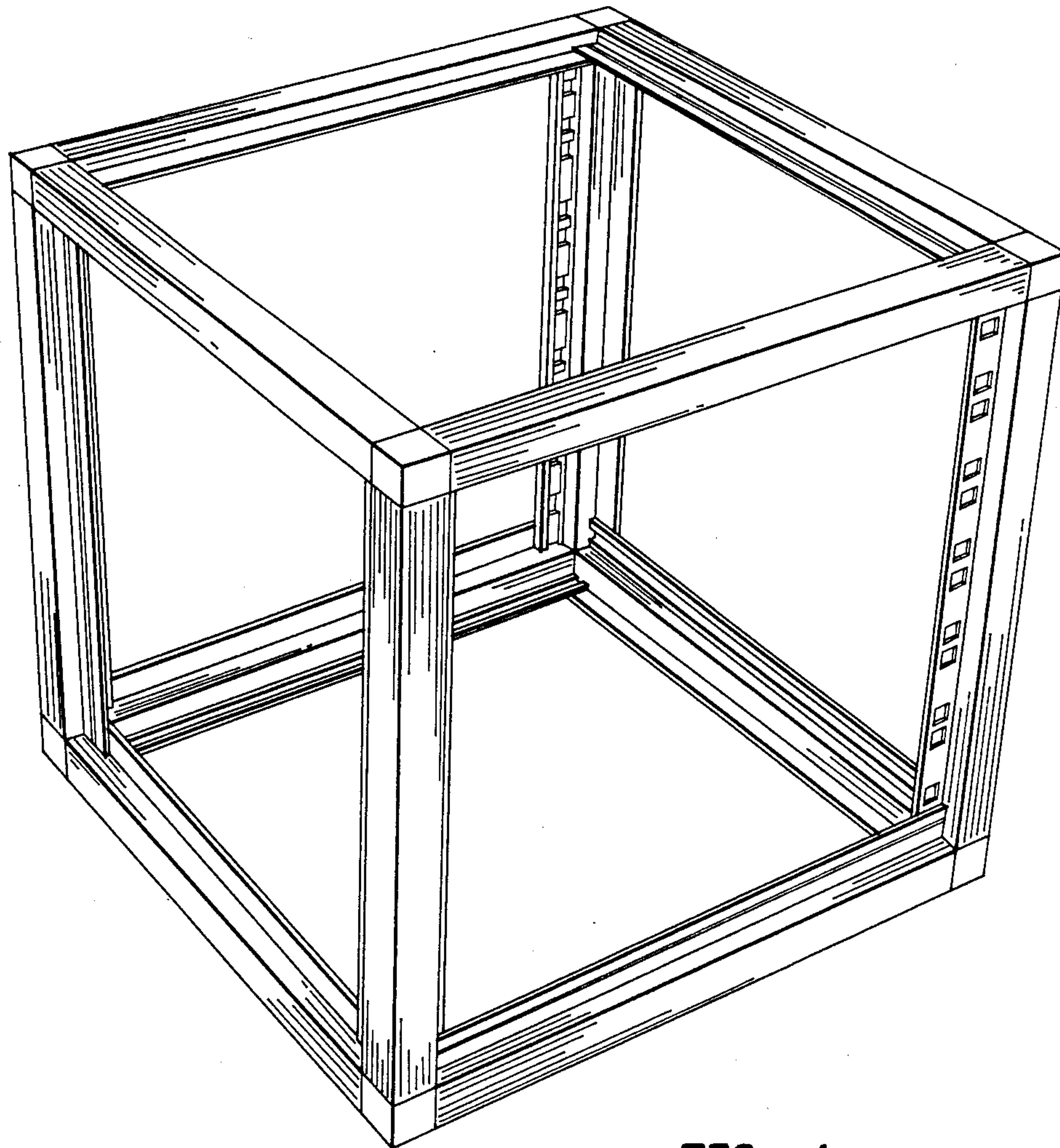
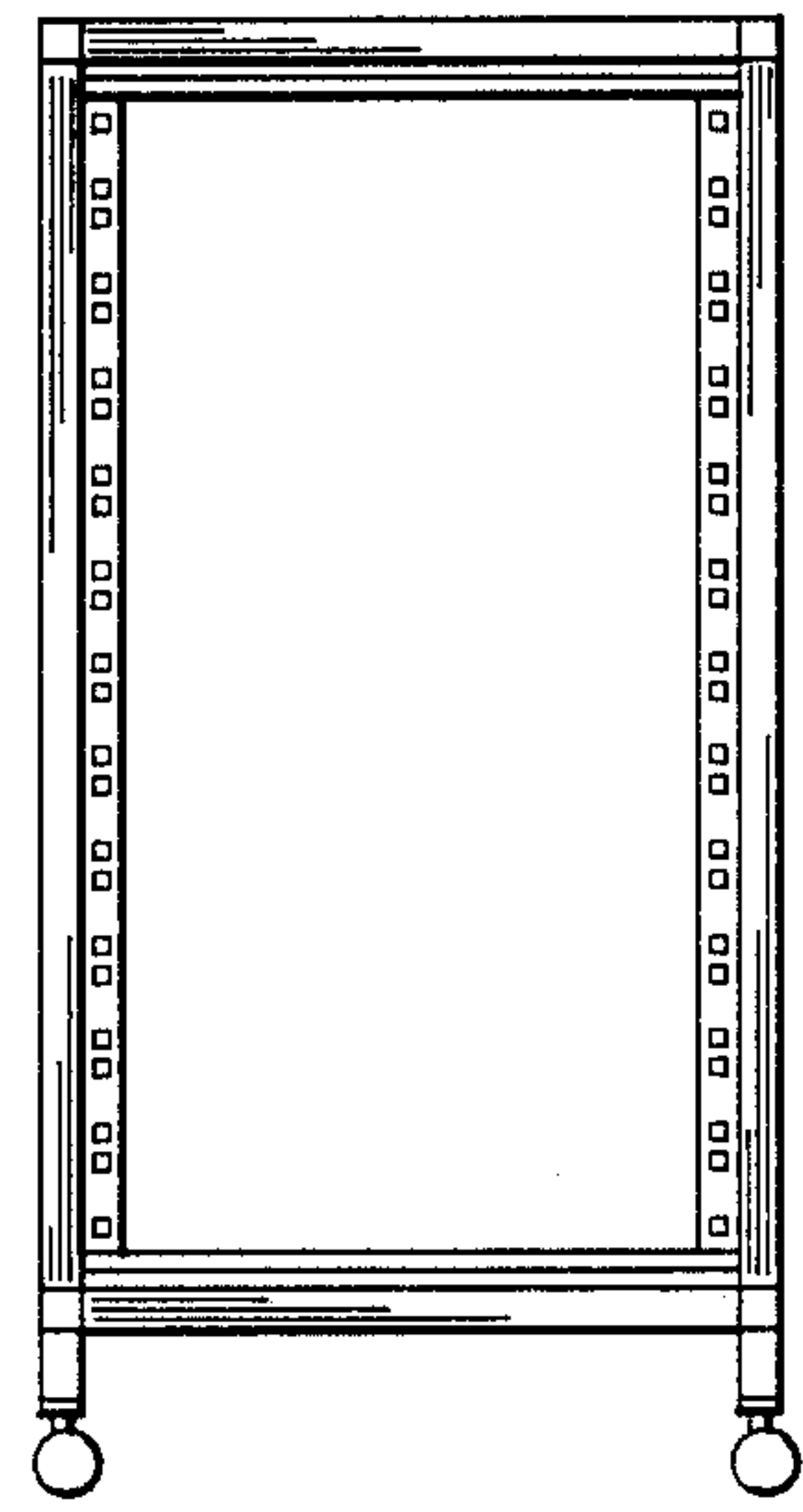
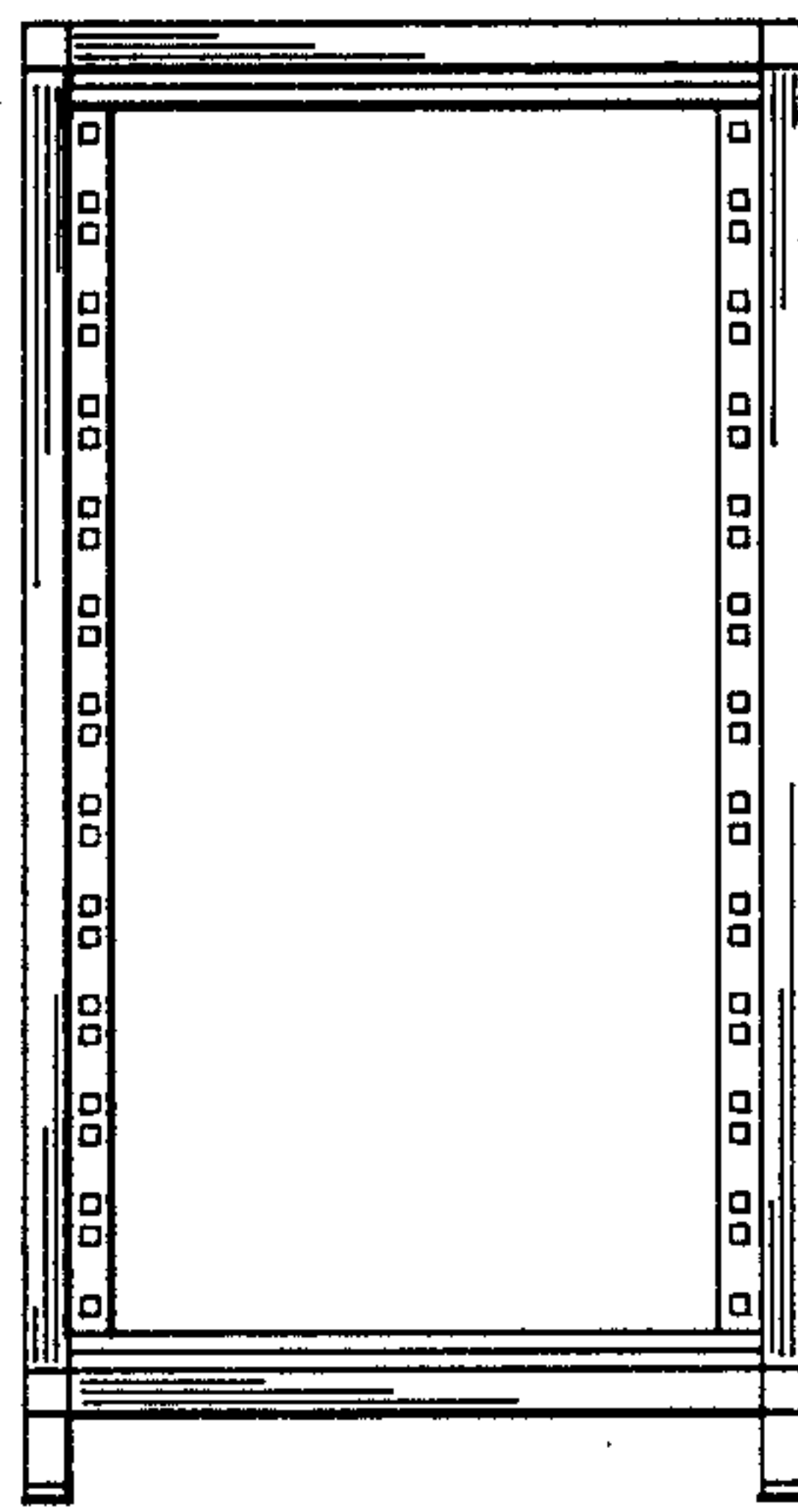
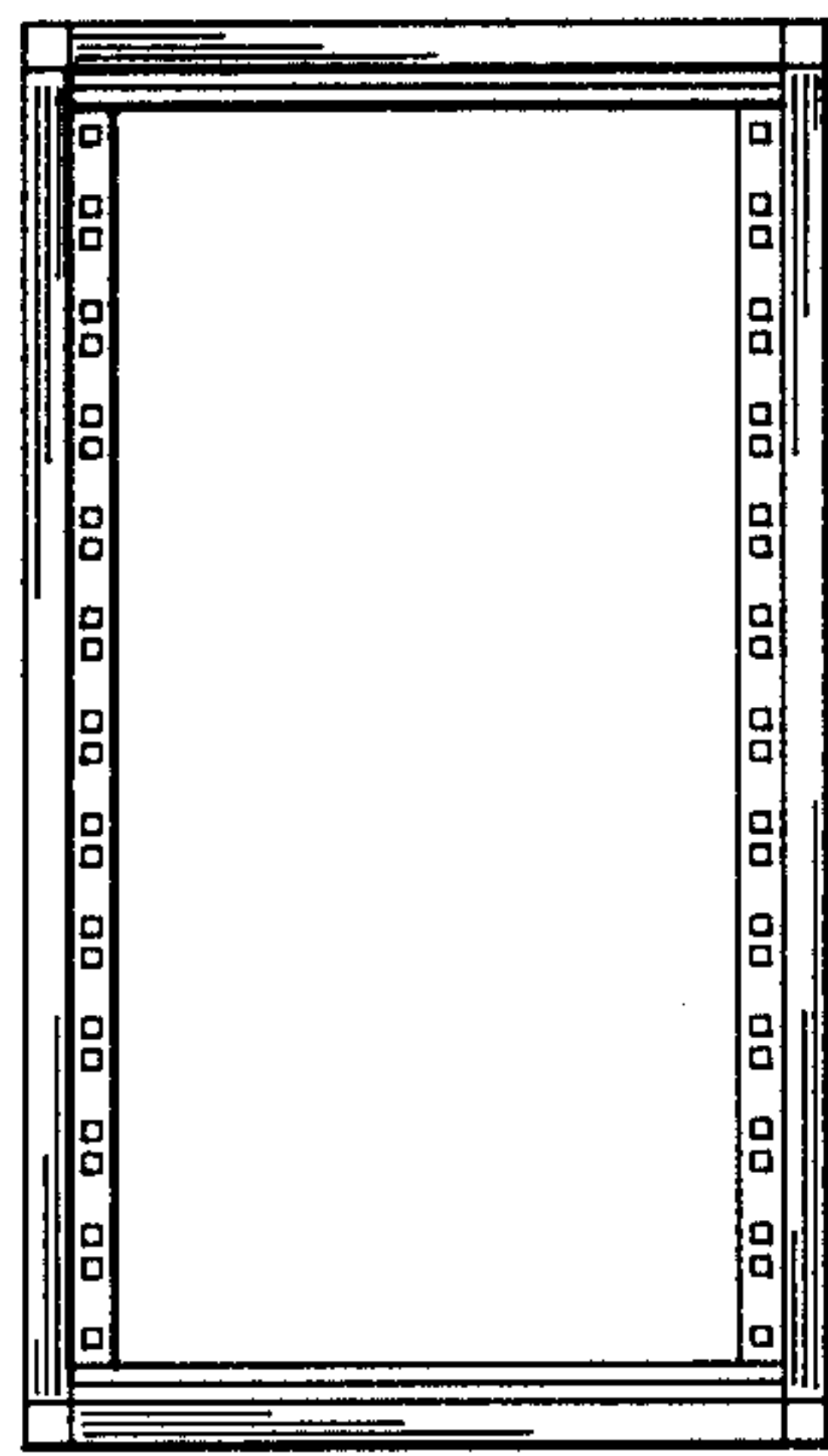
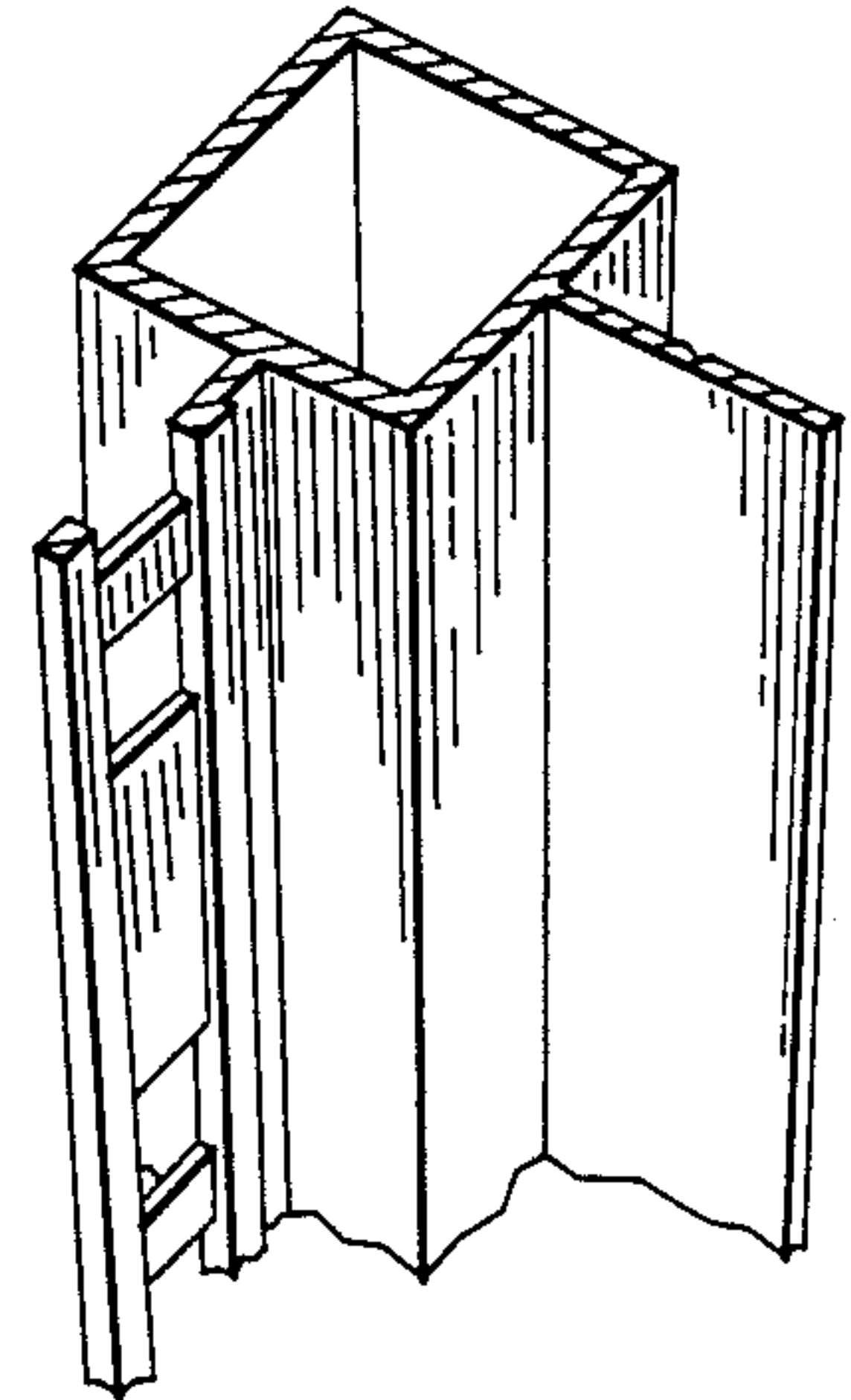
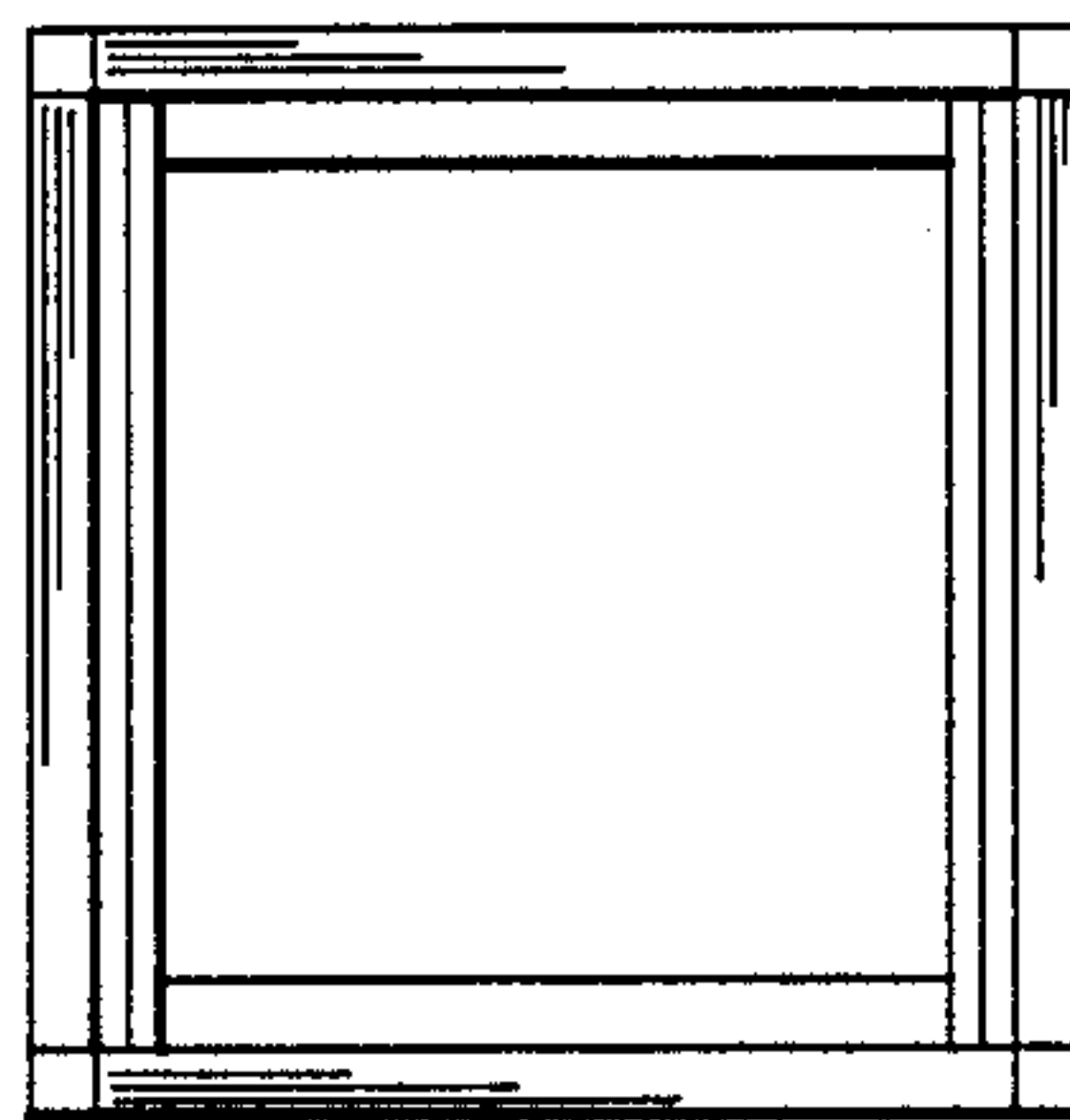
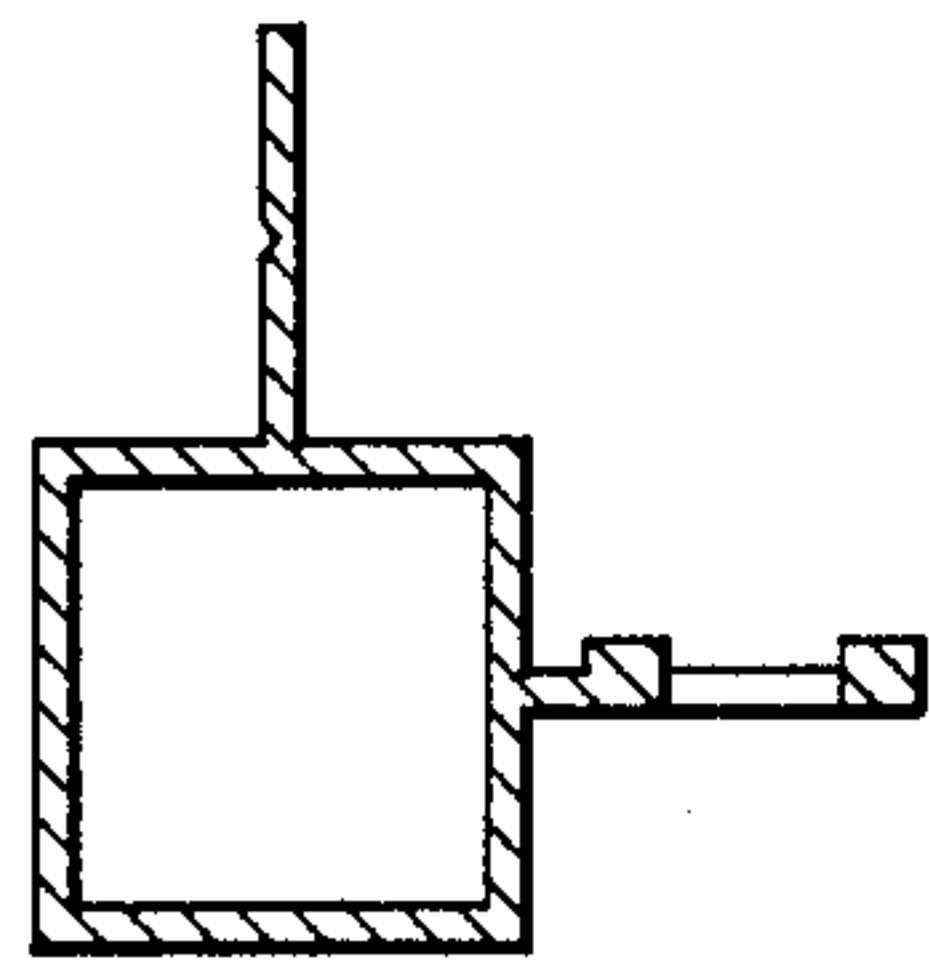
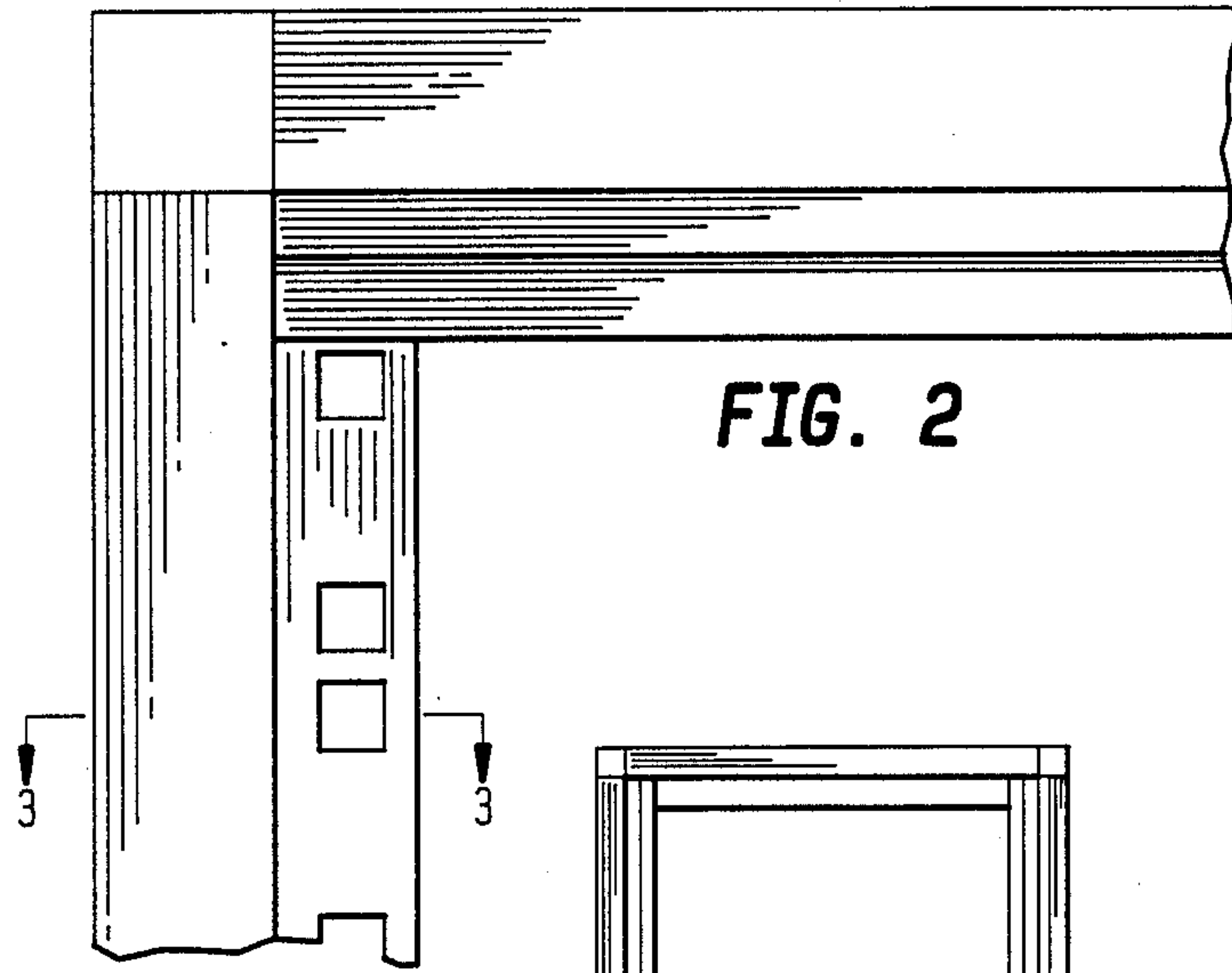


FIG. 1



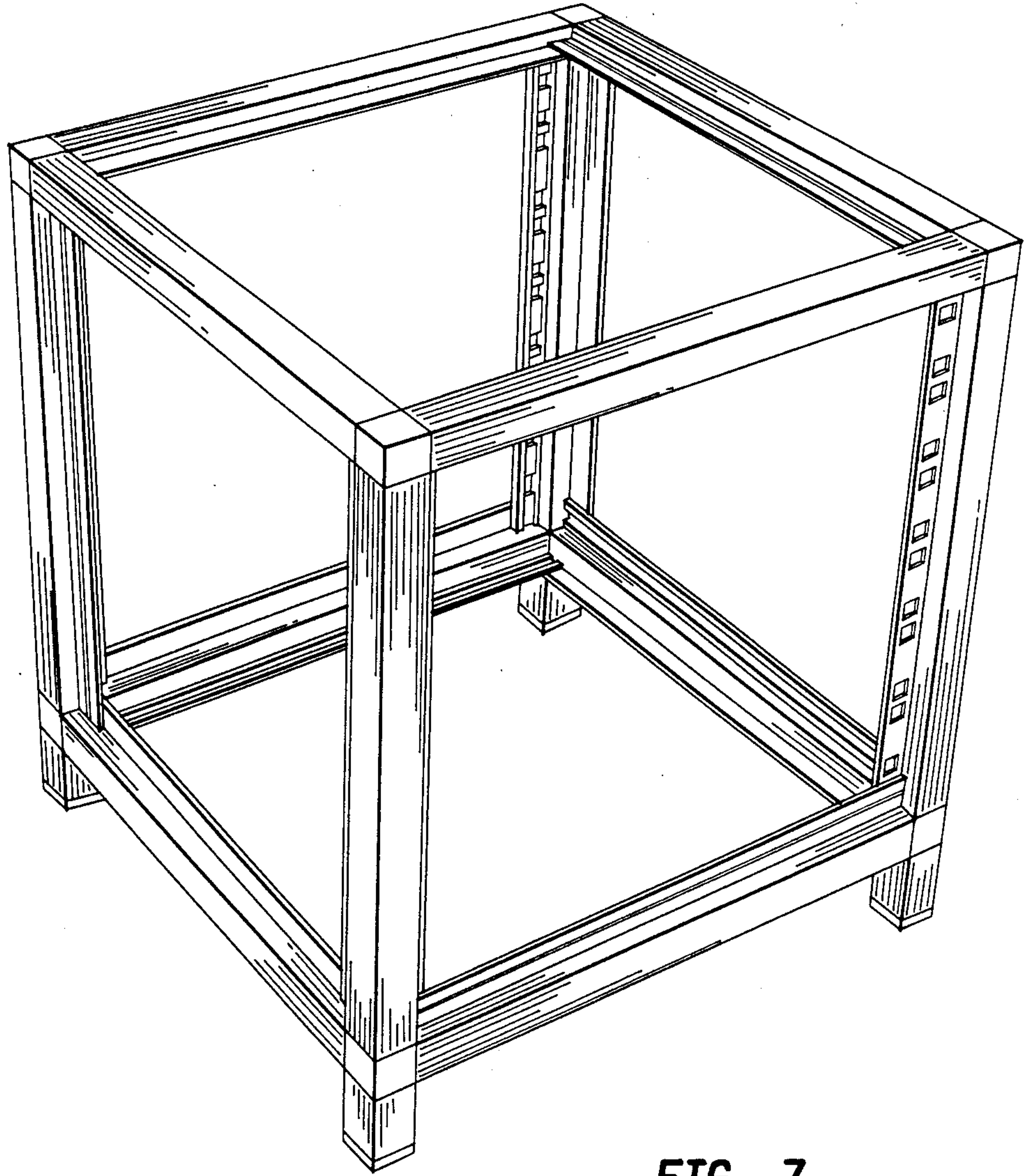


FIG. 7

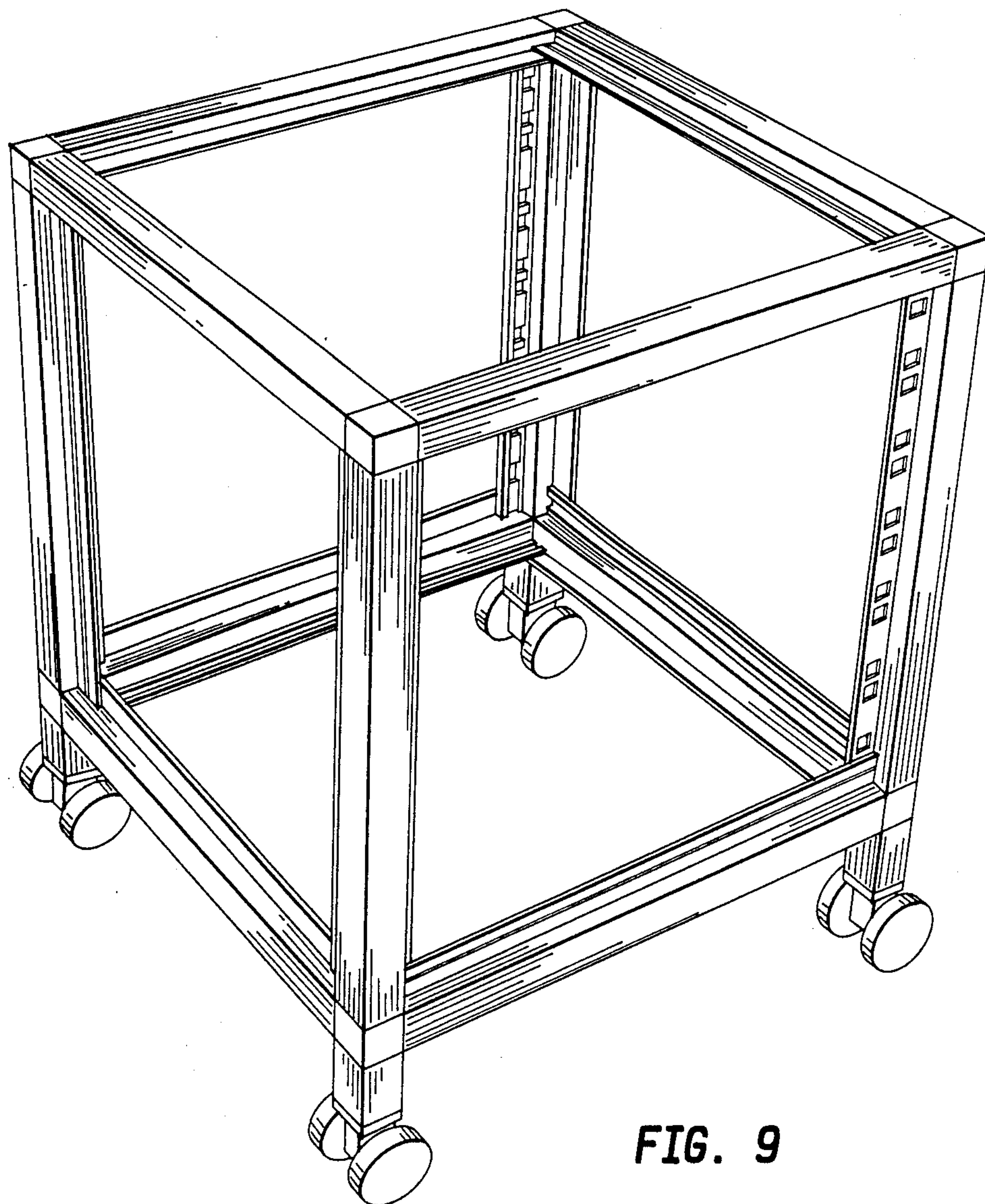


FIG. 9

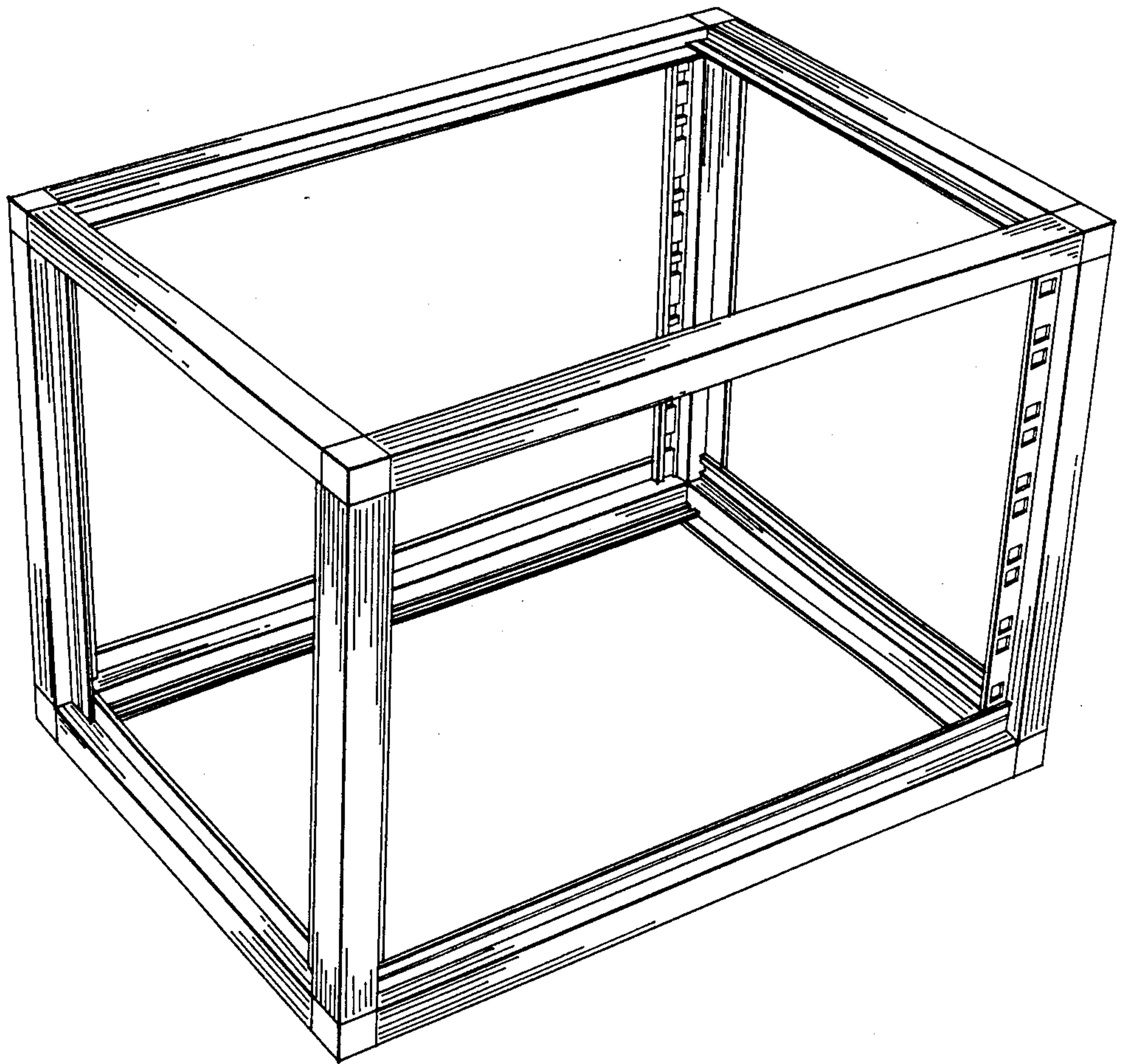


FIG. 11

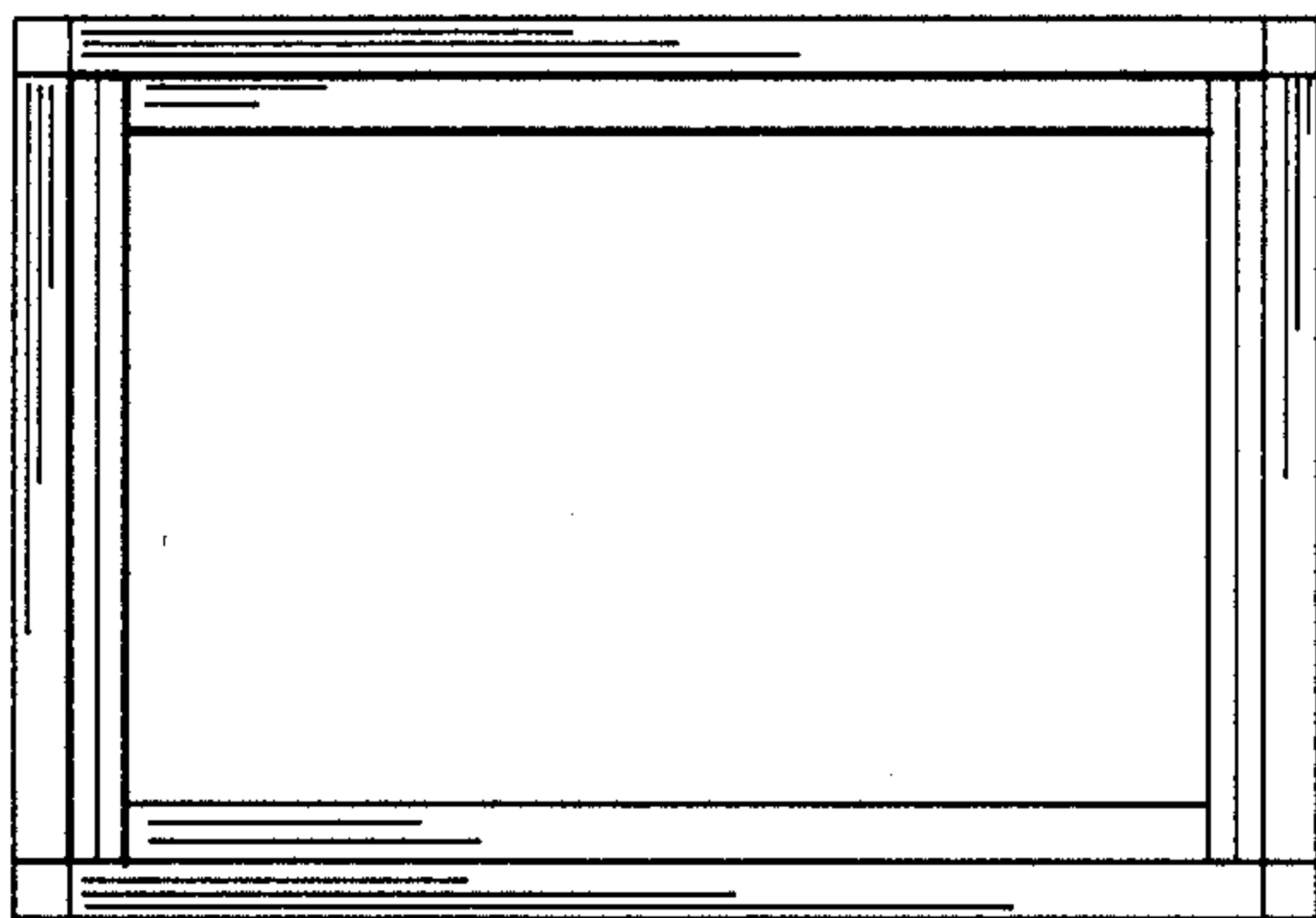


FIG. 12

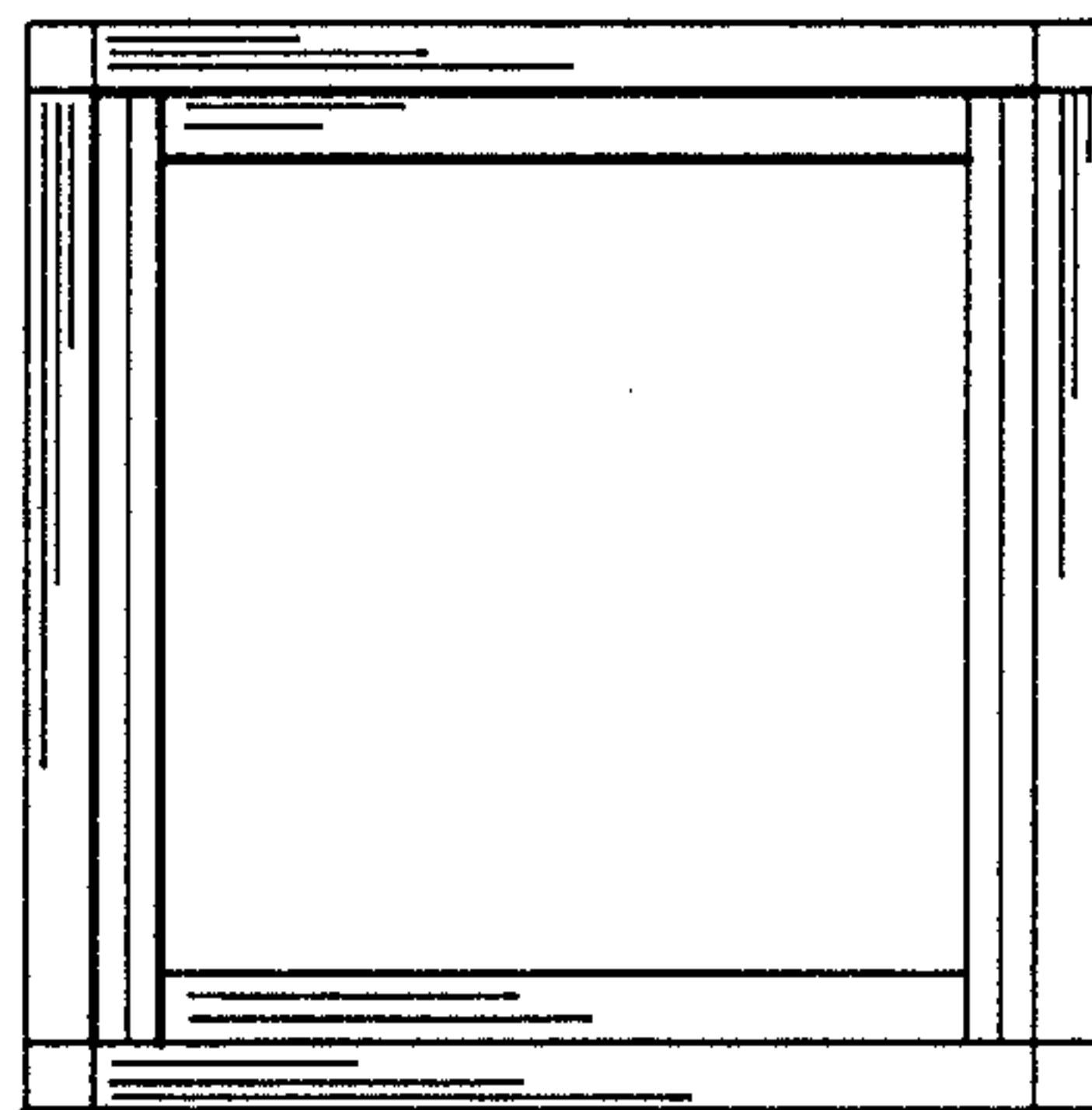


FIG. 13

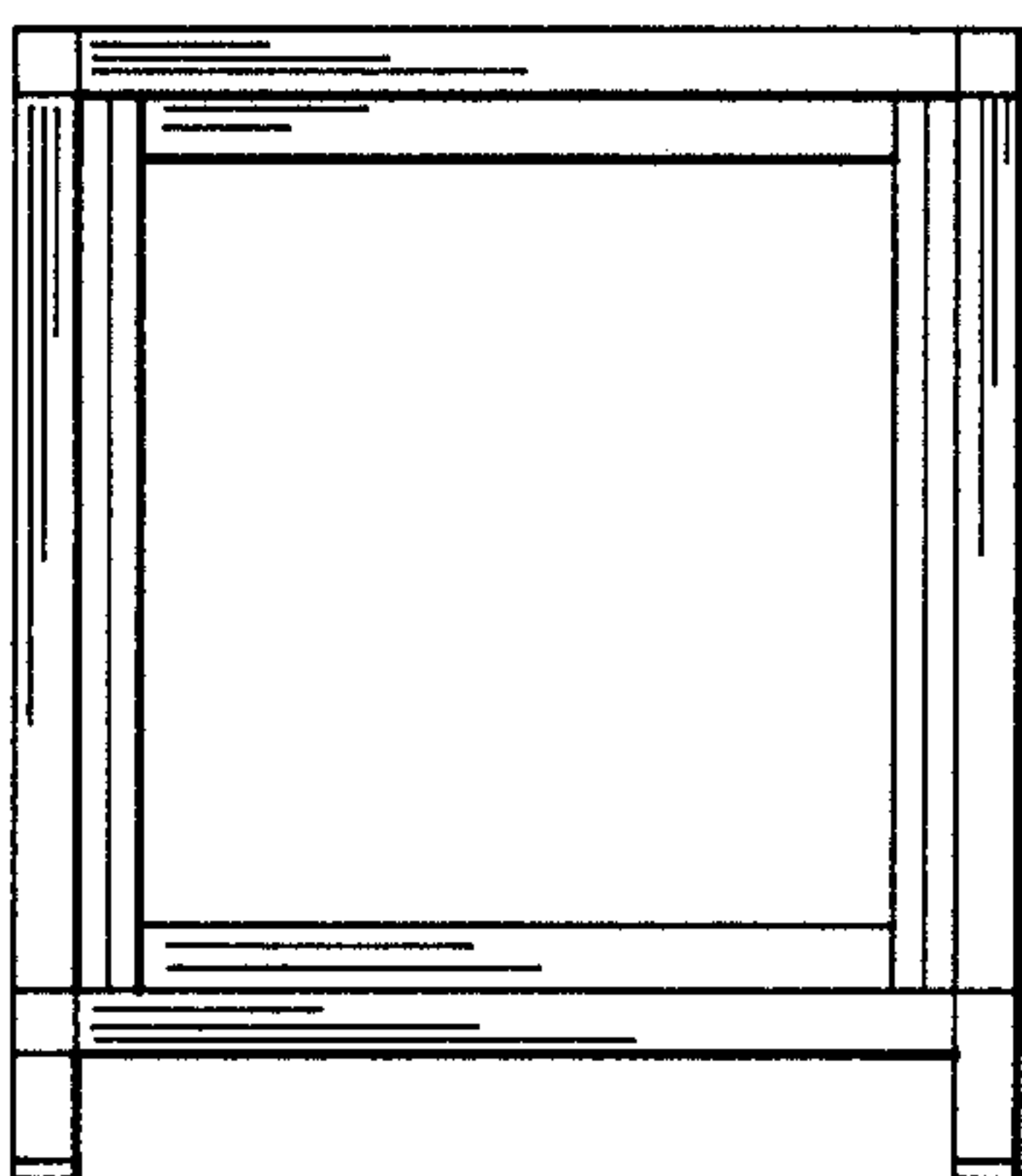


FIG. 17

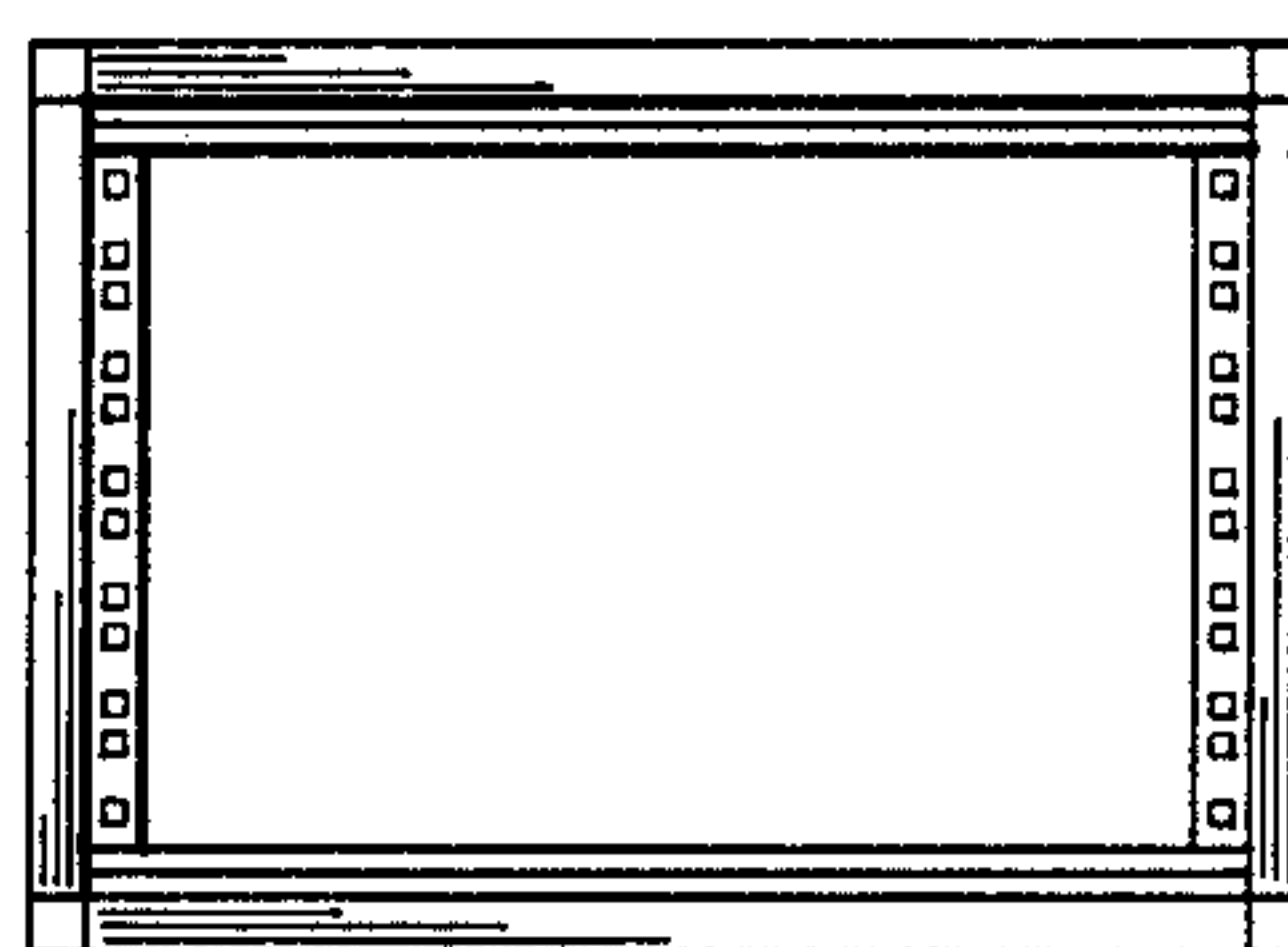


FIG. 14

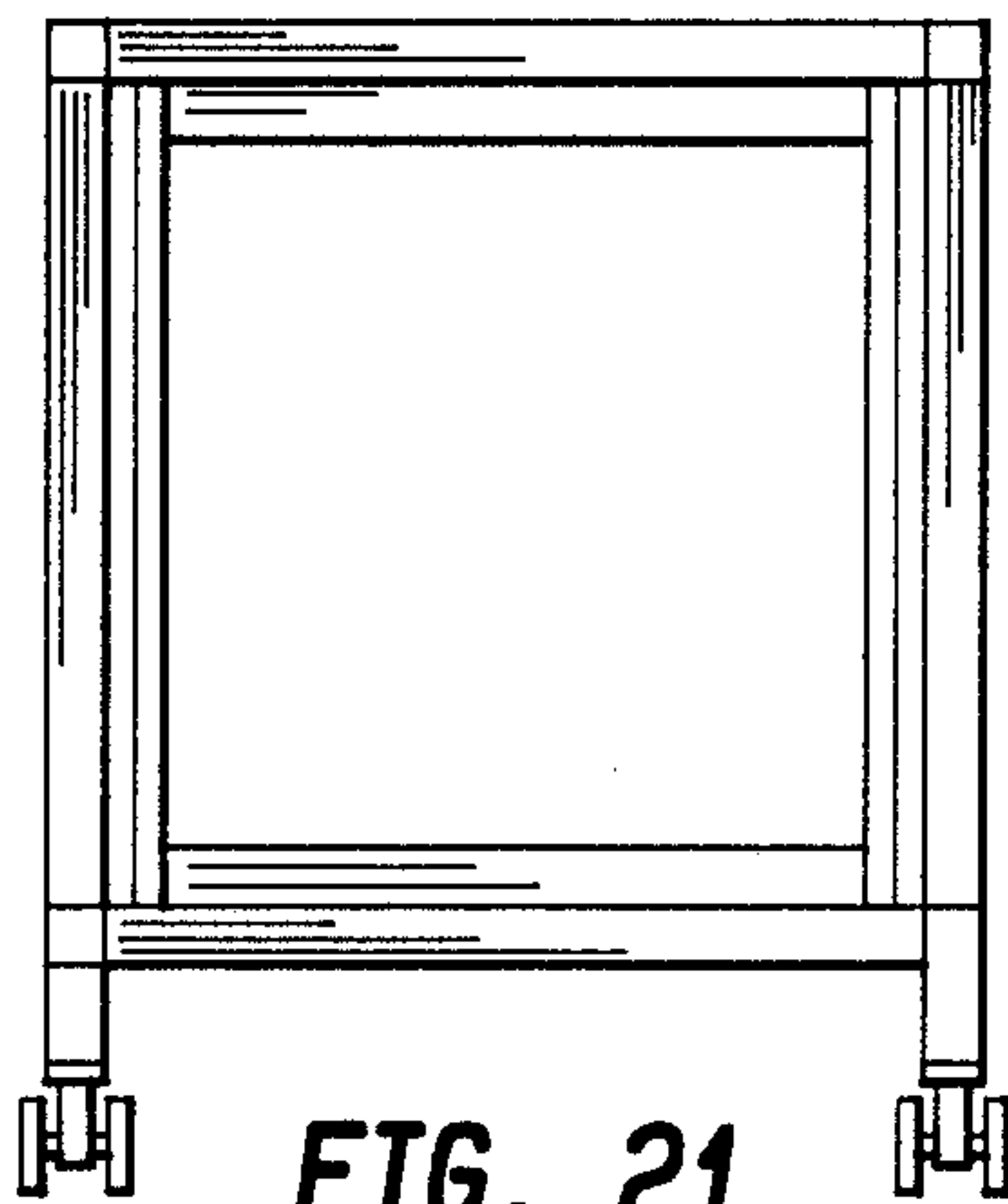


FIG. 21

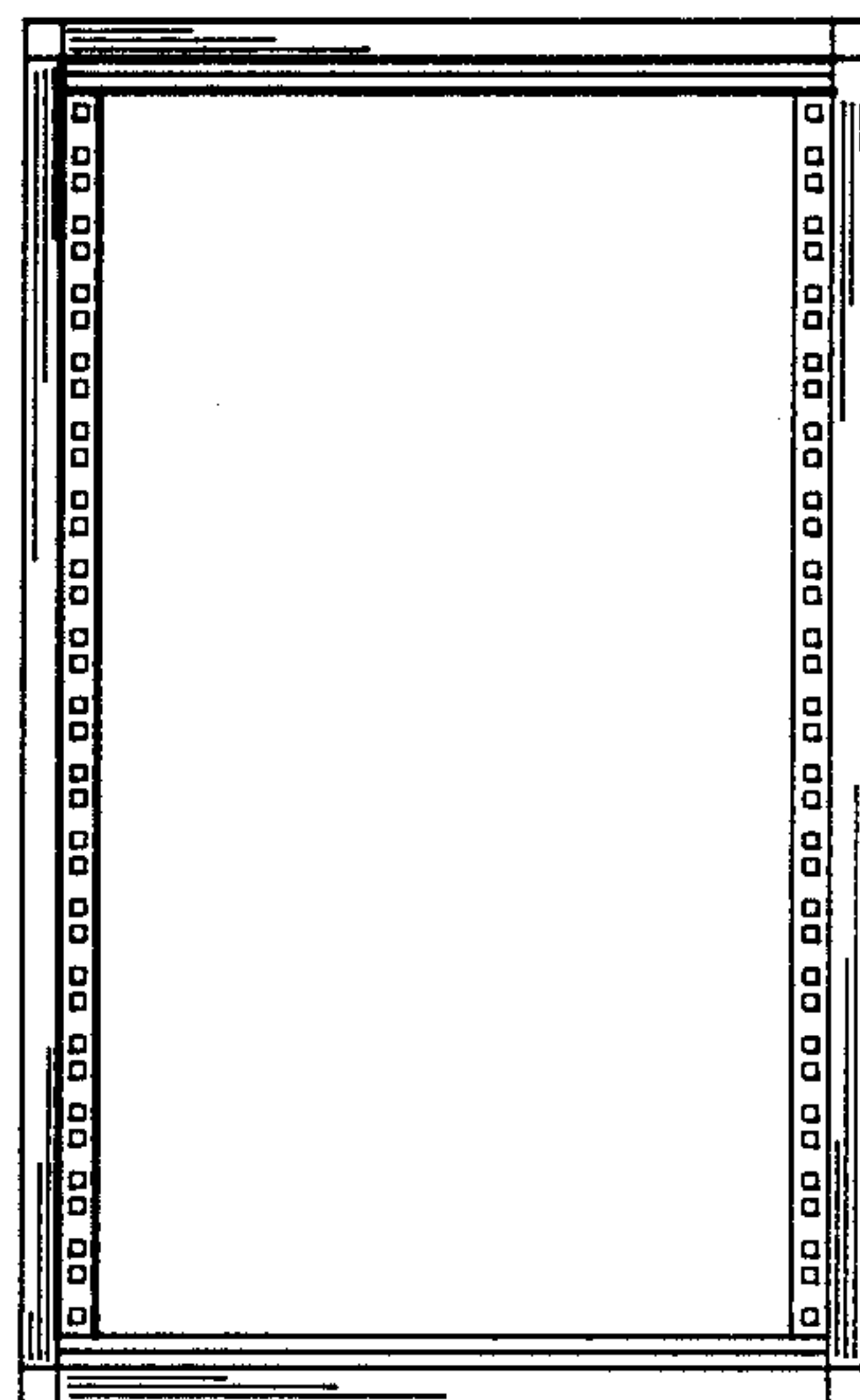


FIG. 15

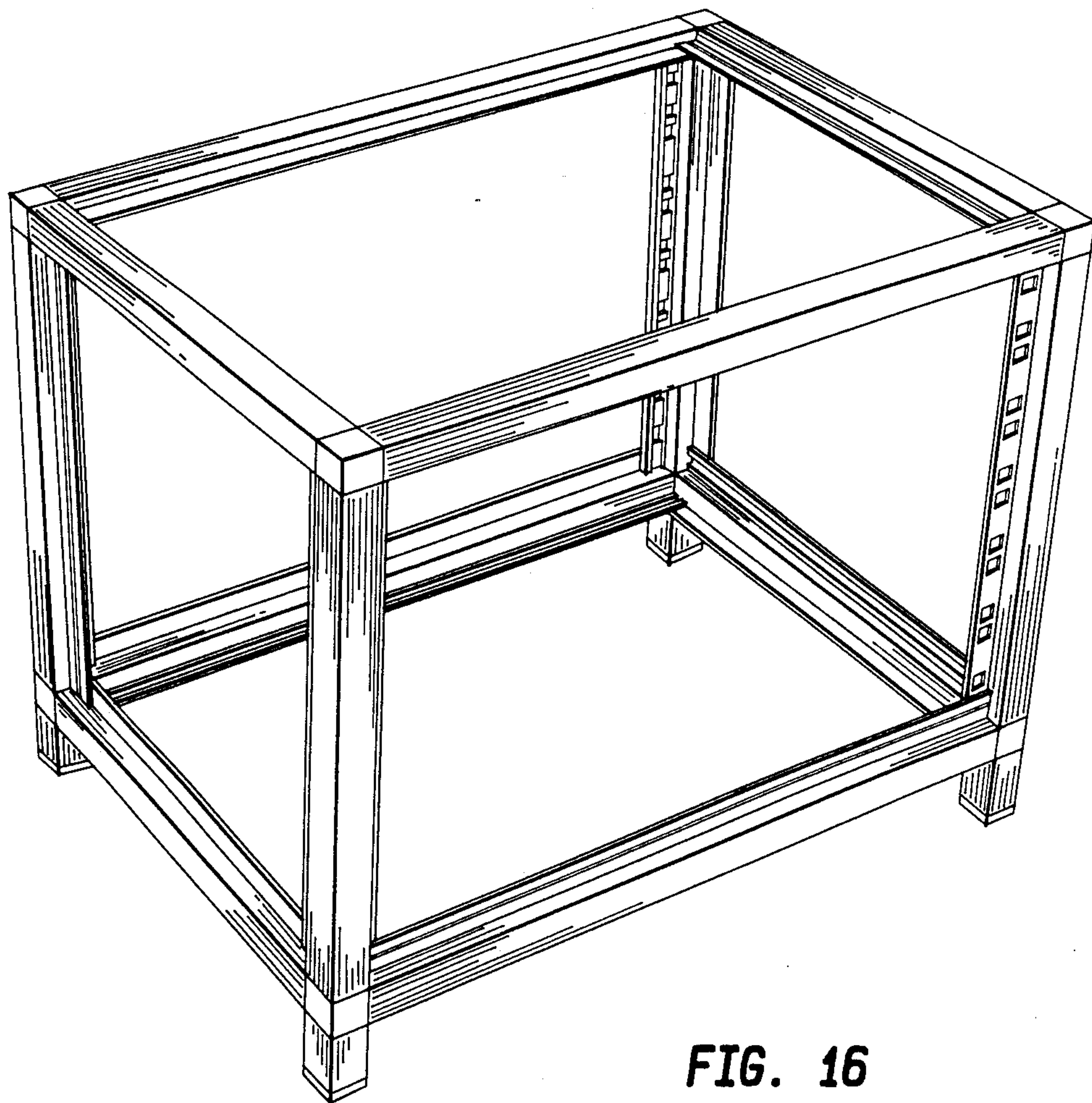


FIG. 16

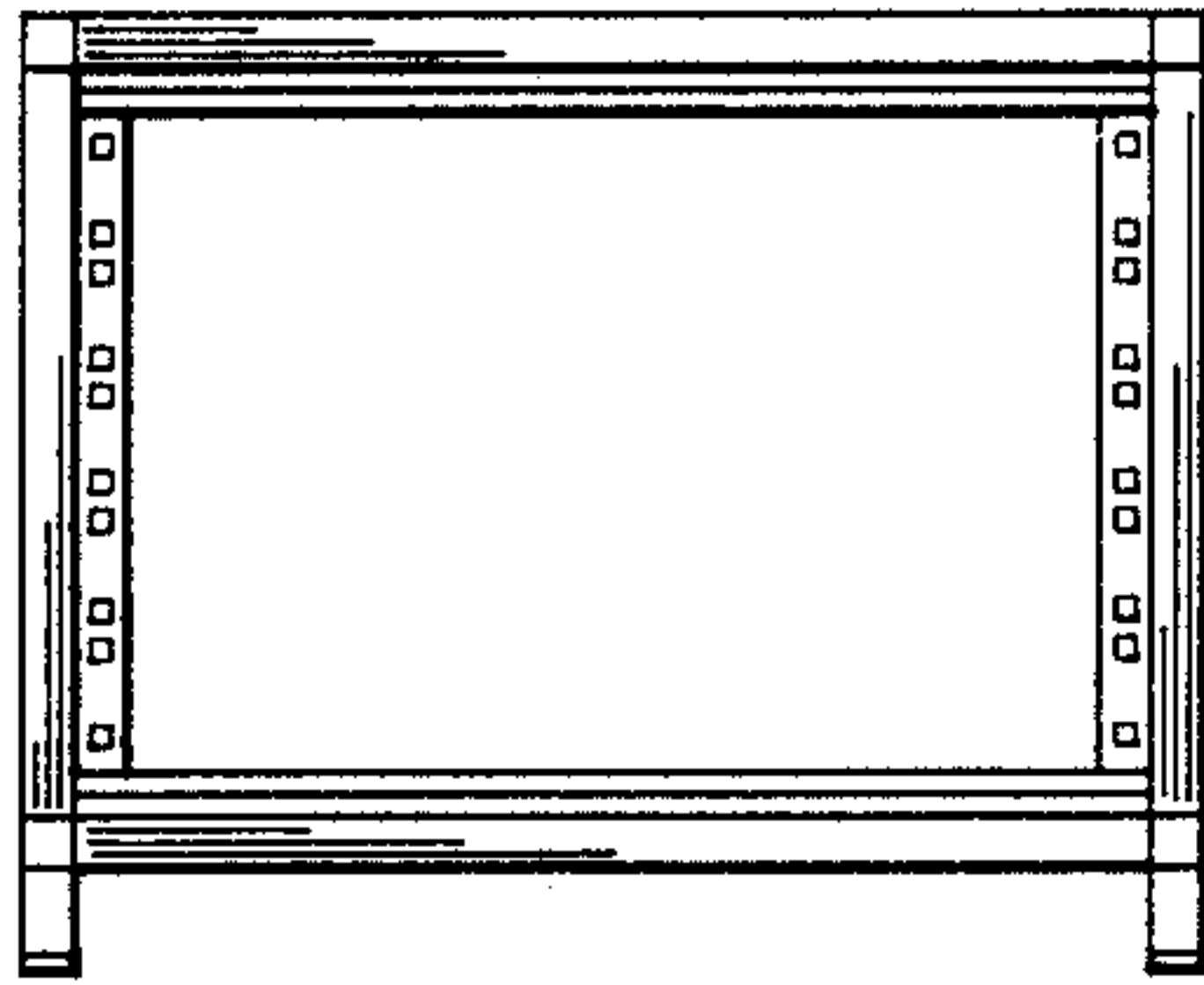


FIG. 18

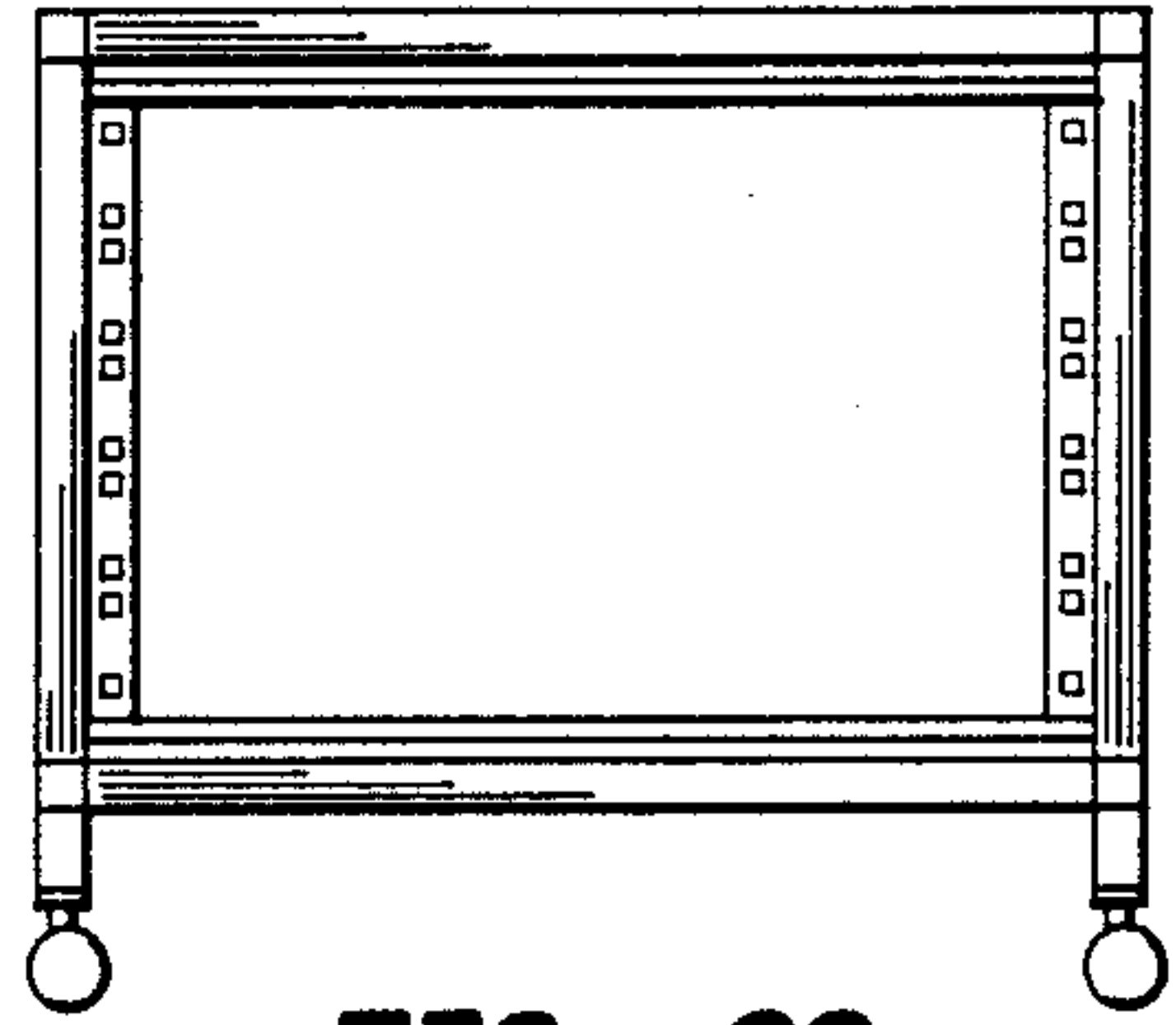


FIG. 22

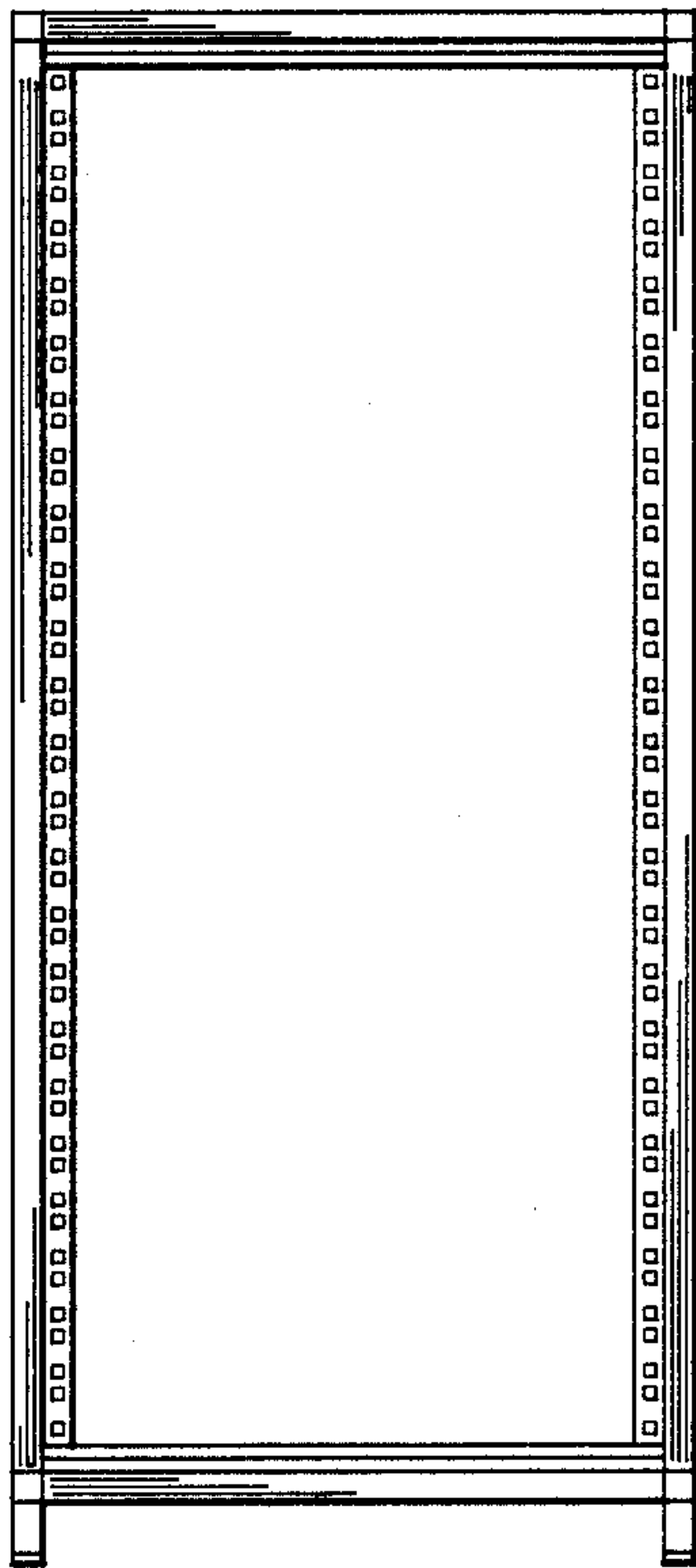


FIG. 19

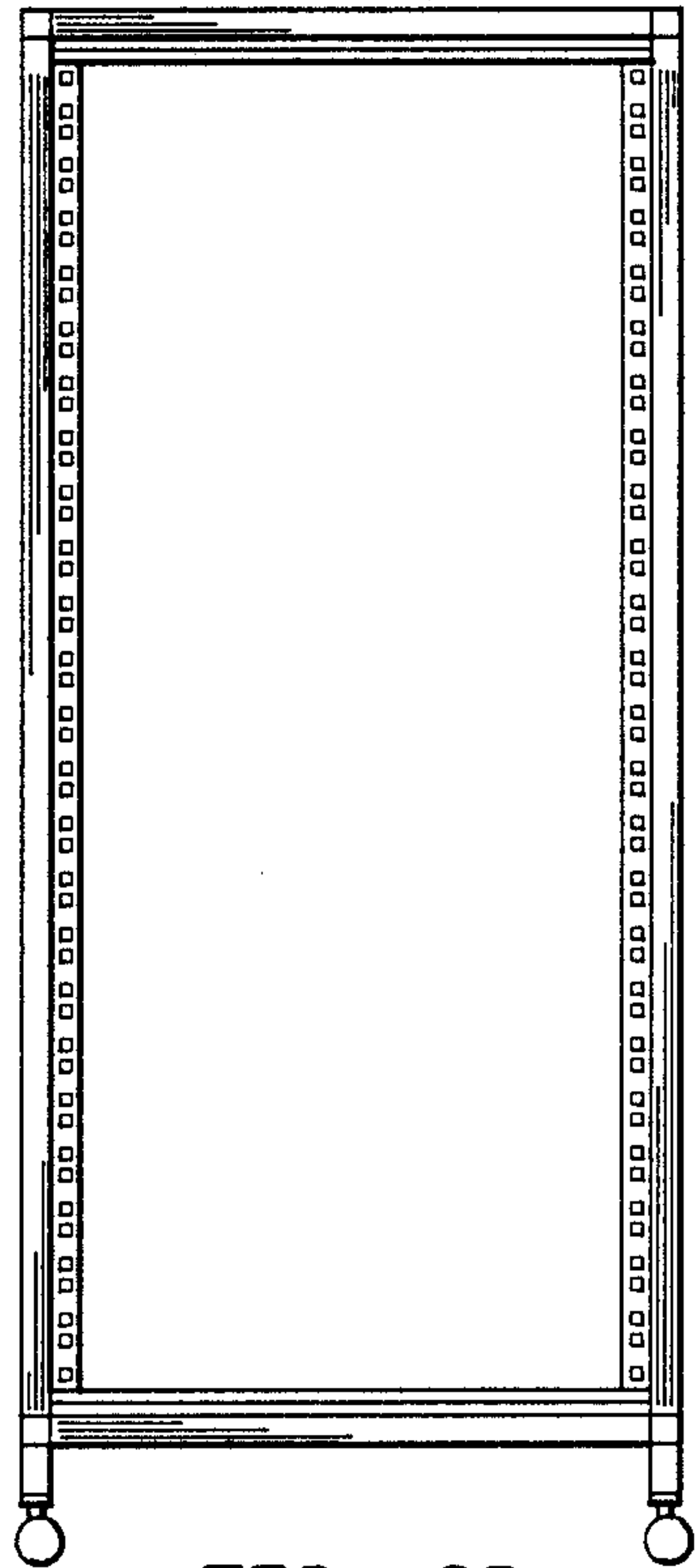


FIG. 23

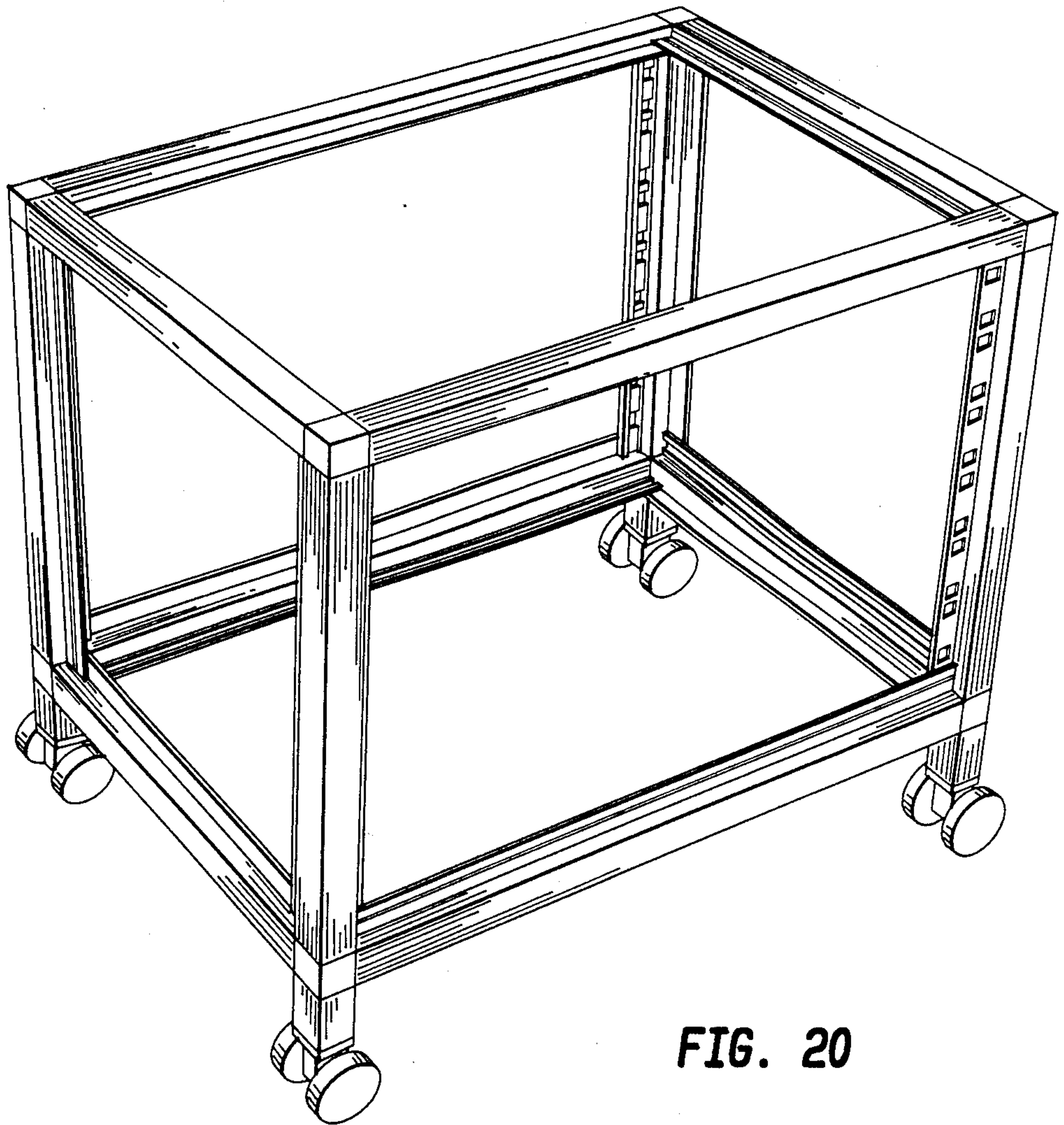


FIG. 20

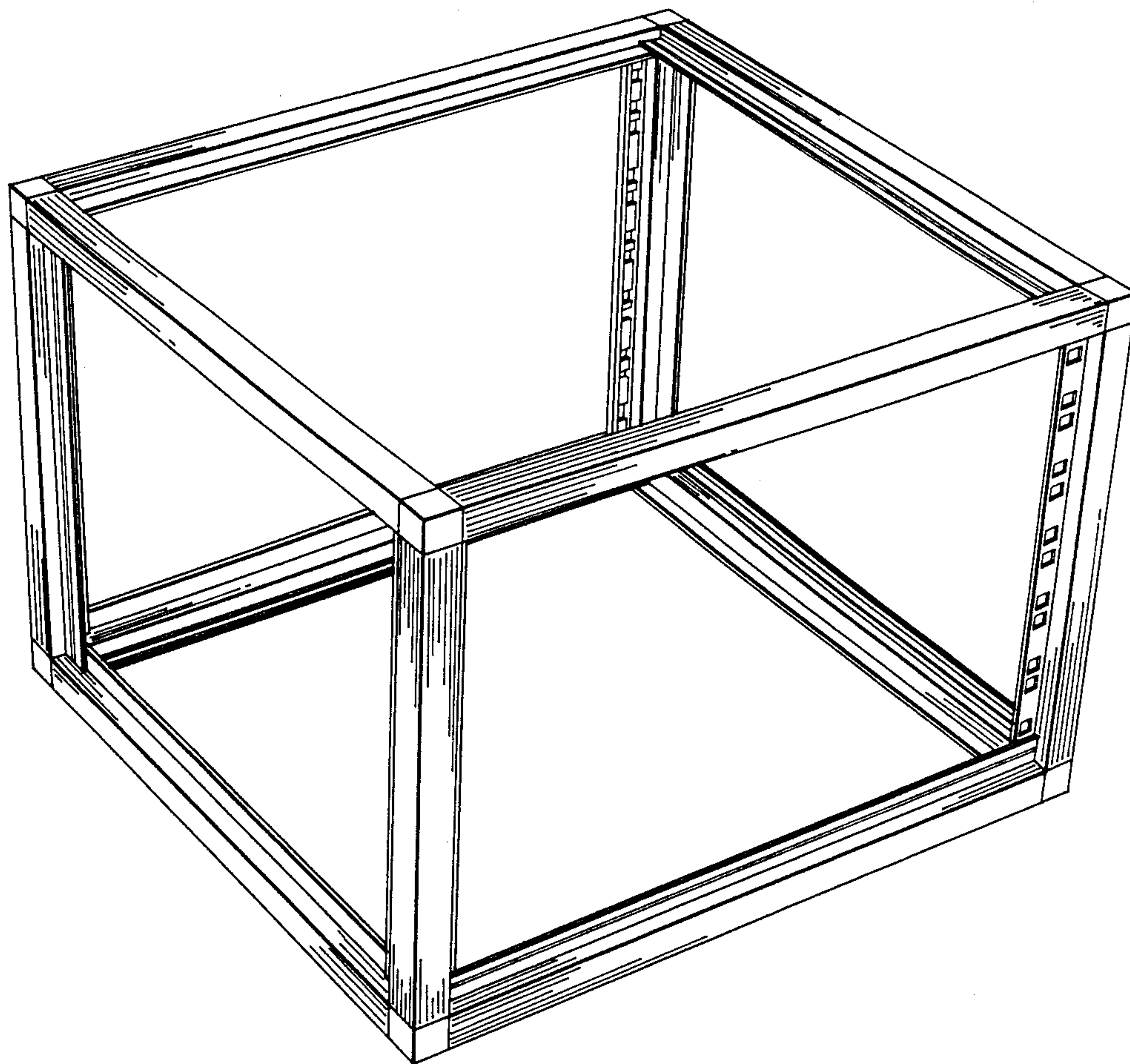


FIG. 24

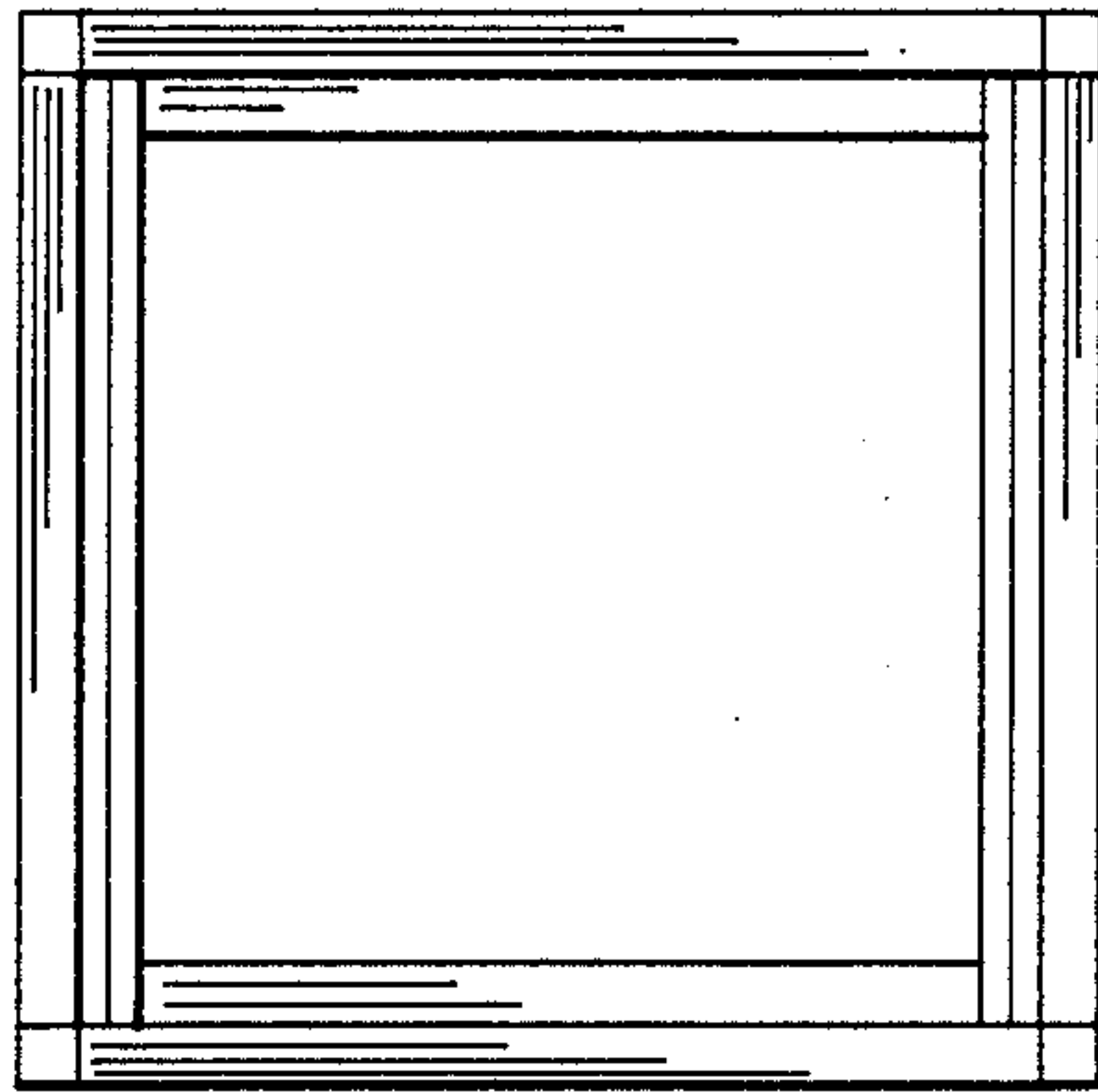


FIG. 25

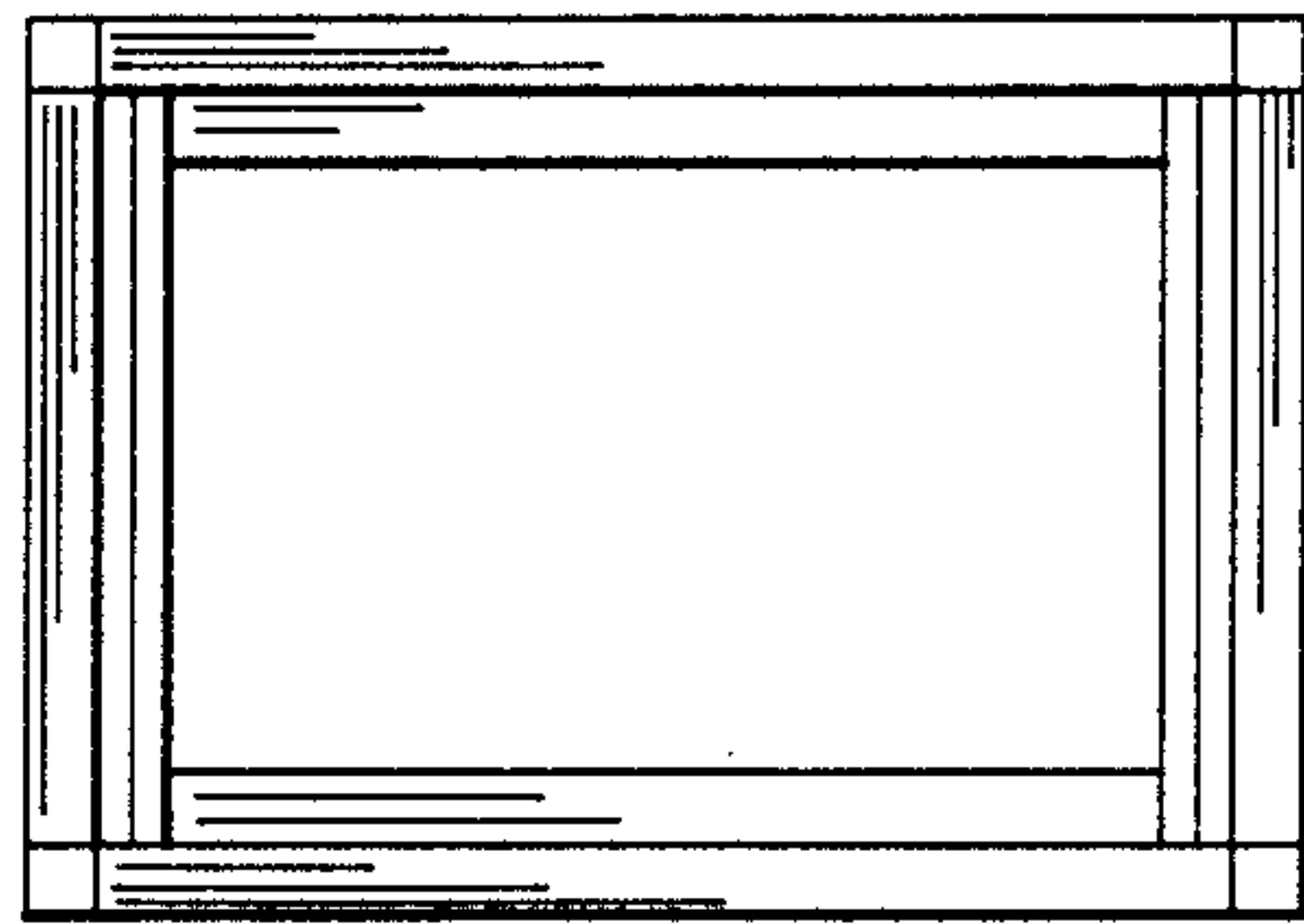


FIG. 26

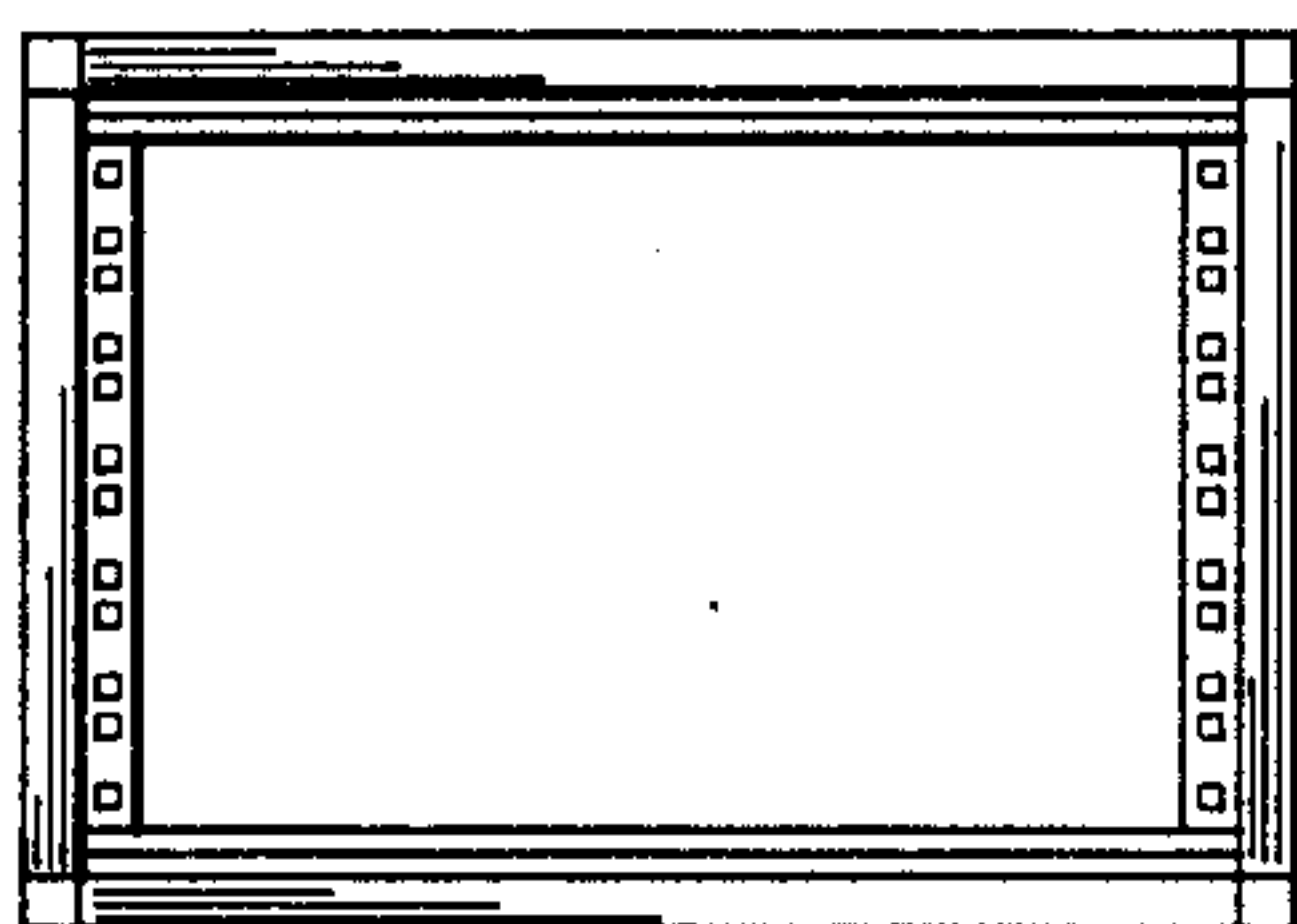


FIG. 27

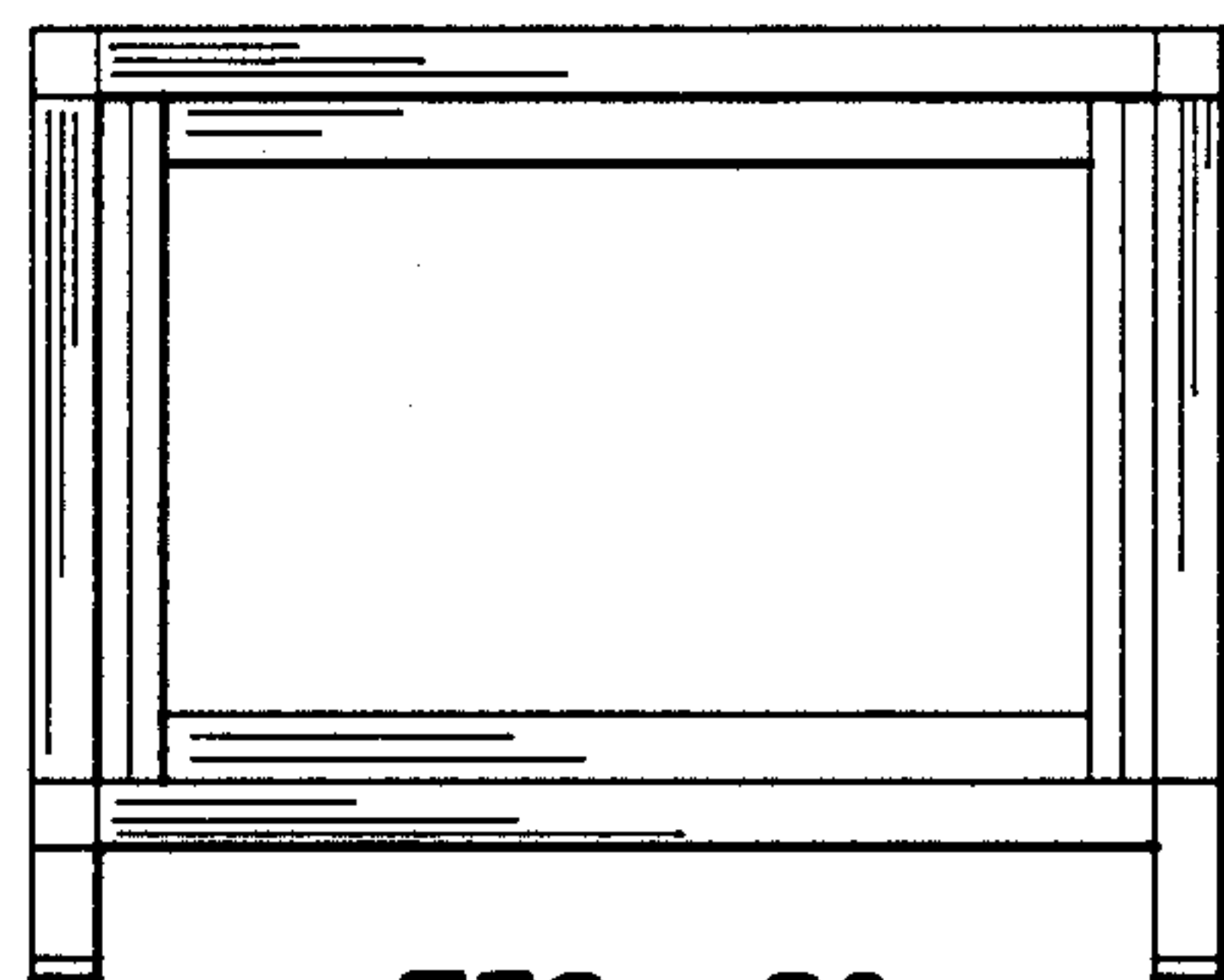


FIG. 30

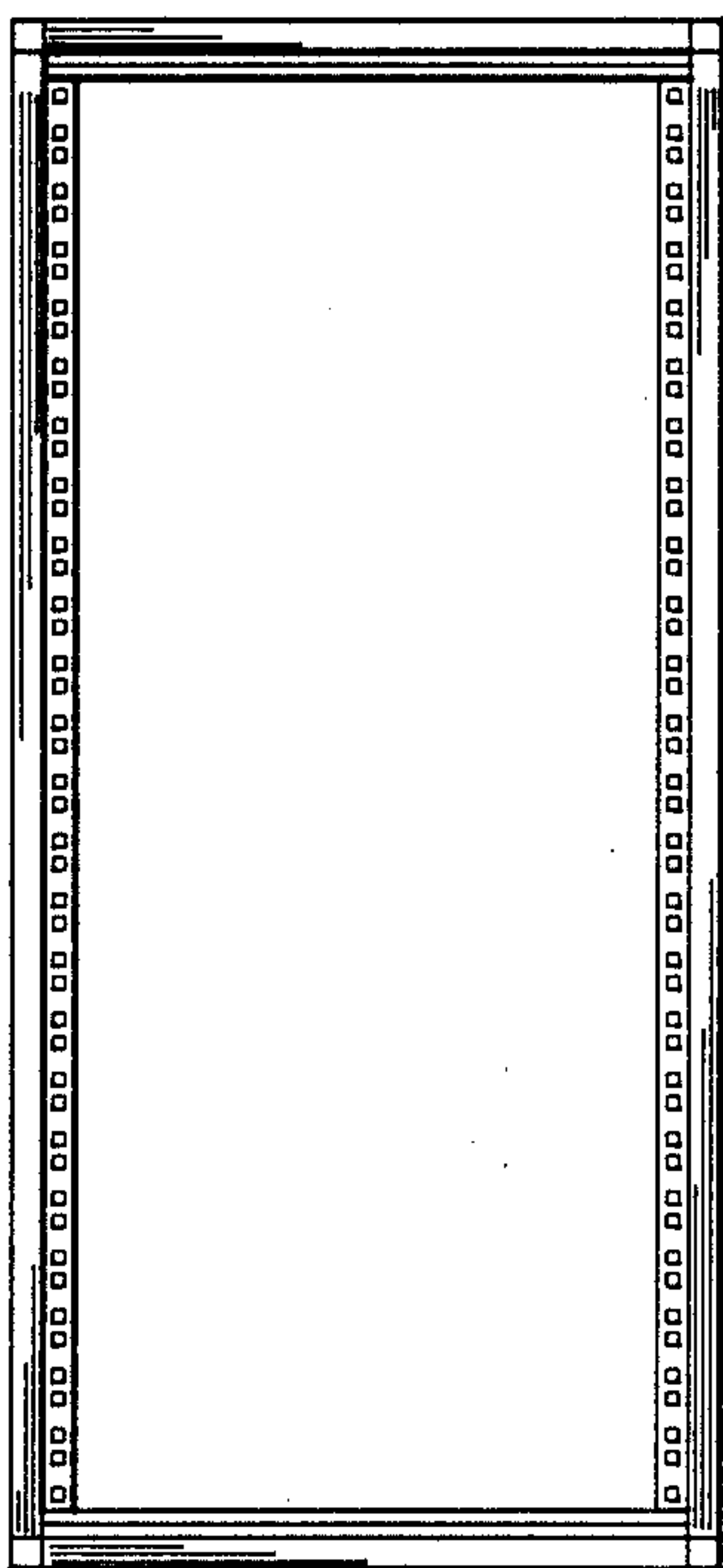


FIG. 28

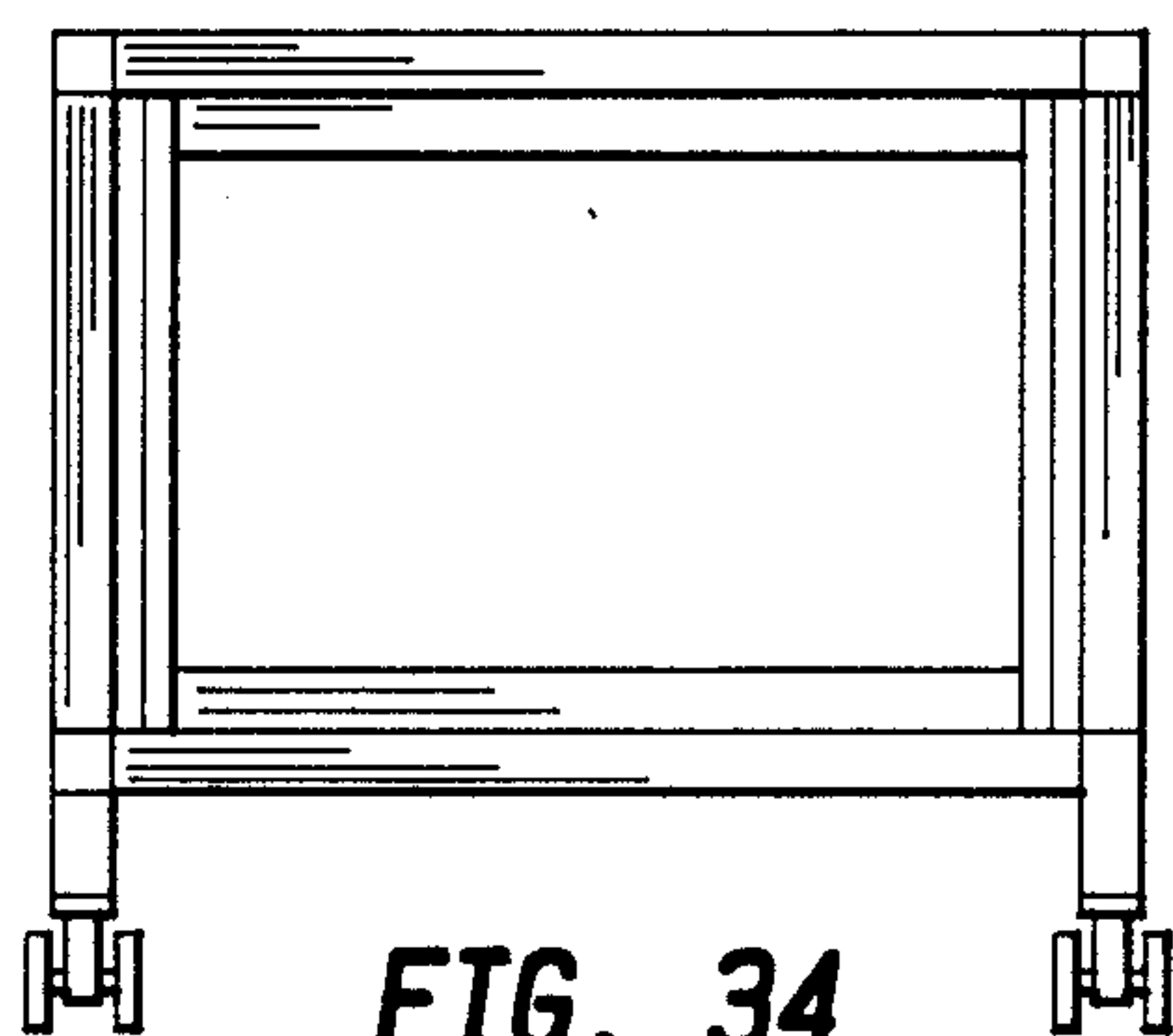


FIG. 34

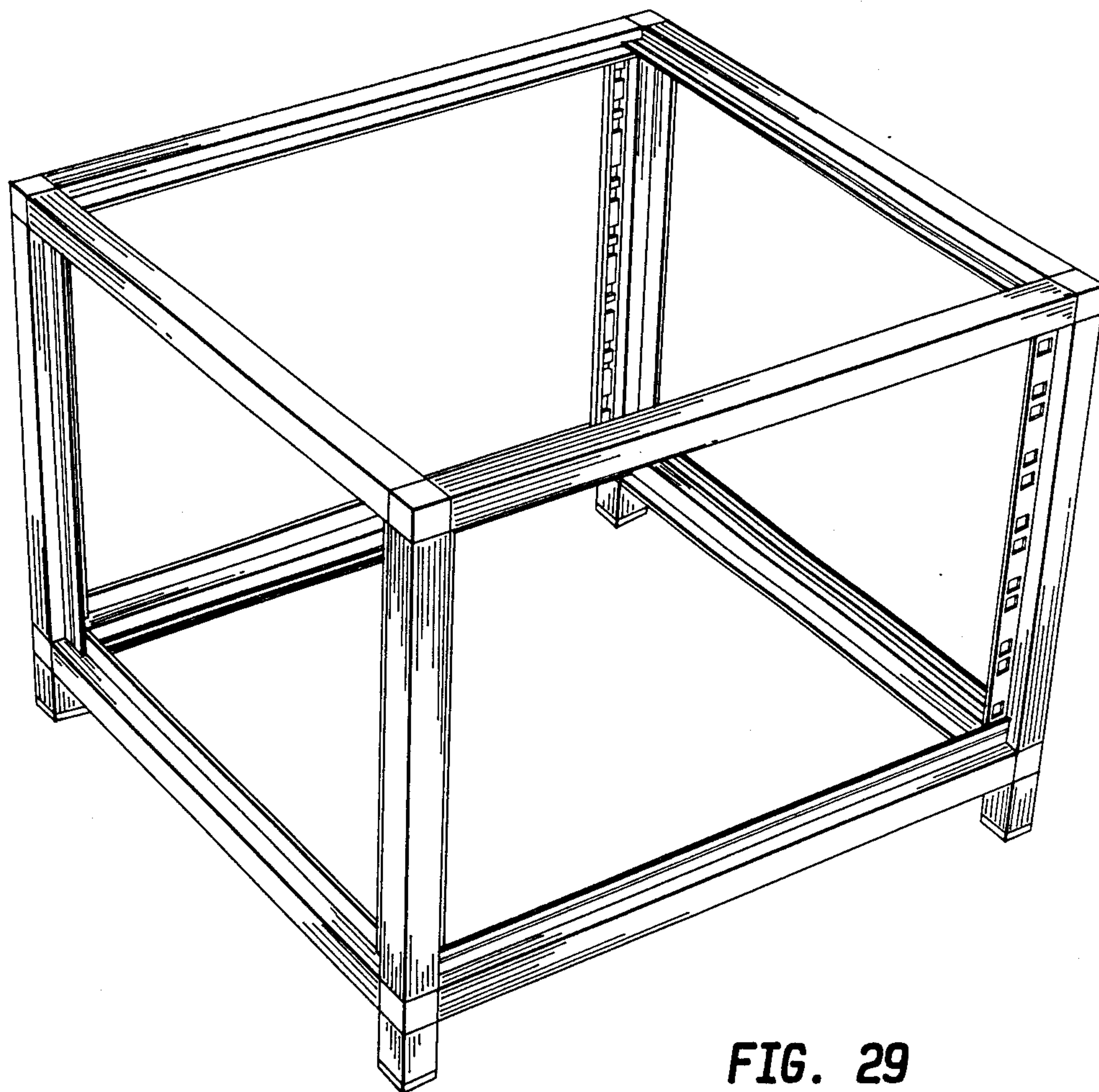


FIG. 29

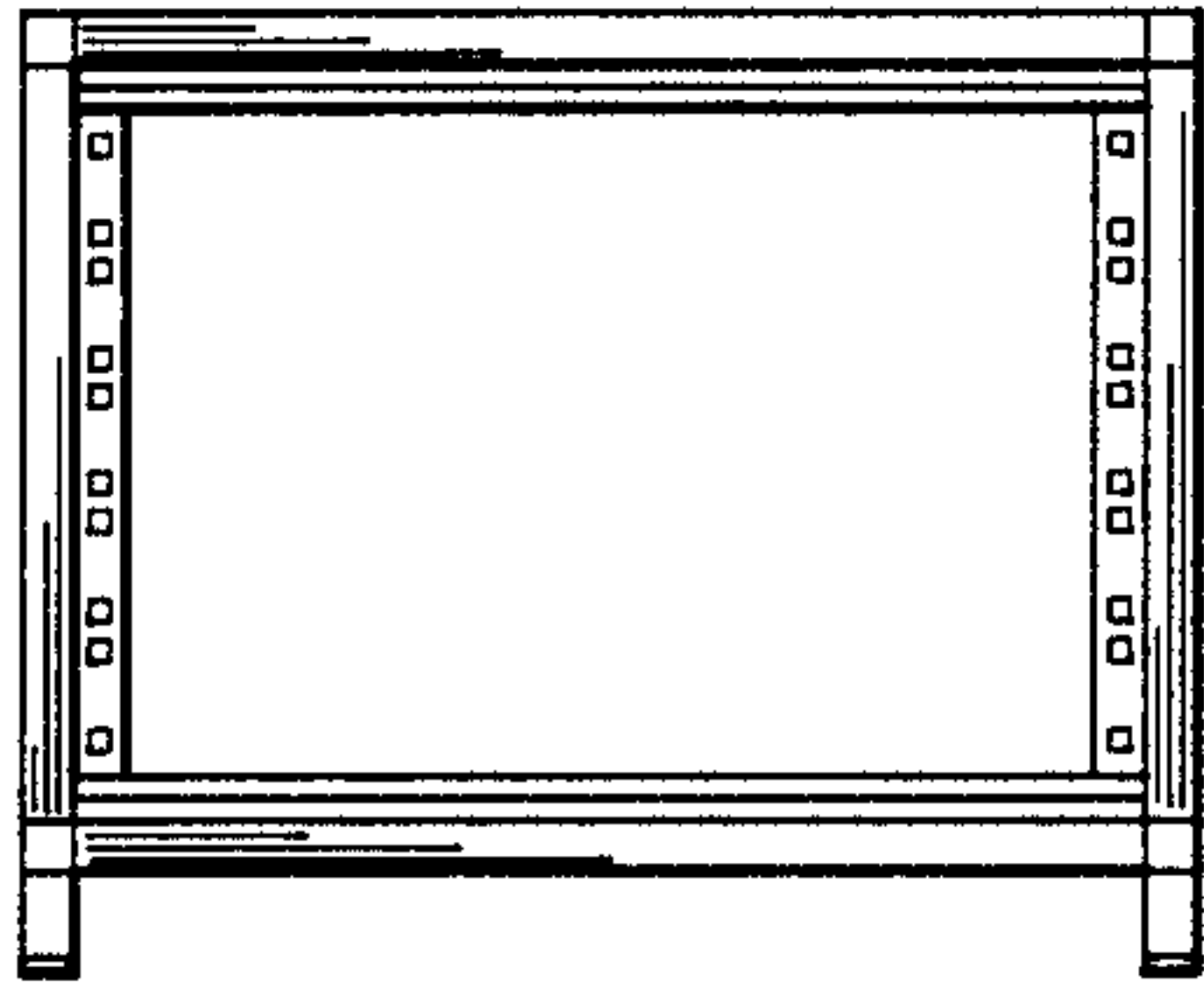


FIG. 31

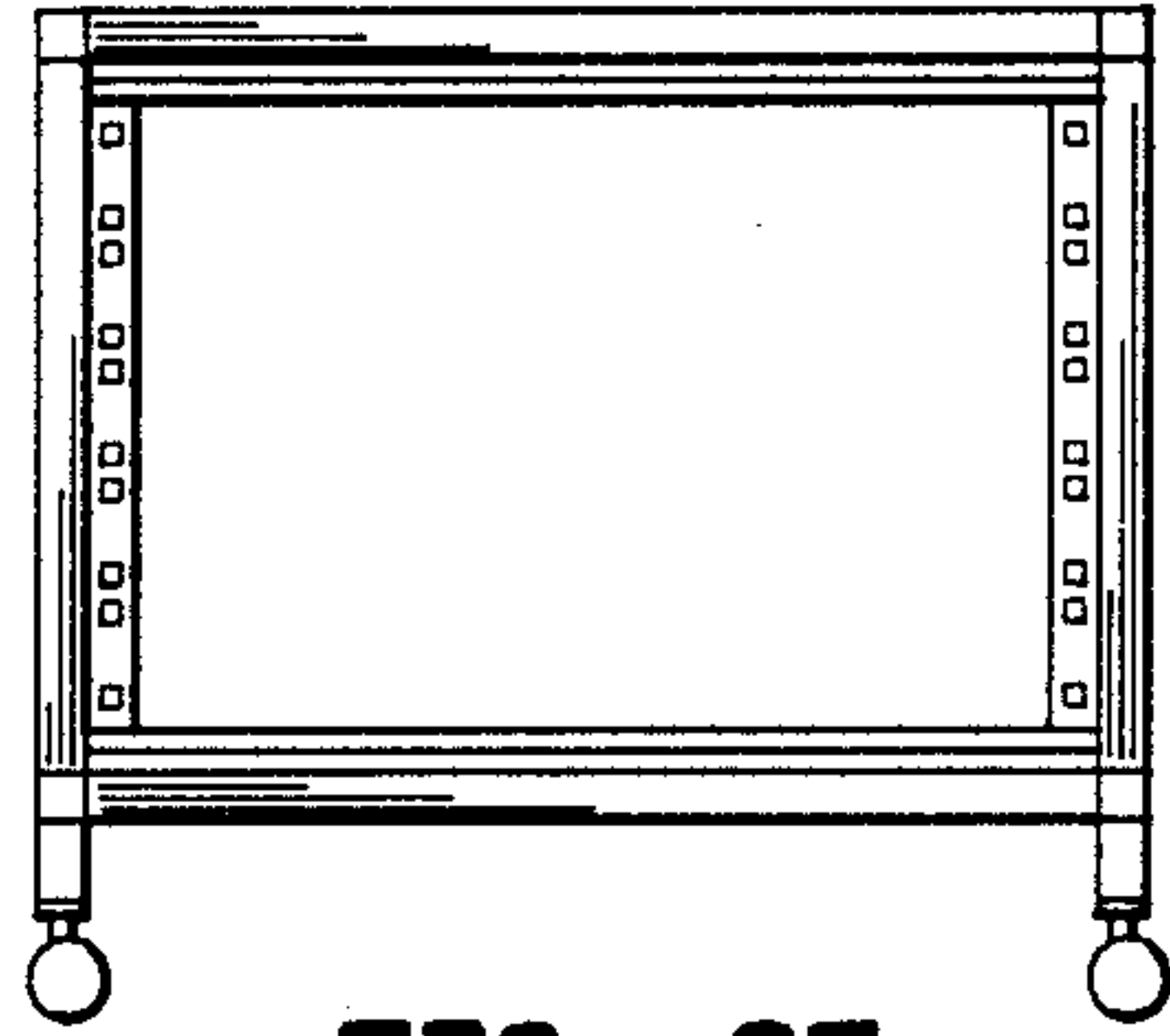


FIG. 35

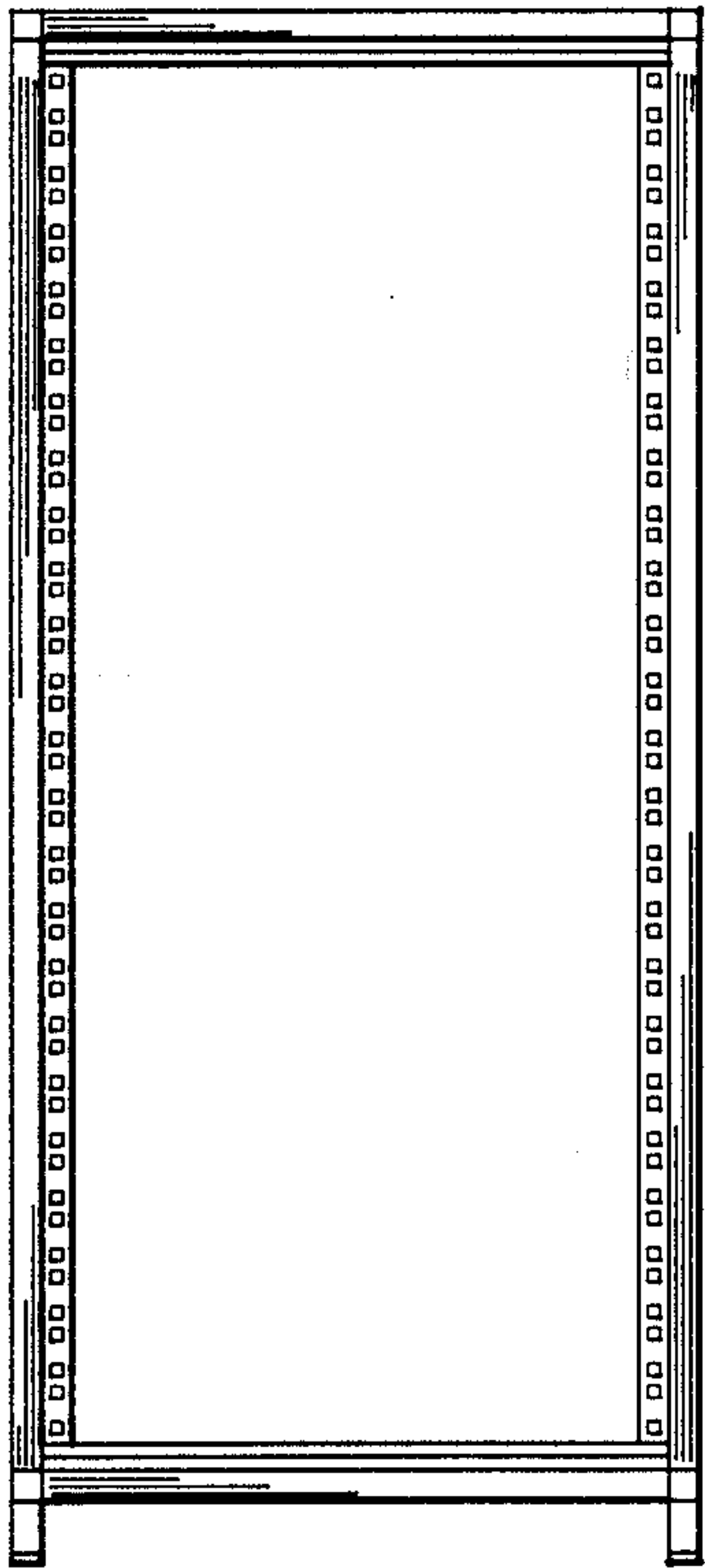


FIG. 32

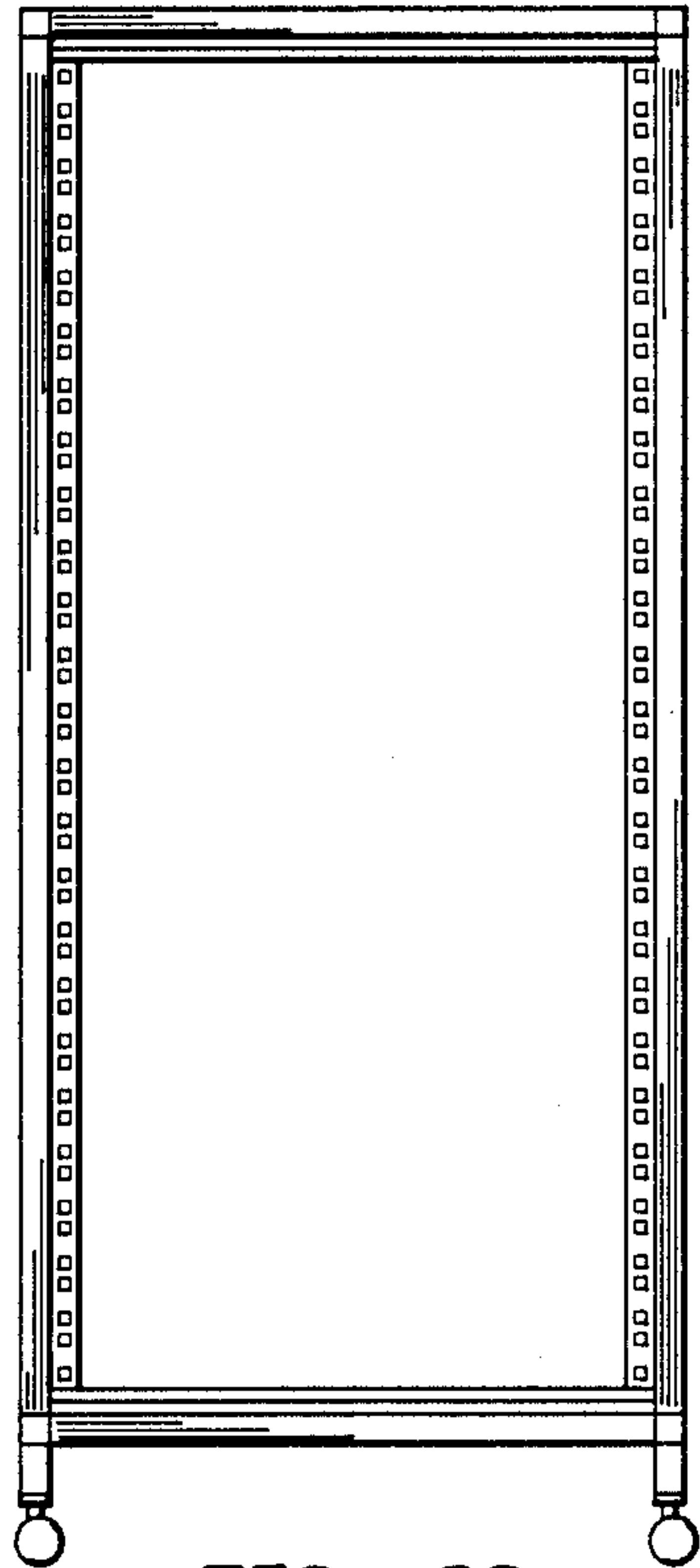


FIG. 36

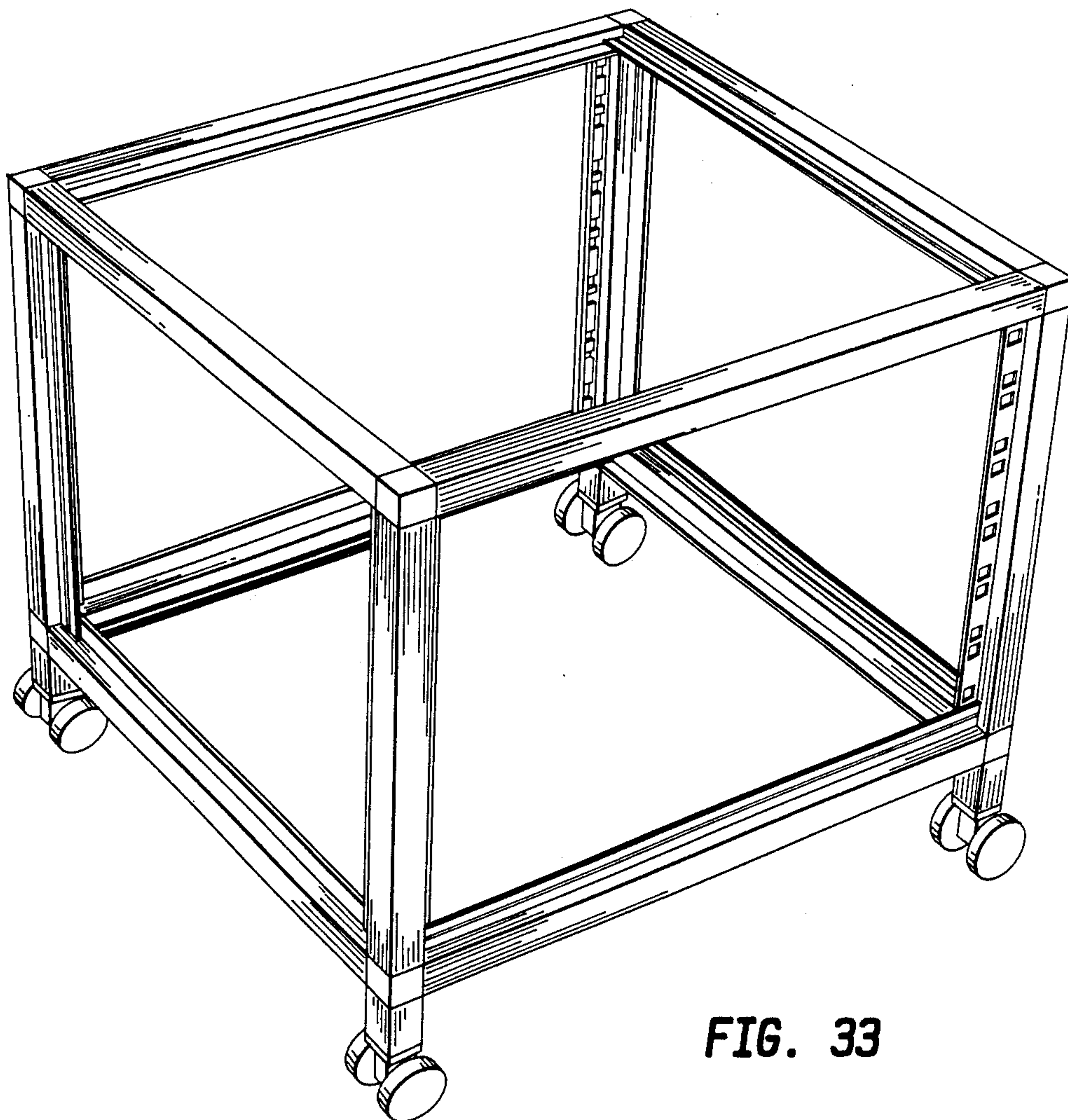


FIG. 33