

[54] **VANITY TABLE**

[75] **Inventor: H. Thomas Keller, High Point, N.C.**

[73] **Assignee: Rosalco, Inc., Louisville, Ky.**

[**] **Term: 14 Years**

[21] **Appl. No.: 416,128**

[22] **Filed: Oct. 2, 1989**

[52] **U.S. Cl. D6/397; D6/444**

[58] **Field of Search D6/397, 399, 444;
312/204, 224, 226**

Design Institute of America, 1983, Brown Book, #317B
Chairside Table.

Design Institute of America, 1983, Book #2, #601-B
Plant Stand.

Best Catalog, 1986-1987, p. 216, #1 and #6.

Primary Examiner—Bruce W. Dunkins

Assistant Examiner—Jeffrey Asch

Attorney, Agent, or Firm—Rhodes, Coats & Bennett

[57] **CLAIM**

The ornamental design for a vanity table, as shown and described.

DESCRIPTION

FIG. 1 is a front and left side perspective view of a vanity table showing my new design;

FIG. 2 is a right side elevational view thereof;

FIG. 3 is a top plan view thereof;

FIG. 4 is a front and right side perspective view showing a second embodiment of that shown in FIG. 1;

FIG. 5 is a front and left side elevational view showing a third embodiment of that shown in FIG. 1; and

FIG. 6 is a top plan view thereof.

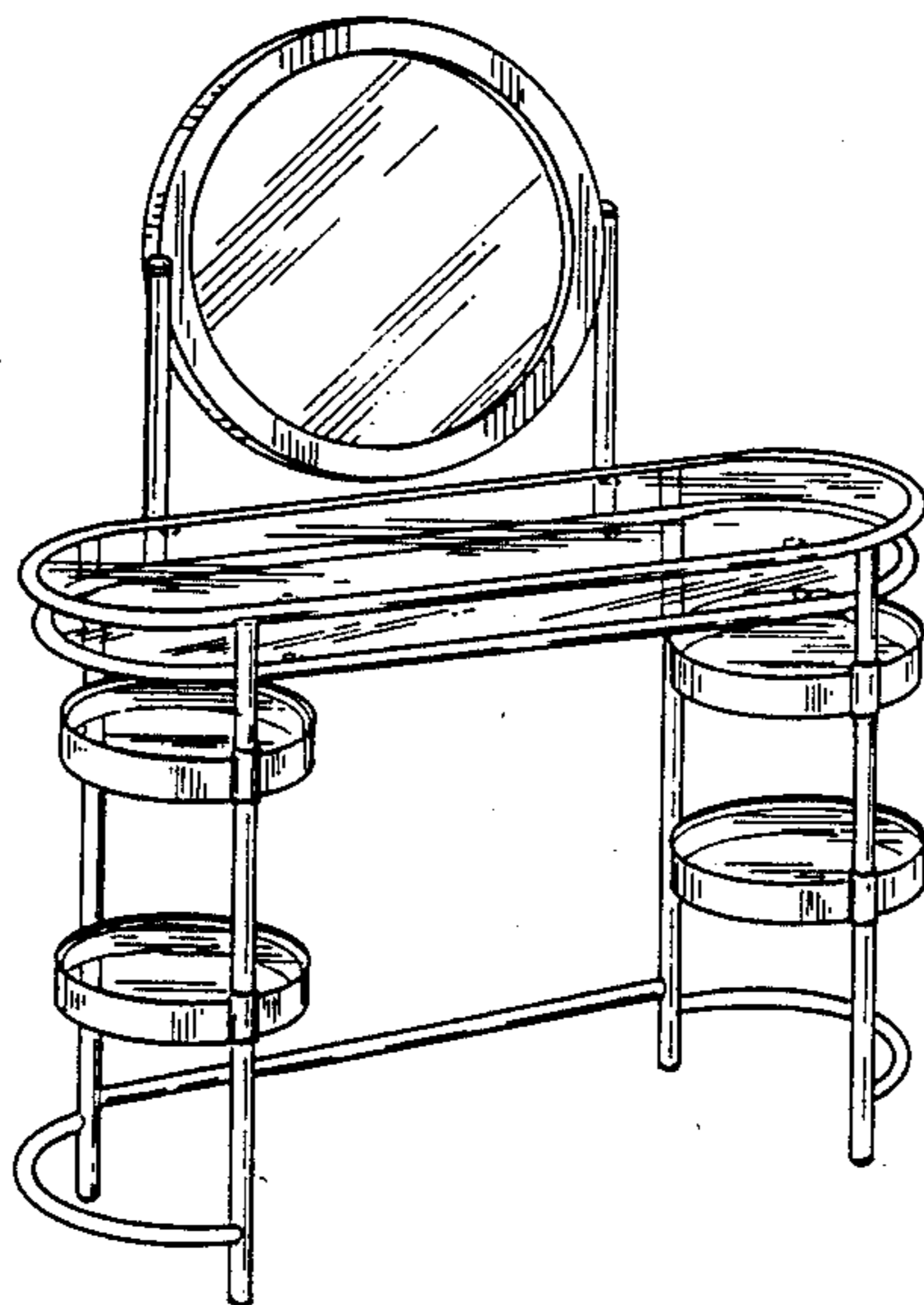
[56] **References Cited**

U.S. PATENT DOCUMENTS

- D. 260,210 8/1981 Gibson D6/444 X
- D. 302,217 7/1989 Keller D6/397
- 2,009,224 7/1935 Farrar 312/224 X

OTHER PUBLICATIONS

Design Institute of America, 1983, p. 60, No. 877 and 878.



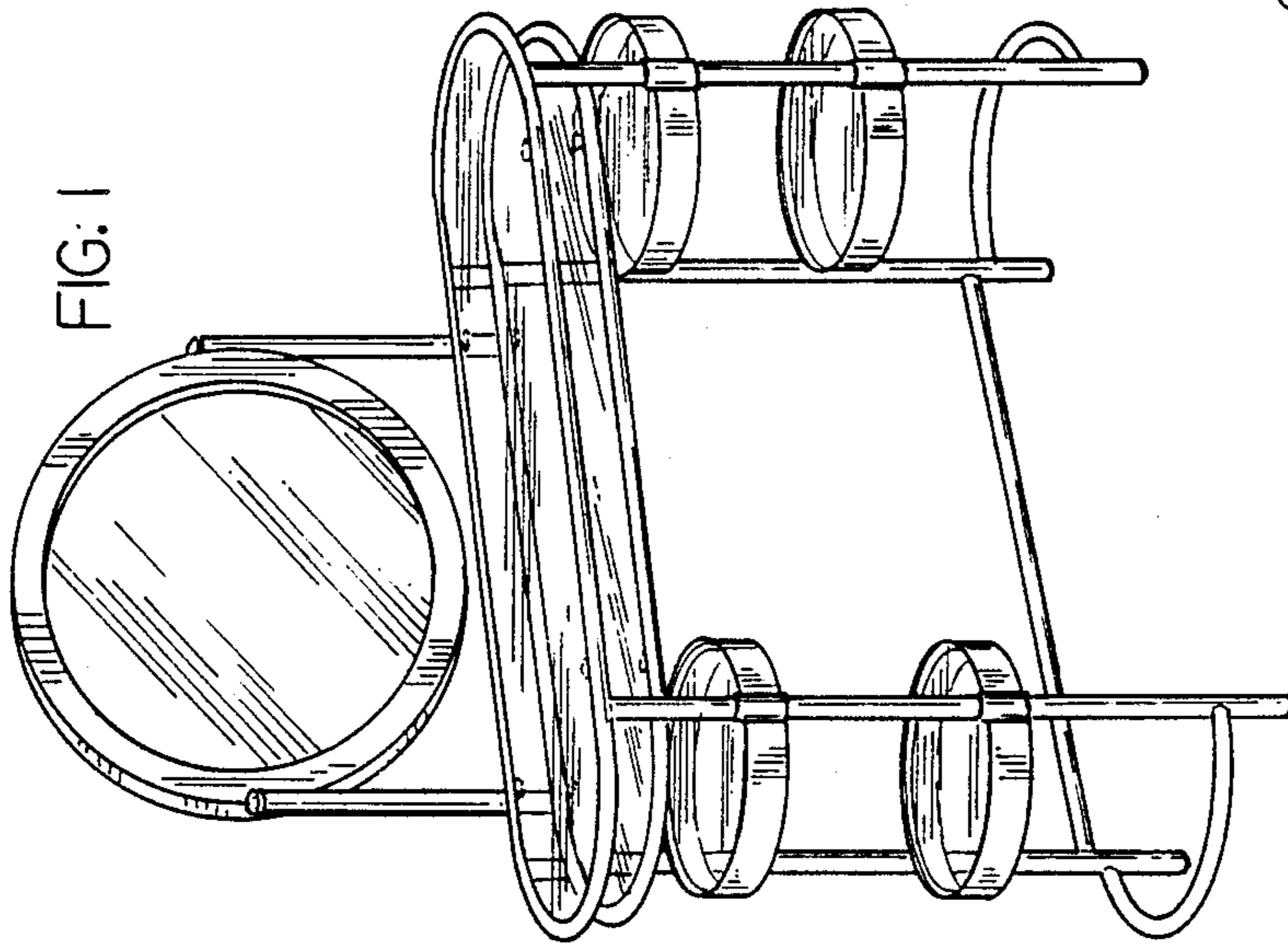


FIG. 1

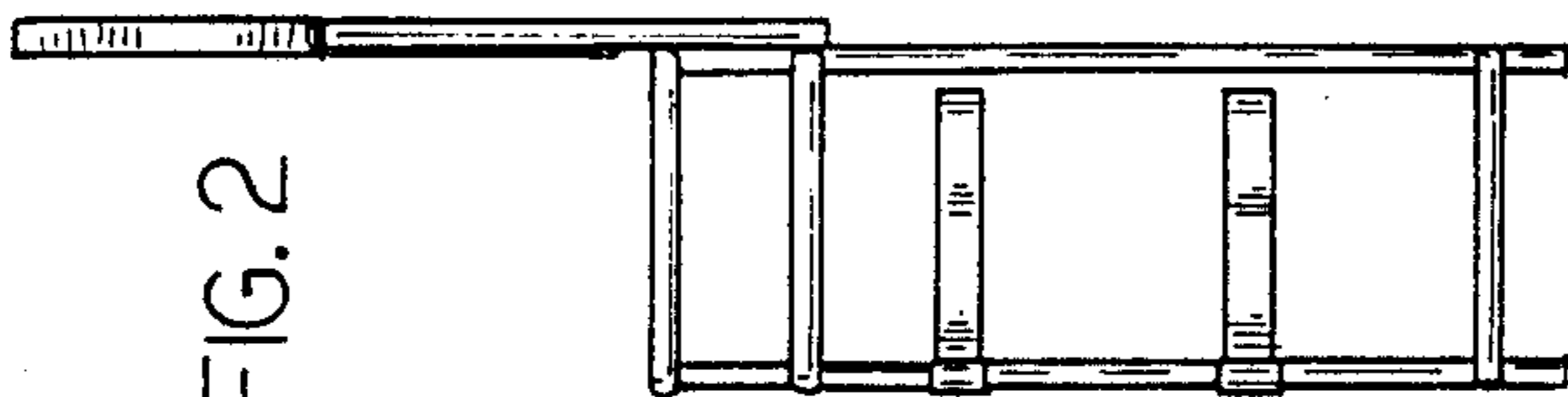


FIG. 2

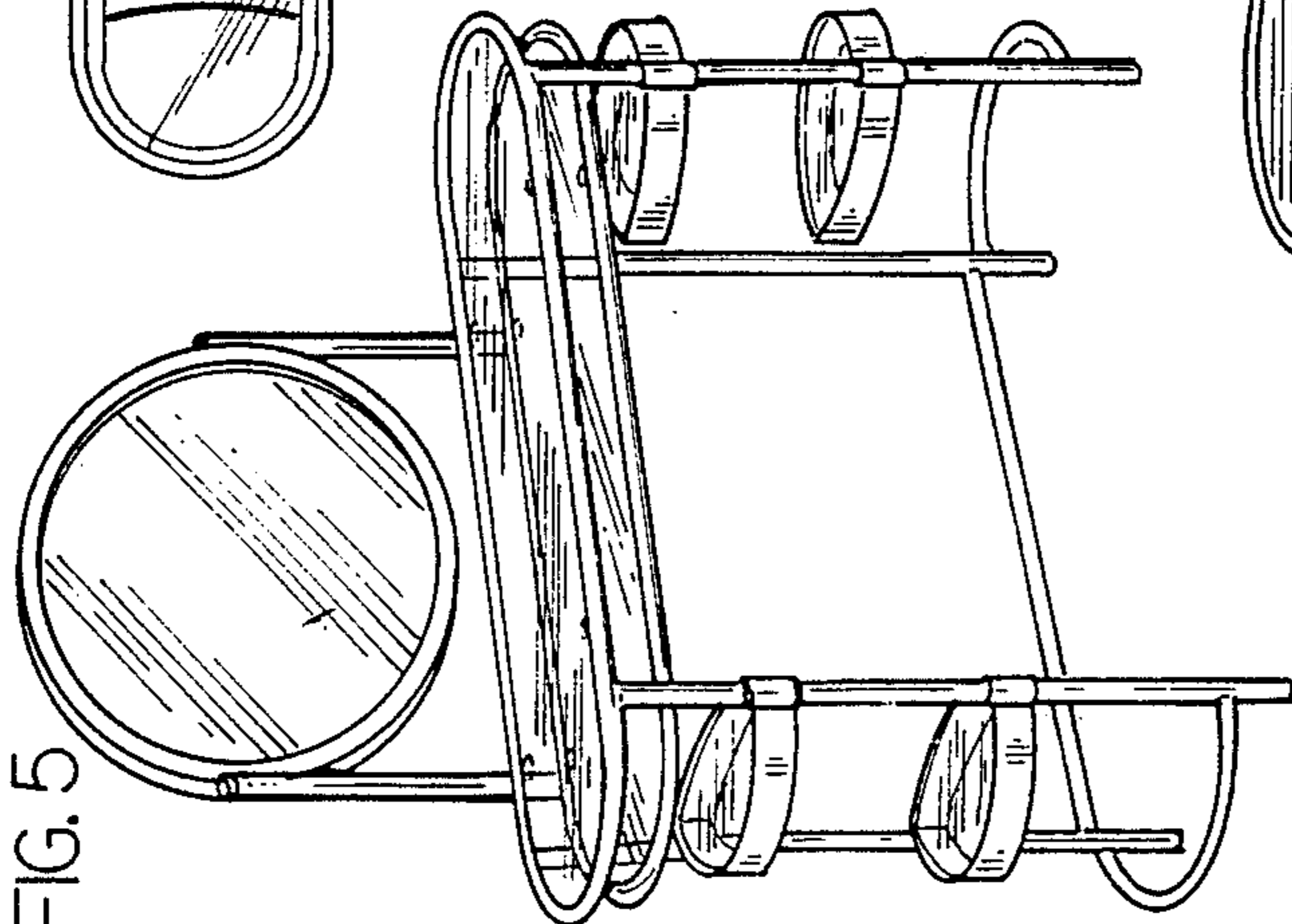


FIG. 3

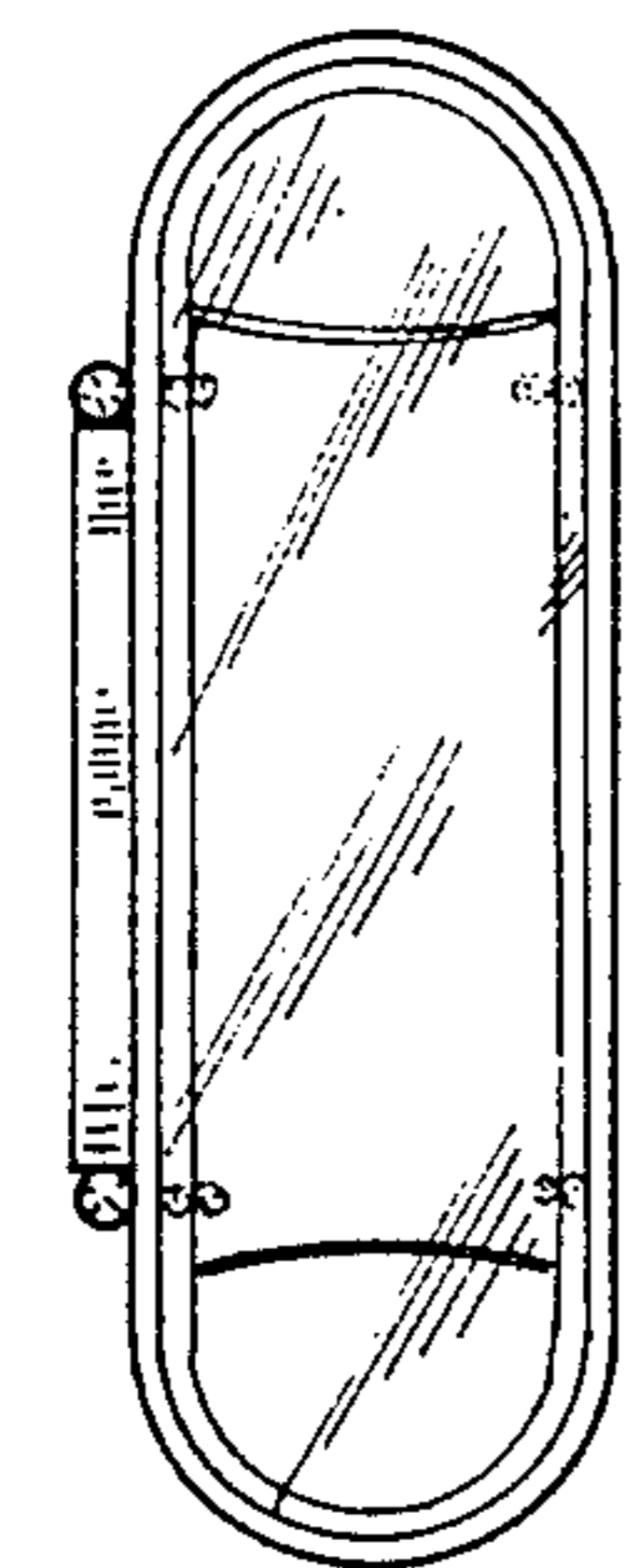


FIG. 4

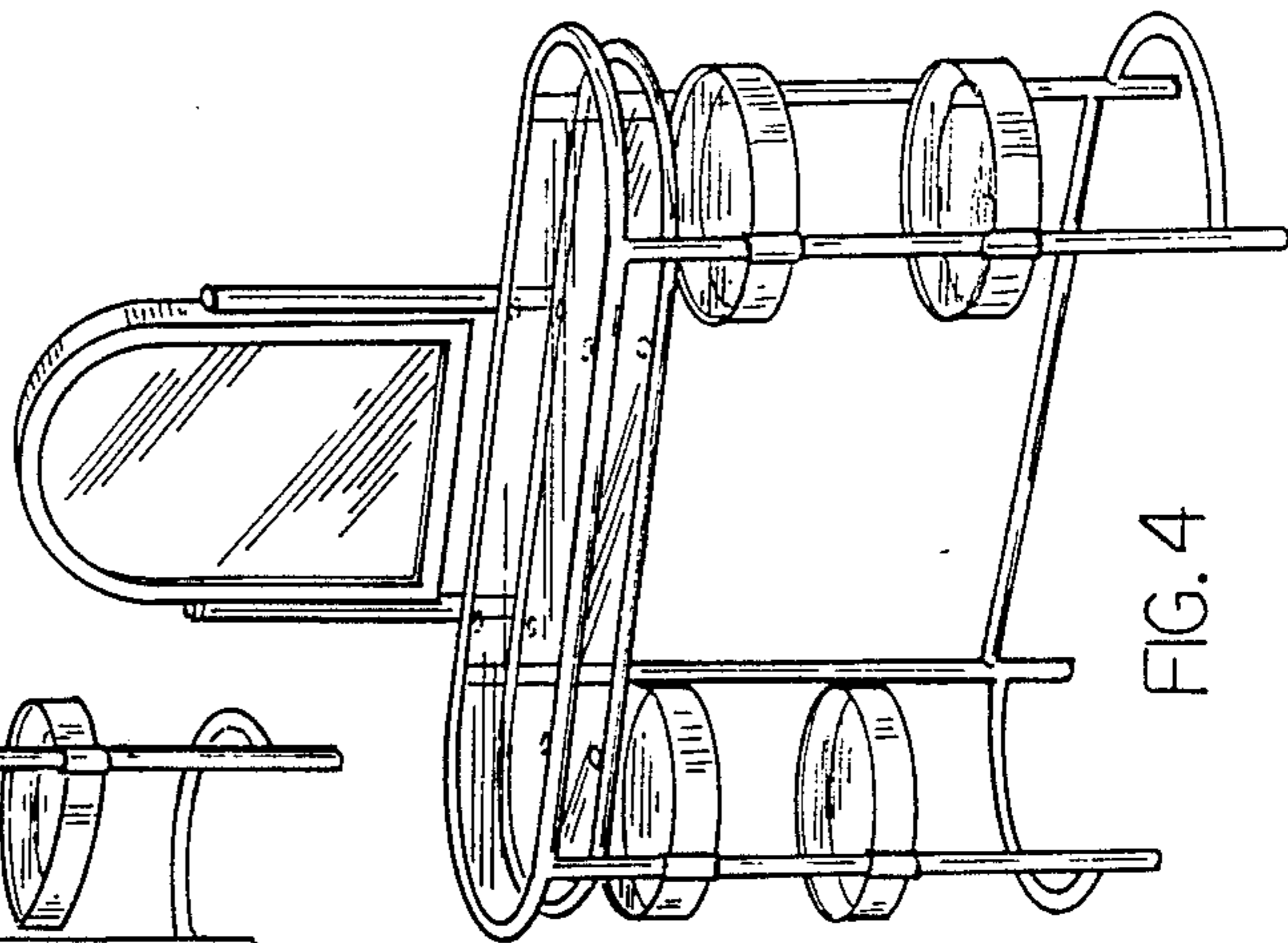


FIG. 5

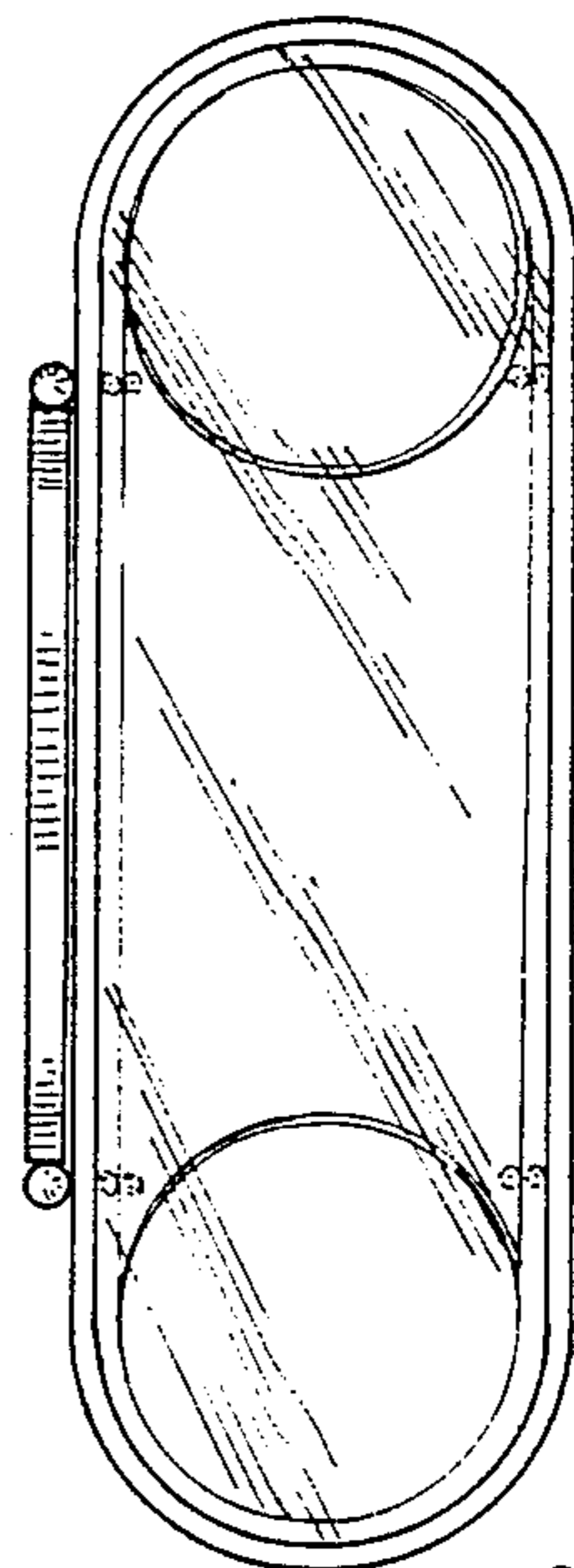


FIG. 6